



US00D364180S

United States Patent [19] Park

[11] Patent Number: **Des. 364,180**

[45] Date of Patent: ****Nov. 14, 1995**

[54] SEARCH CAMERA

4,344,092 8/1982 Miller 348/373
4,389,675 6/1983 Suzuki et al. 348/376

[76] Inventor: **Scott Park**, 4117 Rio Del Norte,
Bakersfield, Calif. 93308

Primary Examiner—Theodore M. Shooman
Assistant Examiner—Adir Aronovich
Attorney, Agent, or Firm—James E. Brunton

[**] Term: **14 Years**

[21] Appl. No.: **28,411**

[57] **CLAIM**

[22] Filed: **Sep. 14, 1994**

The ornamental design for a search camera, as shown.

[52] U.S. Cl. **D16/202; D16/201**

DESCRIPTION

[58] **Field of Search** D16/200-206;
354/75, 76; 348/82-85, 373-376; 358/906;
H04N 5/225

FIG. 1 is a perspective view of a search camera showing my new design;

FIG. 2 is a front elevational view thereof;

FIG. 3 is a rear elevational view thereof;

FIG. 4 is a right-hand side elevational view thereof;

FIG. 5 is a left-hand side elevational view thereof;

FIG. 6 is a top plan view thereof; and,

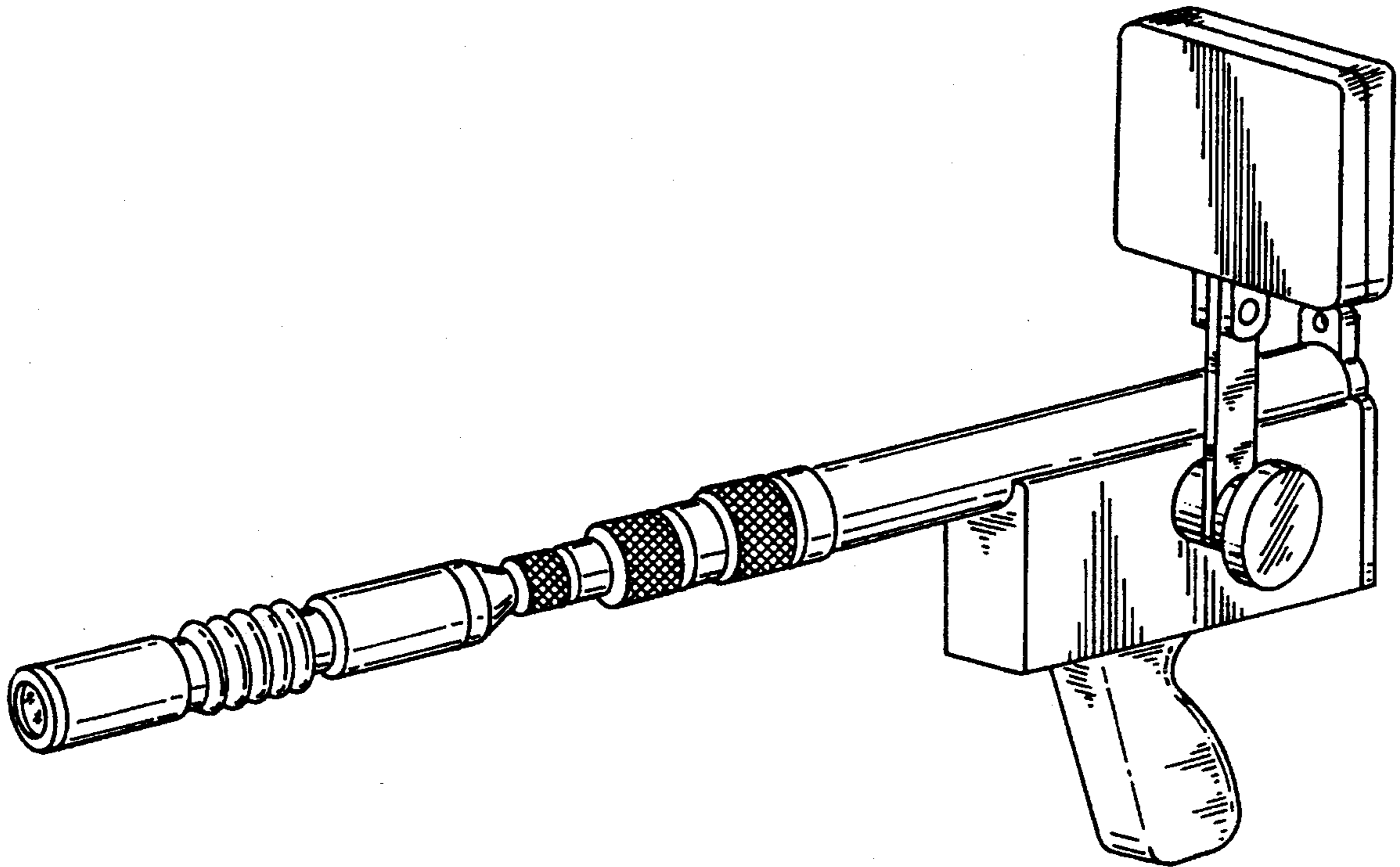
FIG. 7 is a bottom plan view thereof.

[56] **References Cited**

U.S. PATENT DOCUMENTS

D. 207,912 6/1967 Ryan D16/206
D. 261,140 10/1981 Ikeda D16/202
D. 348,683 7/1994 Park D16/202
3,764,736 10/1973 Kosky et al. 348/83

1 Claim, 3 Drawing Sheets



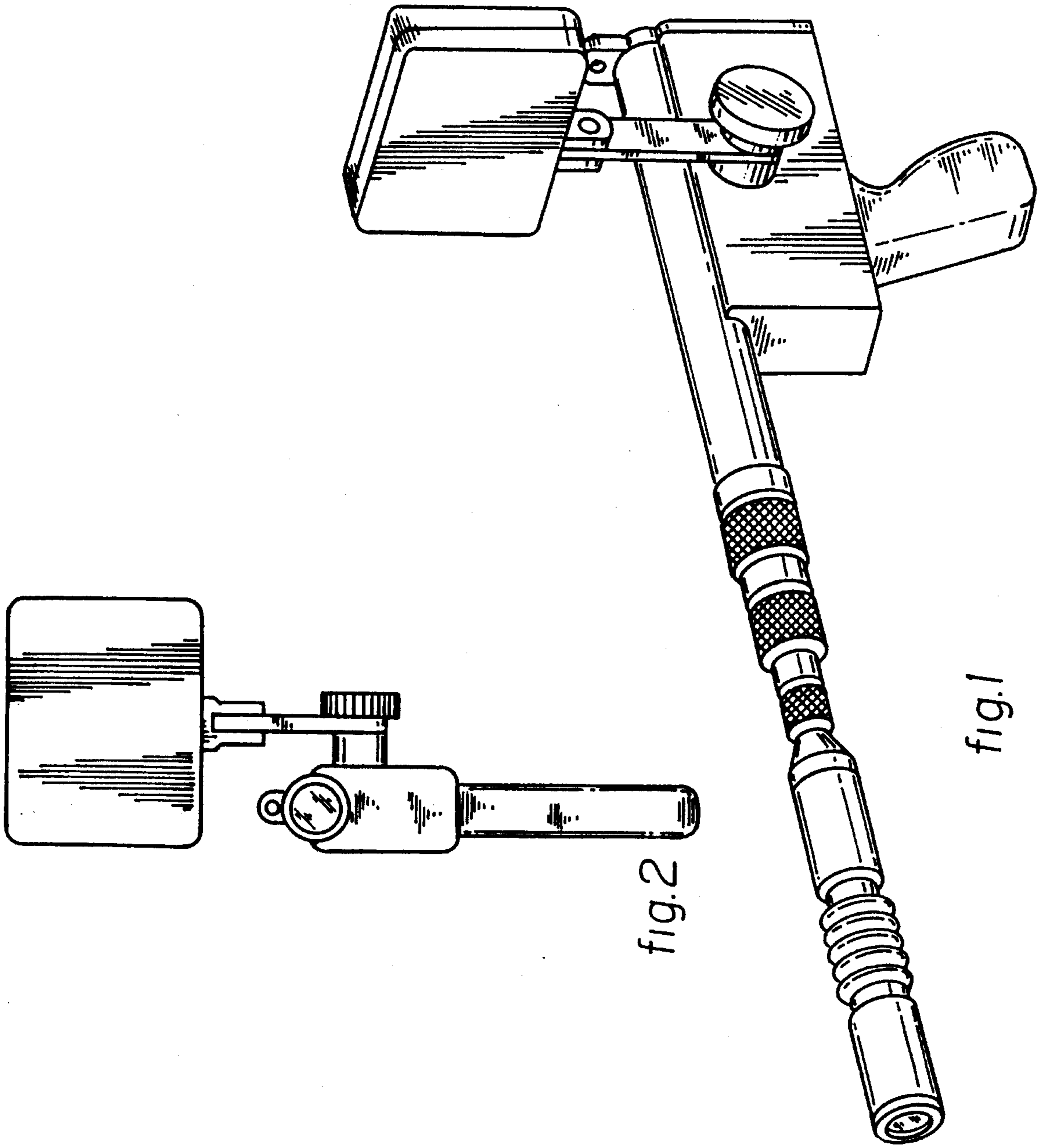


fig.1

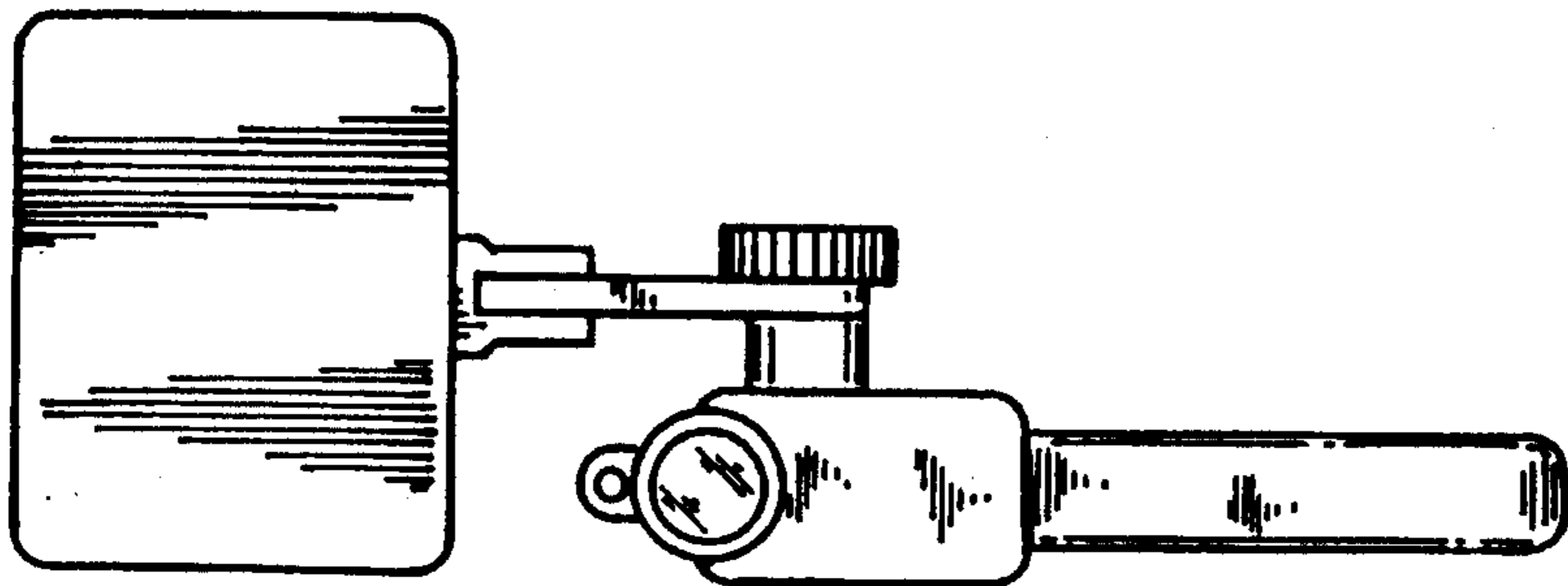


fig.2

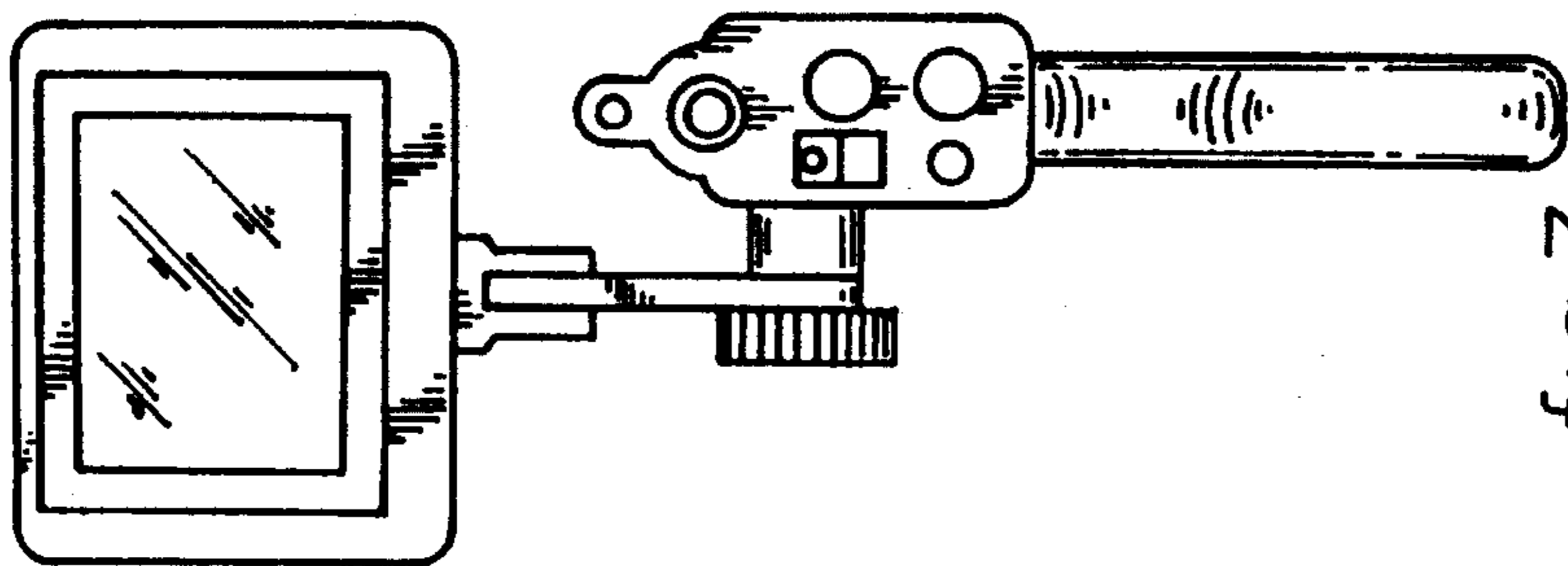


fig.3

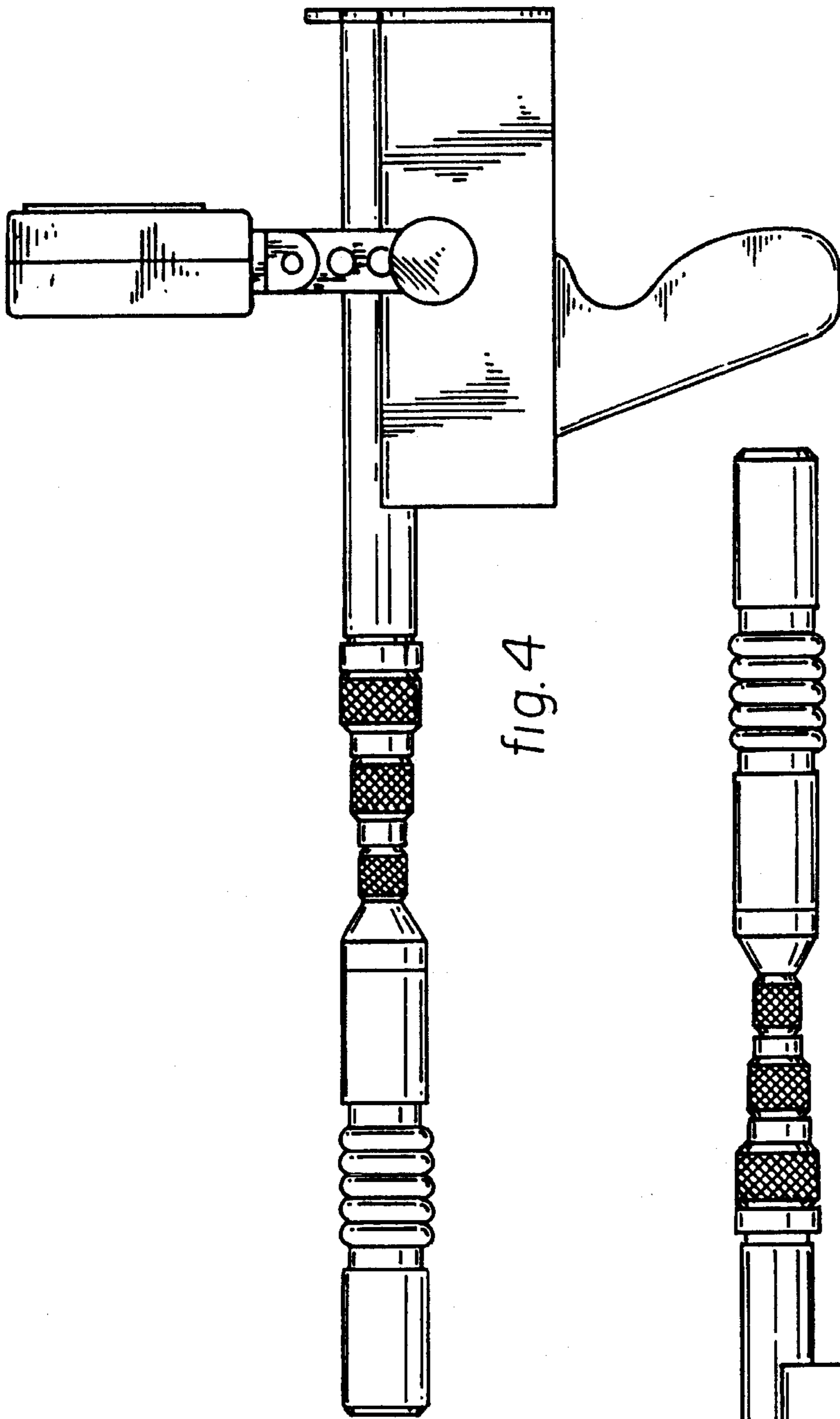


fig. 4

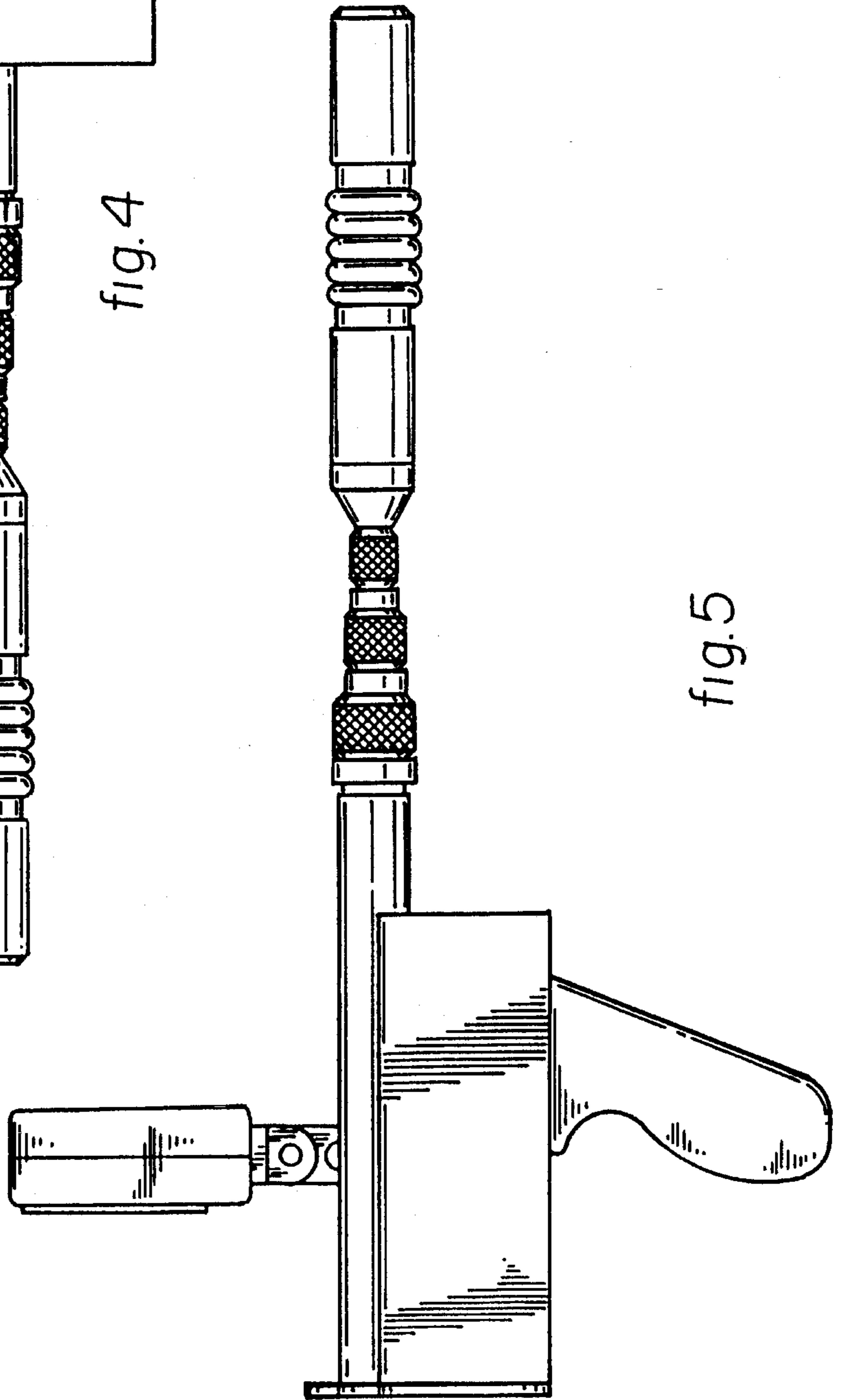


fig. 5

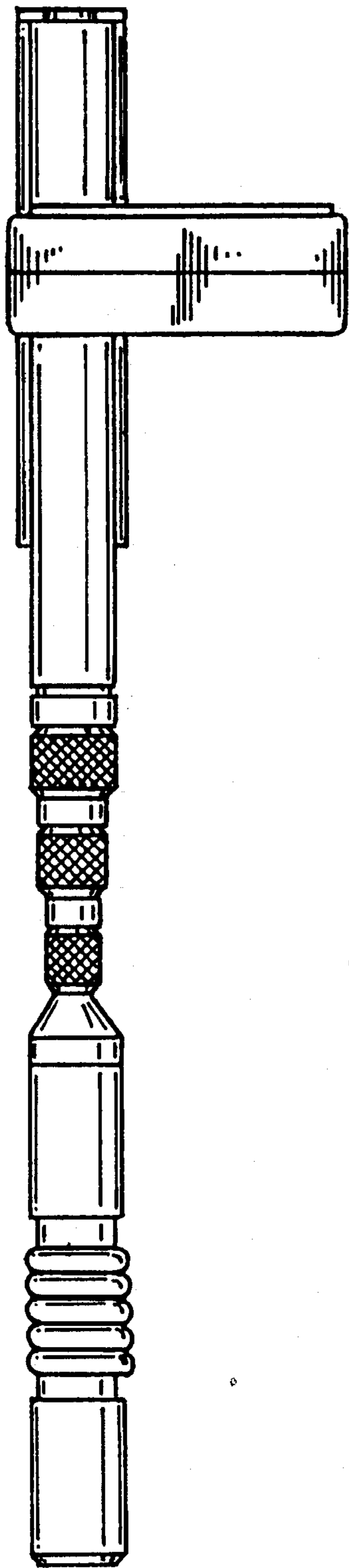


fig. 6

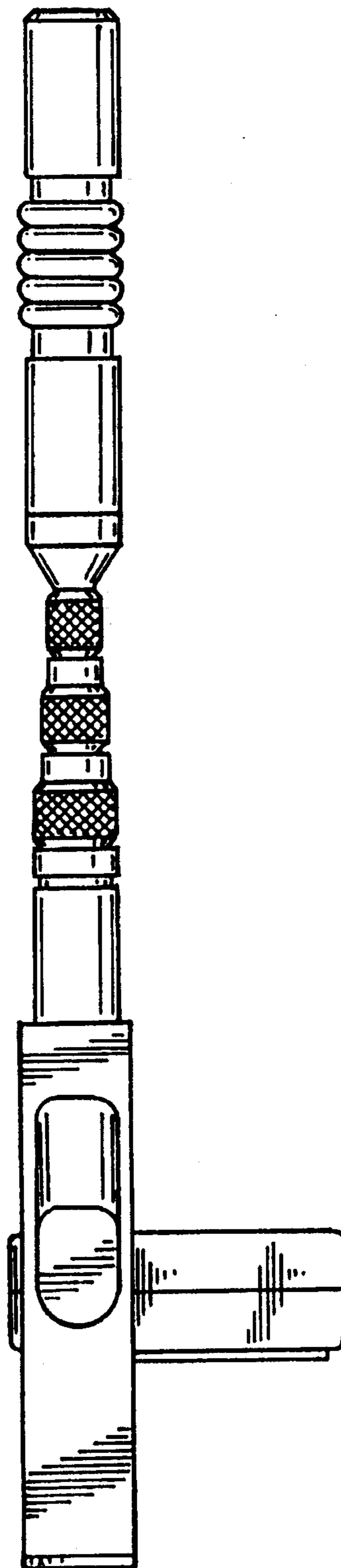


fig. 7