



US00D364179S

United States Patent [19]

Brush

[11] Patent Number: **Des. 364,179**

[45] Date of Patent: ****Nov. 14, 1995**

[54] ANTI-WALK CAM

[76] Inventor: **Richard R. Brush**, 24 Chenango Bridge Rd., Binghamton, N.Y. 13901

[**] Term: **14 Years**

[21] Appl. No.: **30,032**

[22] Filed: **Oct. 21, 1994**

[52] U.S. Cl. **D15/148; D15/5**

[58] Field of Search D15/5, 148, 199; 74/337.5, 568 R; 123/90.15, 90.16, 90.17, 90.2, 90.21, 90.26, 90.31, 90.34, 90.43, 90.44, 90.5, 90.46, 90.6; 475/105, 109; 477/51, 69, 93, 114

[56] **References Cited**

U.S. PATENT DOCUMENTS

D. 288,694	3/1987	Dobbertin	D15/148
D. 288,934	3/1987	Brown	D15/148
D. 296,900	7/1988	Randolph	D15/148

Primary Examiner—Antoine Duval Davis
Attorney, Agent, or Firm—Salzman & Levy

[57] **CLAIM**

The ornamental design for an anti-walk cam, as shown and described.

DESCRIPTION

FIG. 1 is a perspective view of the anti-walk cam of the invention;

FIG. 2 is a front plan view of the anti-walk cam of the invention;

FIG. 3 is a side plan view of the anti-walk cam of the invention;

FIG. 4 is a rear plan view of the anti-walk cam of the invention; and,

FIG. 5 is an exploded perspective view of the anti-walk cam of the invention.

The broken line showing of a bolt is for illustrative purposes only and forms no part of the claimed design.

1 Claim, 2 Drawing Sheets

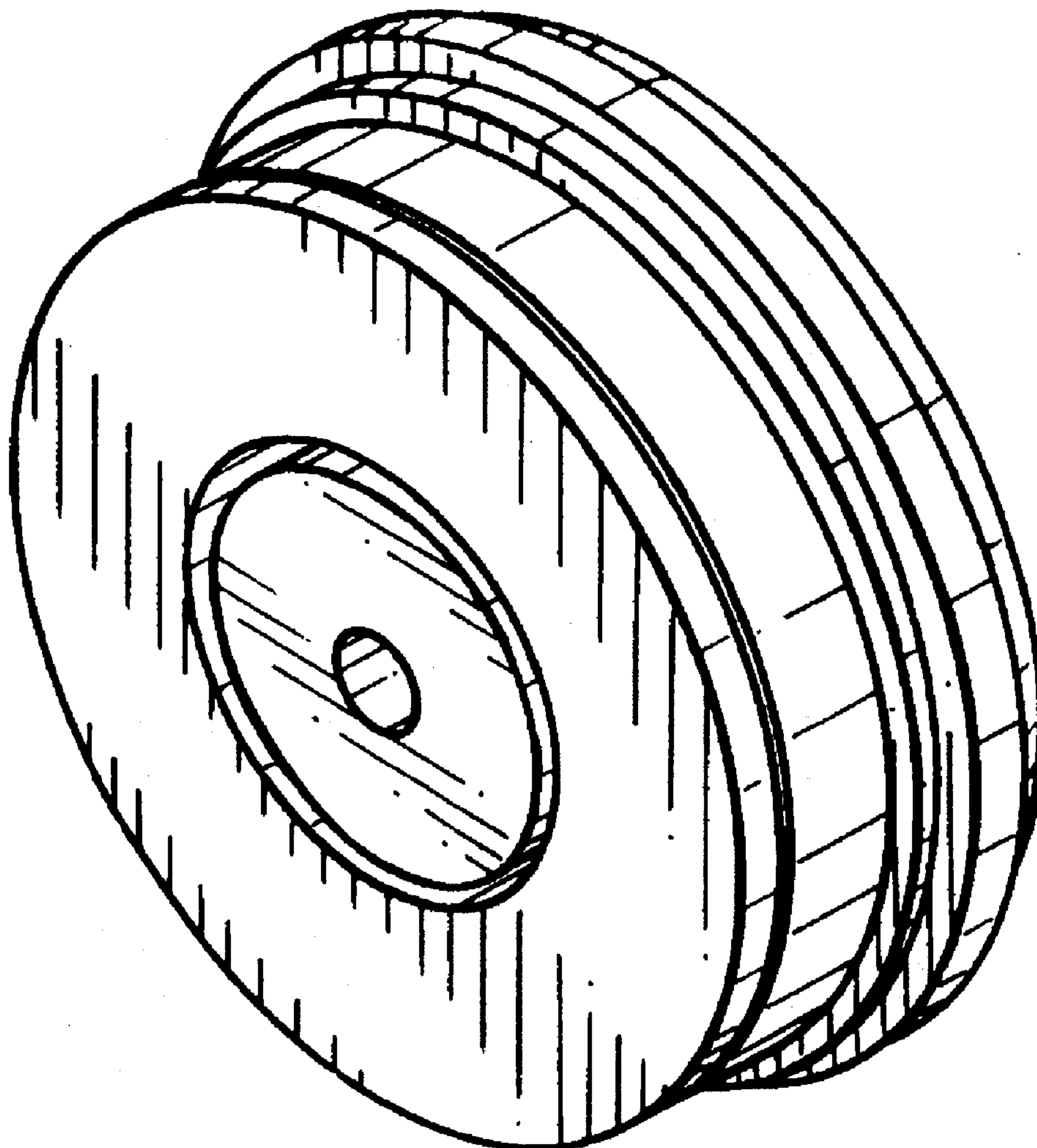


FIG. 1

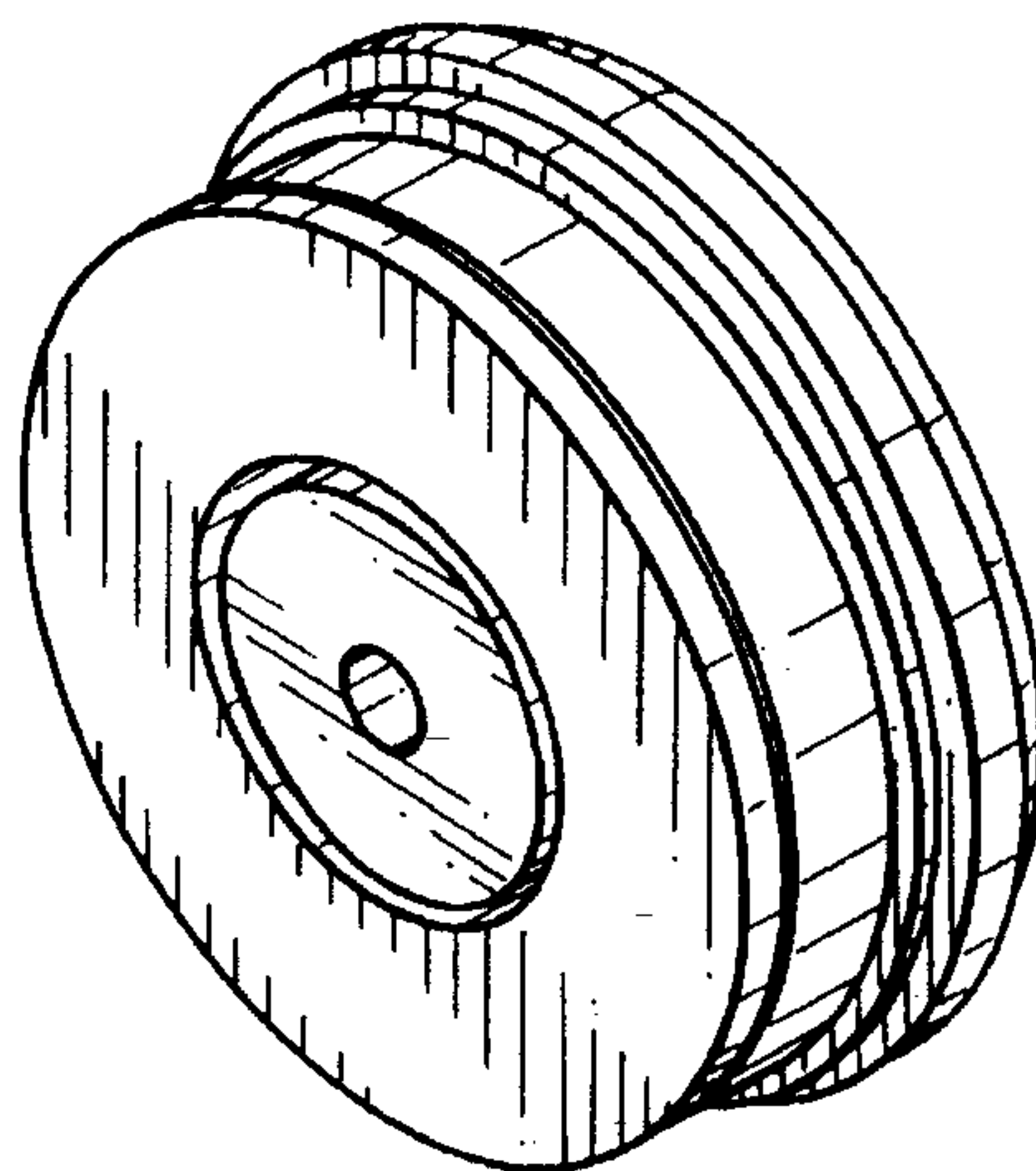


FIG. 2

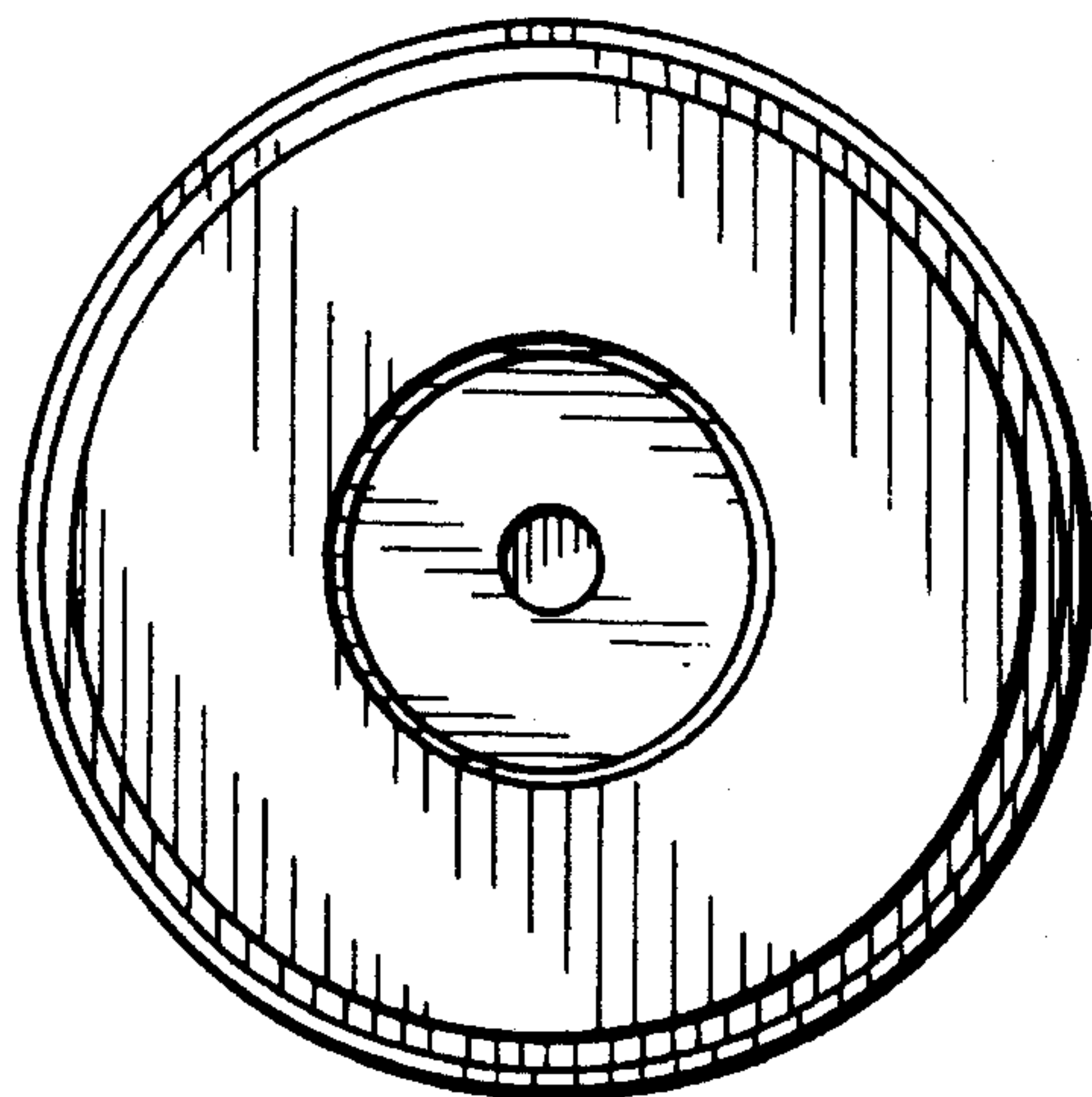


FIG. 3

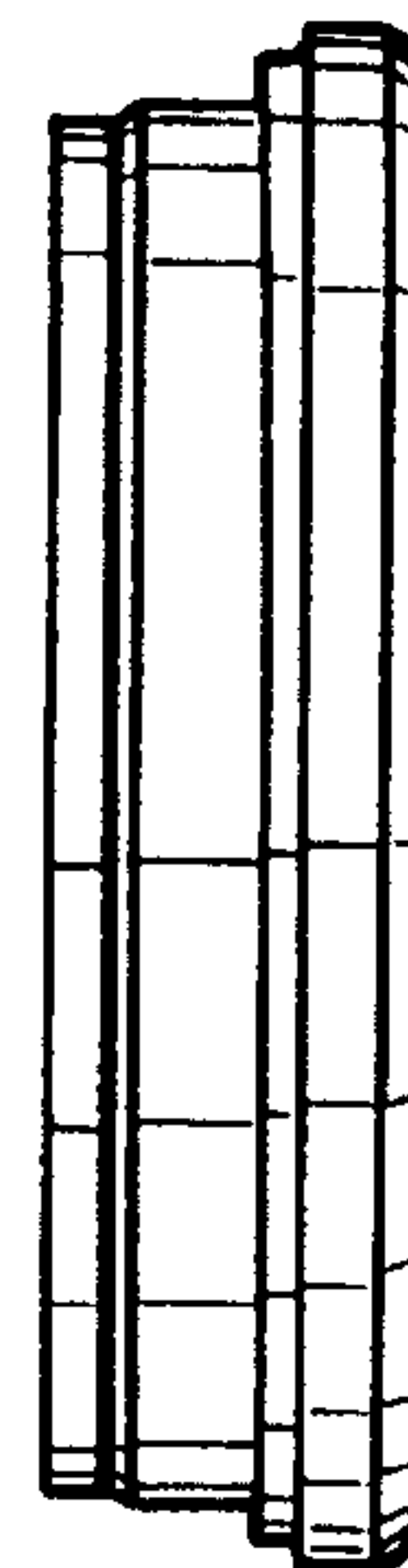
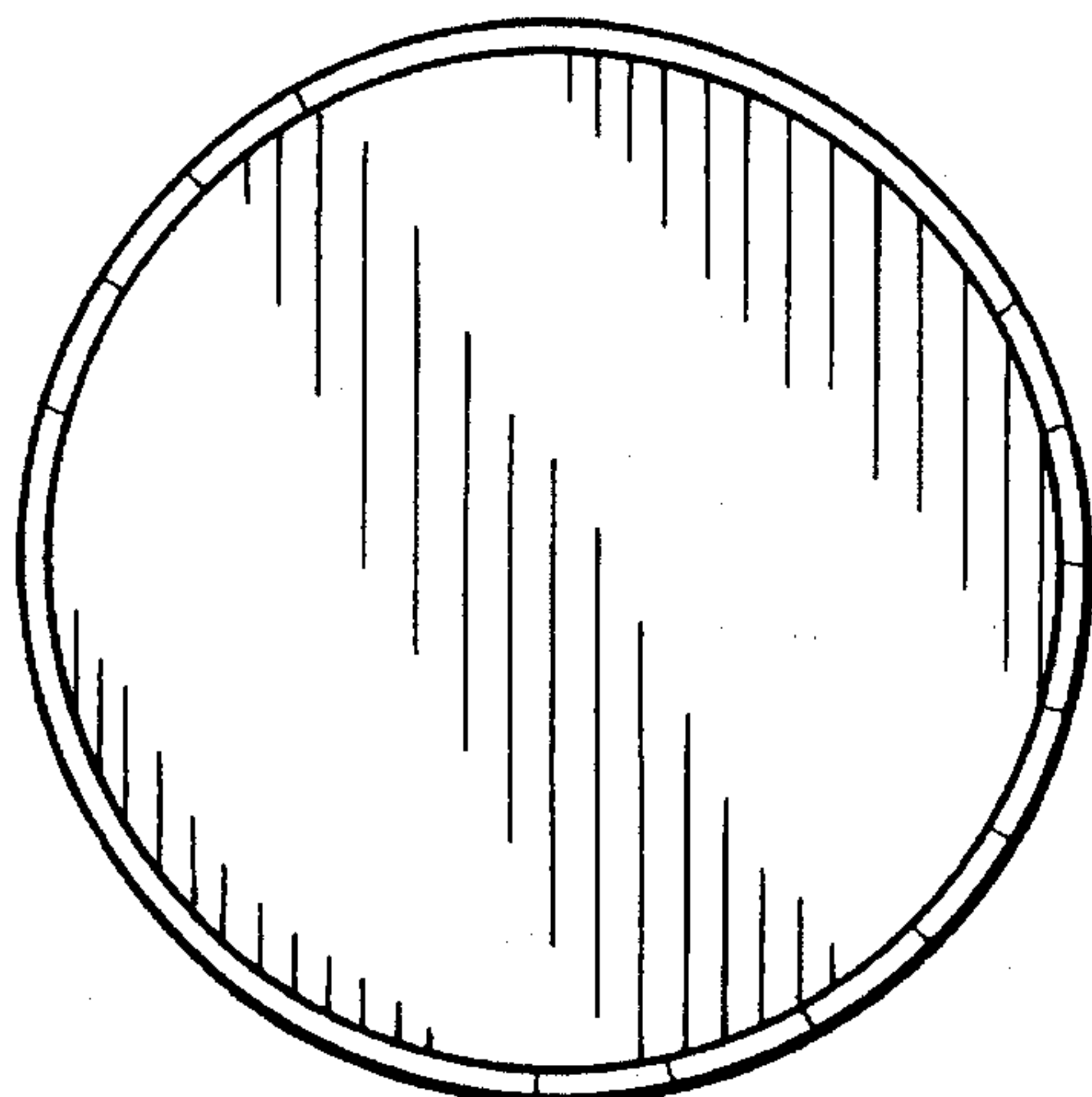


FIG. 4



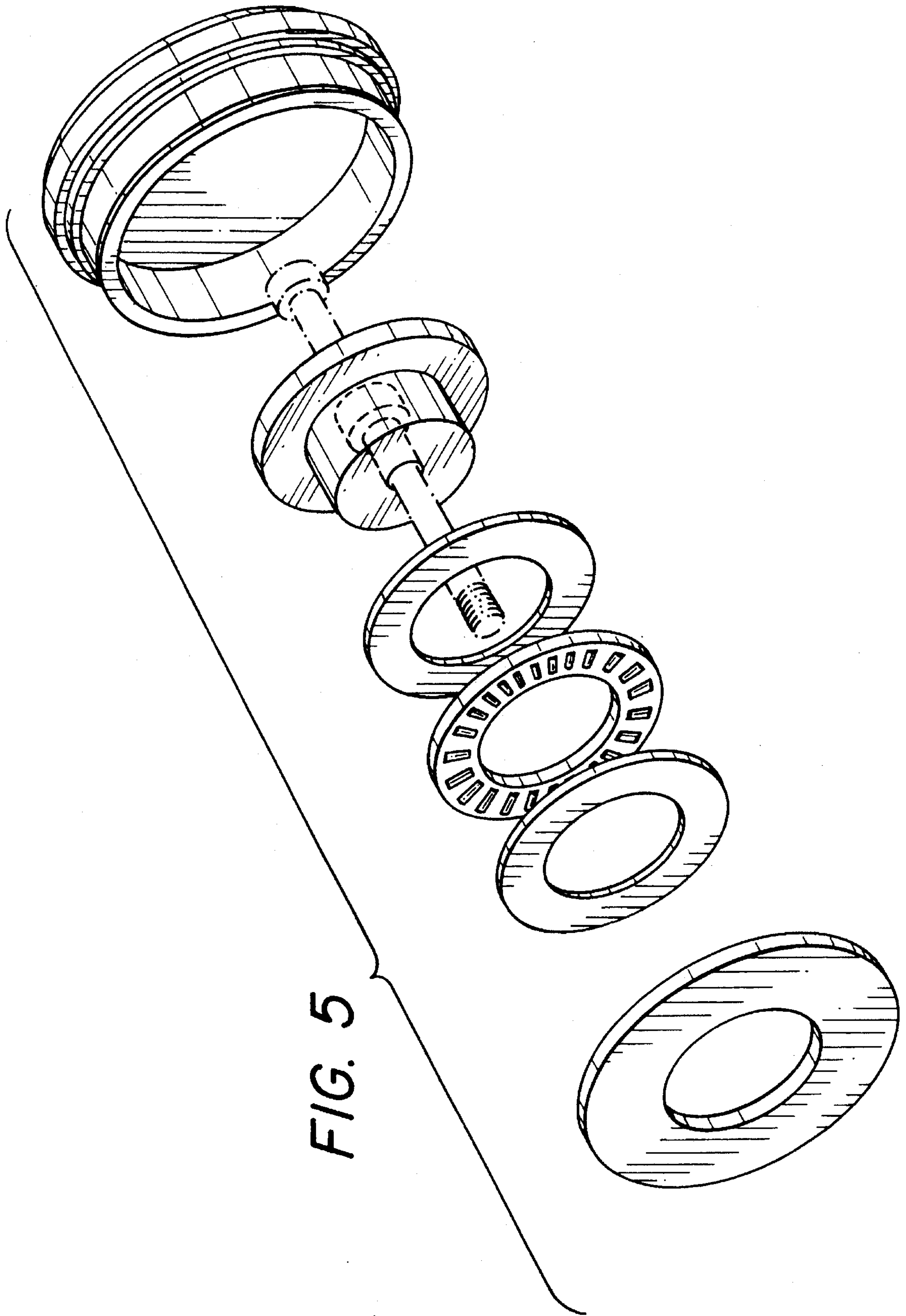


FIG. 5