



US00D364176S

United States Patent [19] Hartman

[11] Patent Number: **Des. 364,176**

[45] Date of Patent: ****Nov. 14, 1995**

[54] **RELOADING DIE**

[75] Inventor: **Rodney P. Hartman**, Lanark, Ill.

[73] Assignee: **Forster Products, Inc.**, Lanark, Ill.

[**] Term: **14 Years**

[21] Appl. No.: **7,452**

[22] Filed: **Apr. 22, 1993**

[52] U.S. Cl. **D15/136**

[58] Field of Search **D15/136, 138,
D15/139; 86/10-45**

[56] **References Cited**

U.S. PATENT DOCUMENTS

D. 223,685	5/1972	McPherson	D15/138
D. 341,603	11/1993	Zortman	D15/136
3,204,518	9/1965	Jackson	86/43
3,440,923	4/1969	Purdie	86/43
4,228,132	2/1981	Blomseth	86/43 X

Primary Examiner—Alan P. Douglas
Assistant Examiner—Antoine D. Davis
Attorney, Agent, or Firm—Donald R. Bahr

[57] **CLAIM**

The ornamental design for a reloading die, as shown and described.

DESCRIPTION

FIG. 1 is a front view of the reloading die showing the design of my invention;

FIG. 2 is a top view showing the design of my invention;

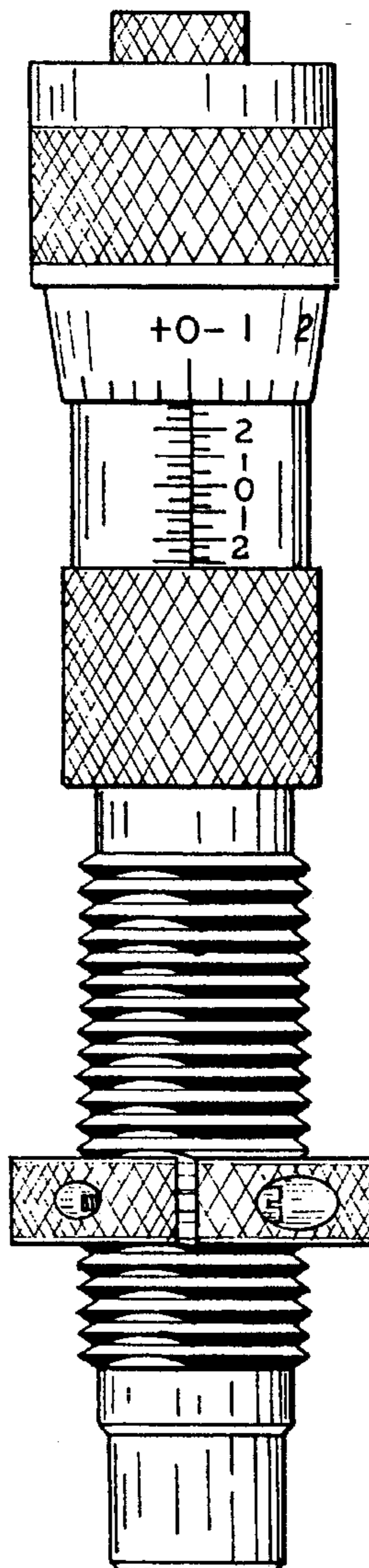
FIG. 3 is a bottom view showing the design of my invention;

FIG. 4 is a right side view showing the design of my invention;

FIG. 5 is a left view showing the design of my invention; and,

FIG. 6 is a rear view showing the design of my invention.

1 Claim, 1 Drawing Sheet



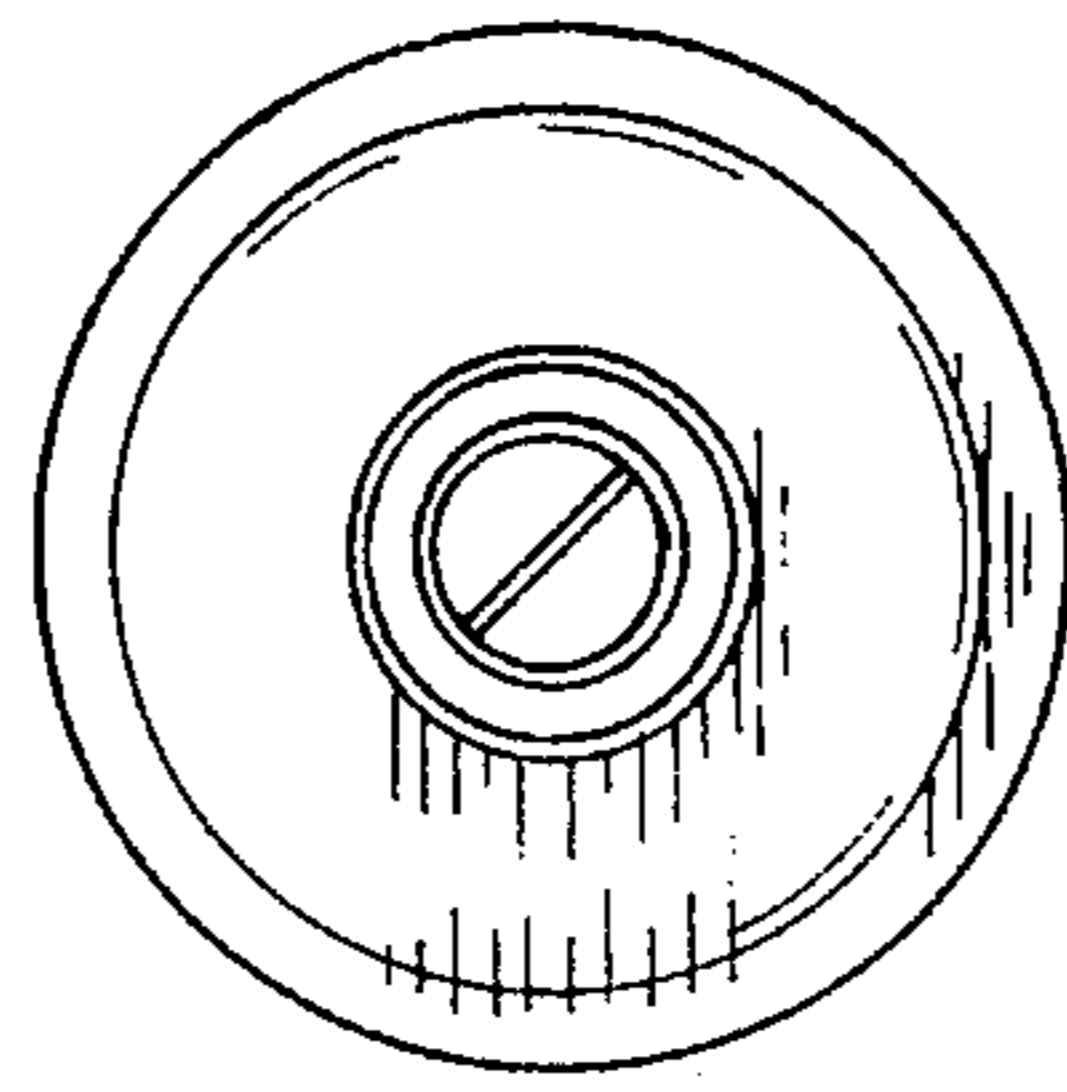


FIG- 2

FIG. 1

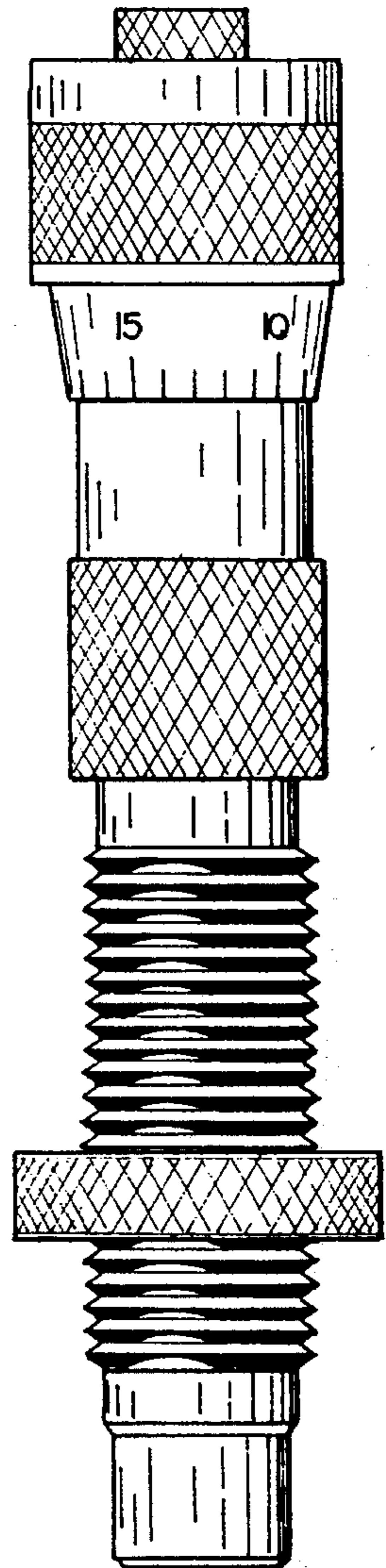
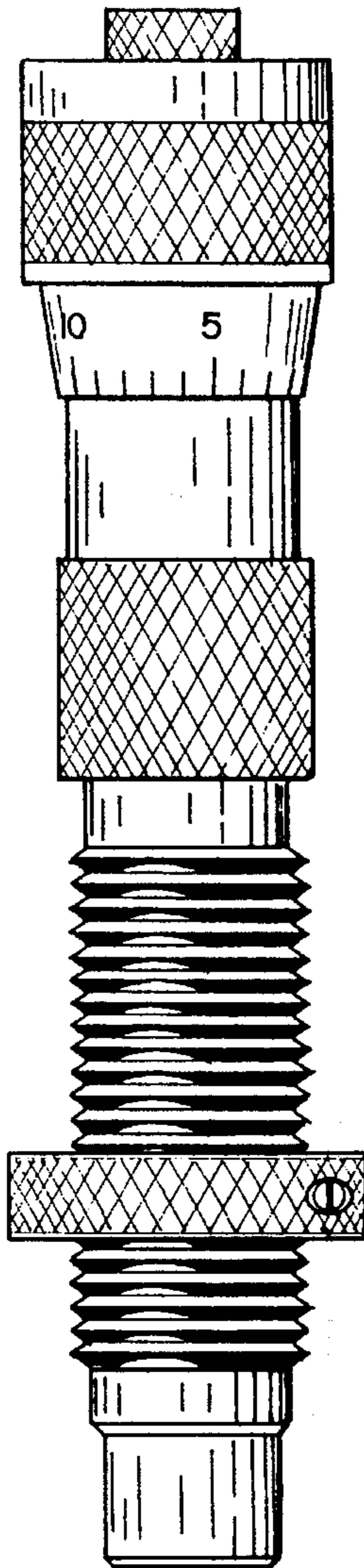
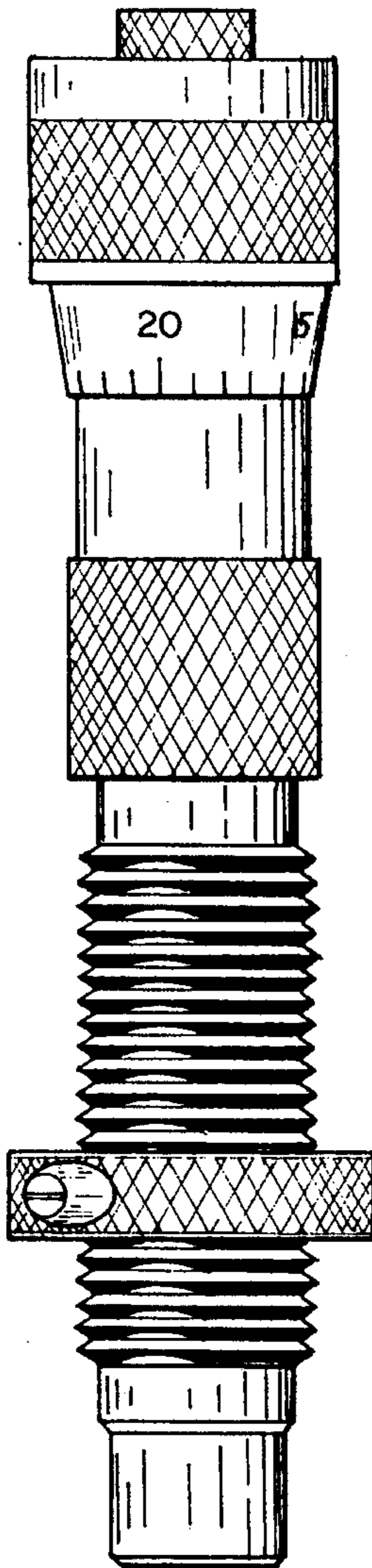
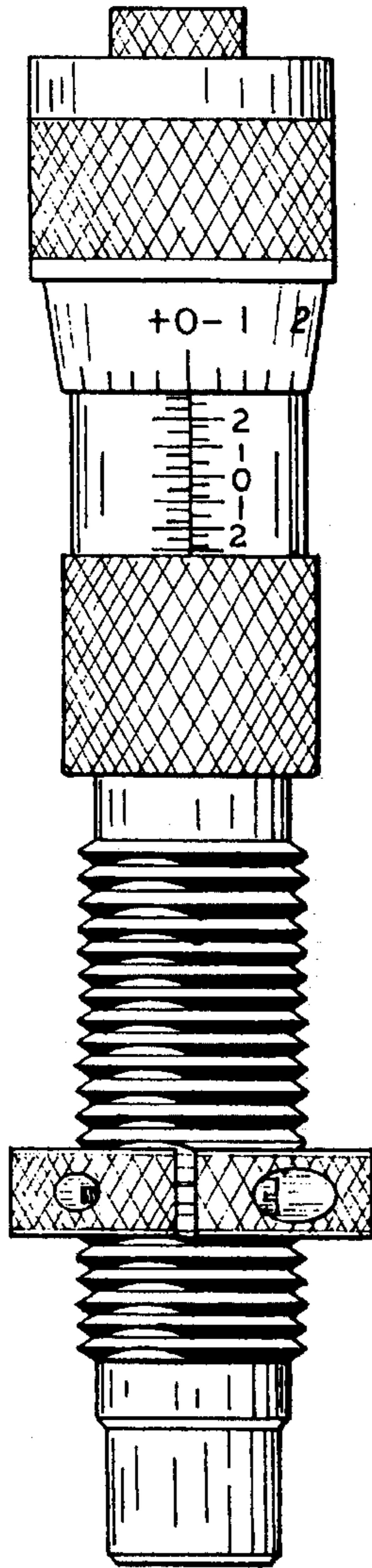


FIG. 4

FIG. 5

FIG. 6

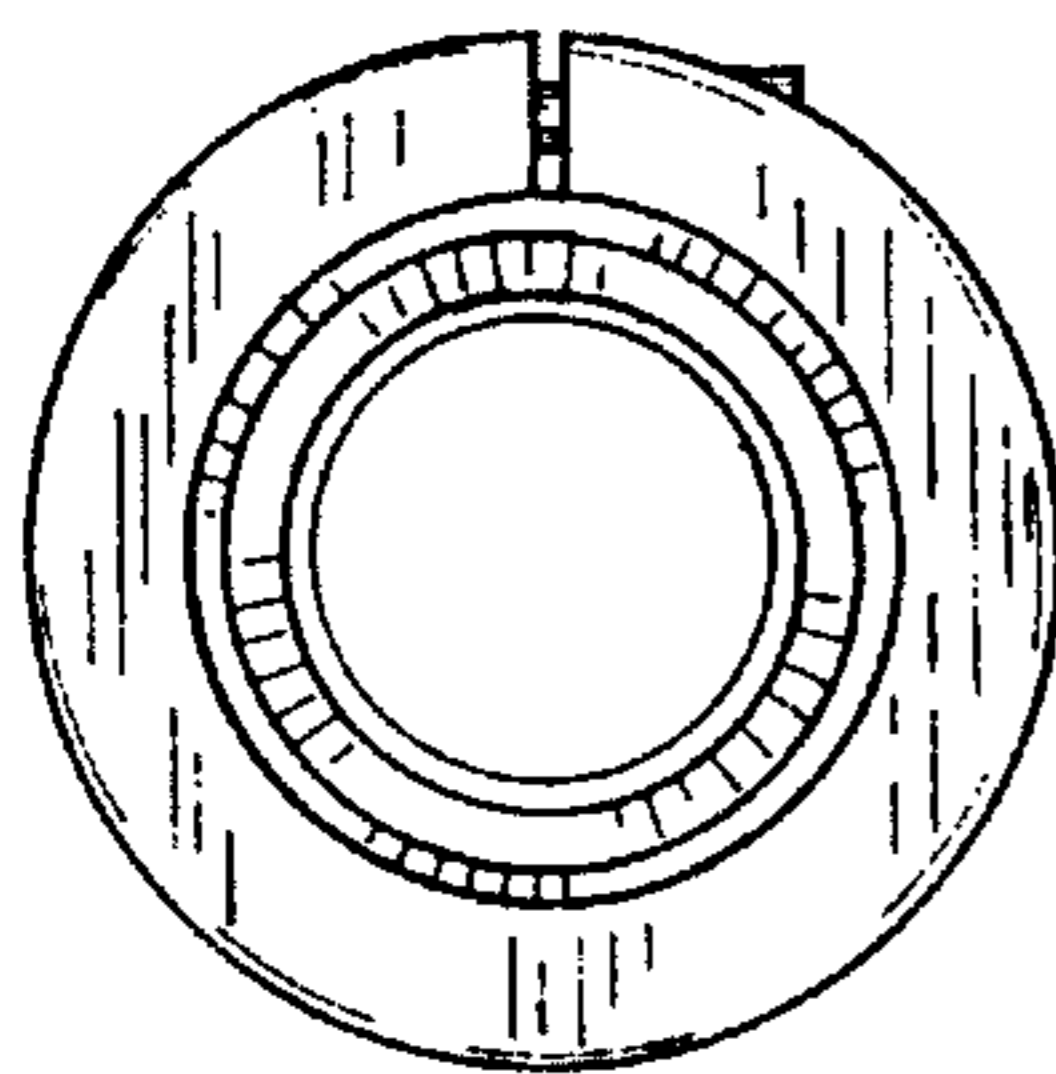


FIG. 3