



US00D364174S

United States Patent [19]

McPherson et al.

[11] Patent Number: **Des. 364,174**

[45] Date of Patent: ****Nov. 14, 1995**

[54] **ROCK COLLECTING IMPLEMENT**

[75] Inventors: **Mac E. McPherson; Michael G. McPherson**, both of Jamestown, N. Dak.; **Kenneth L. Innocent**, Sacramento, Calif.; **Gary A. Parkos; Roger D. Noska**, both of Browerville, Minn.

[73] Assignee: **Glenmac Inc.**, Jamestown, N. Dak.

[**] Term: **14 Years**

[21] Appl. No.: **10,967**

[22] Filed: **Jul. 21, 1993**

[52] U.S. Cl. **D15/27; D15/10**

[58] Field of Search **D15/10, 11, 22-27; 171/19, 63, 65, 123, 126; 172/136, 197-199, 439**

[56] References Cited

U.S. PATENT DOCUMENTS

D. 216,143	11/1969	Cline	D15/11
D. 242,914	1/1977	Kilburn et al.	D15/27
D. 268,497	4/1983	Adair	D15/11
1,366,068	1/1921	Doane .	
1,497,855	6/1924	Joneson .	
2,222,840	9/1940	Holmes	37/136
2,787,876	4/1957	Cole	55/17
2,938,586	5/1960	Gaffney	171/63
2,971,587	2/1961	Anderson	171/63
3,117,631	1/1964	Fahrenheitz	171/63
3,324,955	6/1967	Perold	172/136
3,332,222	7/1967	Heinlein	56/377
3,465,456	9/1969	Meyer	37/50
3,479,755	11/1969	Schropp	37/8
3,703,210	11/1972	Williams et al.	172/784

3,719,233	3/1973	Hehr	171/19
4,040,490	8/1977	Anderson	171/63
4,221,265	9/1980	Pratt	171/126
4,315,546	2/1982	Fahrenheitz	171/65
4,440,235	4/1984	Colistro	171/63
4,496,003	1/1985	Bynum	171/63
4,516,639	5/1985	Hammarlund et al.	172/99
4,555,897	12/1985	Degelman	56/228
5,024,280	6/1991	Mork	172/197
5,070,946	12/1991	Herr et al.	171/65
5,094,299	3/1992	Freier	172/136

FOREIGN PATENT DOCUMENTS

1048791	2/1979	Canada	171/63
---------	--------	--------------	--------

OTHER PUBLICATIONS

Land Tracker cover, Tillage Caddy, bottom.
Brochure: "Harley Model PRO-6", 1993, *Glenmac Inc.*

Primary Examiner—Sandra Morris
Attorney, Agent, or Firm—Westman, Champlin & Kelly

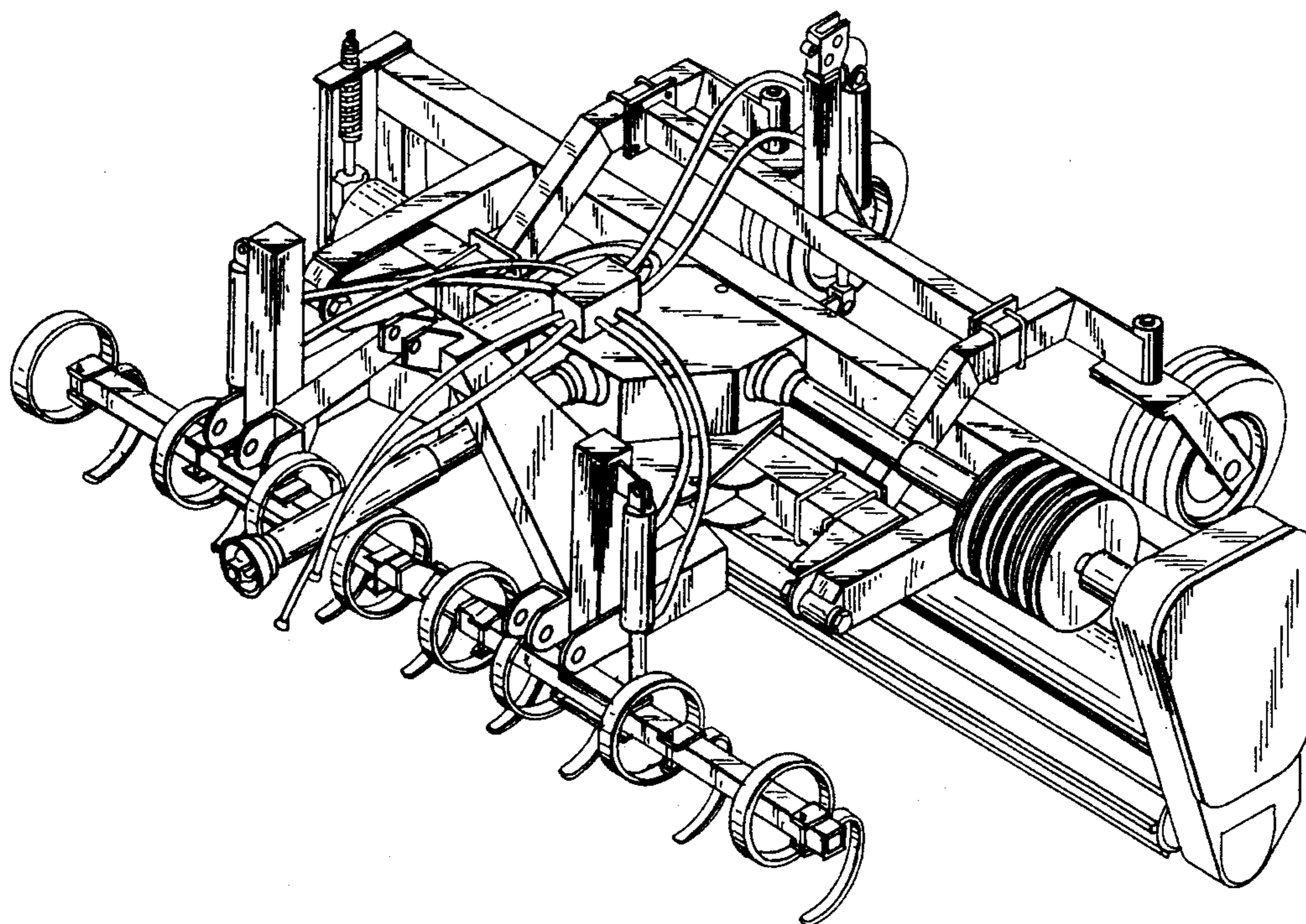
[57] CLAIM

The ornamental design for a rock collecting implement, as shown and described.

DESCRIPTION

FIG. 1 is a perspective view of a rock collecting implement, showing our new design;
FIG. 2 is a top plan view of our design;
FIG. 3 is a front elevational view of our design;
FIG. 4 is a first end elevational view of our design;
FIG. 5 is a second end elevational view of our design opposite to that of FIG. 4;
FIG. 6 is a rear elevational view of our design; and,
FIG. 7 is a bottom plan view of our design.

1 Claim, 6 Drawing Sheets



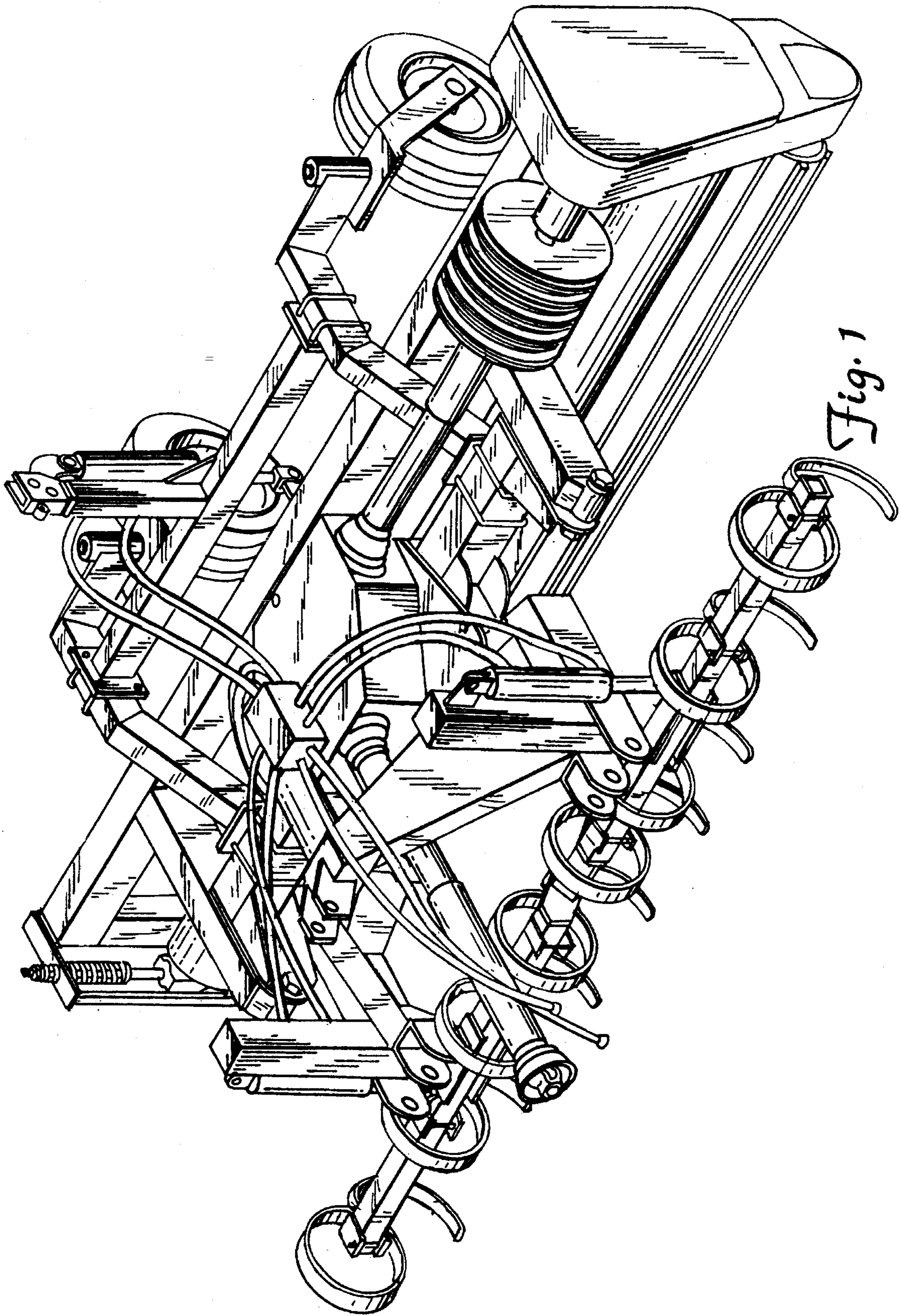


Fig. 1

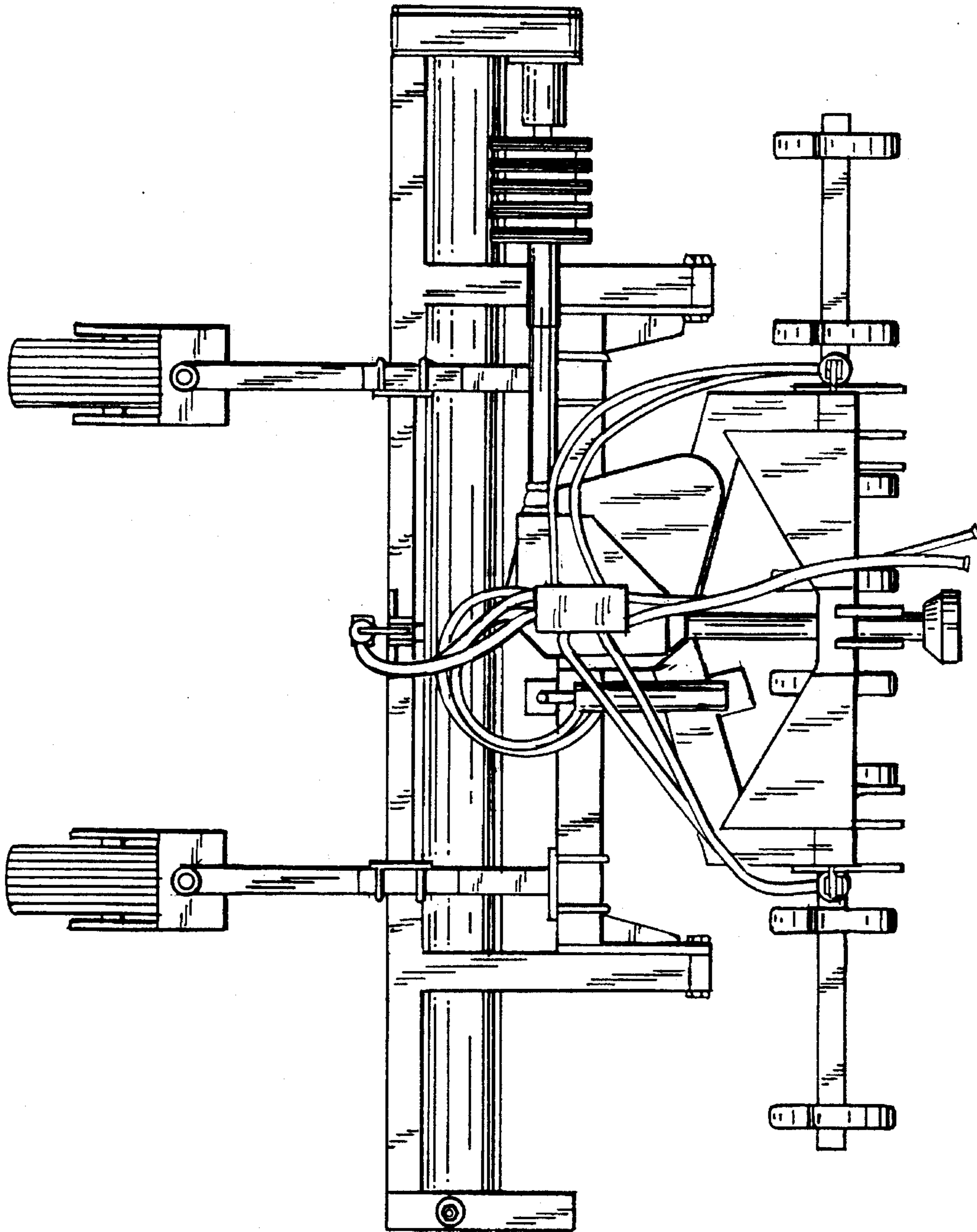


Fig. 2

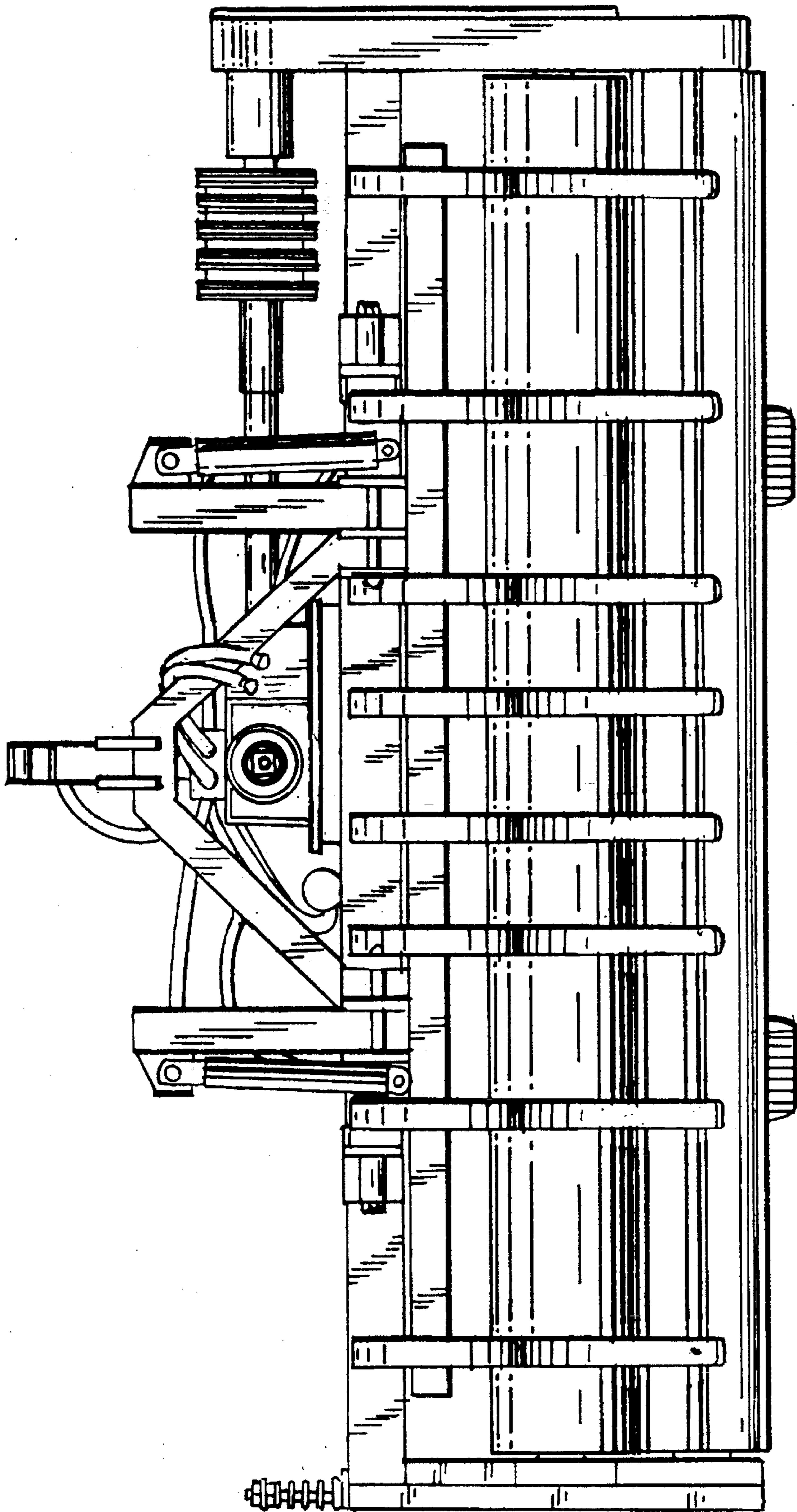


Fig. 3

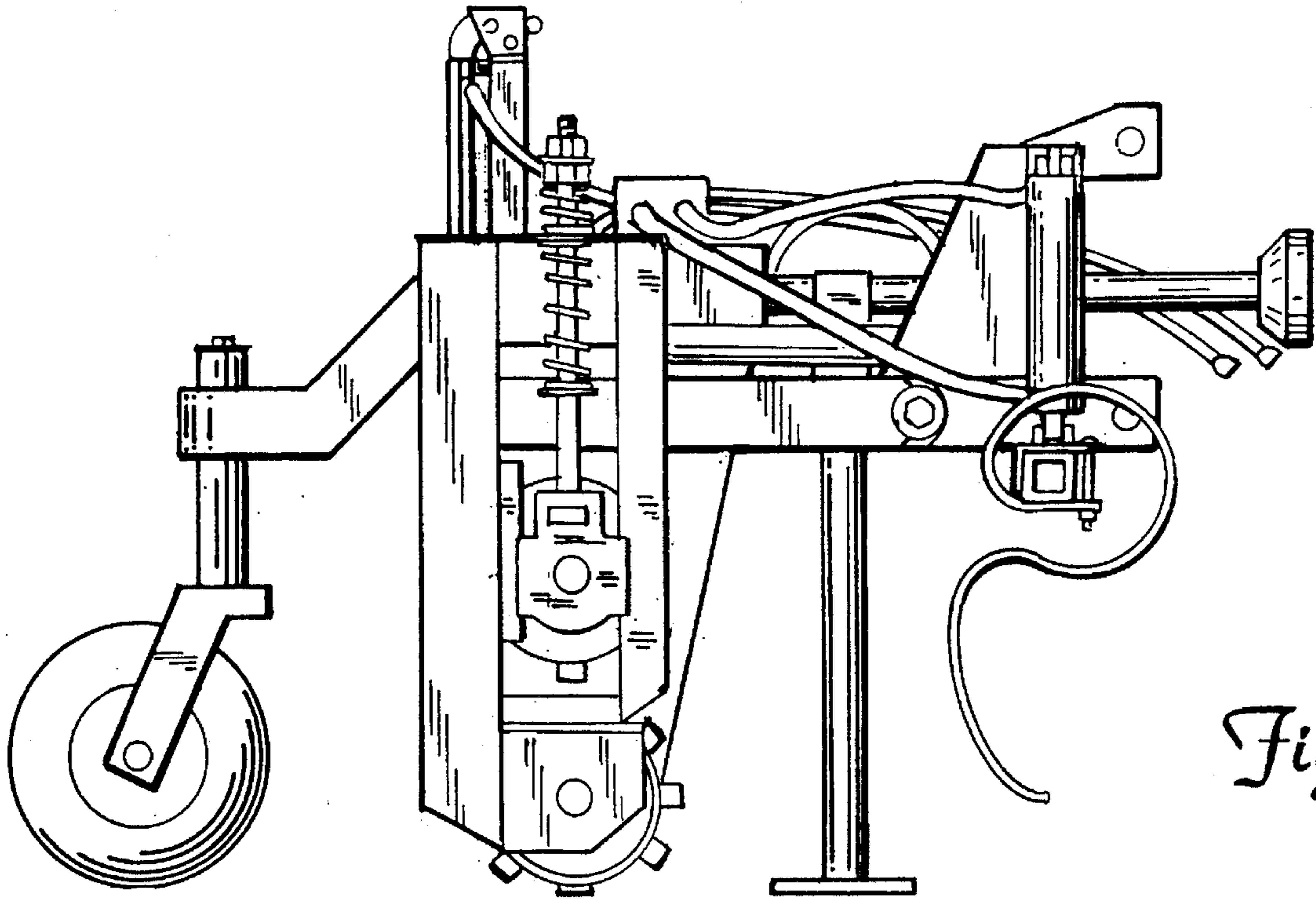


Fig. 4

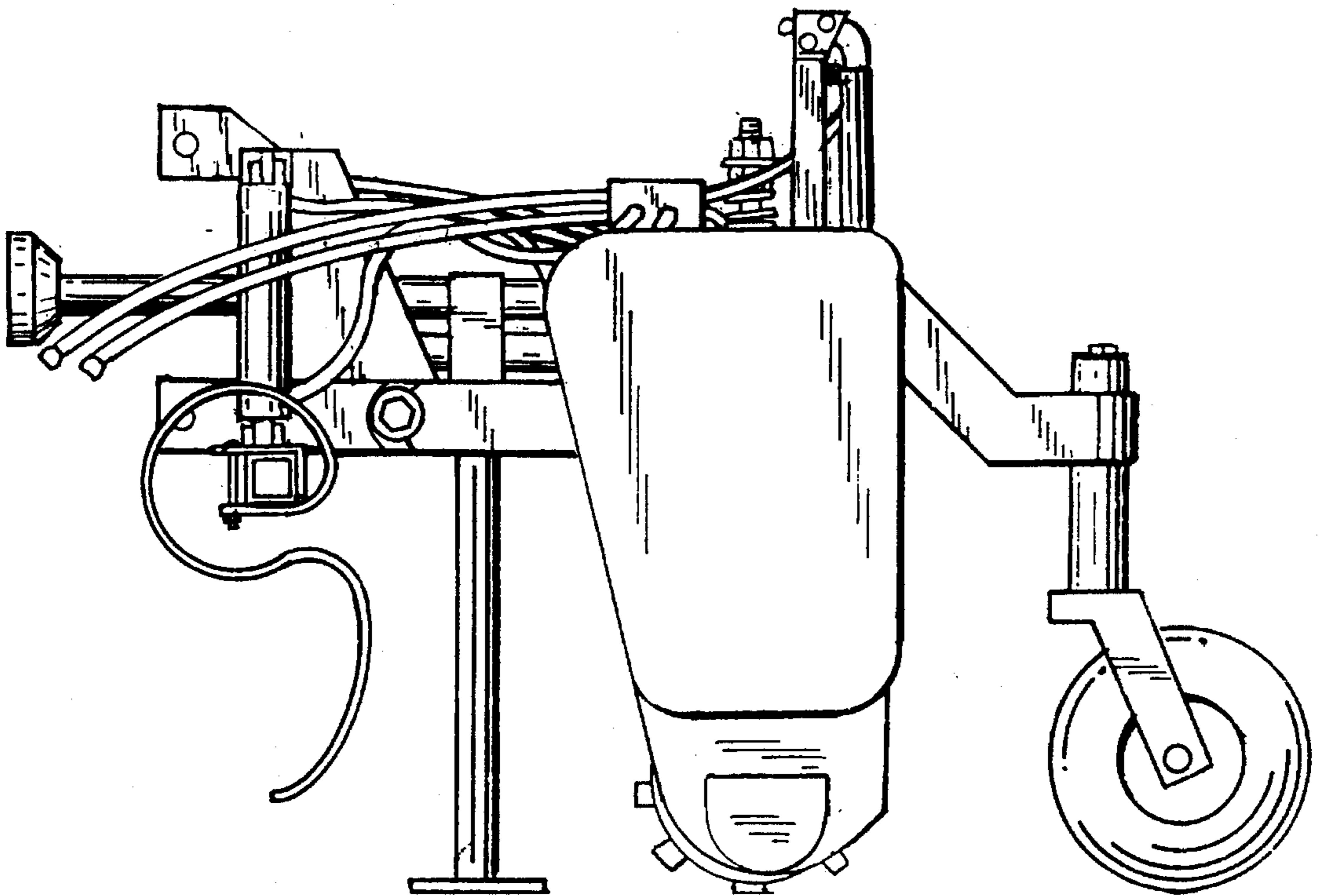


Fig. 5

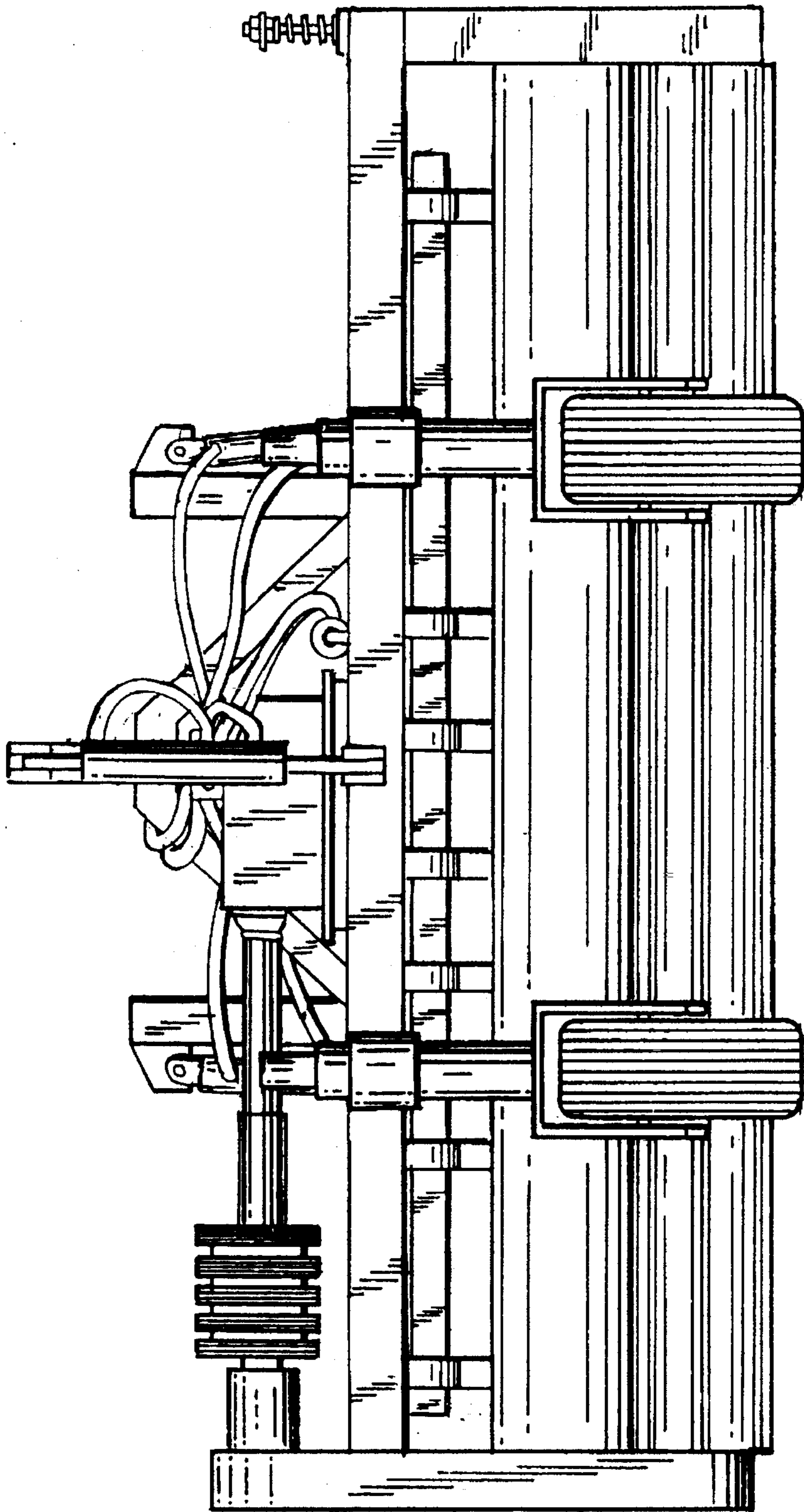


Fig. 6

Fig. 7

