



US00D364169S

United States Patent [19]

Geneve et al.

[11] Patent Number: **Des. 364,169**

[45] Date of Patent: ****Nov. 14, 1995**

[54] TELEVISION ANTENNA

[76] Inventors: **Francois Geneve**, 2112 W. Grace St., Chicago, Ill. 60618; **Luc Heiligstein**, 3119 N. Honore St., Chicago, Ill. 60657; **Stephen Melamed**, 2935 W. Belden Ave., Chicago, Ill. 60647

[**] Term: **14 Years**

[21] Appl. No.: **5,634**

[22] Filed: **Mar. 8, 1993**

[52] U.S. Cl. **D14/235**

[58] Field of Search **D14/230-238, D14/299; 343/713, 795805, 807, 880**

[56] **References Cited**

U.S. PATENT DOCUMENTS

| | | | |
|-----------|--------|-------------------|-----------|
| 2,699,348 | 1/1955 | Fulop | 343/805 X |
| 2,755,465 | 7/1956 | Ramsay | D14/236 X |
| 2,932,822 | 4/1960 | Hills et al. | 343/807 X |
| 3,564,554 | 2/1971 | Schuller | 343/880 X |

Primary Examiner—Terry A. Wallace
Attorney, Agent, or Firm—R. Neil Sudol; Henry D. Coleman

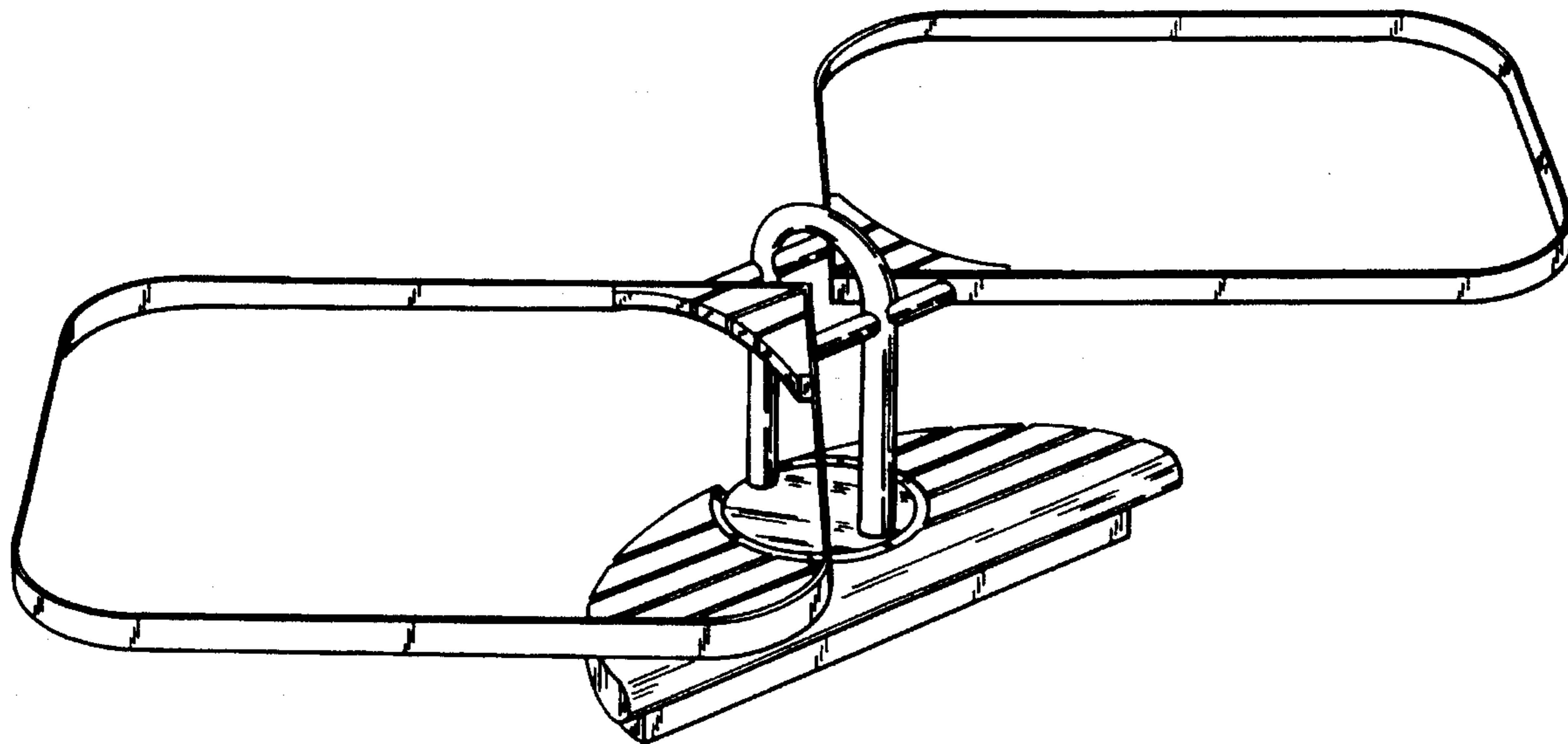
[57] **CLAIM**

The ornamental design for the television antenna, as shown and described.

DESCRIPTION

FIG. 1 is a top, front, left side perspective view of a television antenna showing our new design; FIG. 2 is a top plan view thereof; FIG. 3 is a front elevational view thereof; FIG. 4 is a bottom plan view thereof; FIG. 5 is a rear elevational view thereof; FIG. 6 is a side elevational view thereof; and, FIG. 7 is a top plan view of one of the receiver portions shown separately for clarity of illustration. The receiver is partially shown in FIGS. 2-6 for ease of illustration.

1 Claim, 5 Drawing Sheets



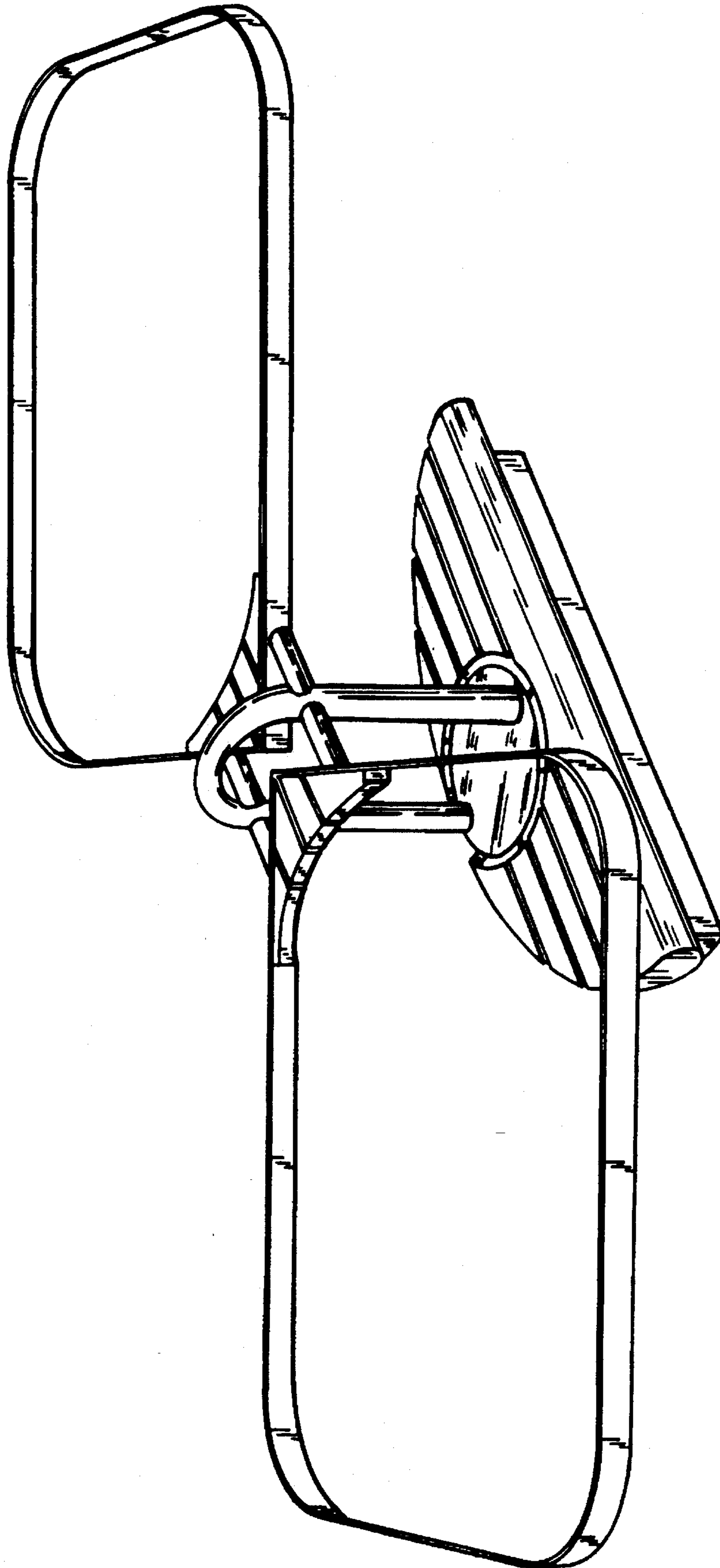


FIG. 1

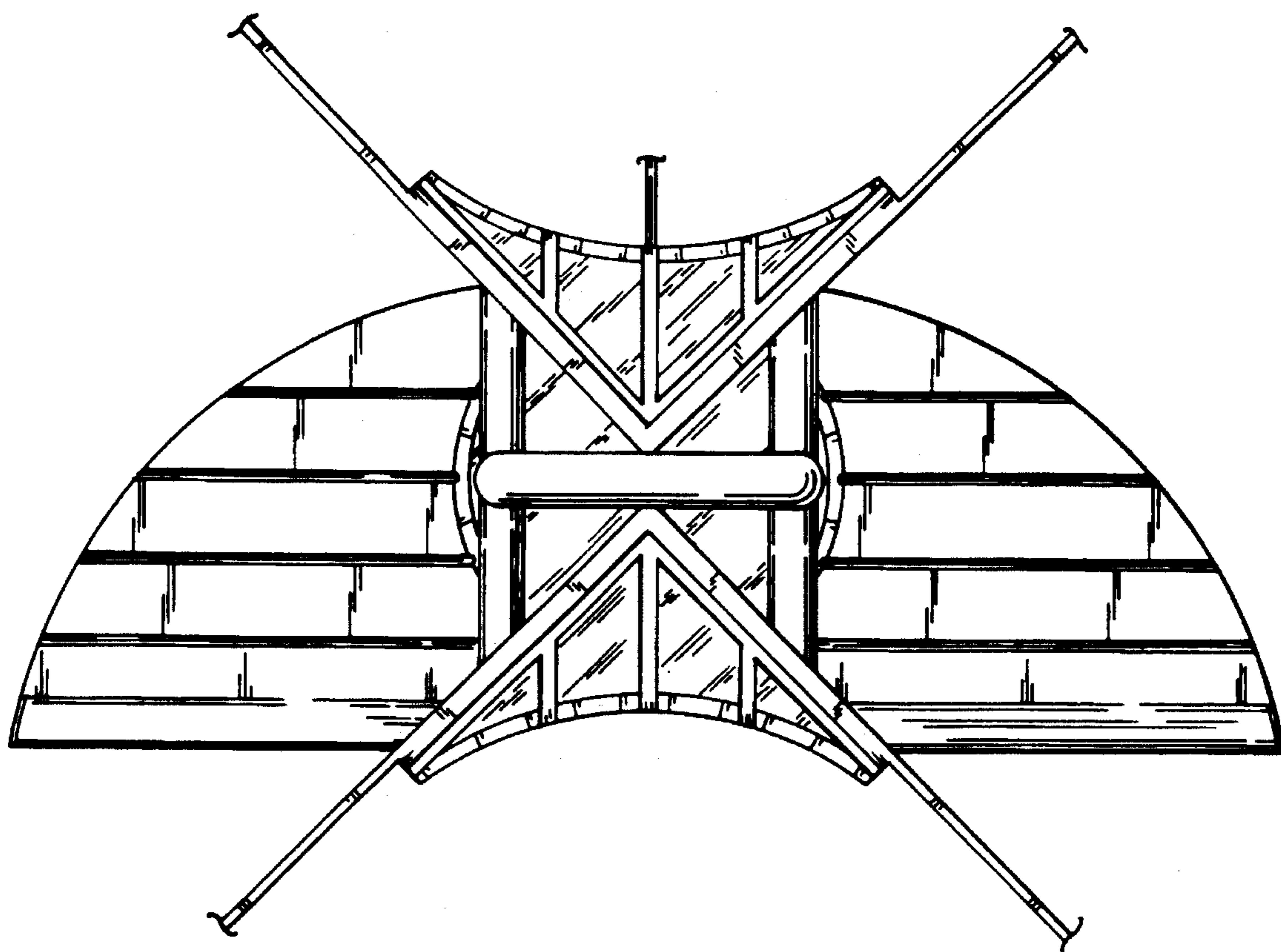


FIG. 2

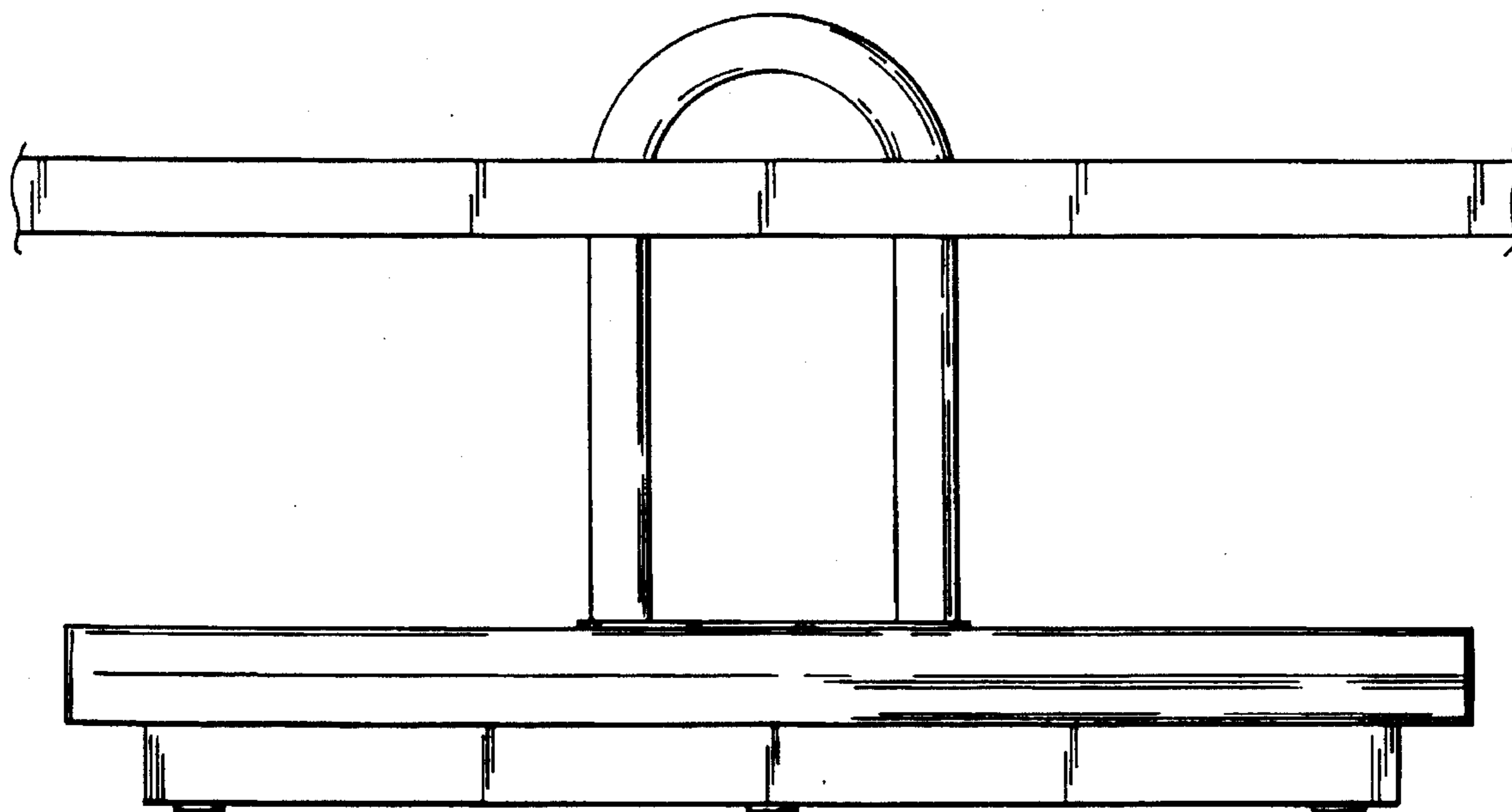


FIG. 3

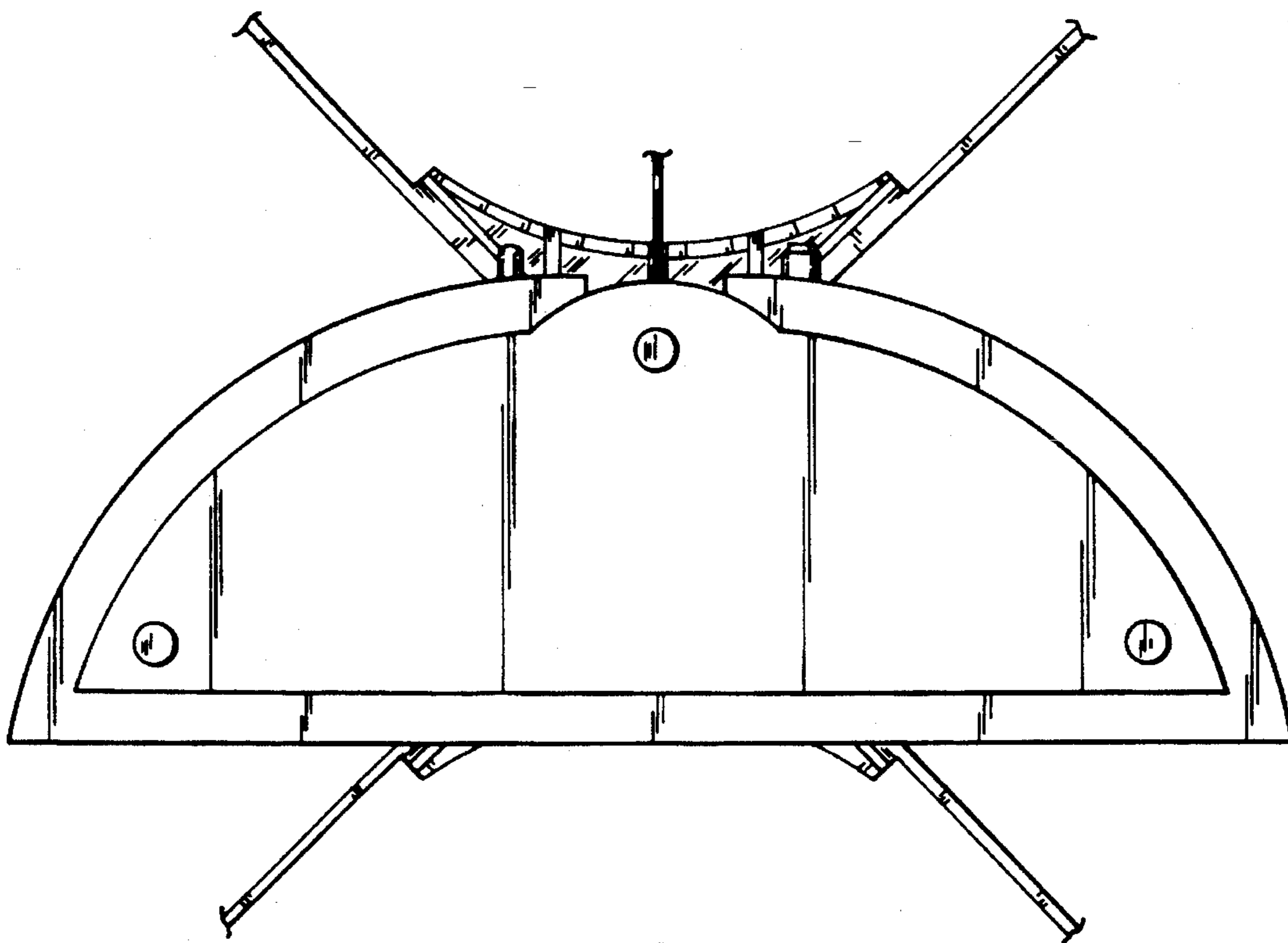


FIG. 4

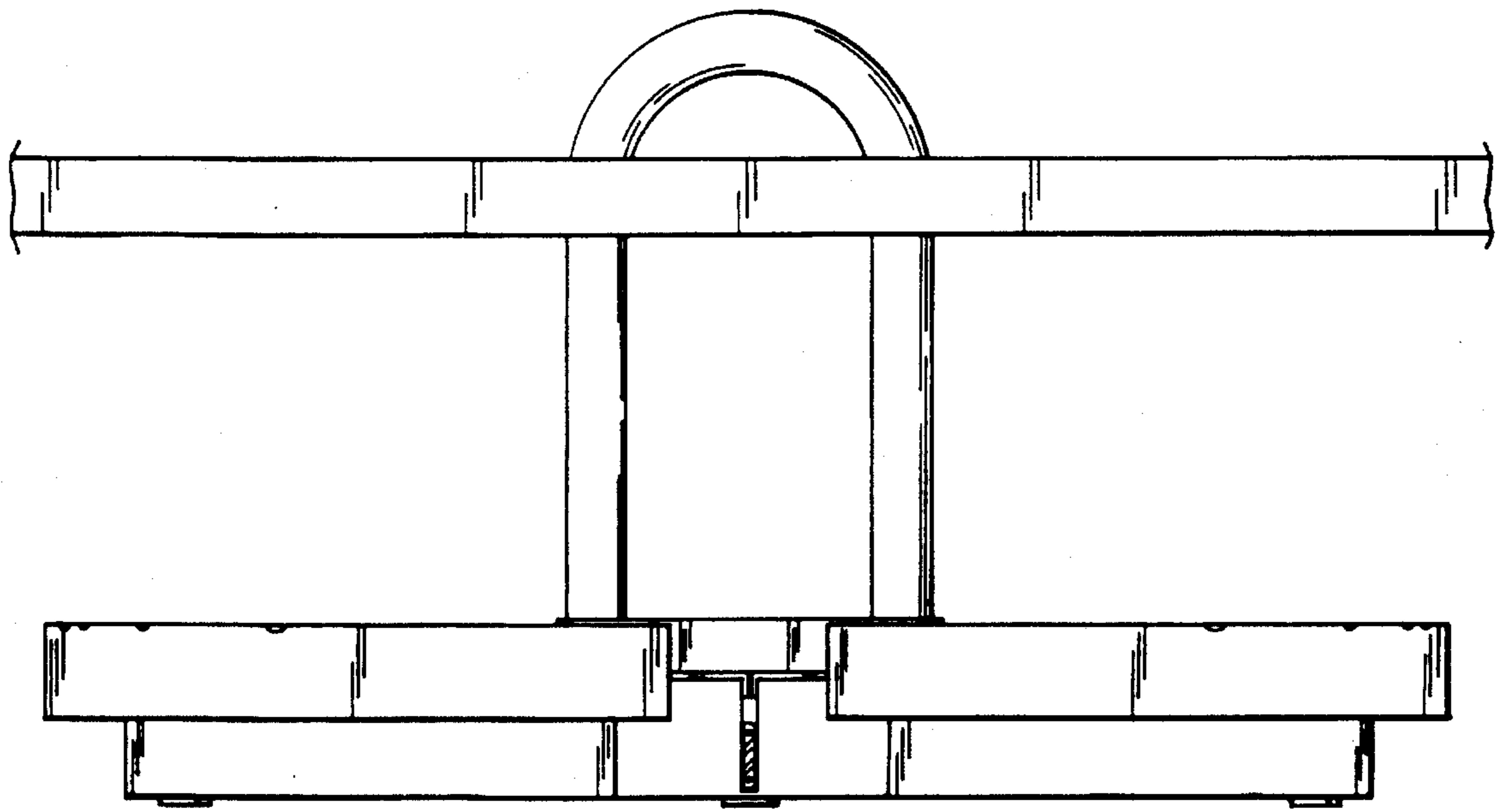


FIG. 5

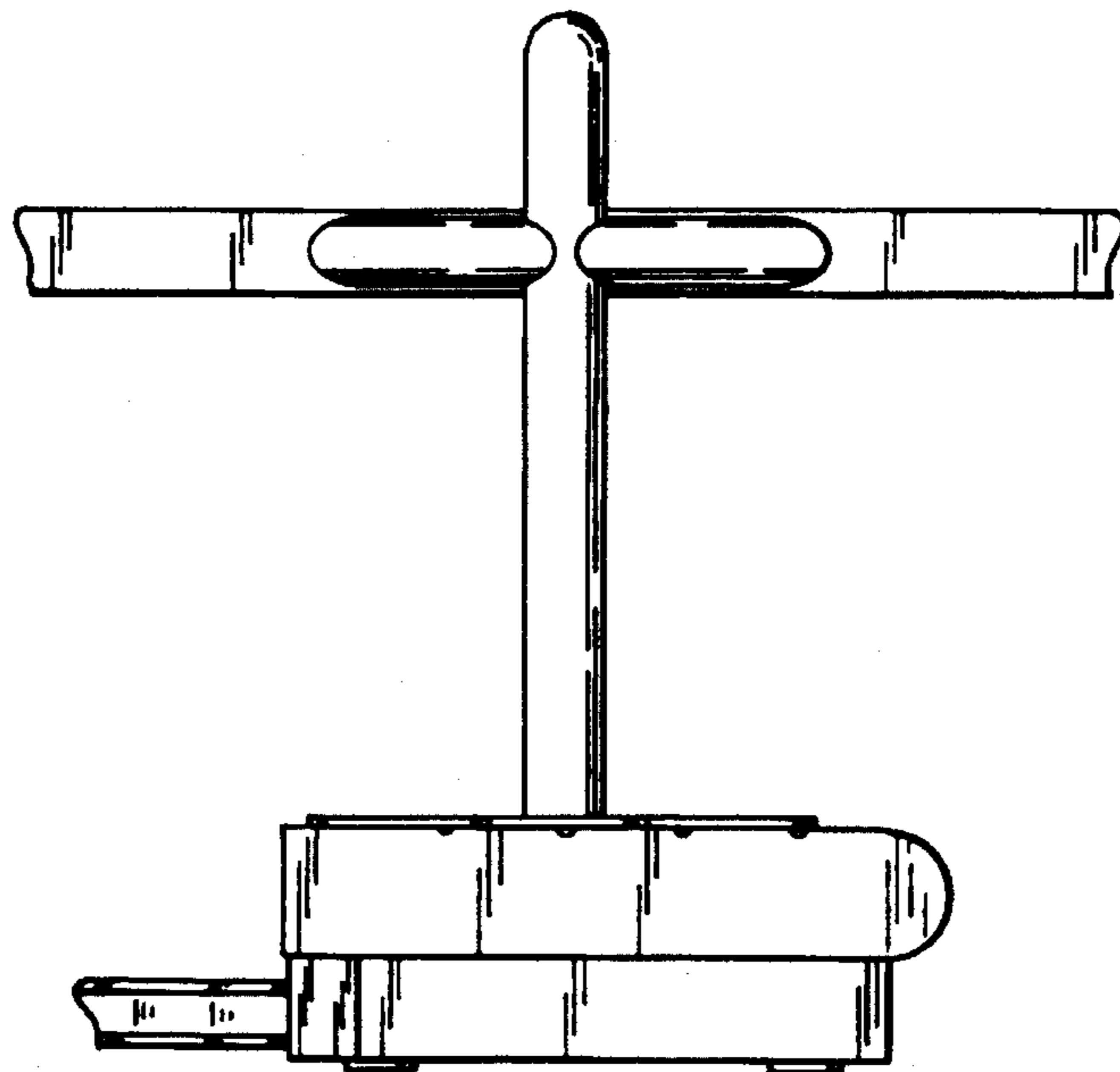


FIG. 6

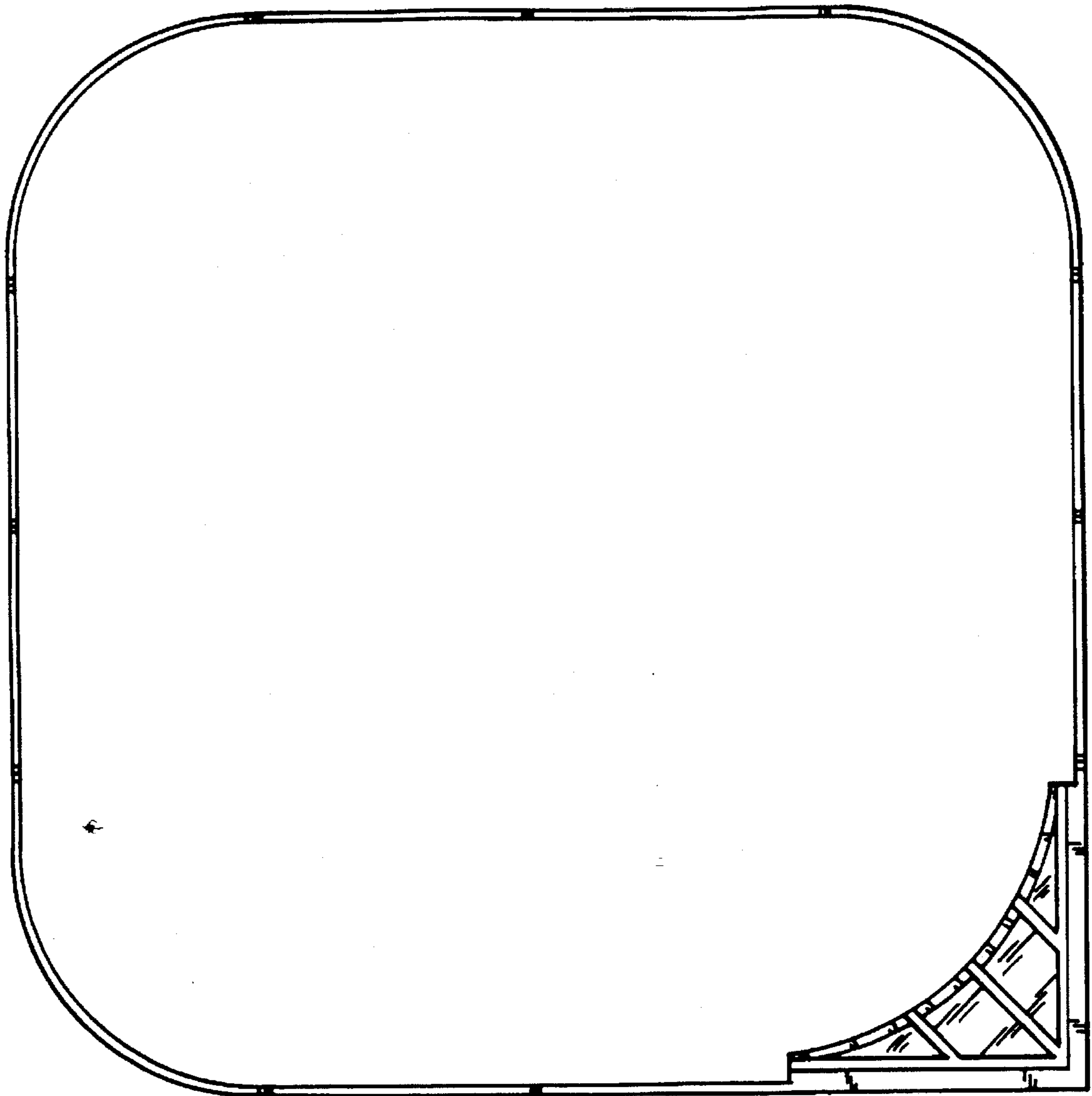


FIG. 7