



US00D364167S

**United States Patent** [19]  
**Daniels**

[11] **Patent Number:** **Des. 364,167**  
[45] **Date of Patent:** **\*\*Nov. 14, 1995**

[54] **SPEAKER MOTOR CASE**

[75] Inventor: **Drew Daniels**, North Hills, Calif.  
[73] Assignee: **Aura Systems, Inc.**, El Segundo, Calif.  
[\*\*] Term: **14 Years**

[21] Appl. No.: **5,828**  
[22] Filed: **Mar. 12, 1993**  
[52] U.S. Cl. .... **D14/221**  
[58] Field of Search ..... **D14/204, 209,**  
**D14/217, 221, 222; 181/150, 152, 157,**  
**199; 381/24, 88, 188, 205**

[56] **References Cited**

**U.S. PATENT DOCUMENTS**

D. 232,440 8/1974 Yanagawa ..... D14/216

**FOREIGN PATENT DOCUMENTS**

1067064 11/1959 Germany ..... 181/152

**OTHER PUBLICATIONS**

Radio Today, Caldwell-Clements Inc., 480 Lexington Ave.  
N.Y. Nov. 1936, p. 58, floating speaker mounting.  
General Electric, Nov. 12, 1953, p. 1, Model A1-400 Dual

Coaxial Loudspeaker.

*Primary Examiner*—Terry A. Wallace  
*Assistant Examiner*—Nanda Bondade  
*Attorney, Agent, or Firm*—Anthony T. Cascio; Lisa A. Merkadeau

[57] **CLAIM**

The ornamental design for a speaker motor case, as shown and described.

**DESCRIPTION**

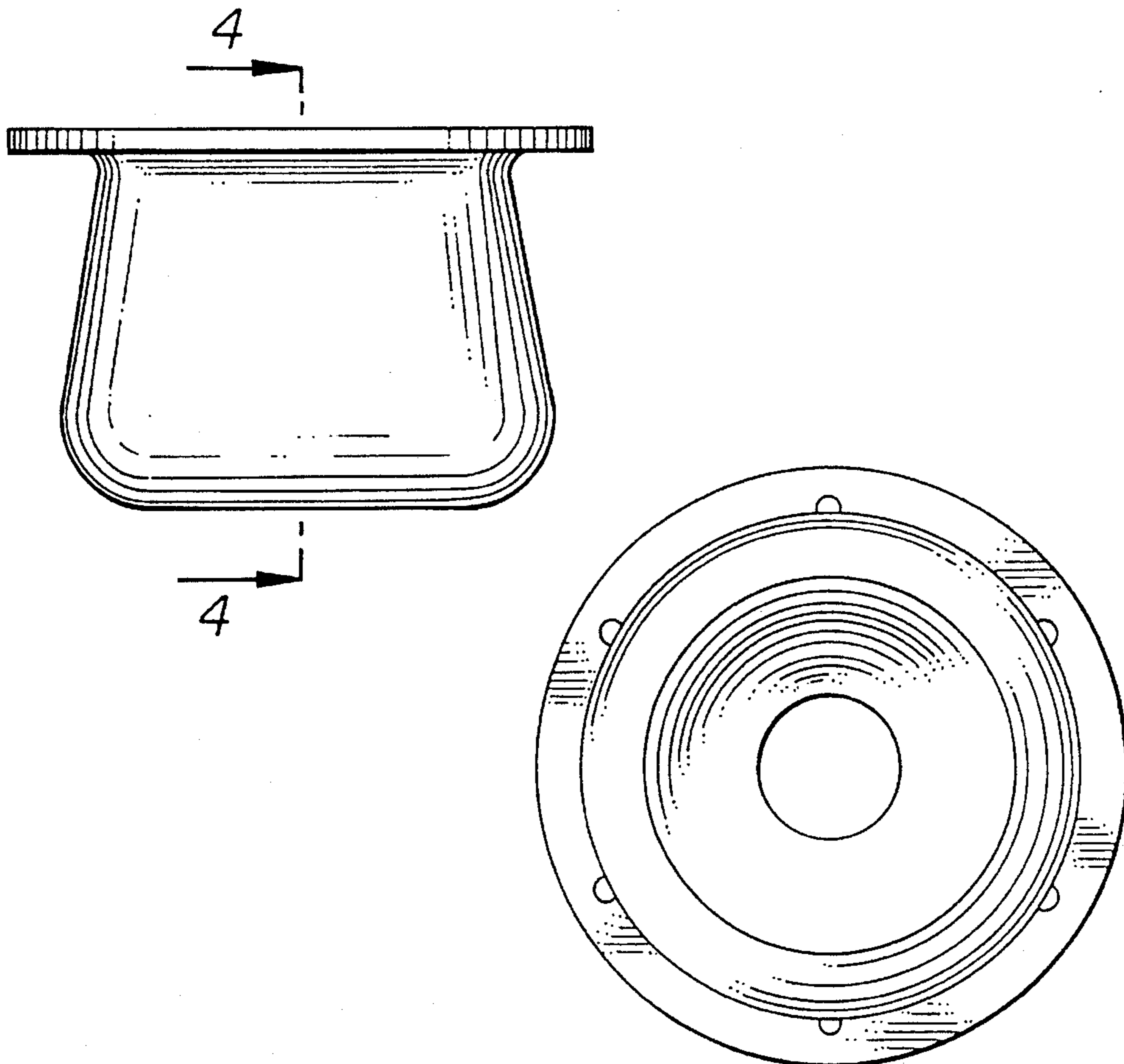
FIG. 1 is a side elevational view of a speaker motor case showing my new design, the remaining sides being identical;

FIG. 2 is a bottom plan view thereof;

FIG. 3 is a top plan view thereof; and,

FIG. 4 is a cross-sectional view thereof.

**1 Claim, 1 Drawing Sheet**



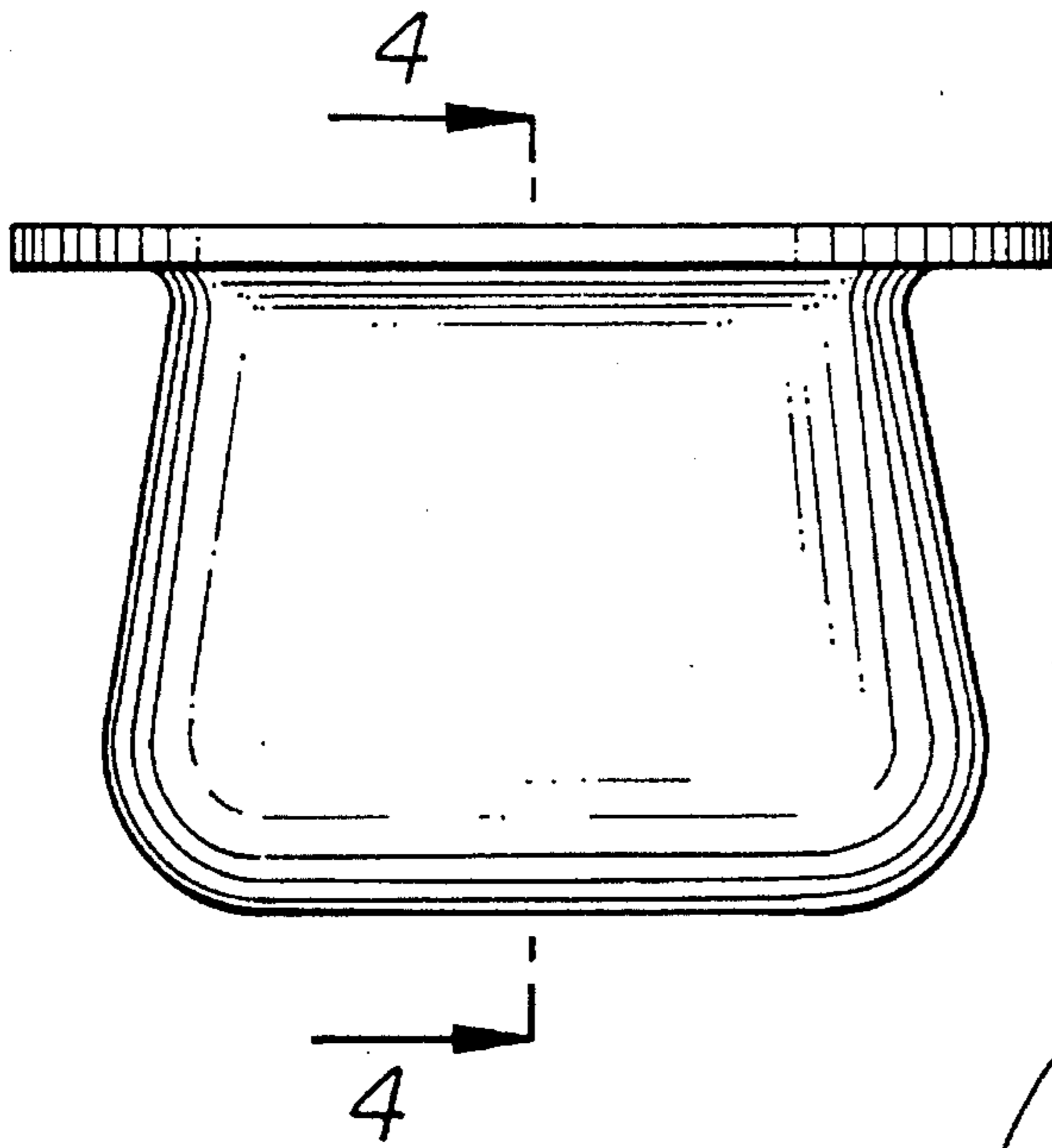


FIG. 1

FIG. 2

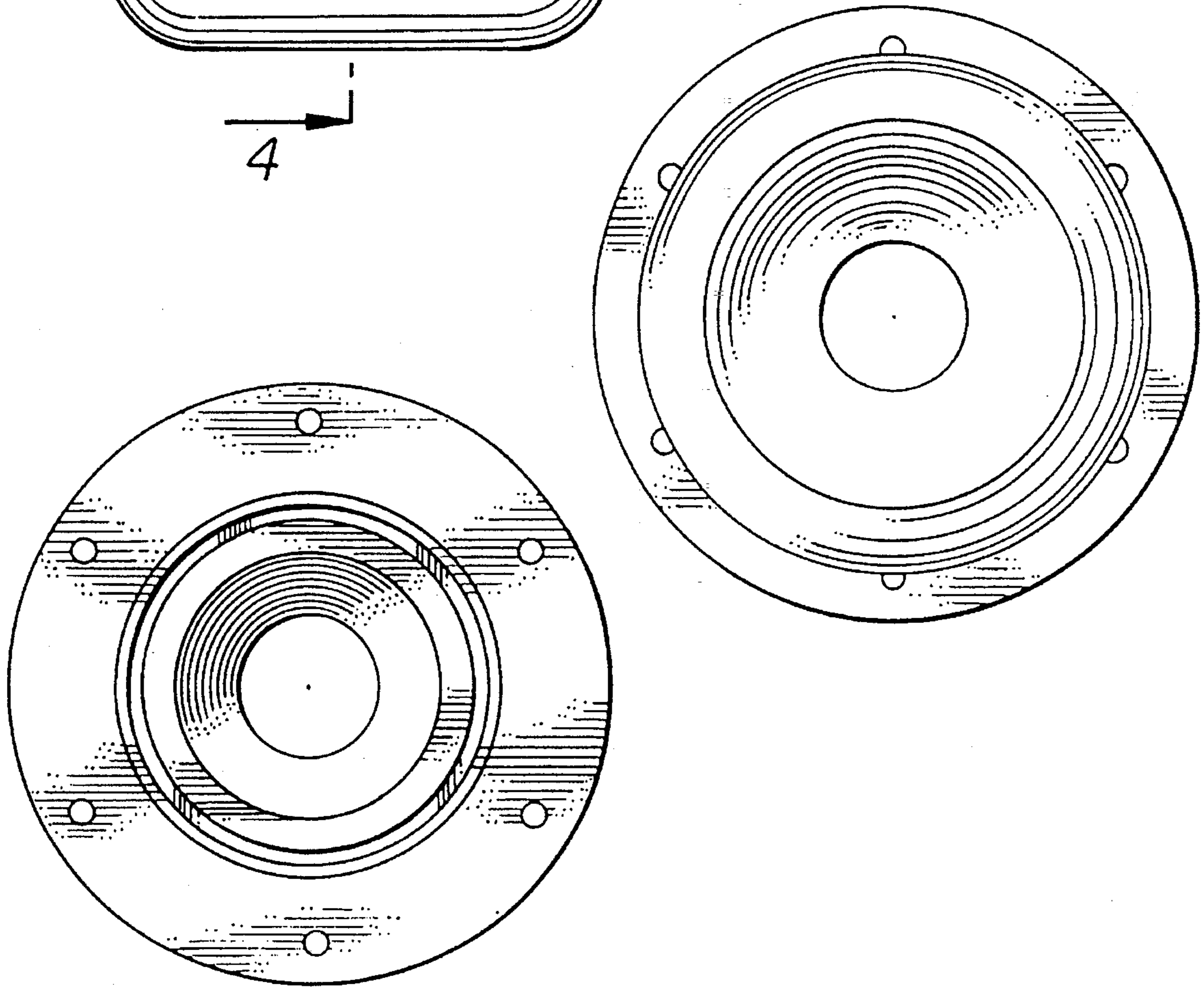


FIG. 3

FIG. 4

