



US00D364164S

United States Patent [19]

Hanig

[11] Patent Number: **Des. 364,164**

[45] Date of Patent: ****Nov. 14, 1995**

[54] RADIO

[75] Inventor: **James L. Hanig**, Highland, Ill.

[73] Assignee: **Hanig & Co.**, Lincolnwood, Ill.

[**] Term: **14 Years**

[21] Appl. No.: **27,300**

[22] Filed: **Aug. 18, 1994**

[52] U.S. Cl. **D14/192**; D14/194

[58] Field of Search D14/160-168,
D14/188, 192-198; 455/344, 347, 350,
351

[56] **References Cited**

U.S. PATENT DOCUMENTS

- D. 239,465 4/1976 Kawamura et al. D14/194
- D. 256,362 7/1980 Taguchi et al. D14/198
- D. 274,246 6/1984 Aoijs D14/194

- D. 277,575 2/1985 Hisano D14/194
- D. 327,269 6/1992 Totsuka et al. D14/197

Primary Examiner—Ted Shooman
Assistant Examiner—Nanda Bondade
Attorney, Agent, or Firm—Welsh & Katz, Ltd.

[57] **CLAIM**

The ornamental design for a radio, as shown and described.

DESCRIPTION

FIG. 1 is a perspective view of a radio showing my new design;
FIG. 2 is a left side elevational view thereof;
FIG. 3 is a front elevational view thereof;
FIG. 4 is a top plan view thereof;
FIG. 5 is a bottom plan view thereof;
FIG. 6 is a right side elevational view thereof; and,
FIG. 7 is a rear elevational view thereof.

1 Claim, 2 Drawing Sheets

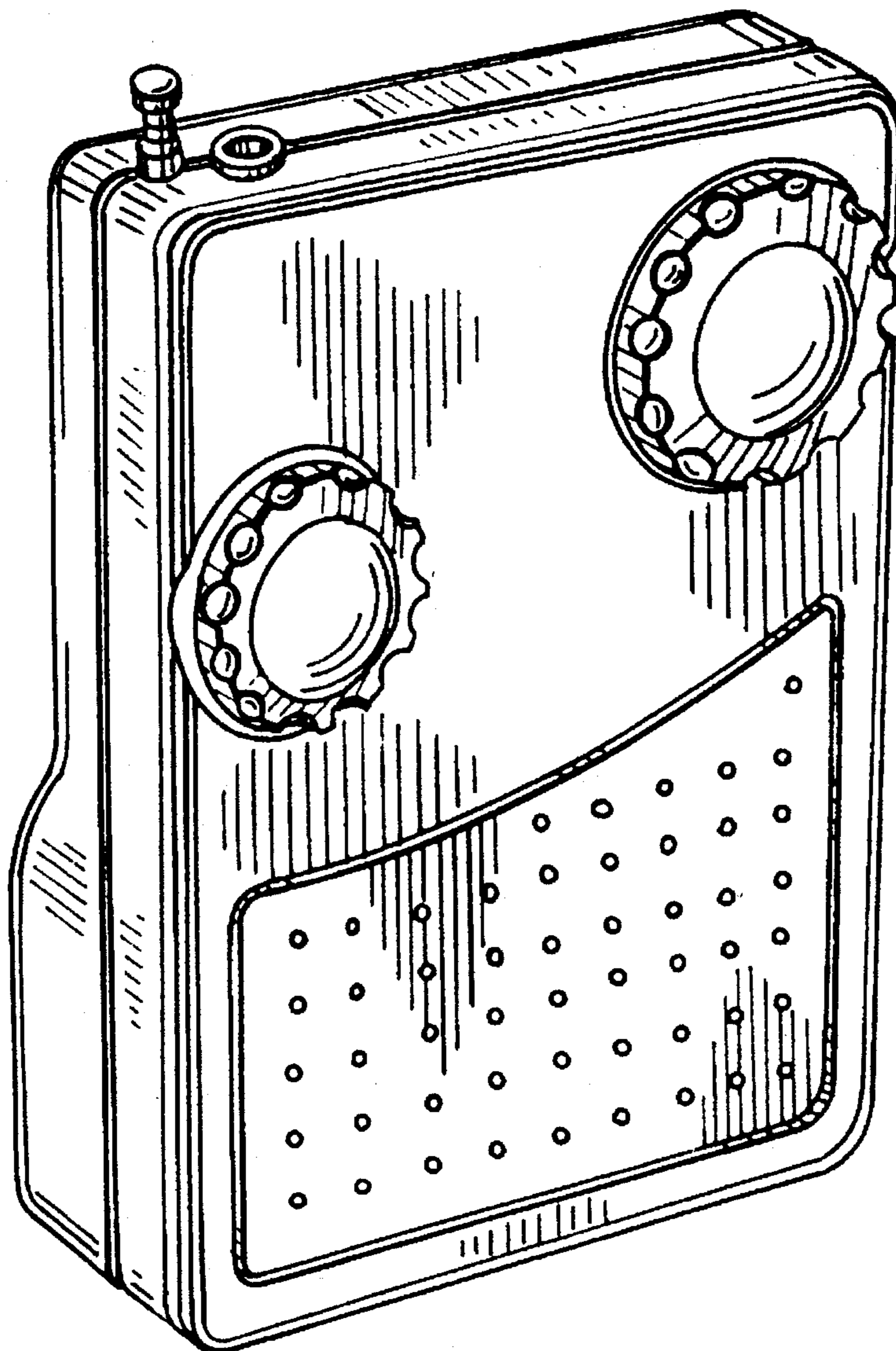


FIG. 1

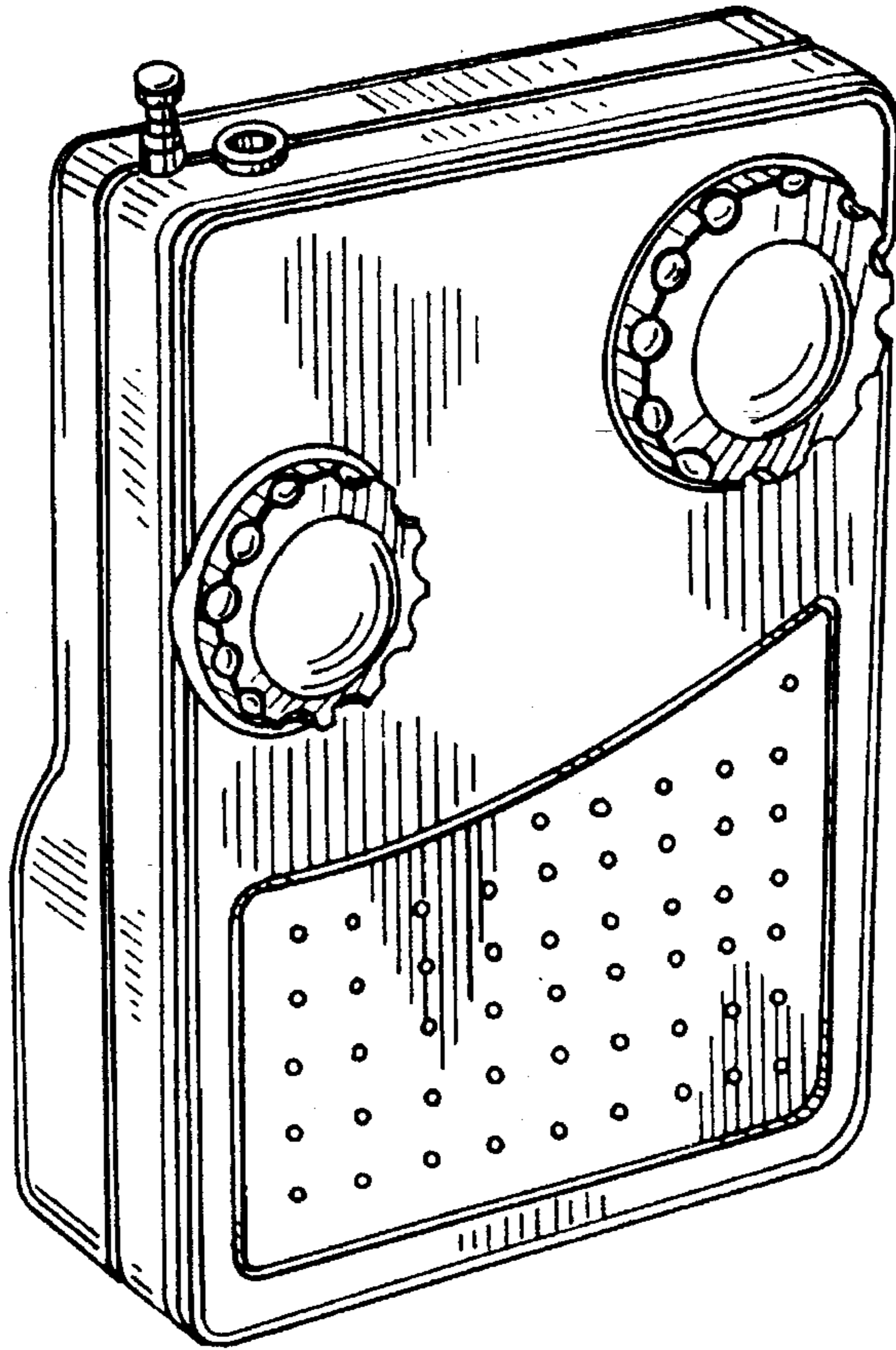


FIG. 2

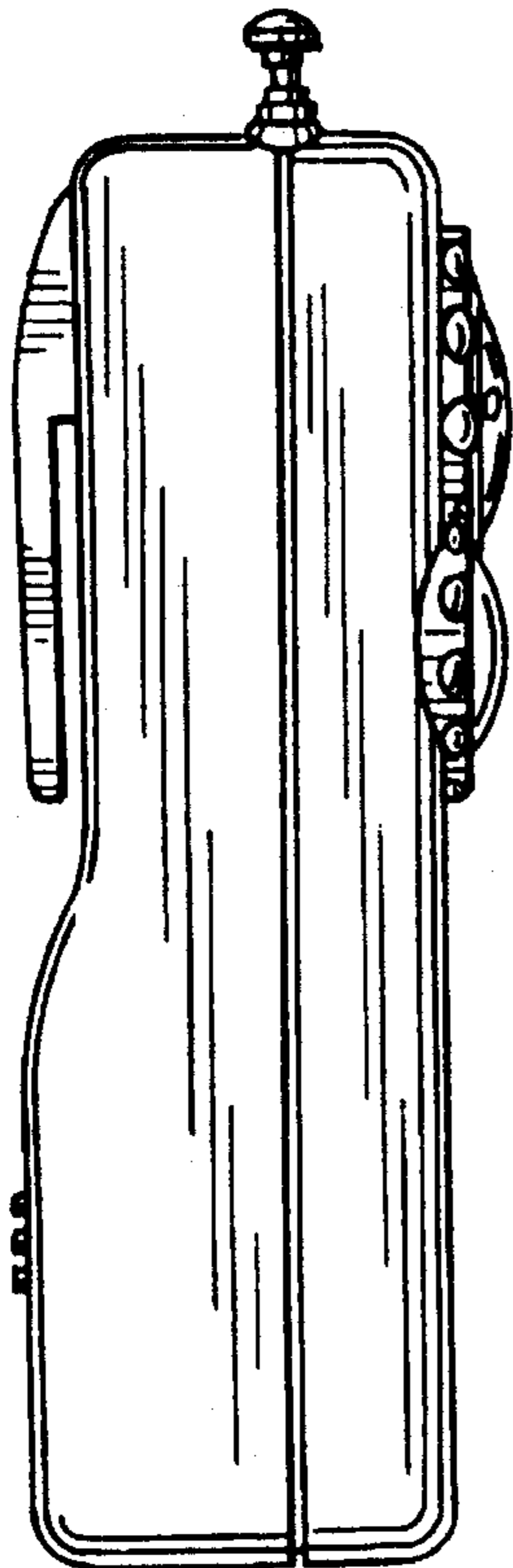


FIG. 3

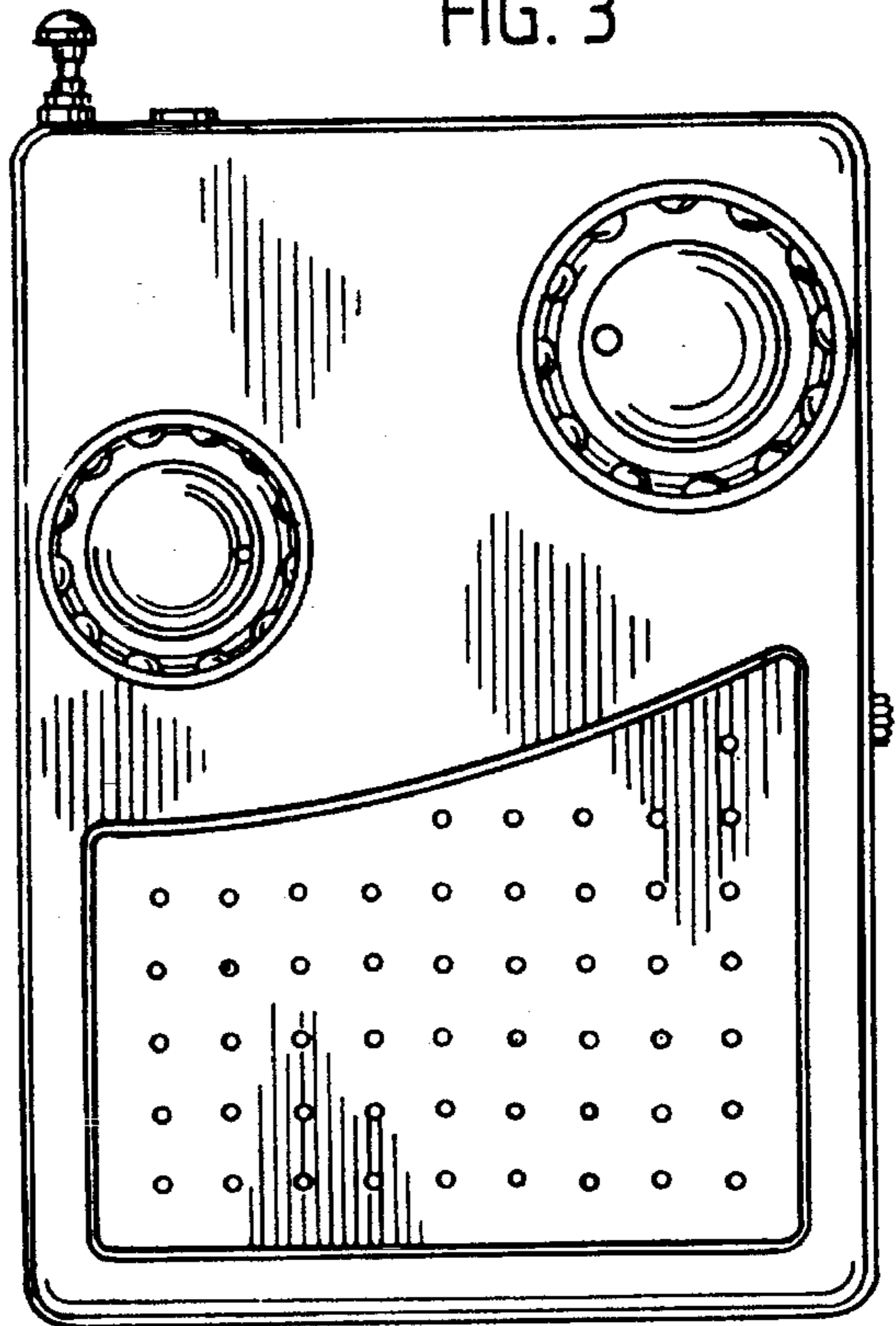


FIG. 4

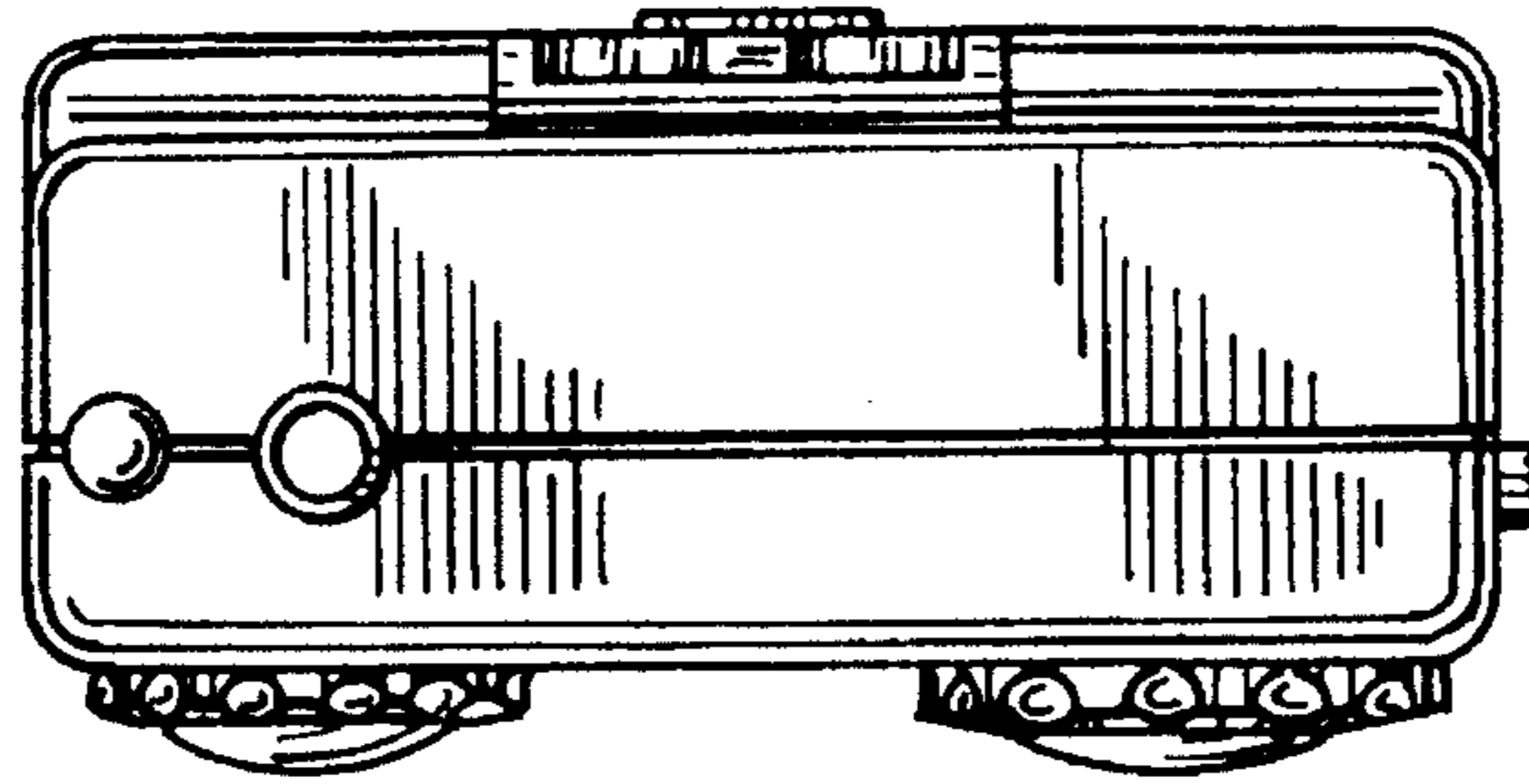


FIG. 5

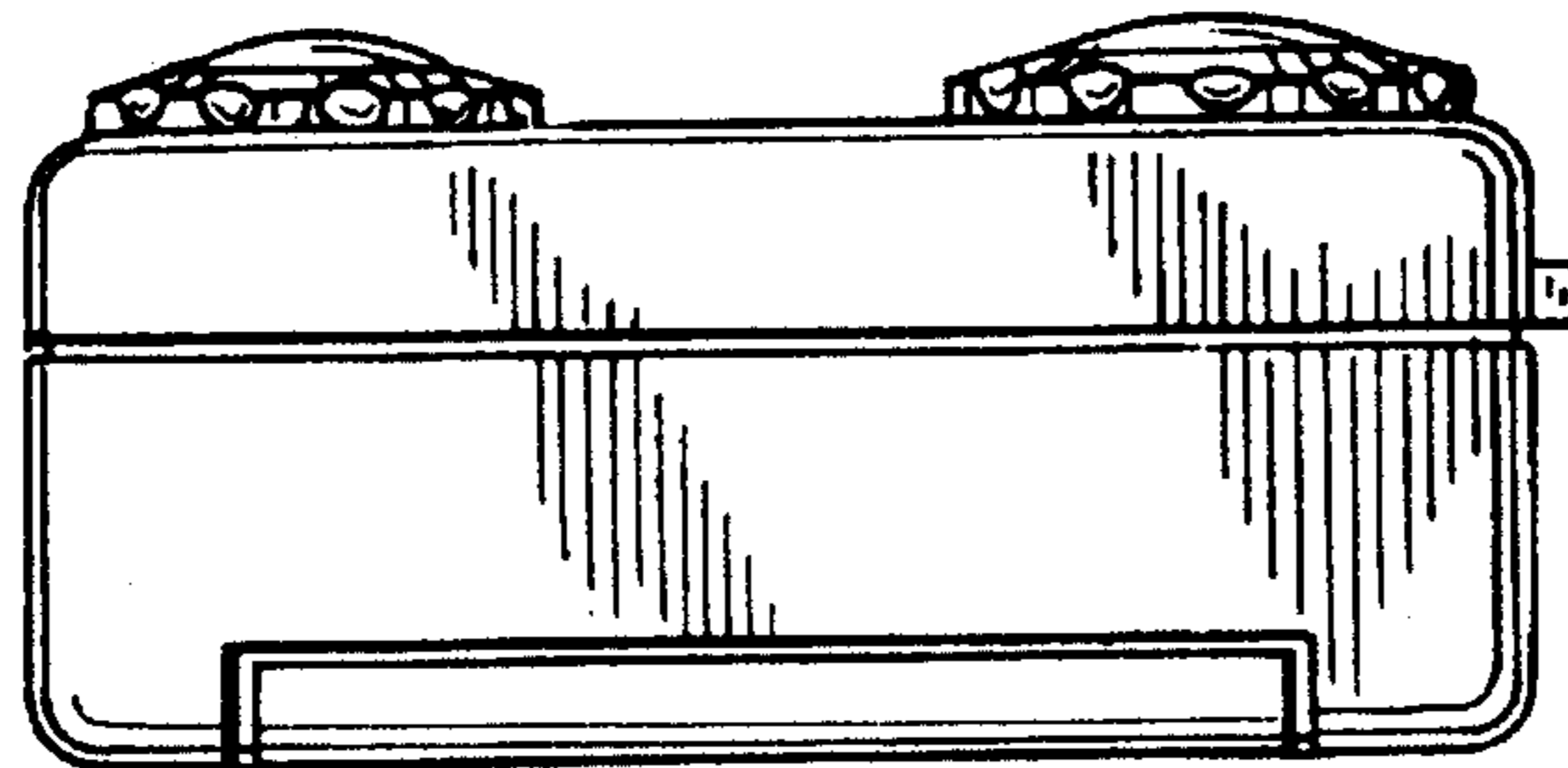


FIG. 6

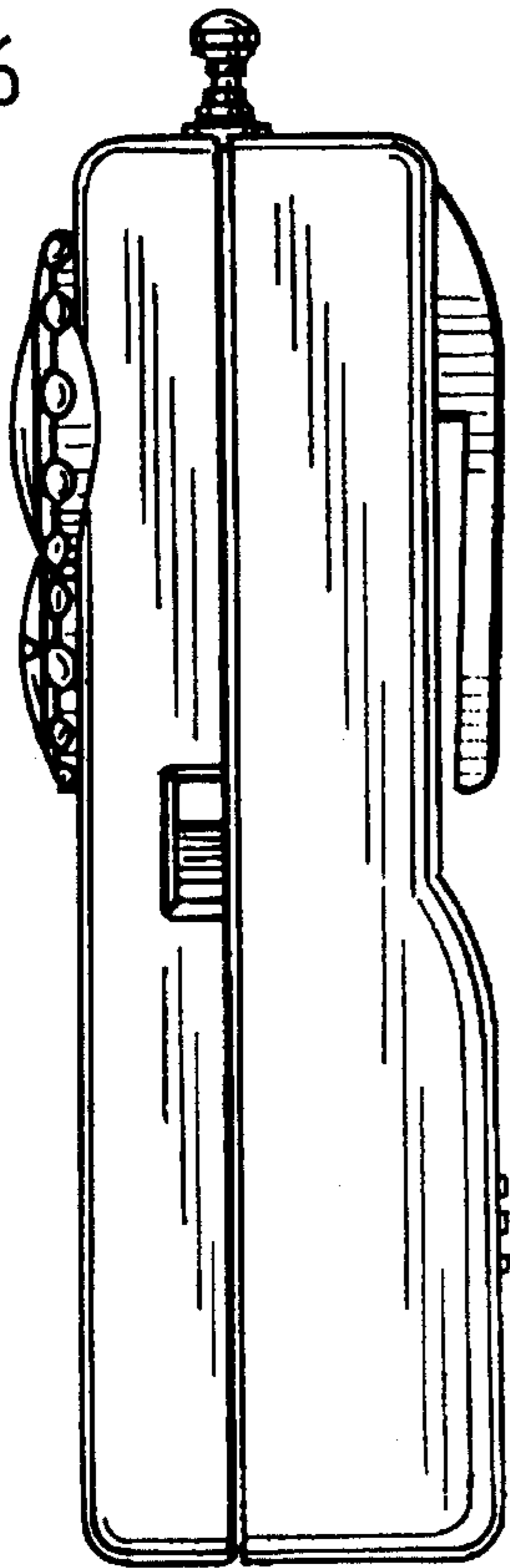


FIG. 7

