



US00D364162S

United States Patent [19]

Dagan

[11] Patent Number: Des. 364,162

[45] Date of Patent: **Nov. 14, 1995

[54] AMPLIFIER HOUSING

[75] Inventor: Gideon Dagan, Venice, Calif.

[73] Assignee: Aura Systems, Inc., El Segundo, Calif.

[**] Term: 14 Years

[21] Appl. No.: 18,102

[22] Filed: Jan. 27, 1994

[52] U.S. Cl. D14/188

[58] Field of Search D14/124, 155,
D14/158-159, 163, 168, 169, 171, 188-198,
265, 299; D21/48; 455/344, 350, 351

[56] **References Cited**

U.S. PATENT DOCUMENTS

D. 216,374	12/1969	Yran	D14/195	X
D. 281,776	12/1985	Griffin	D21/48	X
D. 306,589	3/1990	Murayama	D14/165	
D. 319,229	8/1991	Hino et al.	D14/126	

Primary Examiner—Terry A. Wallace
Assistant Examiner—Nanda Bondade
Attorney, Agent, or Firm—Anthony T. Cascio; Lisa A. Merkadeau

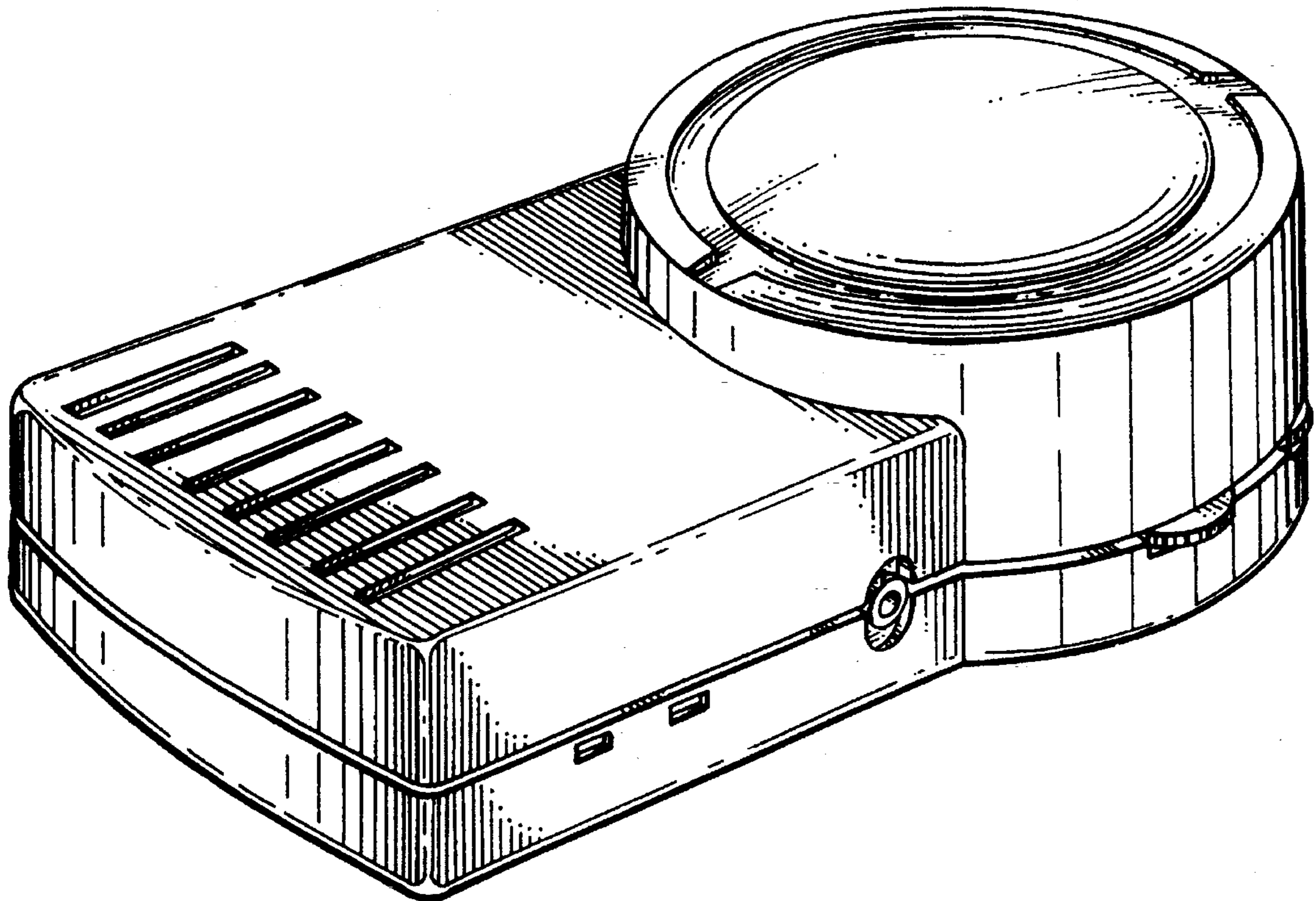
[57] **CLAIM**

The ornamental design for an amplifier housing, as shown and described.

DESCRIPTION

FIG. 1 is a perspective view of front, left and top sides of the amplifier housing;
FIG. 2 is a left side elevational view of the amplifier housing;
FIG. 3 is a right side elevational view of the amplifier housing;
FIG. 4 is a front elevational view of the amplifier housing;
FIG. 5 is a rear elevational view of the amplifier housing;
FIG. 6 is a top plan view of the amplifier housing; and,
FIG. 7 is a bottom plan view of the amplifier housing.

1 Claim, 3 Drawing Sheets



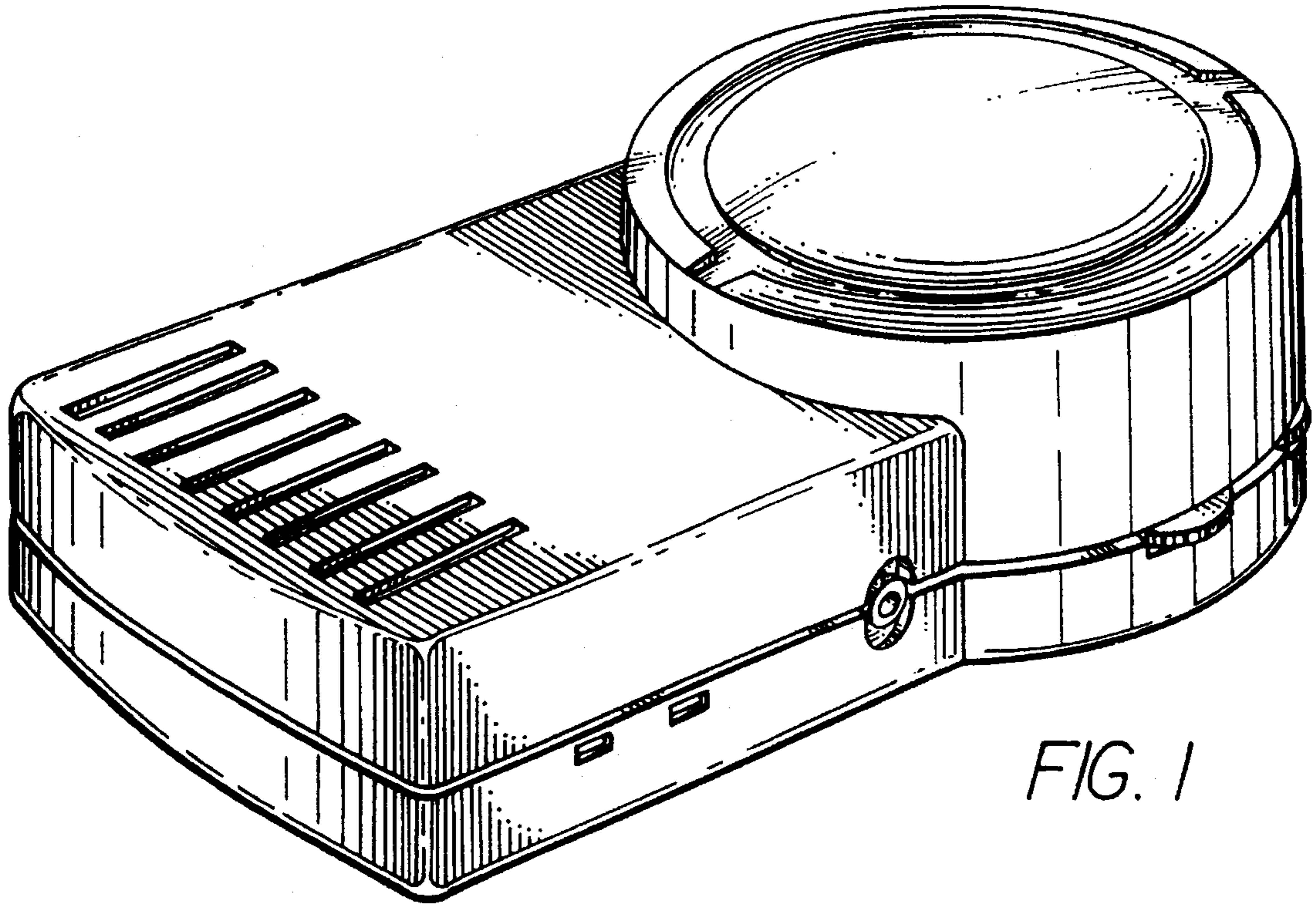


FIG. 1

FIG. 2

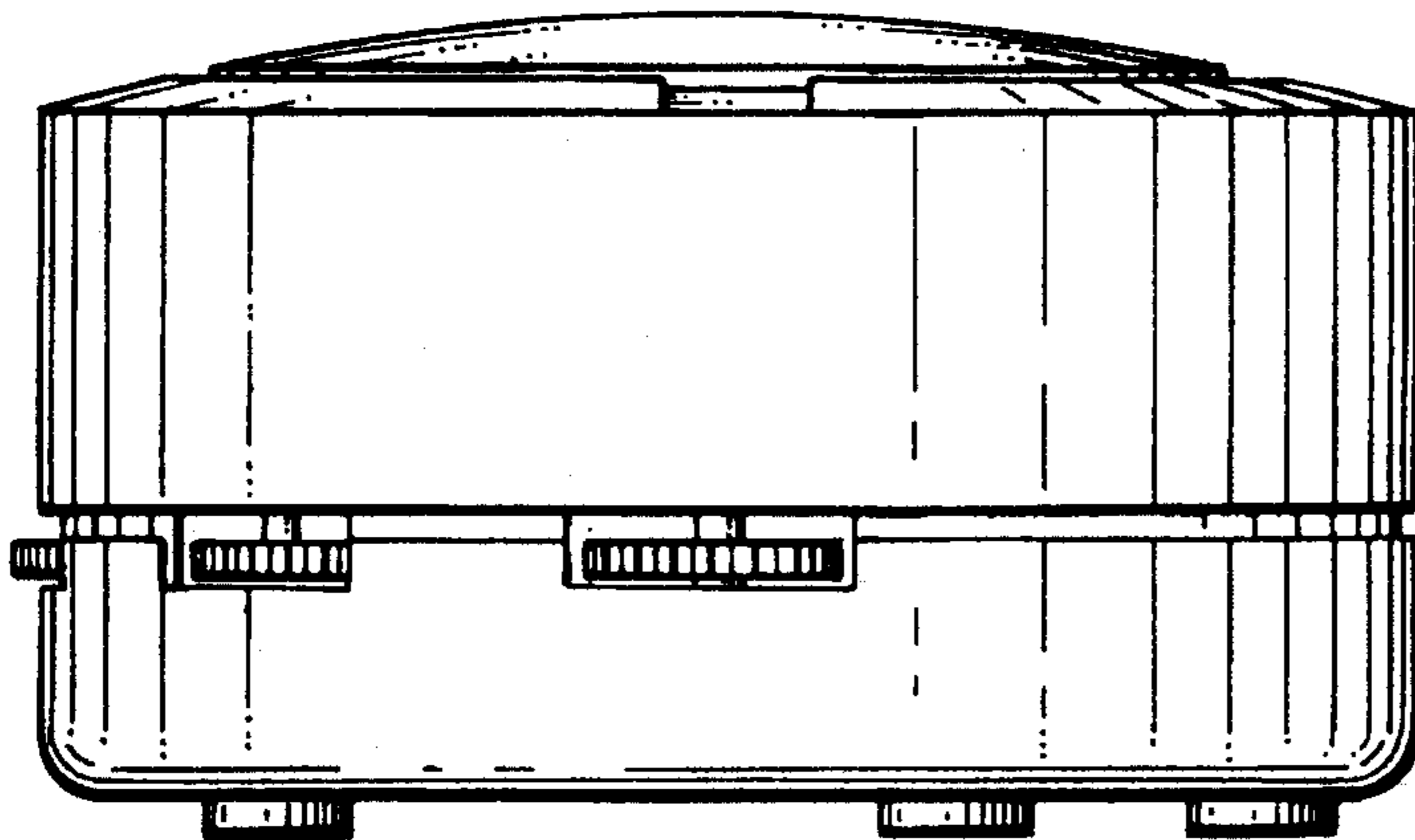
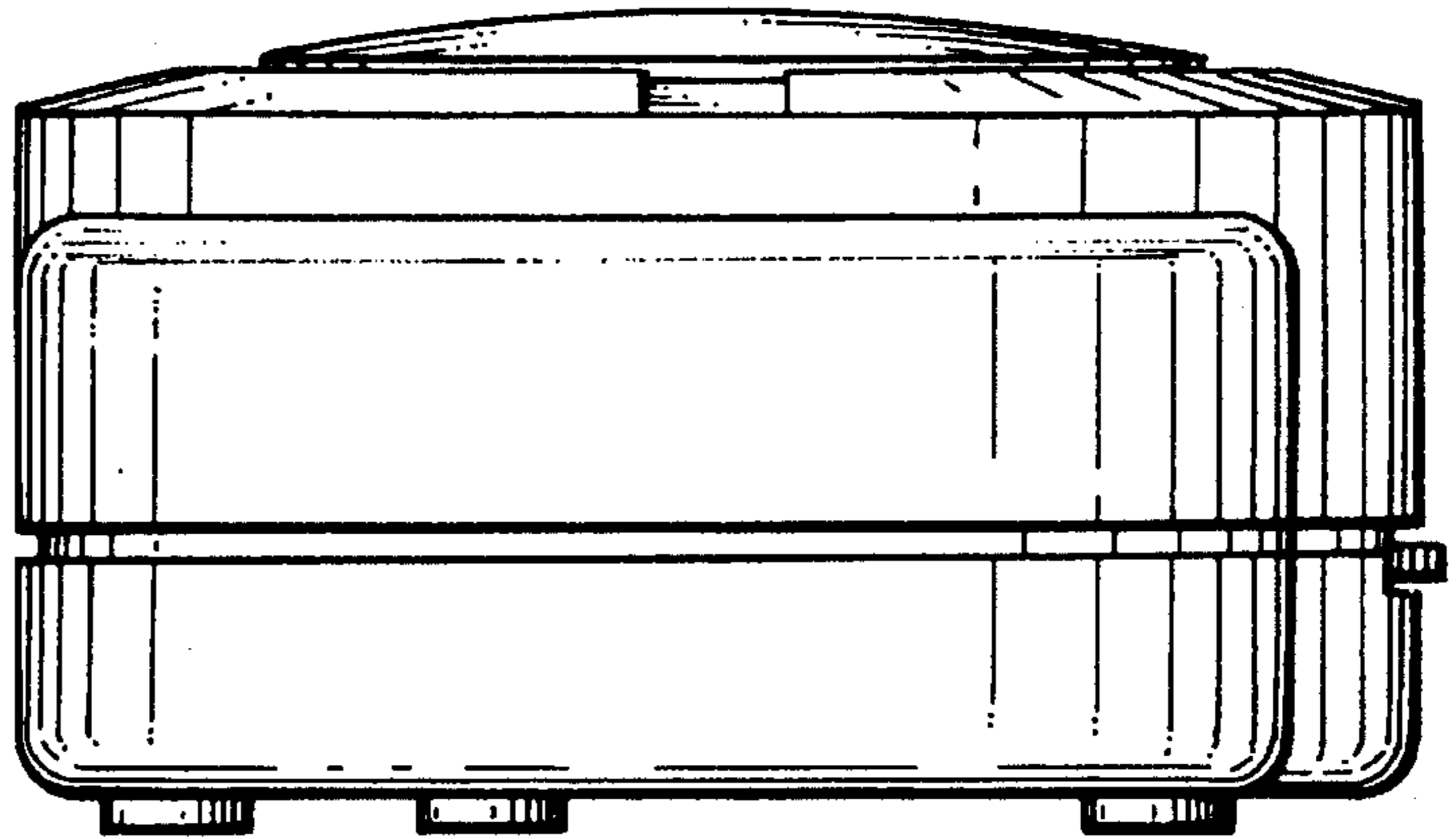


FIG. 3

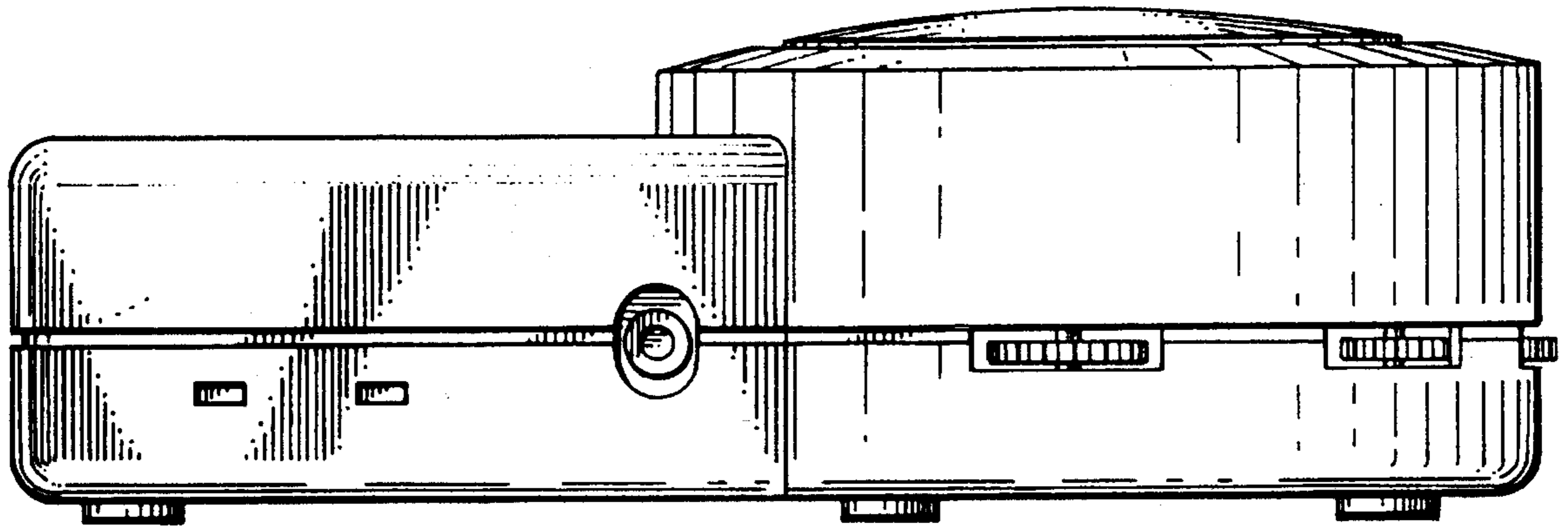


FIG. 4

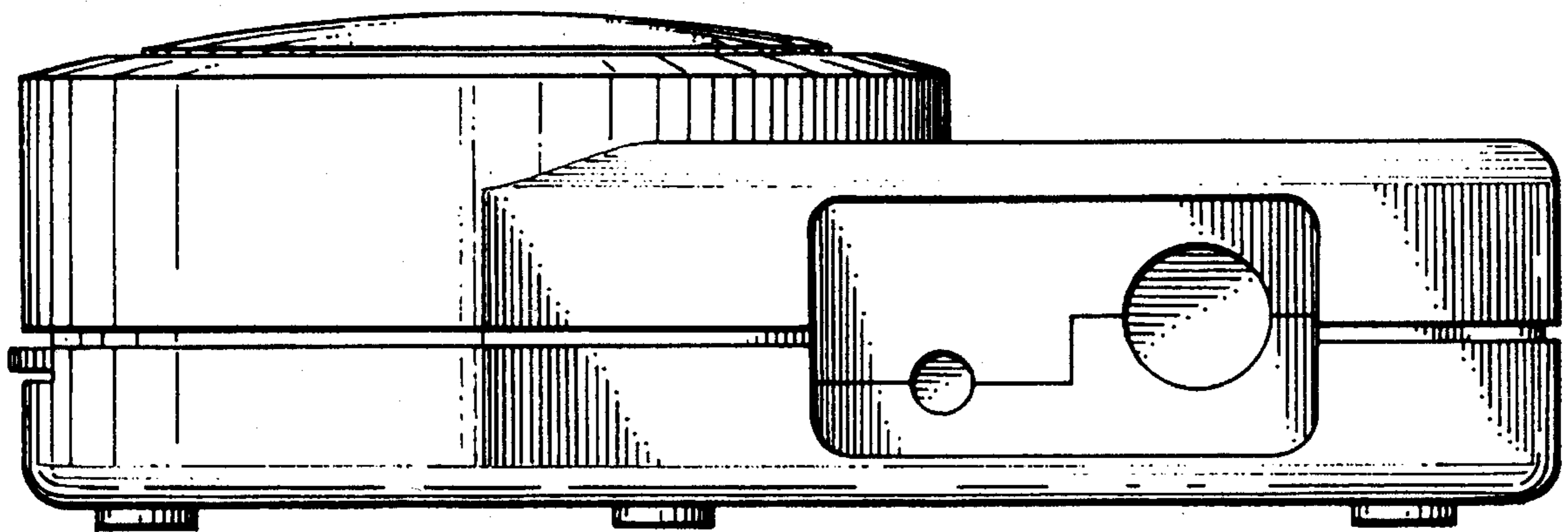


FIG. 5

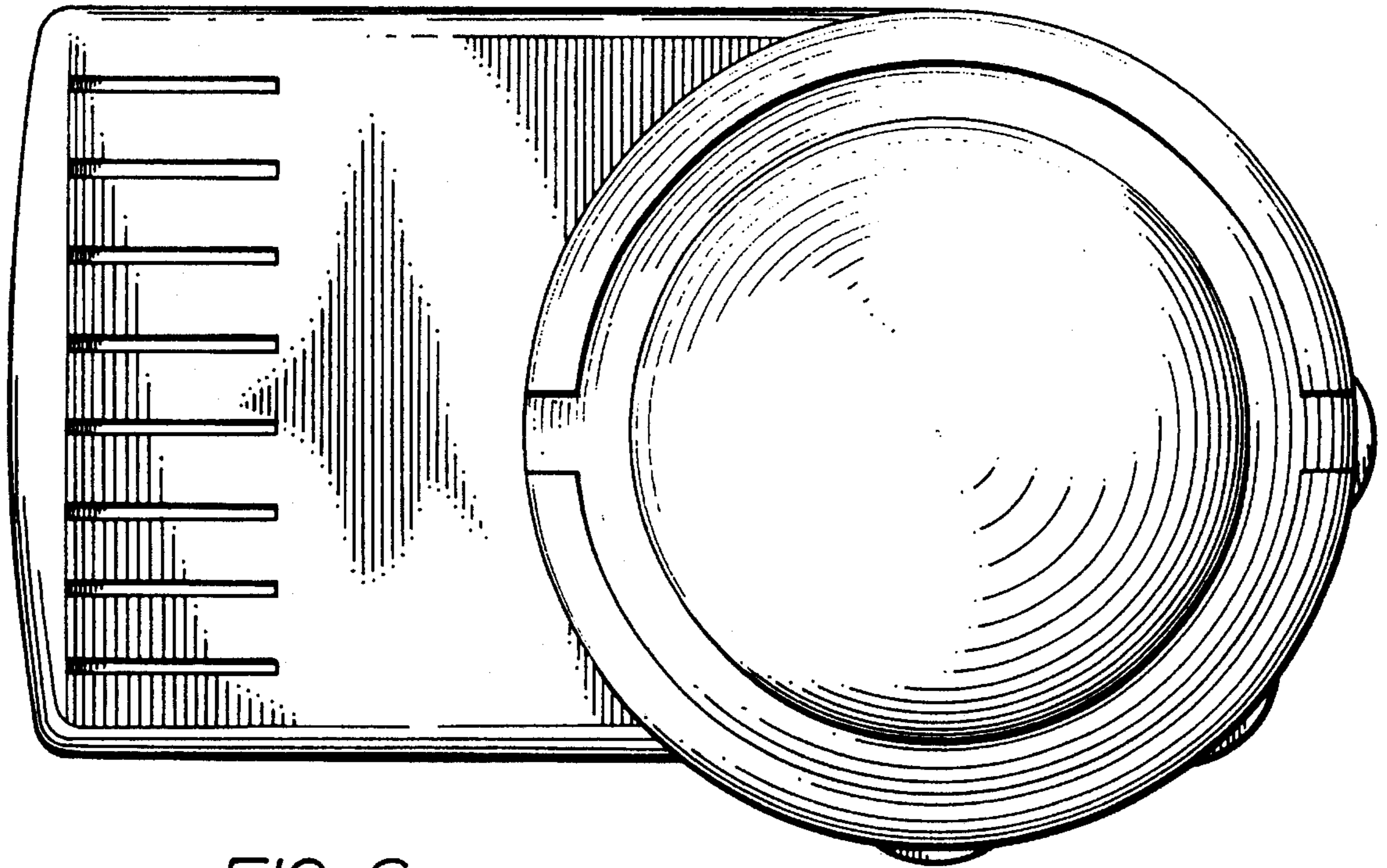


FIG. 6

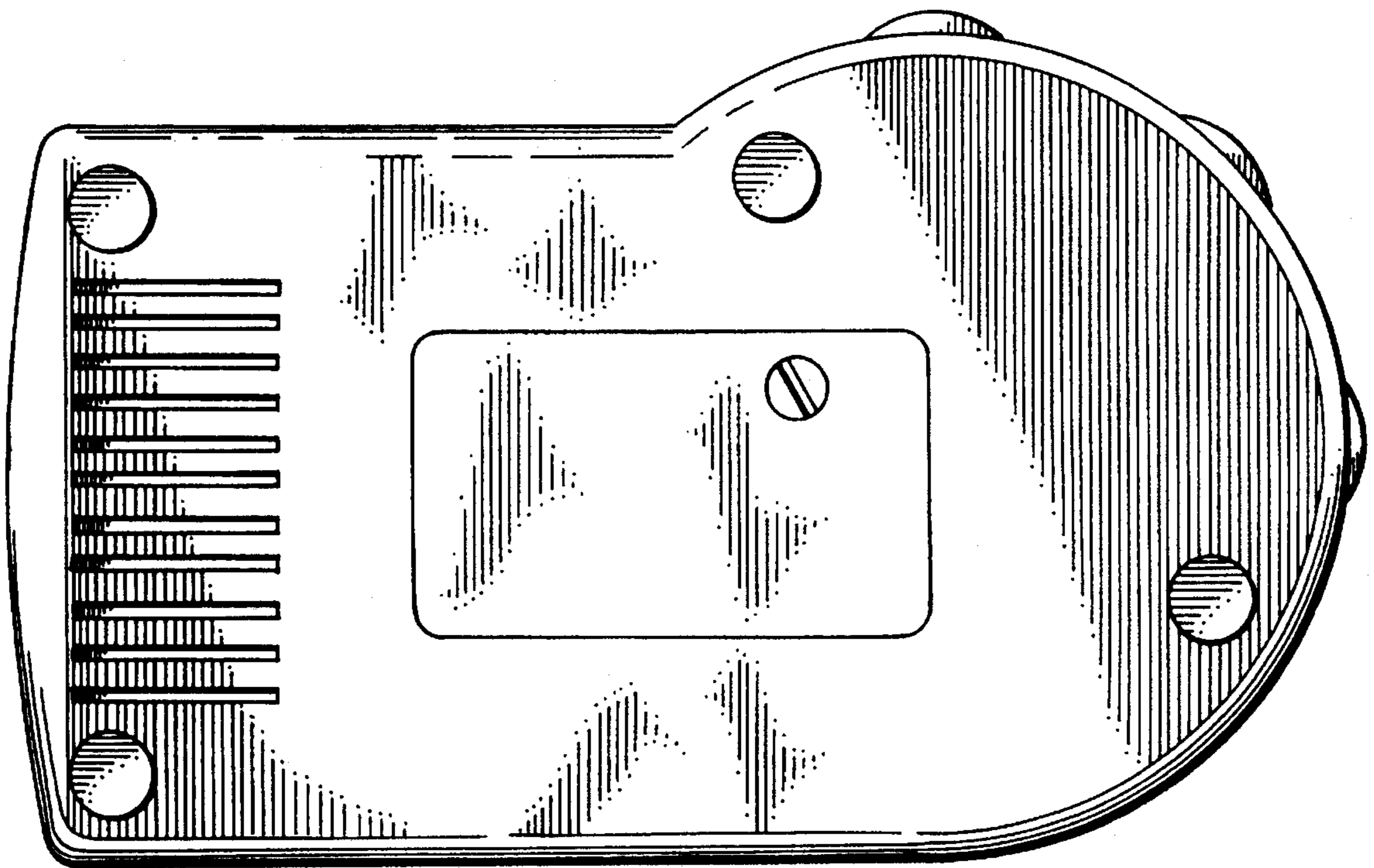


FIG. 7