



US00D364161S

# United States Patent [19] Campbell

[11] Patent Number: Des. 364,161

[45] Date of Patent: \*\*Nov. 14, 1995

[54] COMBINED LUNCH BOX AND RADIO

[76] Inventor: **Floyd Campbell**, 2677 Monterey,  
Detroit, Mich. 48206

[\*\*] Term: **14 Years**

[21] Appl. No.: **27,988**

[22] Filed: **Sep. 6, 1994**

[52] U.S. Cl. .... **D14/168; D7/605; D7/709**

[58] Field of Search ..... **D7/605, 709, 710;  
D14/188-189, 193-198; 455/344, 367,  
350-351**

[56] **References Cited**

**U.S. PATENT DOCUMENTS**

D. 237,089	10/1975	Walker	.....	D14/196
D. 288,320	2/1987	Roth et al.	.....	D14/196
D. 321,515	11/1991	Harris	.....	D7/605 X
D. 351,318	10/1994	Wedi	.....	D7/605
4,279,342	7/1981	Van Pelt	.....	D7/709 X

*Primary Examiner*—Ted Shooman  
*Assistant Examiner*—Nanda Bondade  
*Attorney, Agent, or Firm*—Terry M. Gernstein

[57] **CLAIM**

The ornamental design for a combined lunch box and radio, as shown and described.

**DESCRIPTION**

FIG. 1 is a front, top and right side perspective view of a combined lunch box and radio showing my new design, with the lid open;

FIG. 2 is a front elevational view thereof, with the lid closed;

FIG. 3 is a rear elevational view thereof;

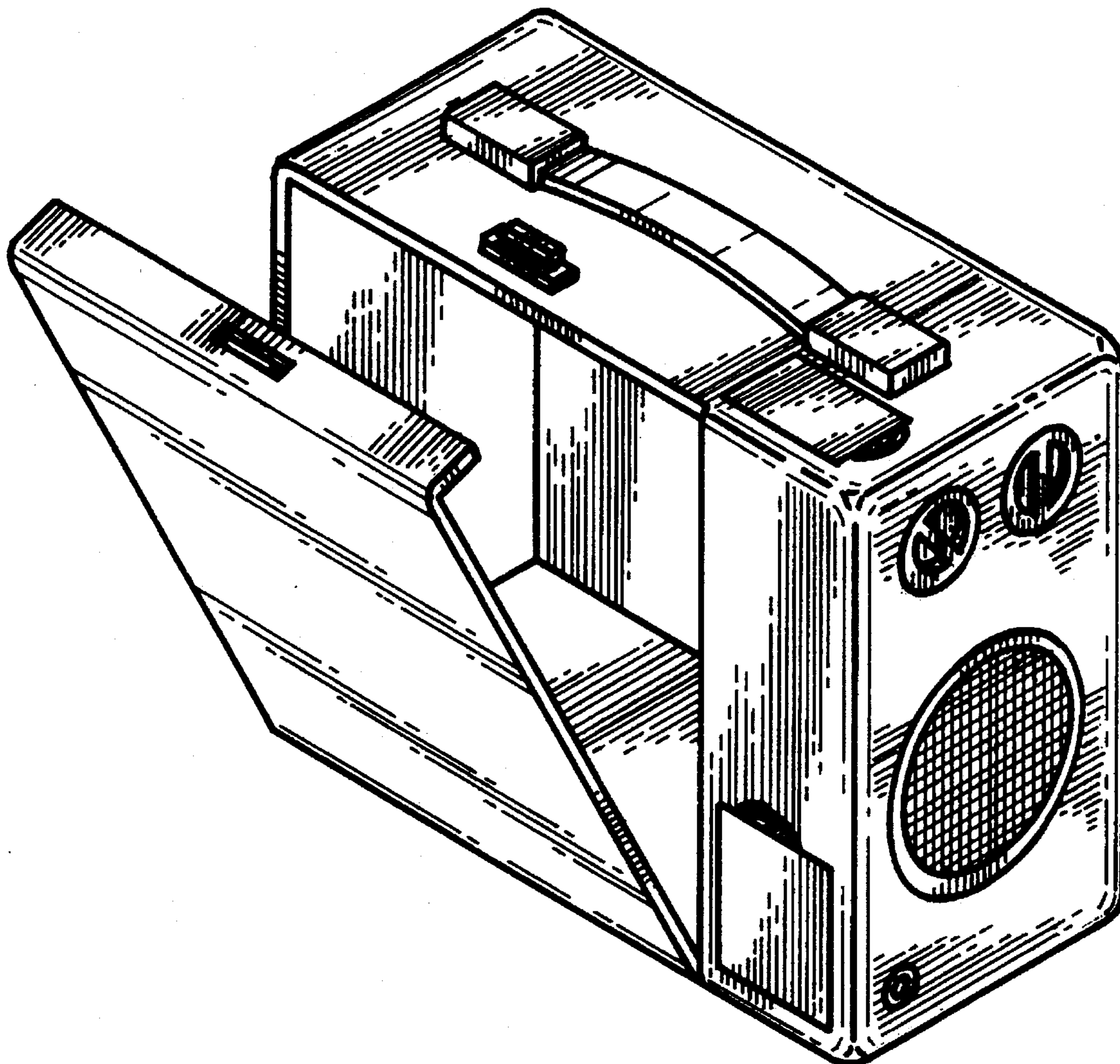
FIG. 4 is a left side elevational view thereof;

FIG. 5 is a right side elevational view thereof;

FIG. 6 is a bottom plan view thereof; and,

FIG. 7 is a top plan view thereof.

**1 Claim, 2 Drawing Sheets**



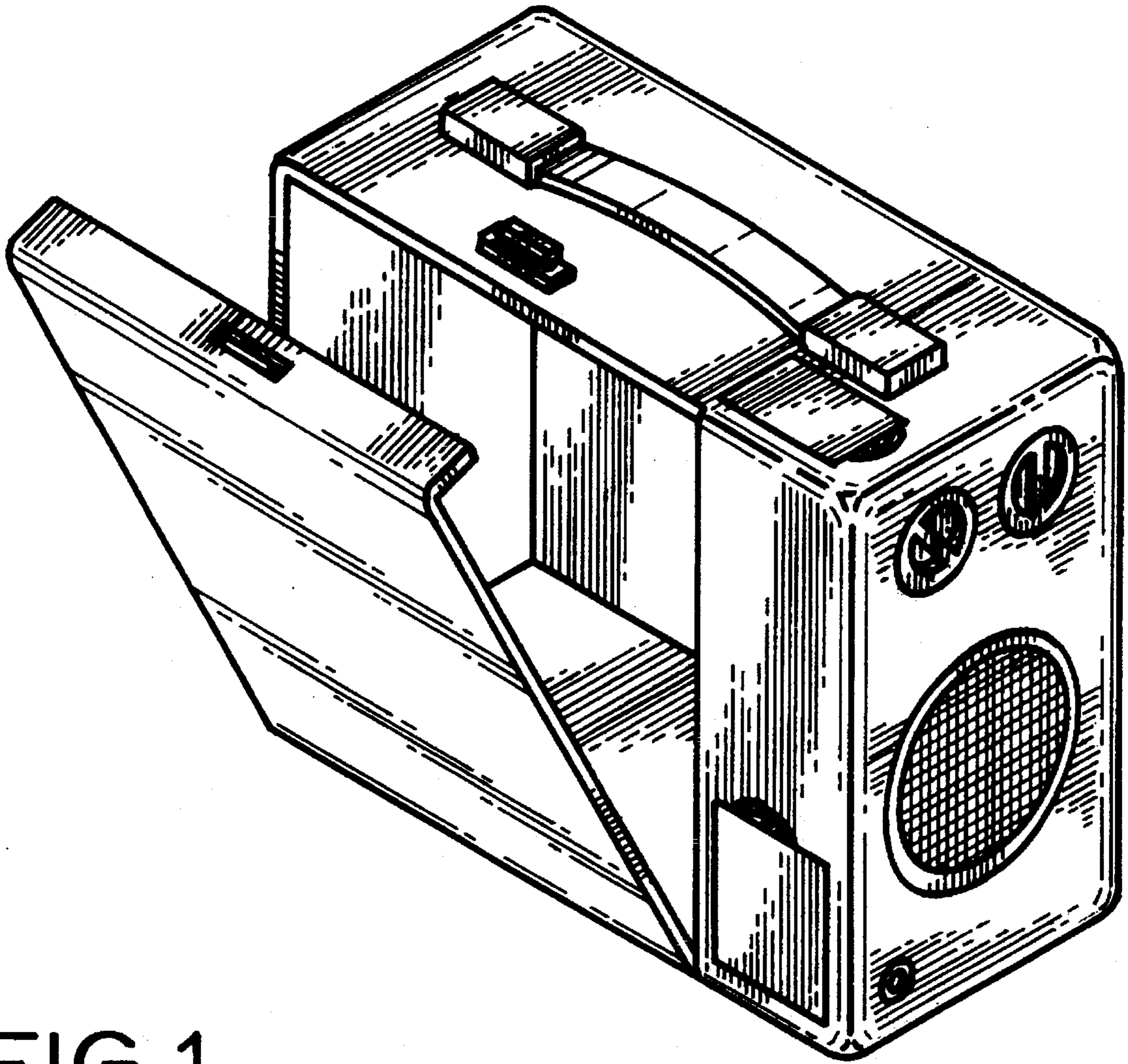


FIG. 1

FIG. 2

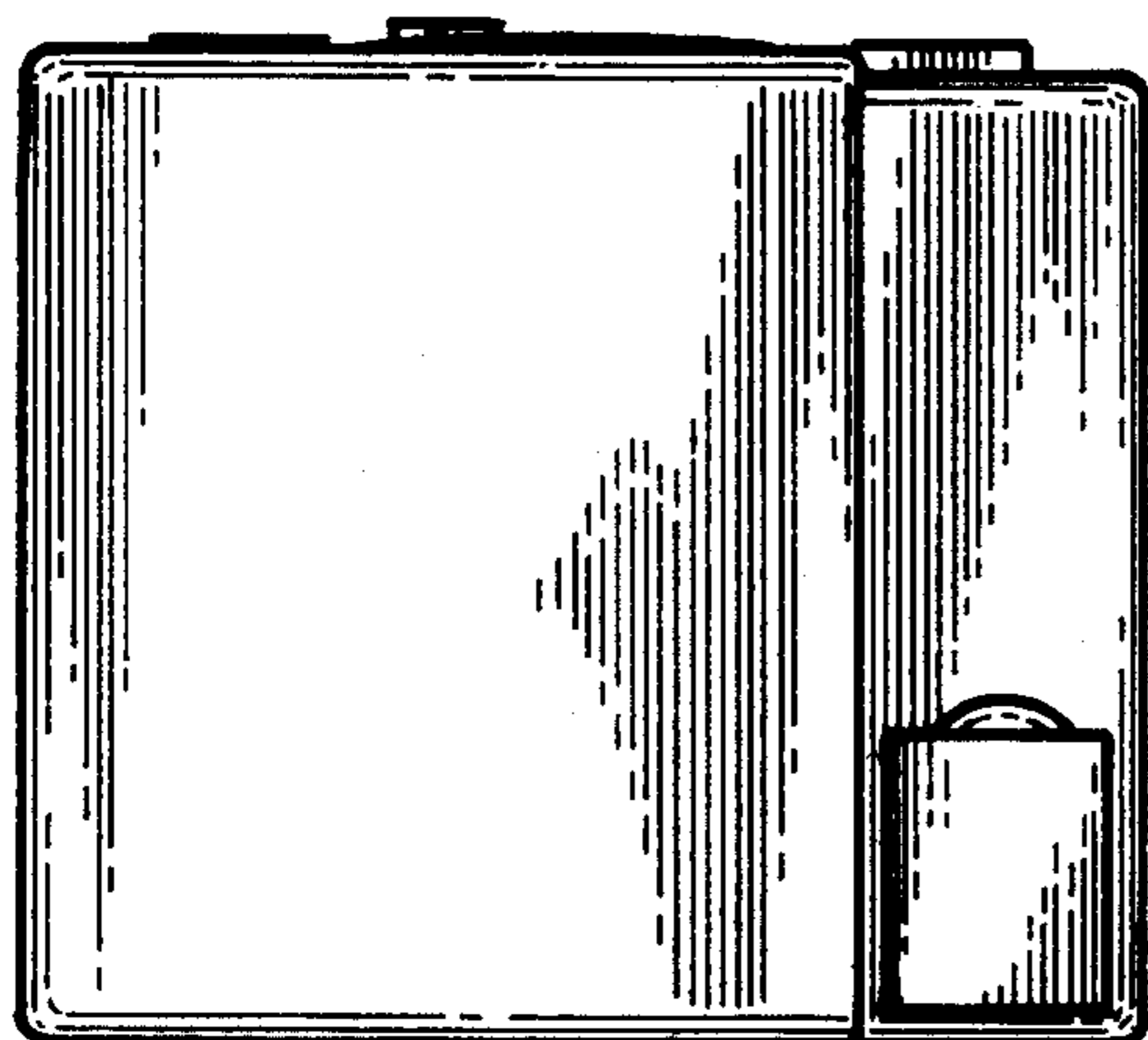


FIG. 3

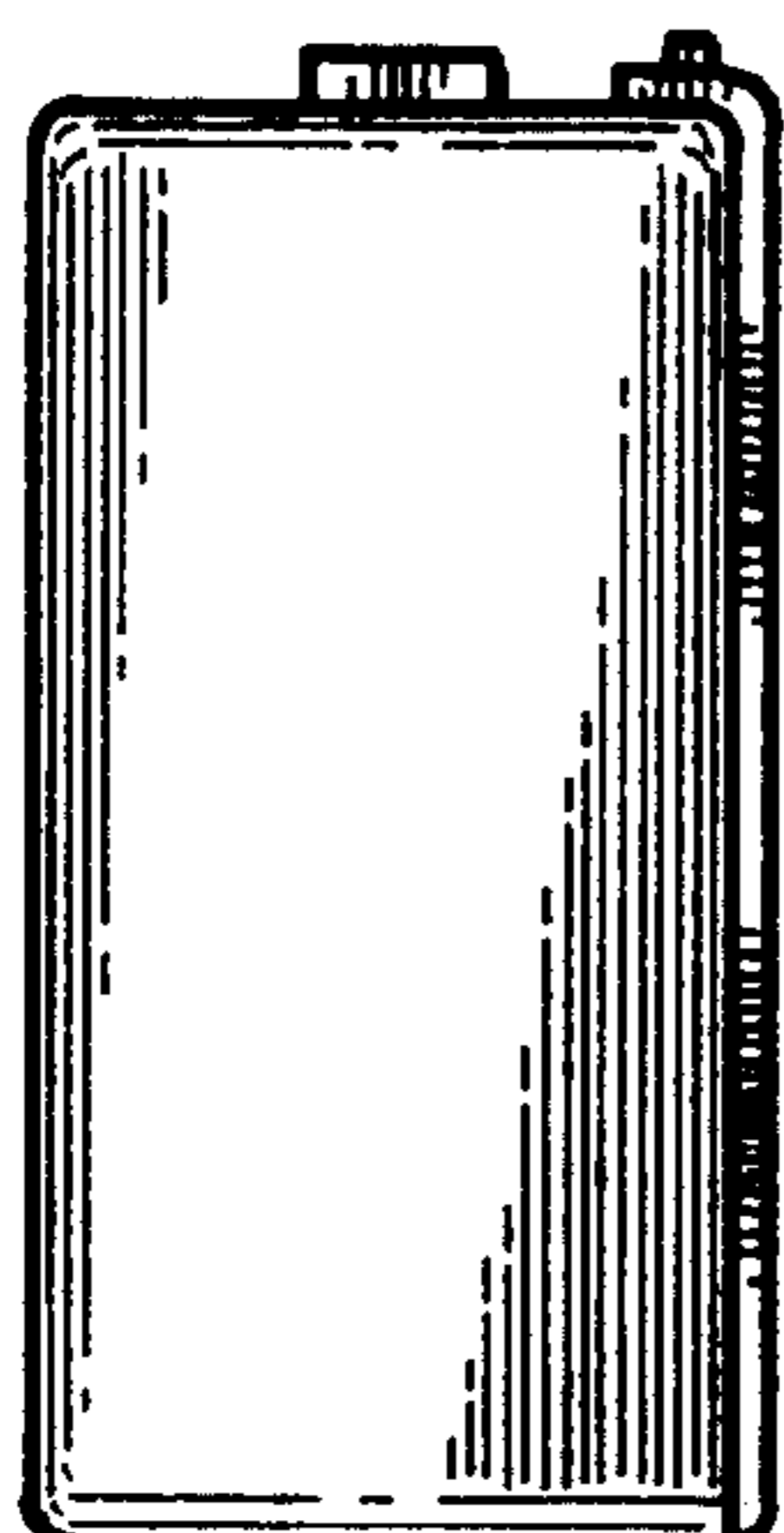
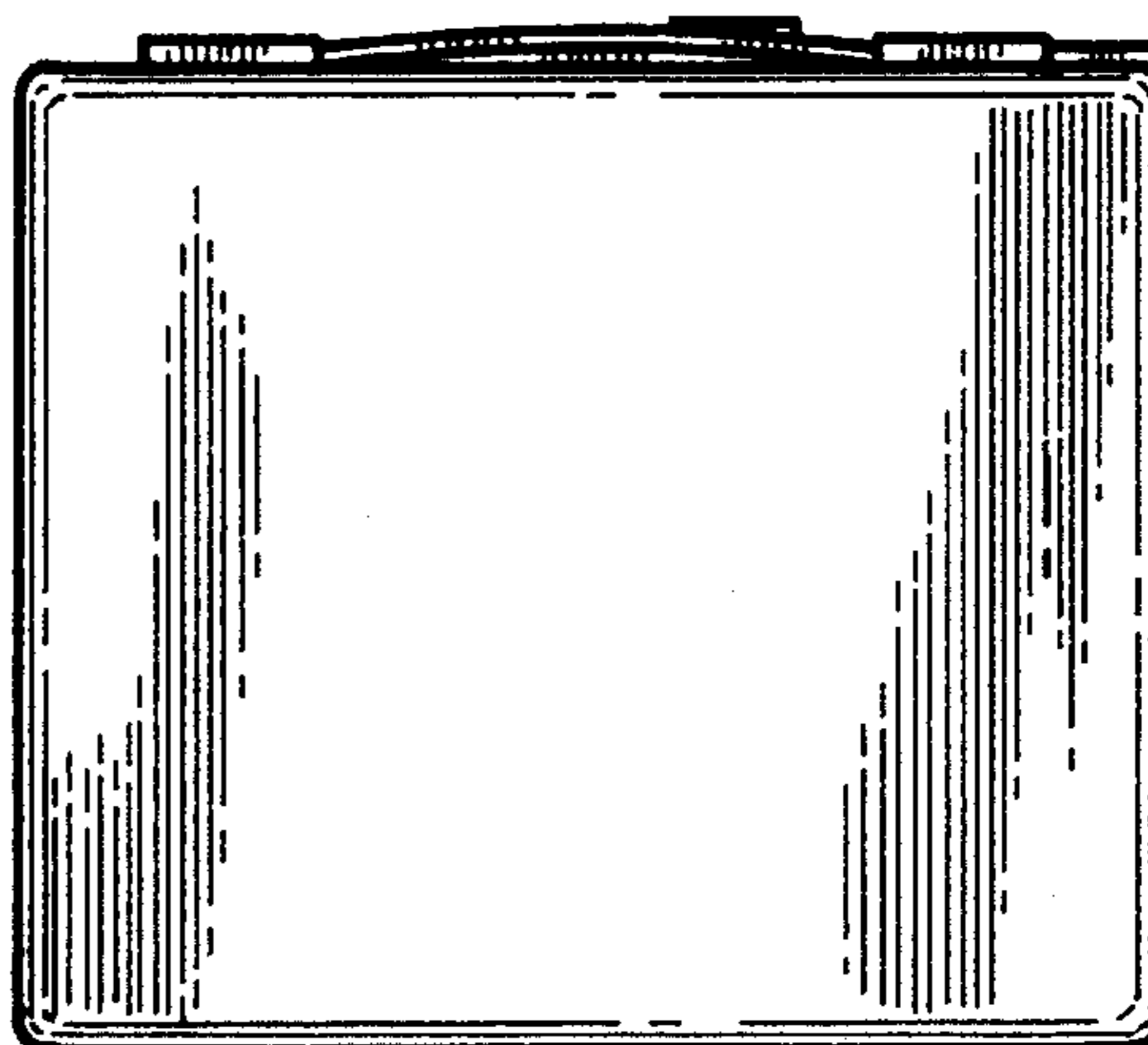


FIG. 4

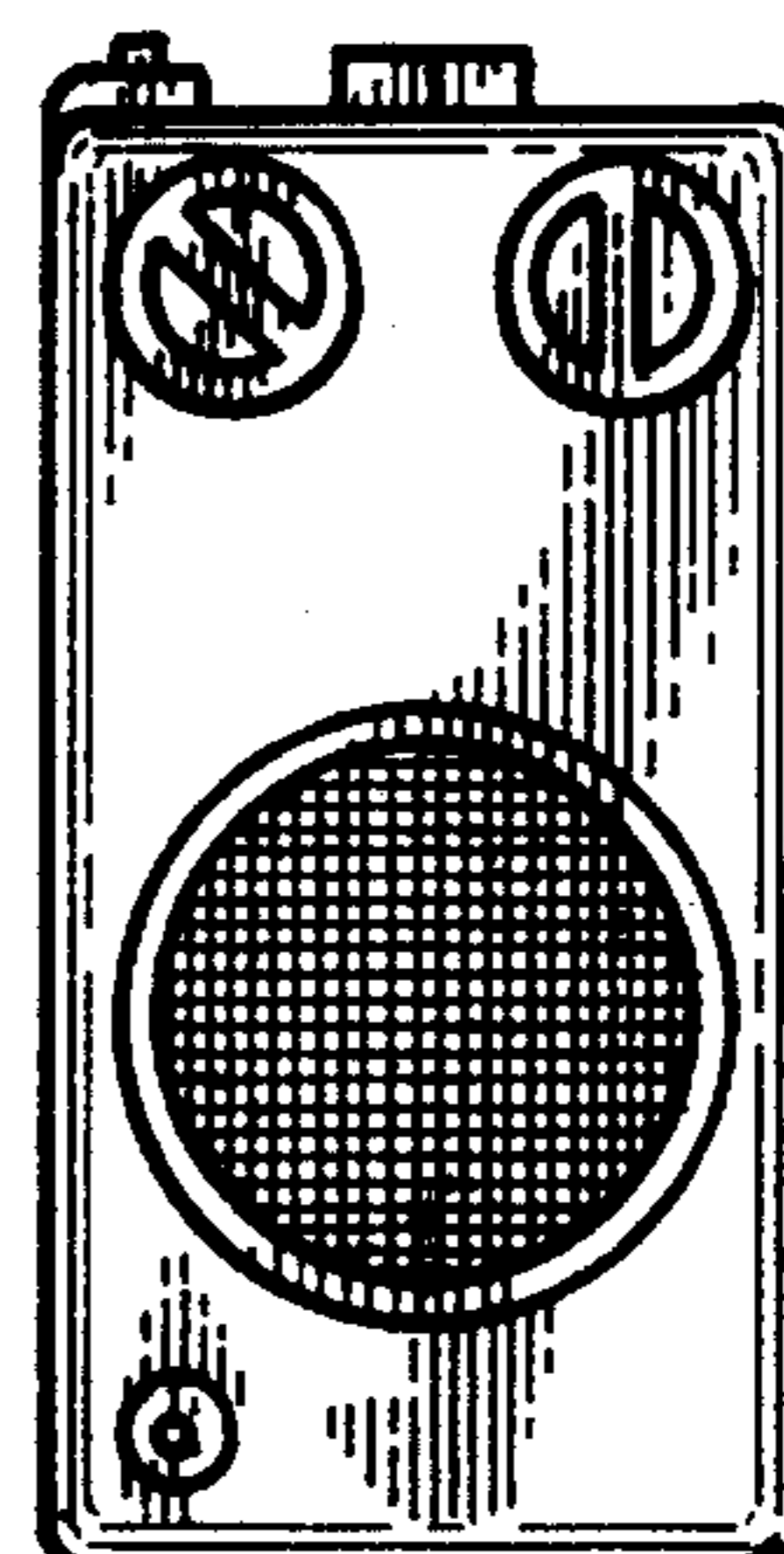


FIG. 5

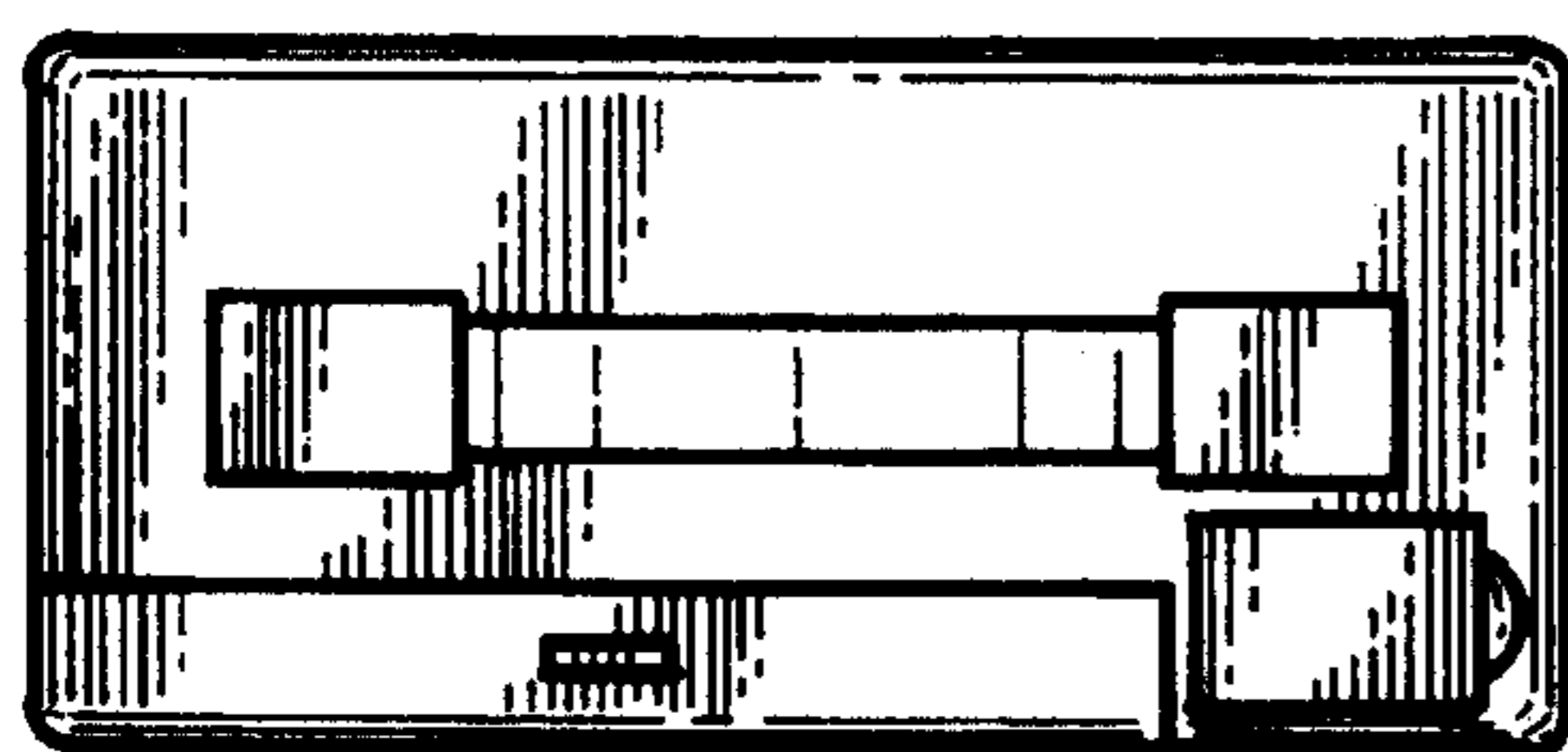


FIG. 7

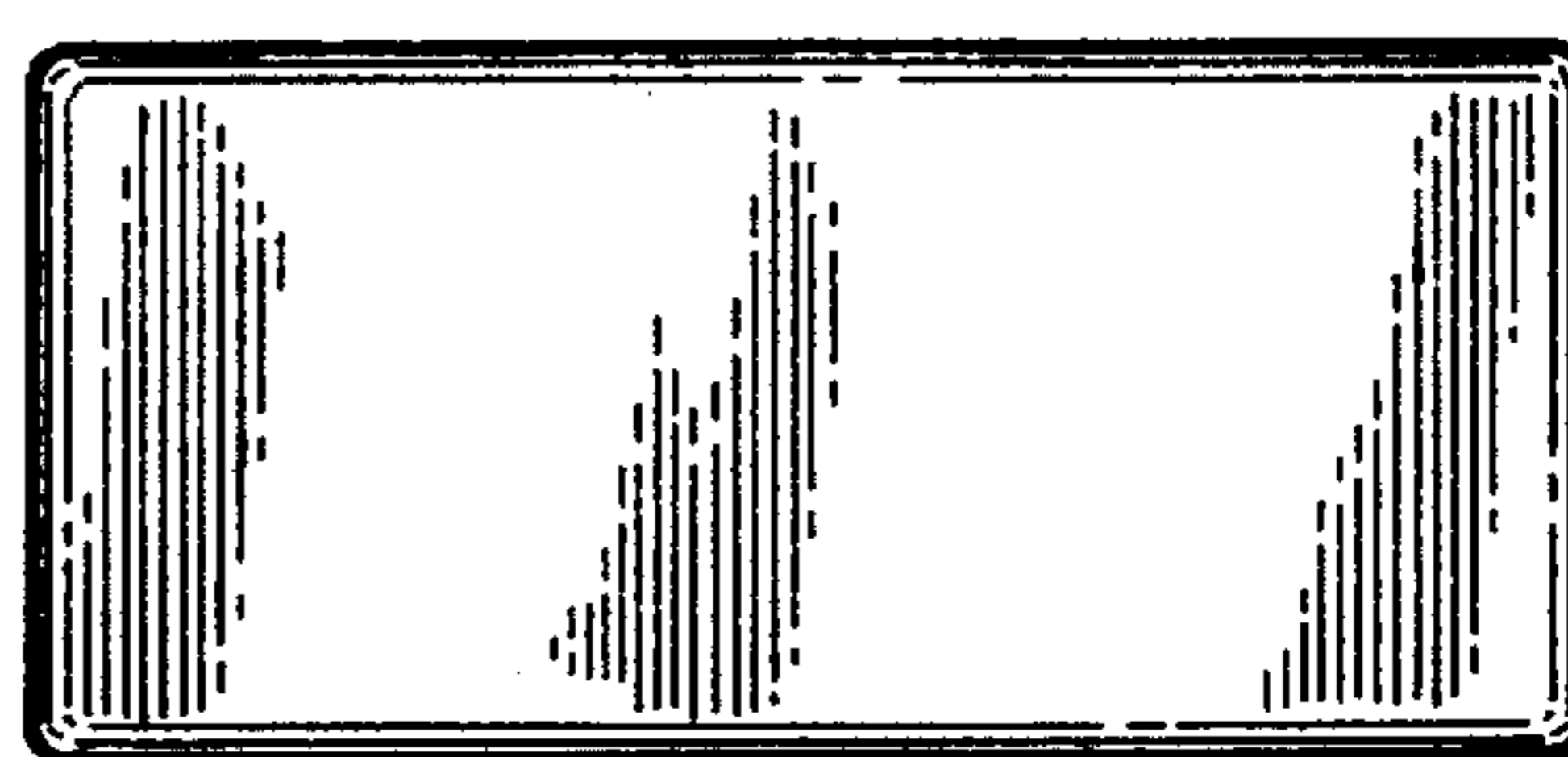


FIG. 6