



US00D364157S

United States Patent [19] Sharp

[11] **Patent Number:** **Des. 364,157**

[45] **Date of Patent:** ****Nov. 14, 1995**

[54] **VIDEO DISPLAY CONSOLE**
[75] **Inventor:** **Michael H. Sharp**, Johnstone, Great Britain

D. 289,757 5/1987 House D14/127
D. 289,870 5/1987 Berchtold D14/133
D. 294,354 2/1988 West et al. D14/133
D. 345,968 4/1994 Bruce et al. D16/225

[73] **Assignee:** **International Business Machines Corporation**, Armonk, N.Y.

Primary Examiner—Terry A. Wallace
Assistant Examiner—Richelle Shelton
Attorney, Agent, or Firm—Bernard D. Bogdon

[**] **Term:** **14 Years**

[57] **CLAIM**

[21] **Appl. No.:** **20,750**

The ornamental design for a video display console, as shown and described.

[22] **Filed:** **Mar. 31, 1994**

DESCRIPTION

[30] **Foreign Application Priority Data**

FIG. 1 is a top front and left side perspective view of a video display console showing the new design; FIG. 2 is a top rear and right side perspective view thereof; FIG. 3 is a front elevational view thereof; FIG. 4 is a rear elevational view thereof; FIG. 5 is a left side elevational view thereof; FIG. 6 is a right side elevational view thereof; FIG. 7 is a top plan view thereof; and, FIG. 8 is a bottom plan view thereof.

Oct. 5, 1993 [GB] United Kingdom 2034314

[52] **U.S. Cl.** **D14/133**

[58] **Field of Search** D14/124-134, D14/299; 348/825, 836, 838; D6/421; D16/225, 226; 312/7.2

[56] **References Cited**

U.S. PATENT DOCUMENTS

D. 221,111 7/1971 Melton D16/225

1 Claim, 8 Drawing Sheets

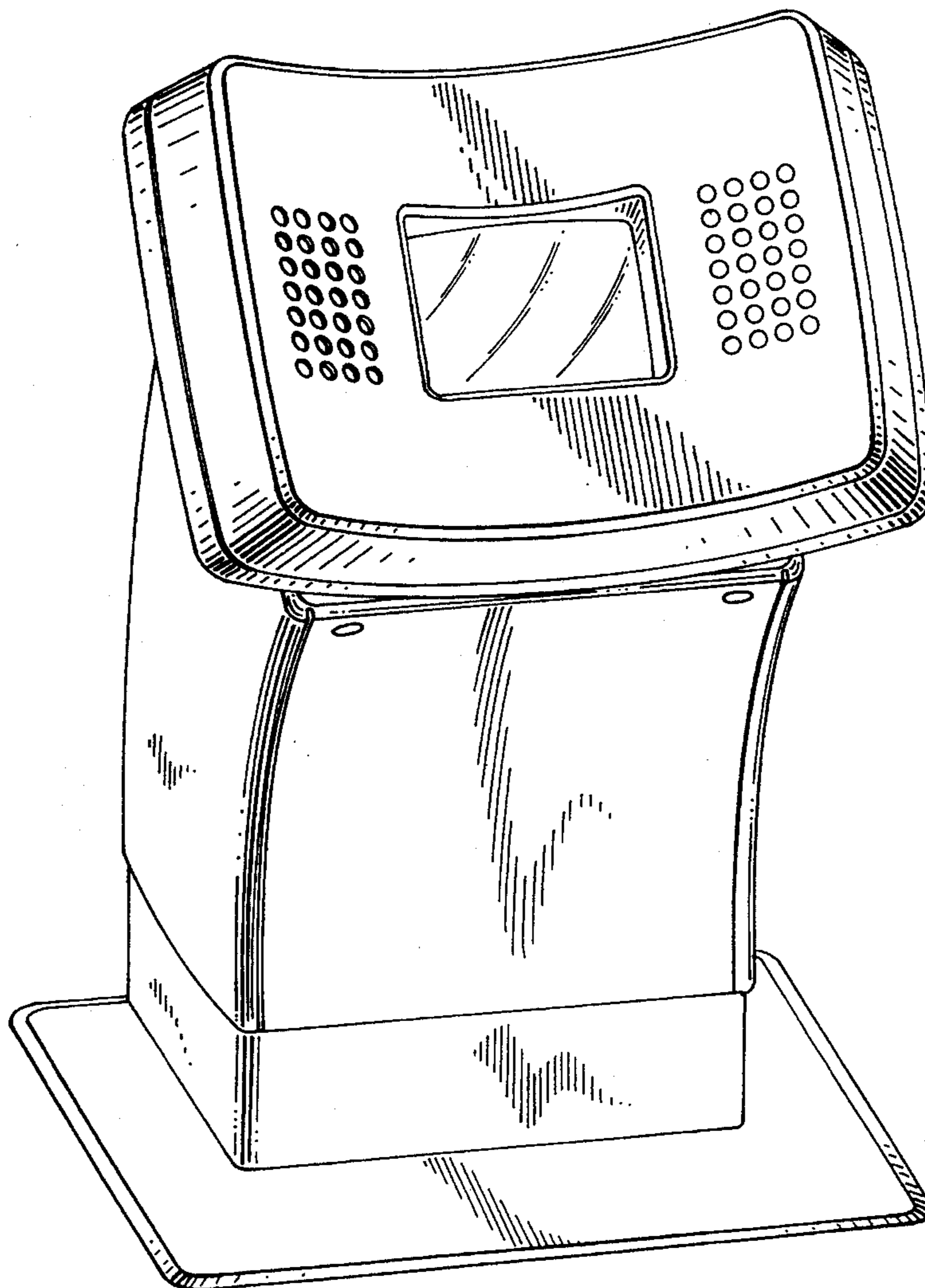
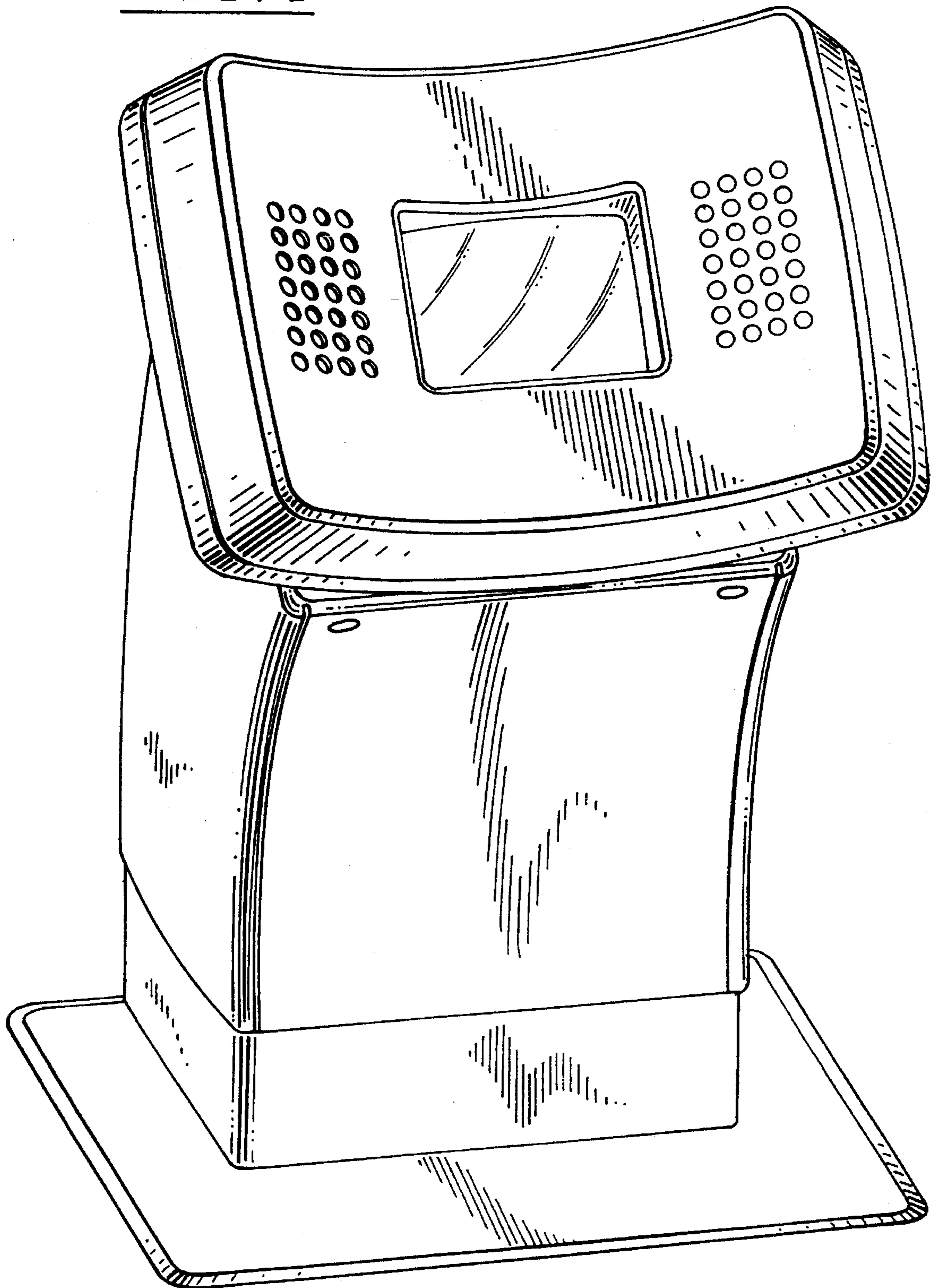


FIG. 1



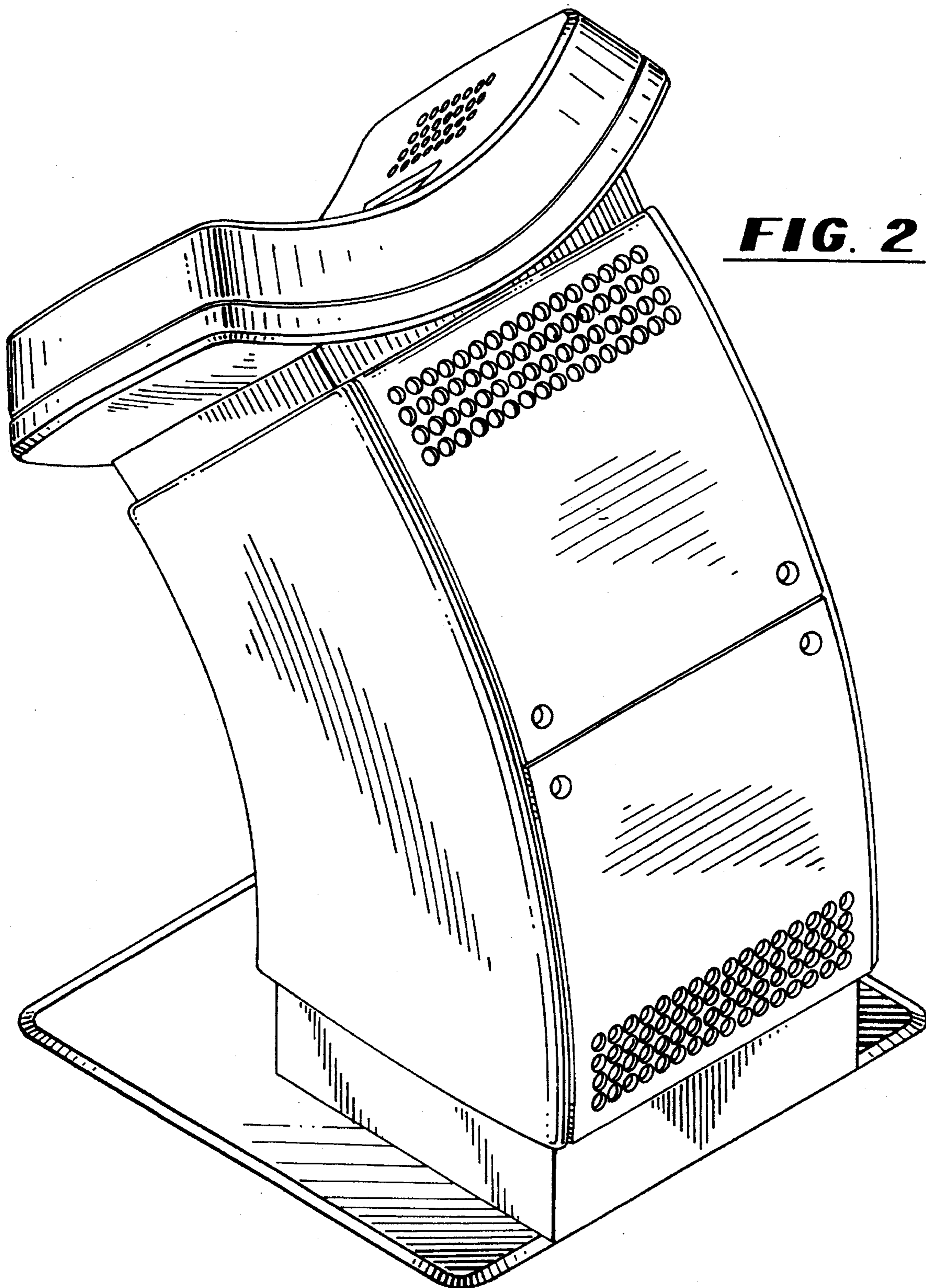


FIG. 2

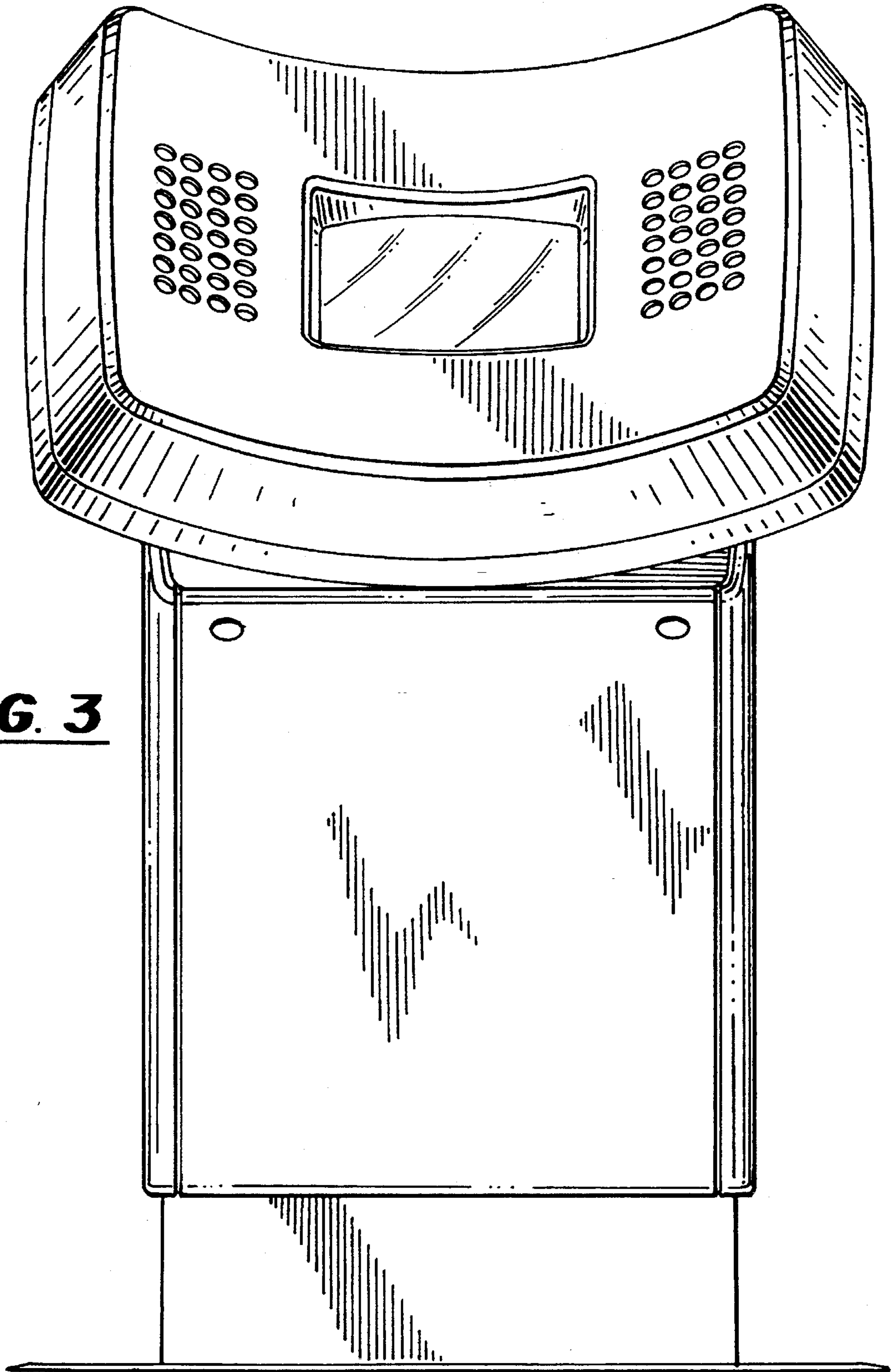


FIG. 3

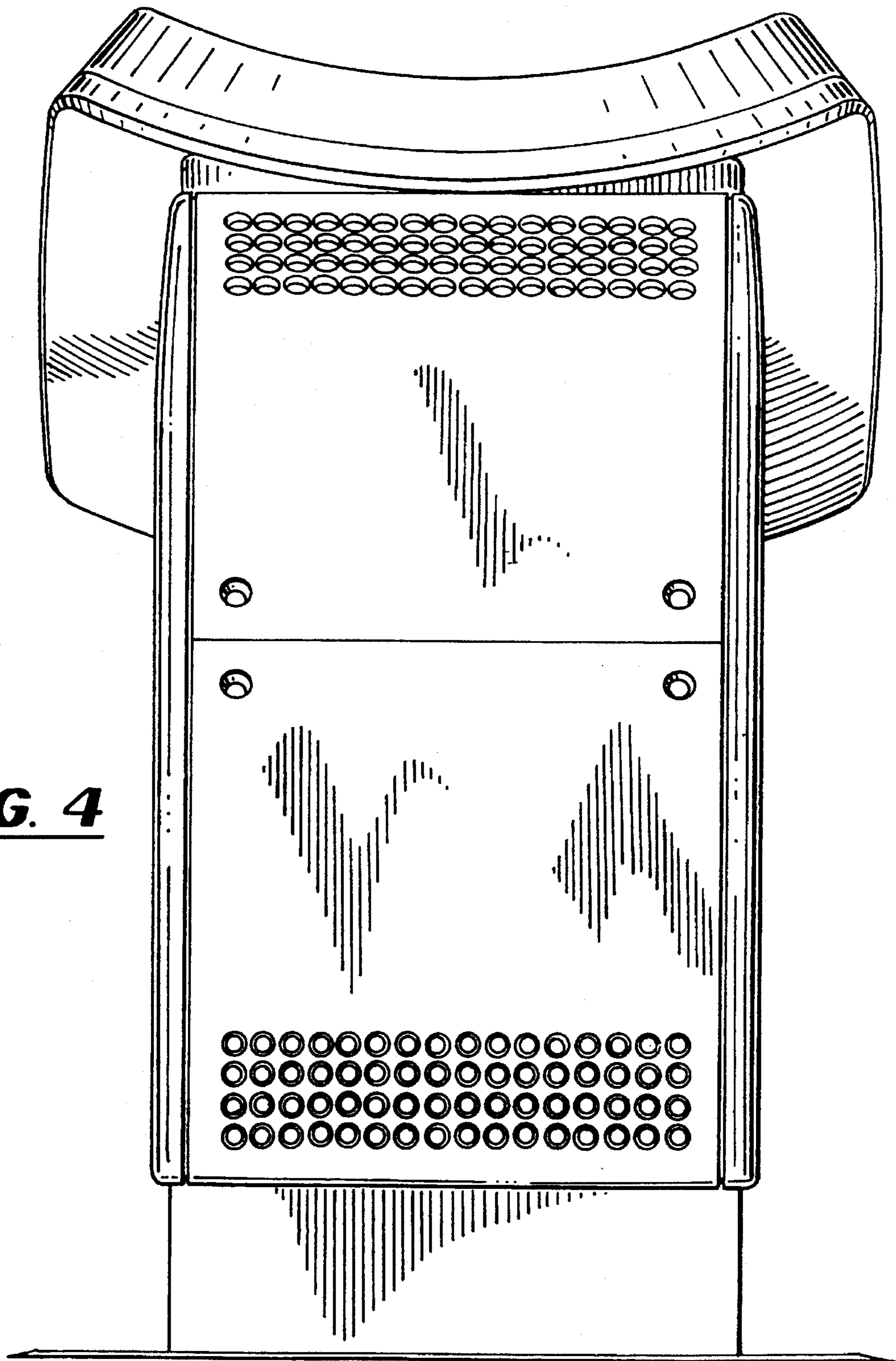


FIG. 4

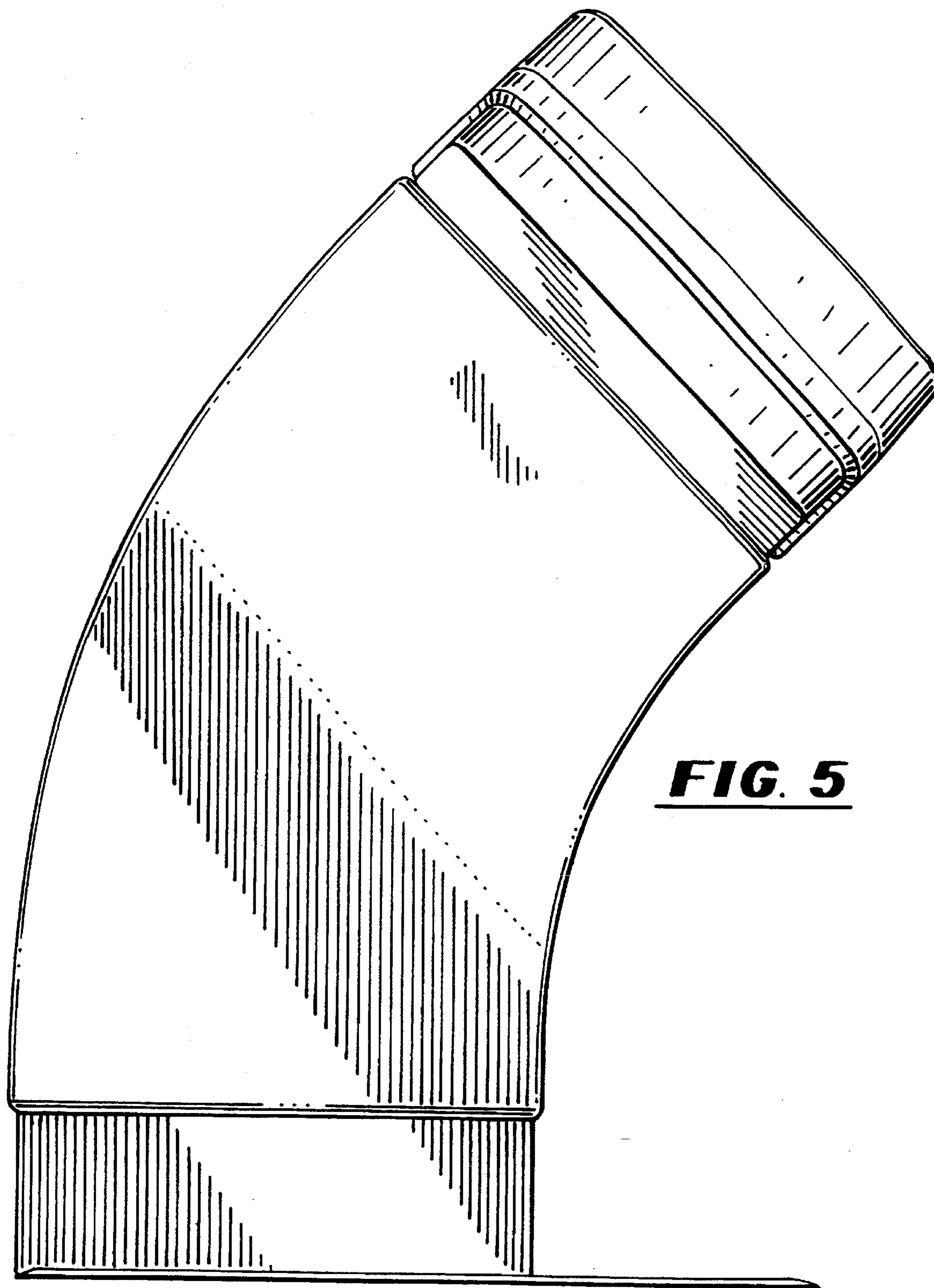


FIG. 5

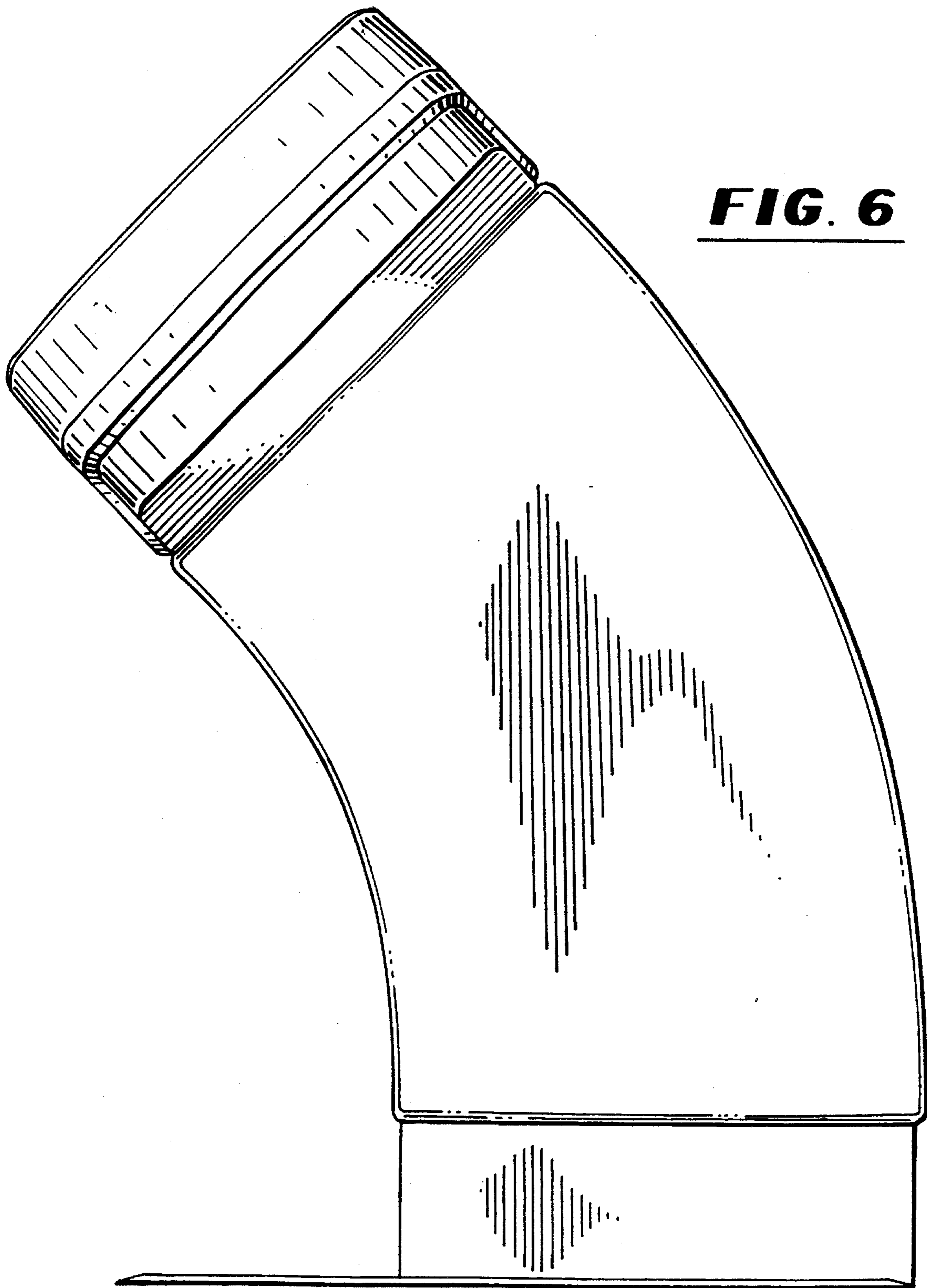


FIG. 6

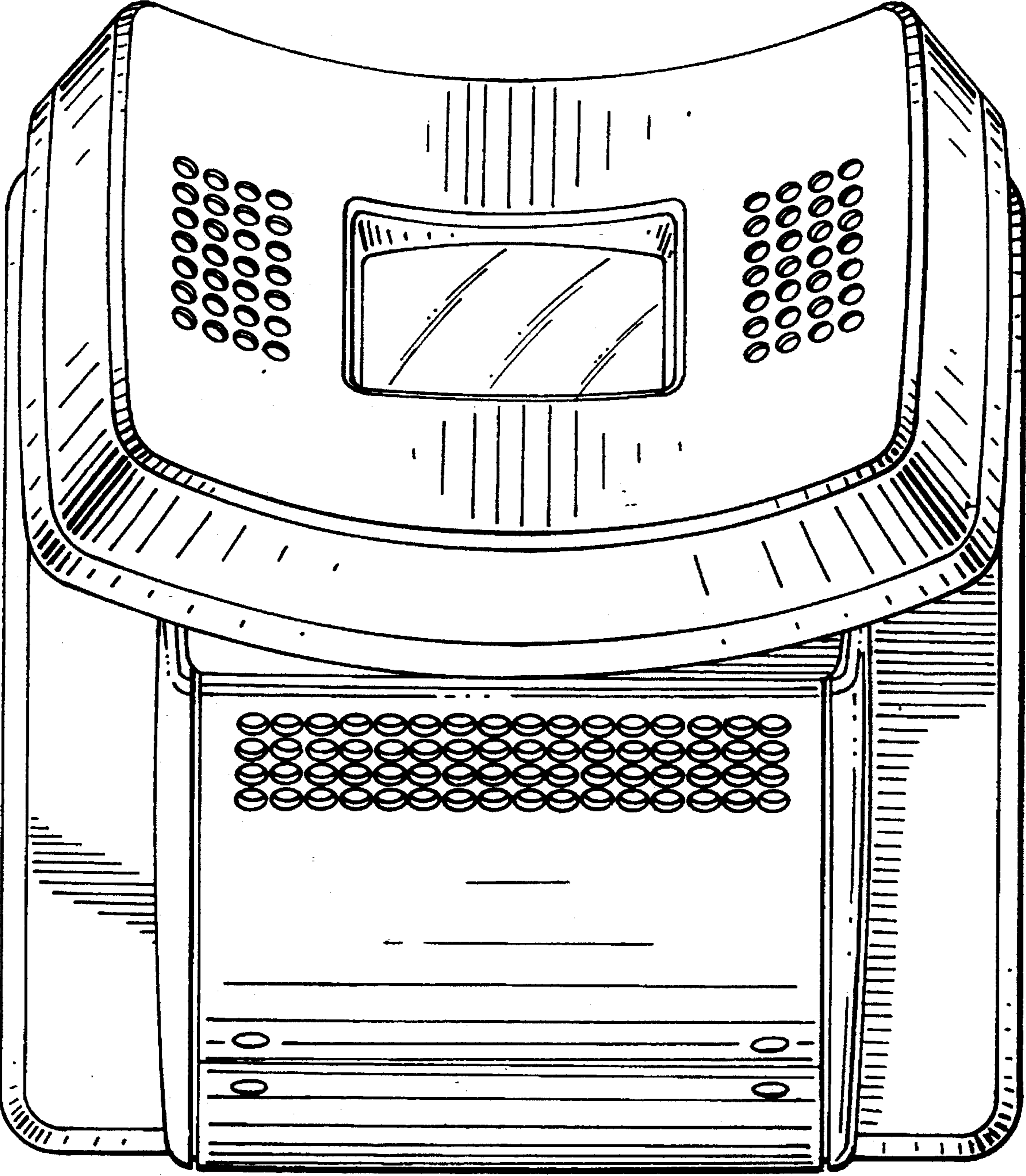


FIG. 7

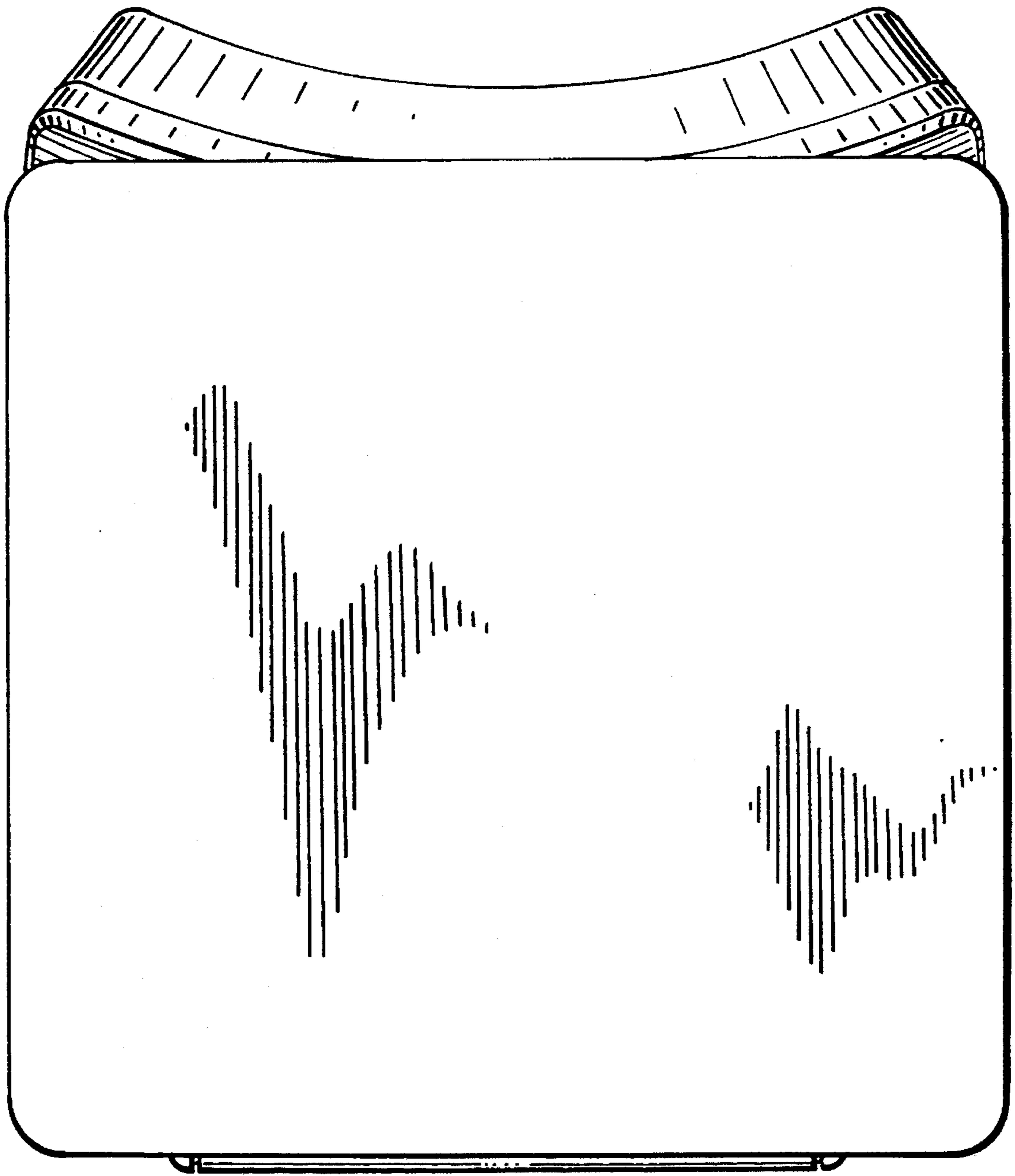


FIG. 8