



US00D364154S

# United States Patent [19]

[11] Patent Number: **Des. 364,154**

**Knighton et al.**

[45] Date of Patent: **\*\*\* Nov. 14, 1995**

[54] **KEYBOARD WRIST SUPPORT**

4,482,064	11/1984	Berke et al.	.....	248/118 X
4,545,554	10/1985	Latino et al.	.....	248/118.1
4,776,284	10/1988	McIntosh	.....	248/918 X
4,913,390	4/1990	Berke	.....	248/918 X

[76] Inventors: **Warren D. Knighton**, 4017 E. Shangri-La., Phoenix, Ariz. 85028; **William W. Knighton**, P.O. Box 1762, Wausau, Wis. 54402

*Primary Examiner*—Freda S. Nunn  
*Attorney, Agent, or Firm*—Harry M. Weiss; Jeffrey D. Moy

[\*] Notice: The portion of the term of this patent subsequent to Dec. 8, 2004, has been disclaimed.

[\*\*] Term: **14 Years**

[57] **CLAIM**

The ornamental design for a keyboard wrist support, as shown and described.

[21] Appl. No.: **355,363**

**DESCRIPTION**

[22] Filed: **May 23, 1989**

[52] U.S. Cl. .... **D14/114**

FIG. 1 is a perspective view of a keyboard wrist support showing our new design; and,

[58] Field of Search ..... D14/100, 114; 108/28, 29, 59; 341/22, 23; 400/715; 248/118, 118.1, 118.3, 205.1, 300, 678, 441.1, 442.2, 918, 176, 205.5

FIG. 2 is an end elevational view thereof, the opposite end elevational view being a mirror image.

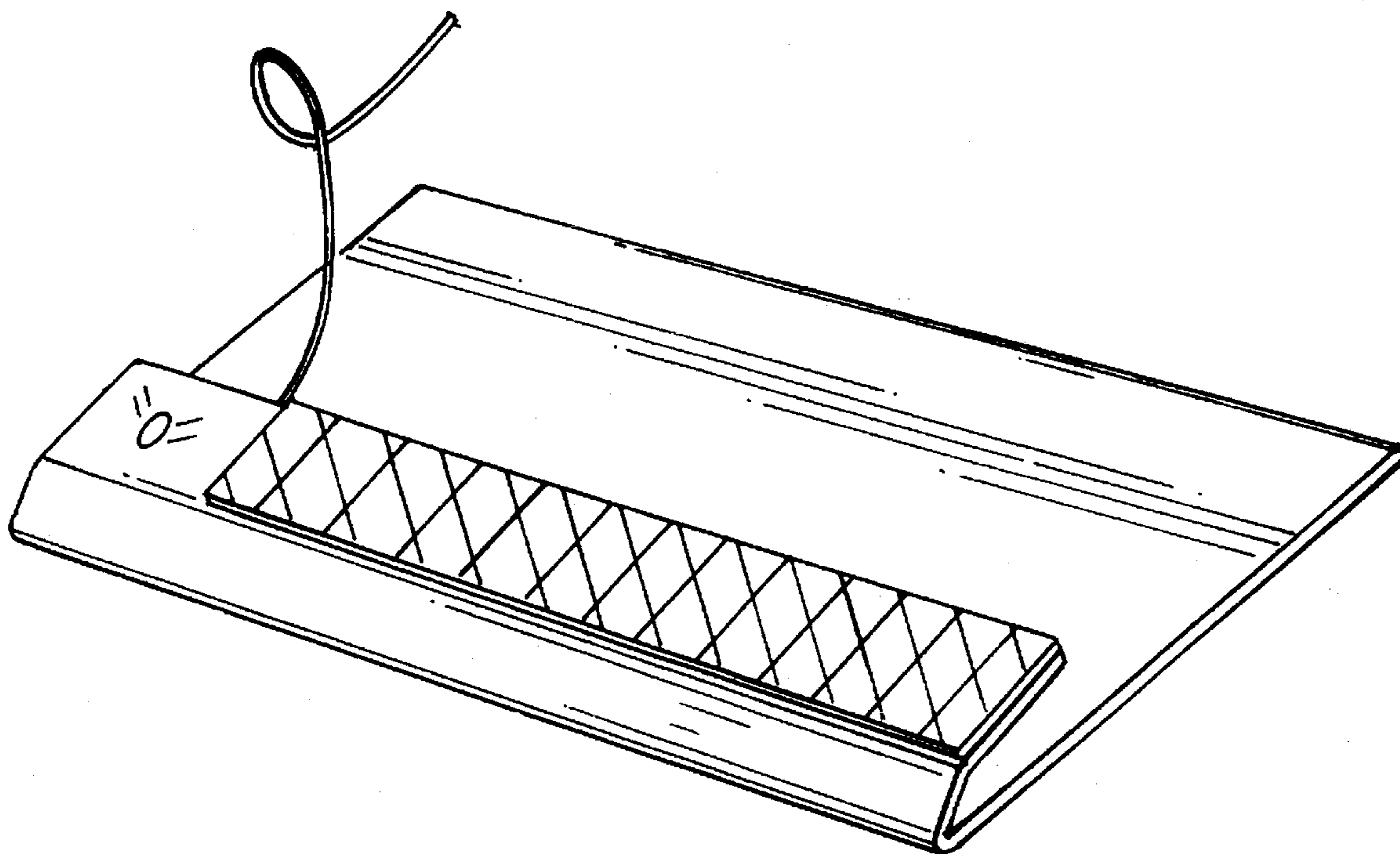
The undisclosed bottom and rear views are flat and unornamented.

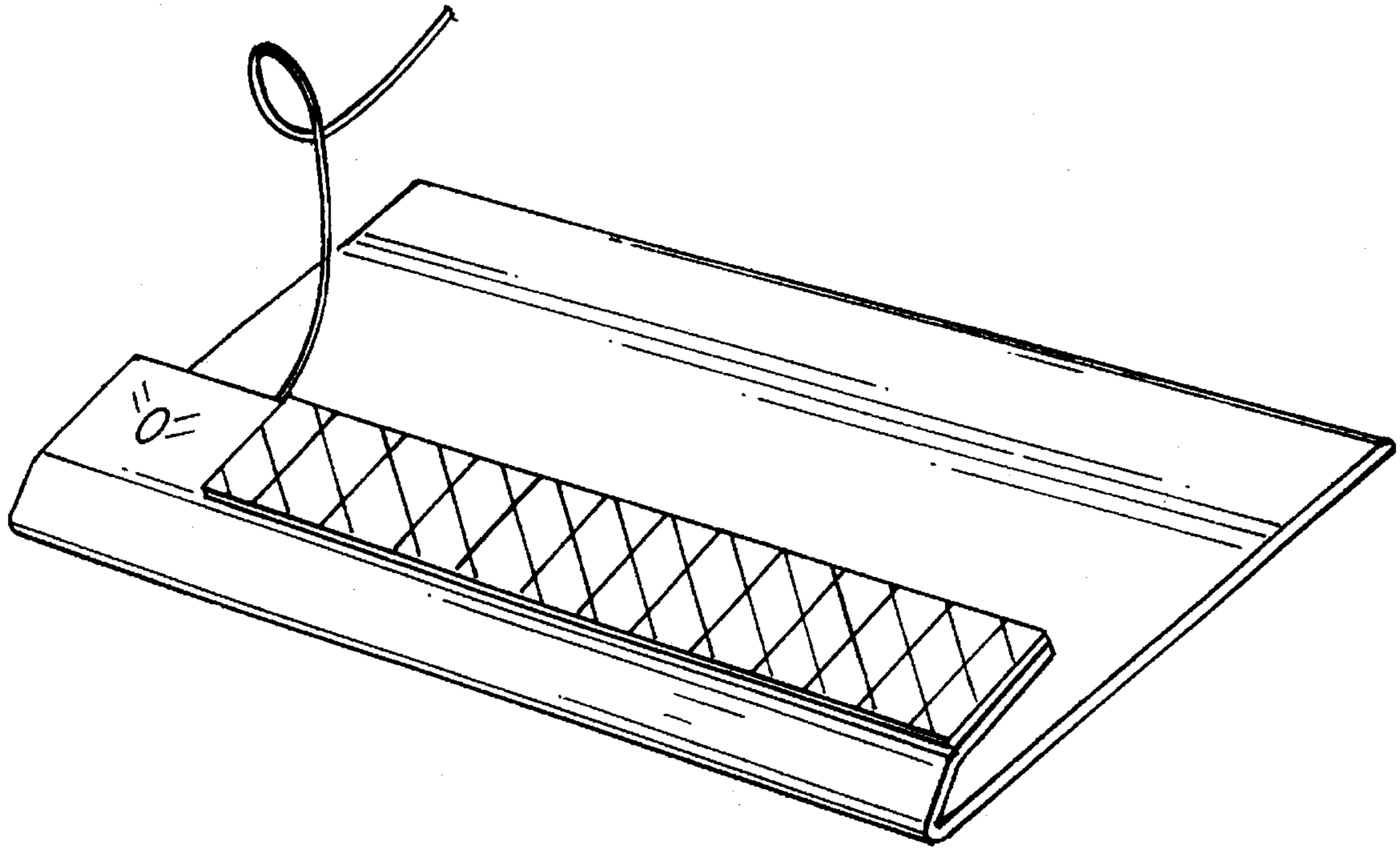
[56] **References Cited**

**U.S. PATENT DOCUMENTS**

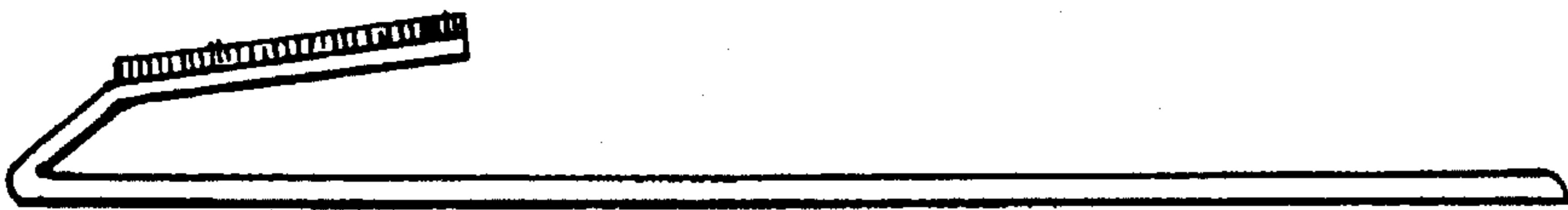
4,129,746 12/1978 Lambden ..... 248/118.1 X

**1 Claim, 1 Drawing Sheet**





*fig. 1*



*fig. 2*