



US00D364153S

# United States Patent [19]

Umaba et al.

[11] Patent Number: **Des. 364,153**

[45] Date of Patent: **\*\*Nov. 14, 1995**

[54] **DISPLAY FACE OF A LIQUID CRYSTAL DISPLAY MODULE**

[75] Inventors: **Toshiya Umaba; Makoto Komatsu,**  
both of Nara, Japan

[73] Assignee: **Sharp Kabushiki Kaisha,** Osaka, Japan

[\*\*] Term: **14 Years**

[21] Appl. No.: **32,116**

[22] Filed: **Dec. 2, 1994**

### [30] Foreign Application Priority Data

Jun. 3, 1994 [JP] Japan ..... 6-16398

[52] U.S. Cl. .... **D14/113; D16/235**

[58] Field of Search ..... D14/100, 101,  
D14/106, 113, 124-129; 345/104, 133,  
156, 168, 173, 87, 901-905; 353/31, 122,  
DIG. 3, DIG. 5; 178/18, 19; D16/235

### [56] References Cited

#### U.S. PATENT DOCUMENTS

D. 339,574 9/1993 Althans et al. .... D14/113

D. 354,483 1/1995 Yamazaki ..... D14/100 X  
3,537,792 11/1970 Furniss et al. .... 353/DIG. 5 X  
3,709,590 1/1973 Bisberg ..... 353/DIG. 5 X  
4,632,529 12/1986 Levin ..... 353/122

*Primary Examiner*—Freda Nunn  
*Attorney, Agent, or Firm*—Nixon & Vanderhye

### [57] CLAIM

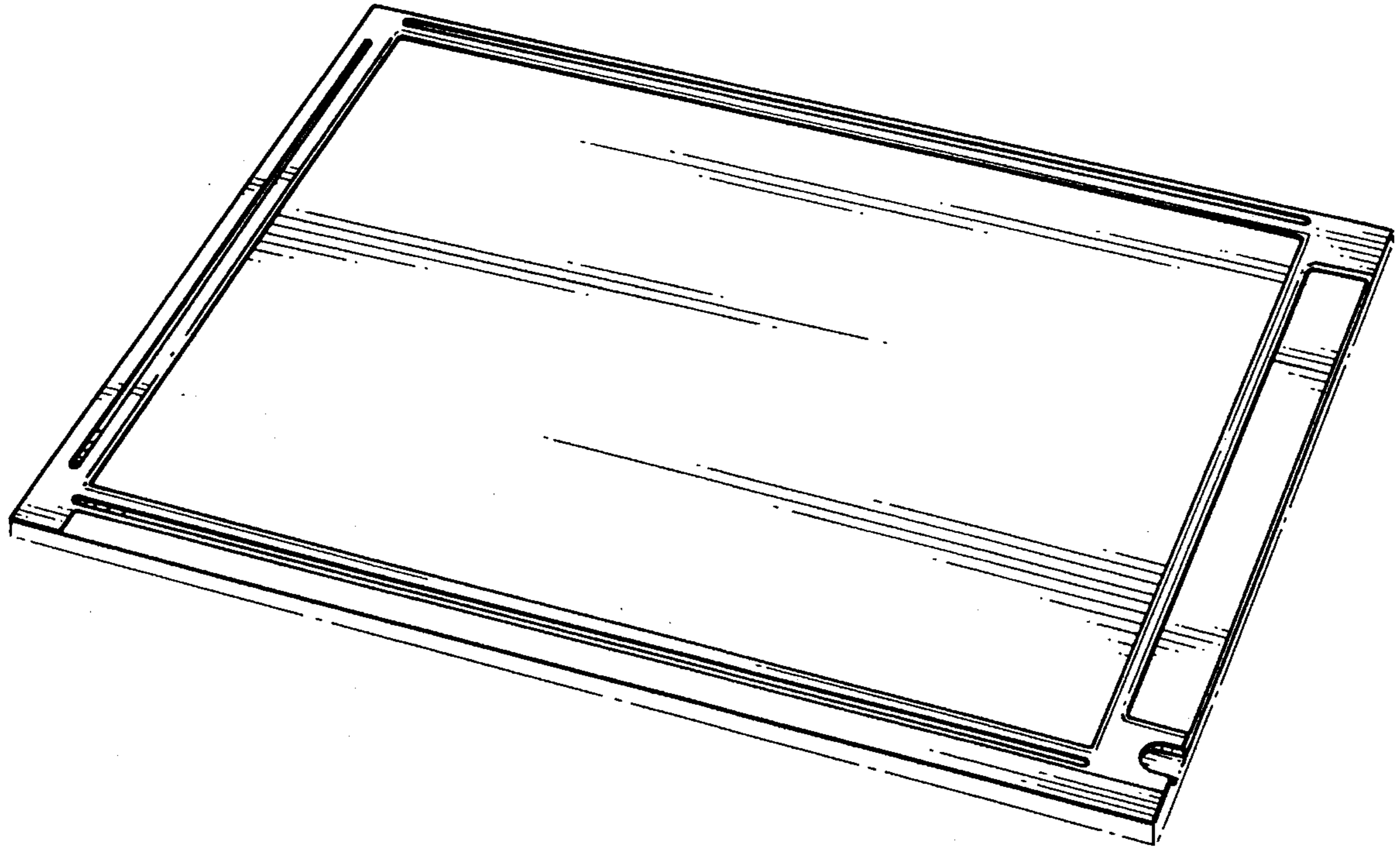
The ornamental design for a display face of a liquid crystal display module, as shown and described.

### DESCRIPTION

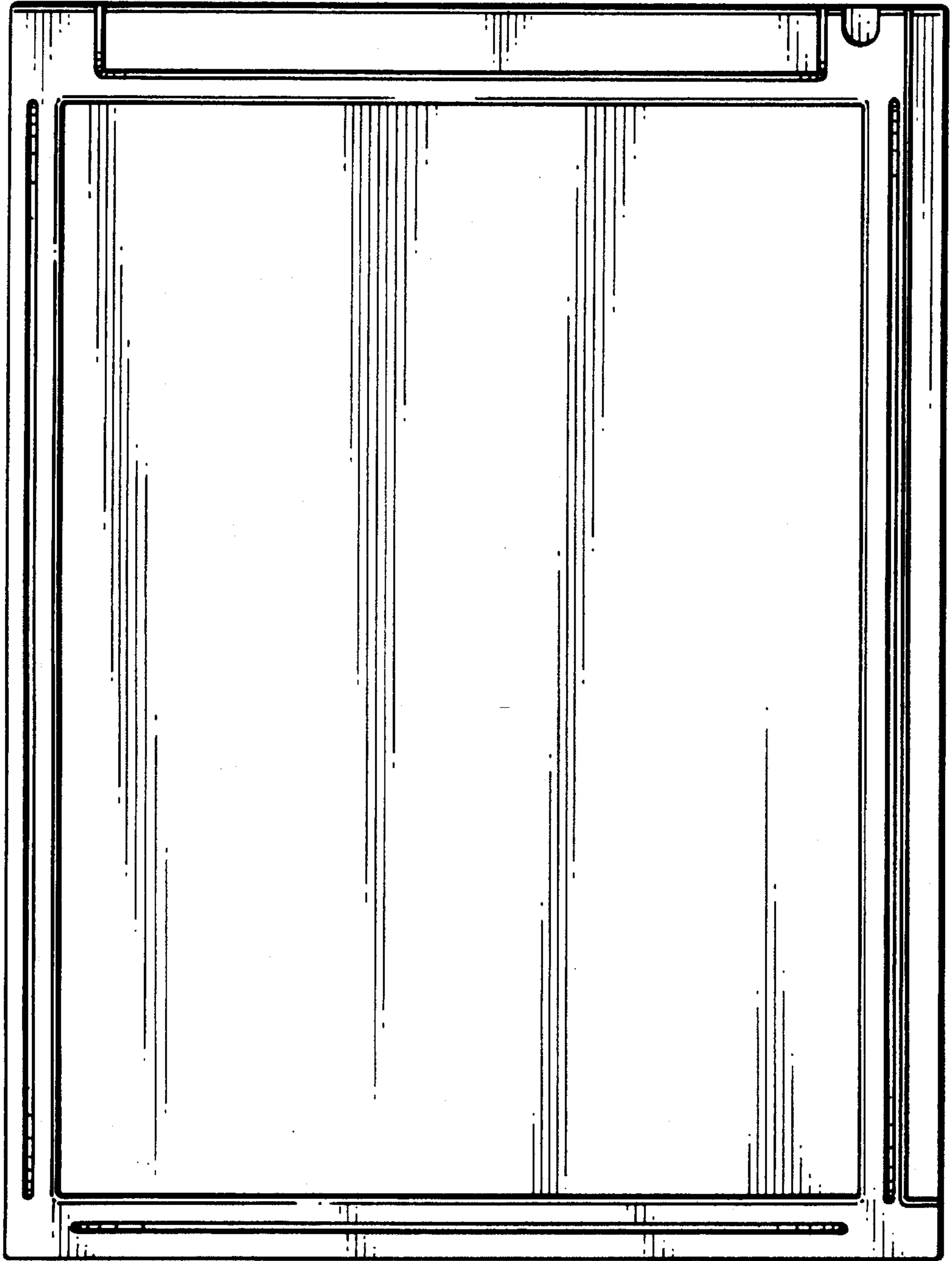
FIG. 1 is a front elevational view of a display face of a liquid crystal display module according to our design; and,

FIG. 2 is a perspective view thereof wherein the liquid crystal display module is shown in broken lines for illustrative purposes only and forms no part of the claimed design the edges and the rear are also not part of the design.

**1 Claim, 2 Drawing Sheets**



**FIG. 1**



**FIG. 2**

