



US00D364151S

United States Patent [19]

Yamazaki

[11] Patent Number: **Des. 364,151**

[45] Date of Patent: ****Nov. 14, 1995**

[54] **DOCKING STATION FOR A PORTABLE PERSONAL COMPUTER**

[75] Inventor: **Kazuhiko Yamazaki**, Hiratuka, Japan

[73] Assignee: **International Business Machines Corporation**, Armonk, N.Y.

[**] Term: **14 Years**

[21] Appl. No.: **17,362**

[22] Filed: **Jan. 11, 1994**

[30] Foreign Application Priority Data

Jul. 23, 1993 [JP] Japan 5-22747

[52] U.S. Cl. **D14/107**

[58] Field of Search D14/100, 107, D14/114; D13/184, 199; 361/683-686; 364/708.1; 439/95, 284, 357, 372

[56] References Cited

U.S. PATENT DOCUMENTS

D. 342,060 12/1993 Iino D14/107
D. 342,487 12/1993 Iino D14/107

5,126,954 6/1992 Morita D14/107 X
5,182,698 1/1993 Kobayashi et al. D14/107 X

Primary Examiner—Freda S. Nunn
Attorney, Agent, or Firm—Martin J. McKinley; Andrew J. Dillon

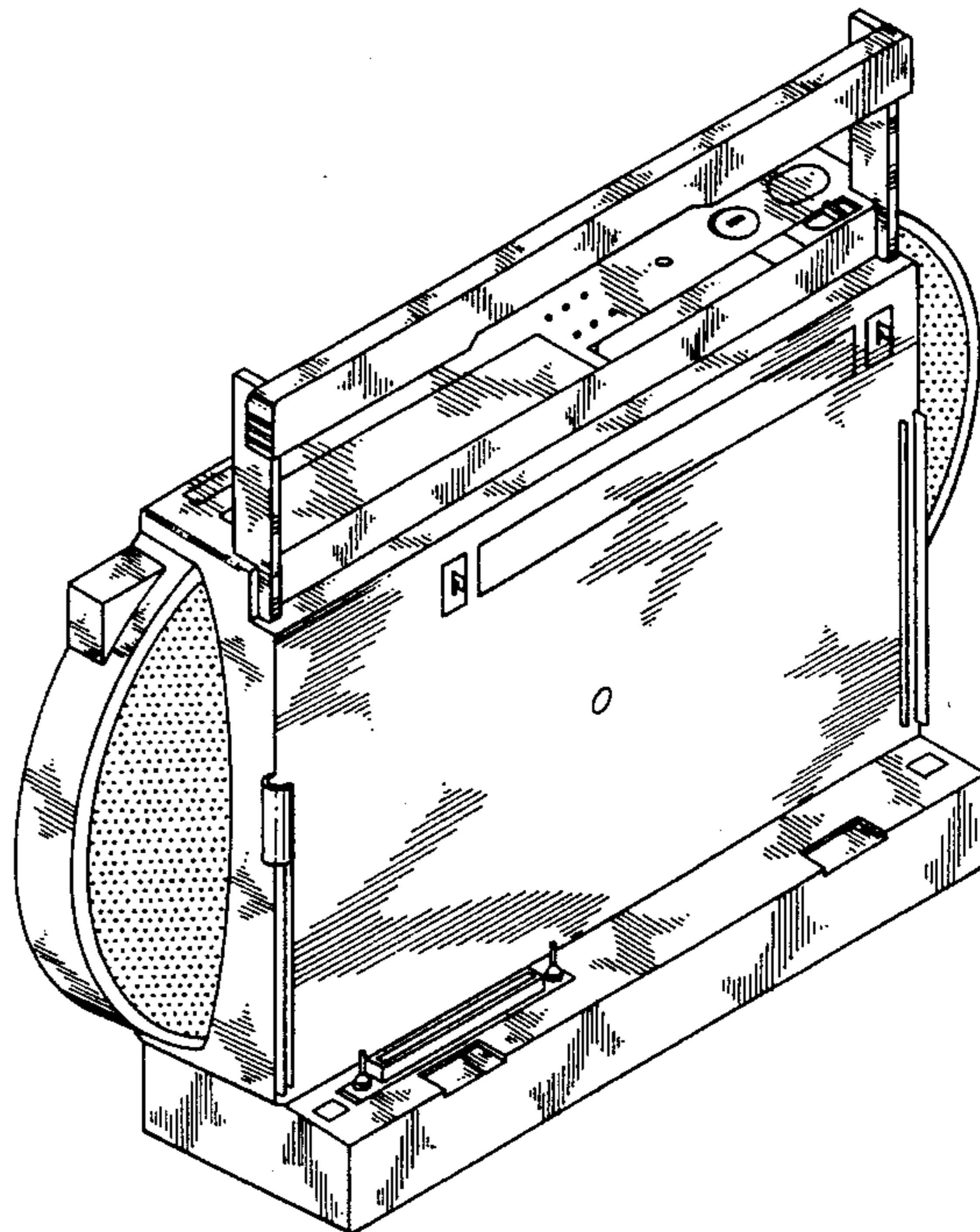
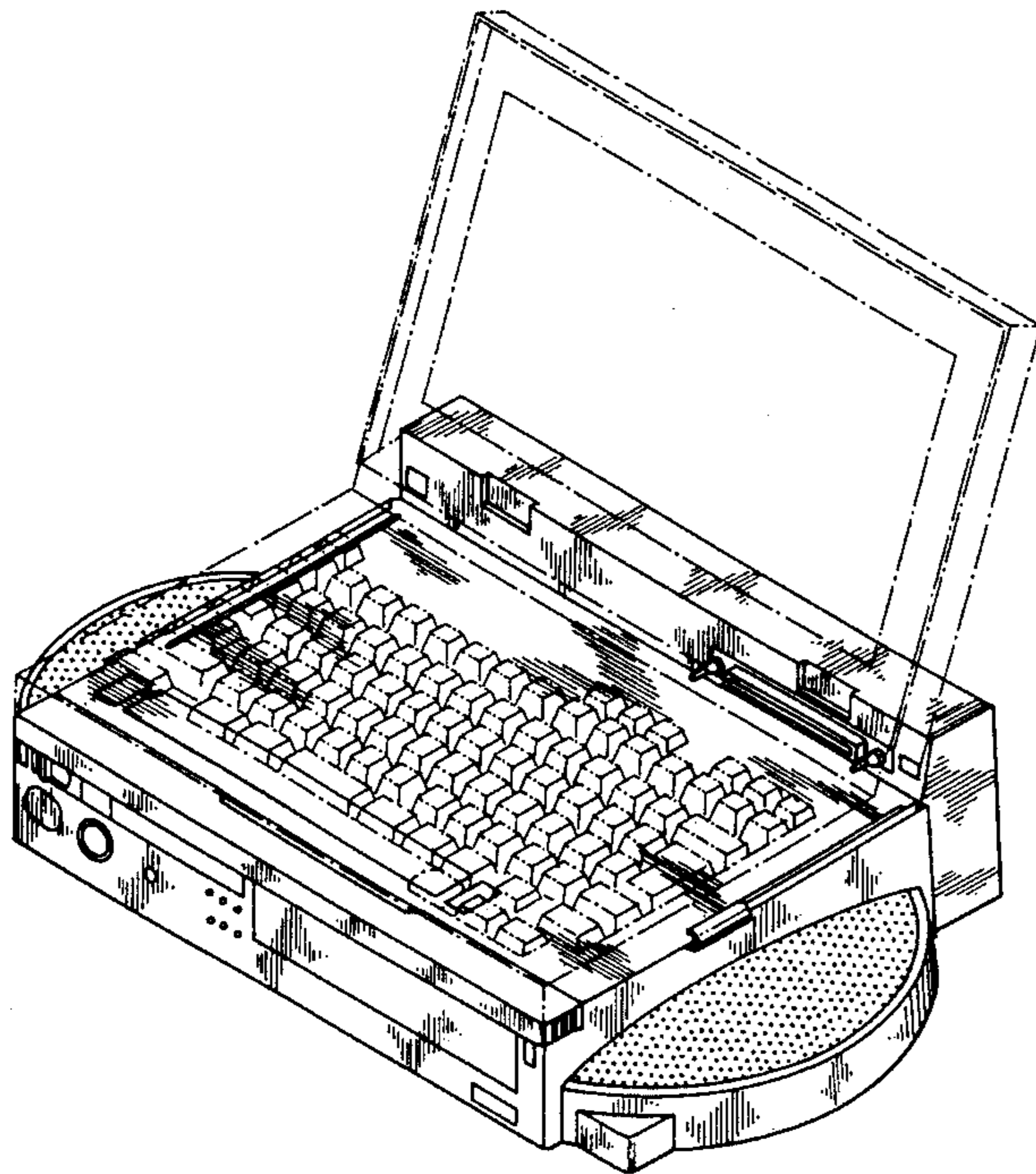
[57] CLAIM

The ornamental design for a docking station for a portable personal computer, as shown and described.

DESCRIPTION

FIG. 1 is a front elevational view of the docking station; FIG. 2 is a rear elevational view thereof; FIG. 3 is a top plan view thereof; FIG. 4 is a bottom plan view thereof; FIG. 5 is a left side elevational view thereof; FIG. 6 is a right side elevational view thereof; FIG. 7 is a perspective view thereof with a portable computer connected and shown in broken lines for illustrative purposes only and forming no part of the claimed design; and, FIG. 8 is a perspective view thereof with a carrying handle extended.

1 Claim, 4 Drawing Sheets



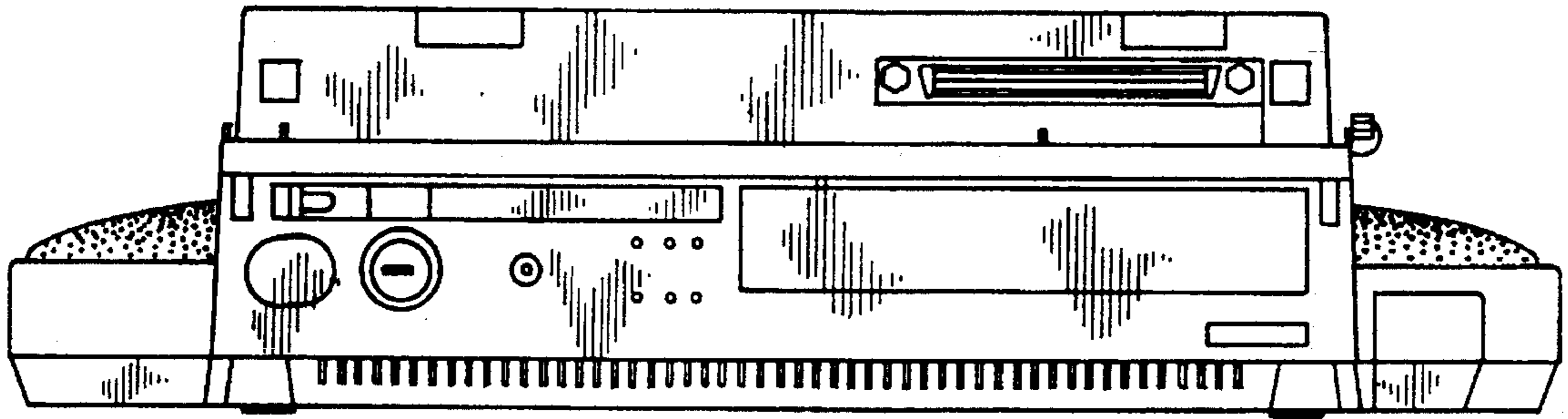


Fig. 1

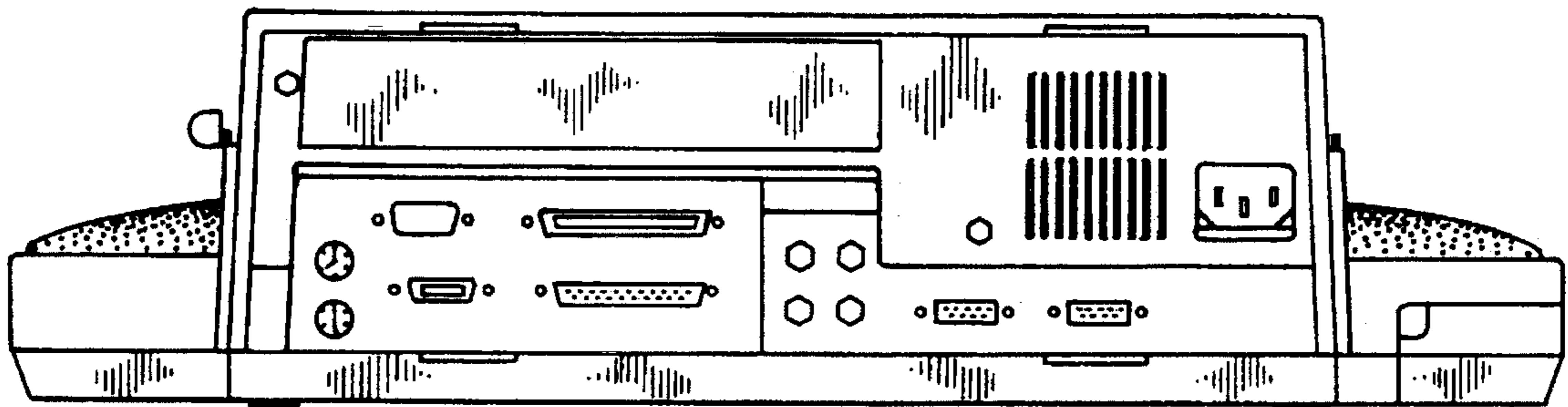


Fig. 2

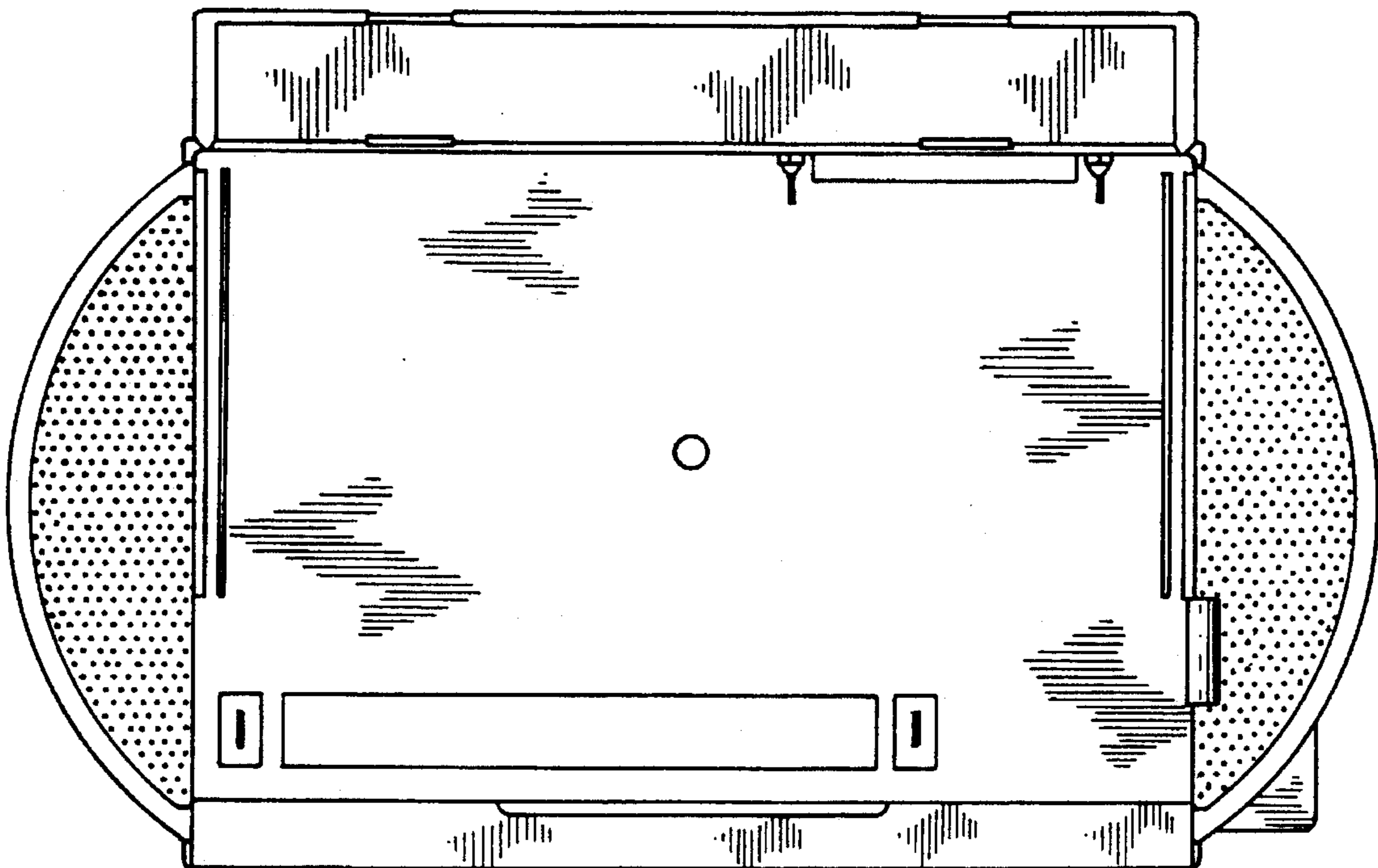


Fig. 3

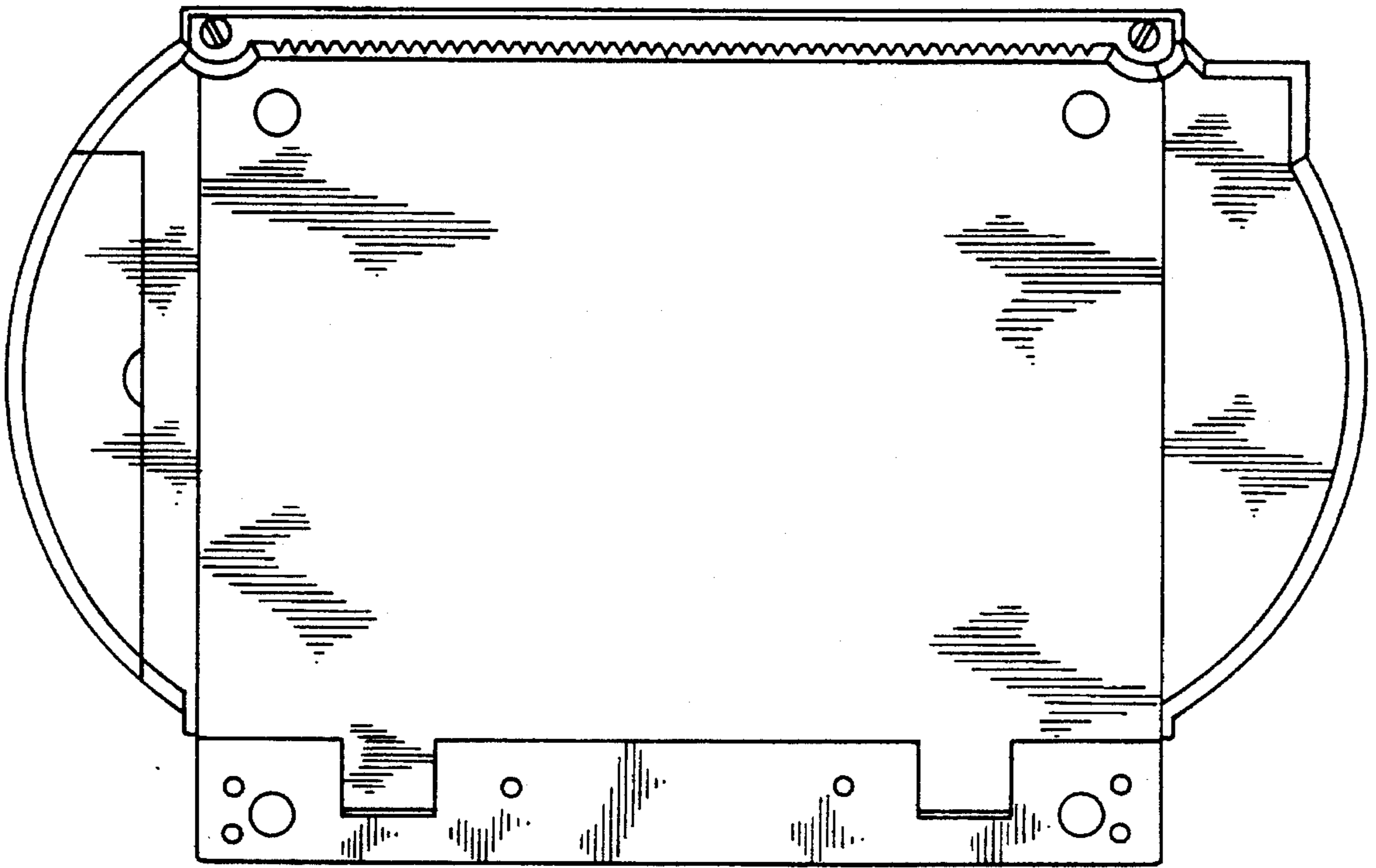


Fig. 4

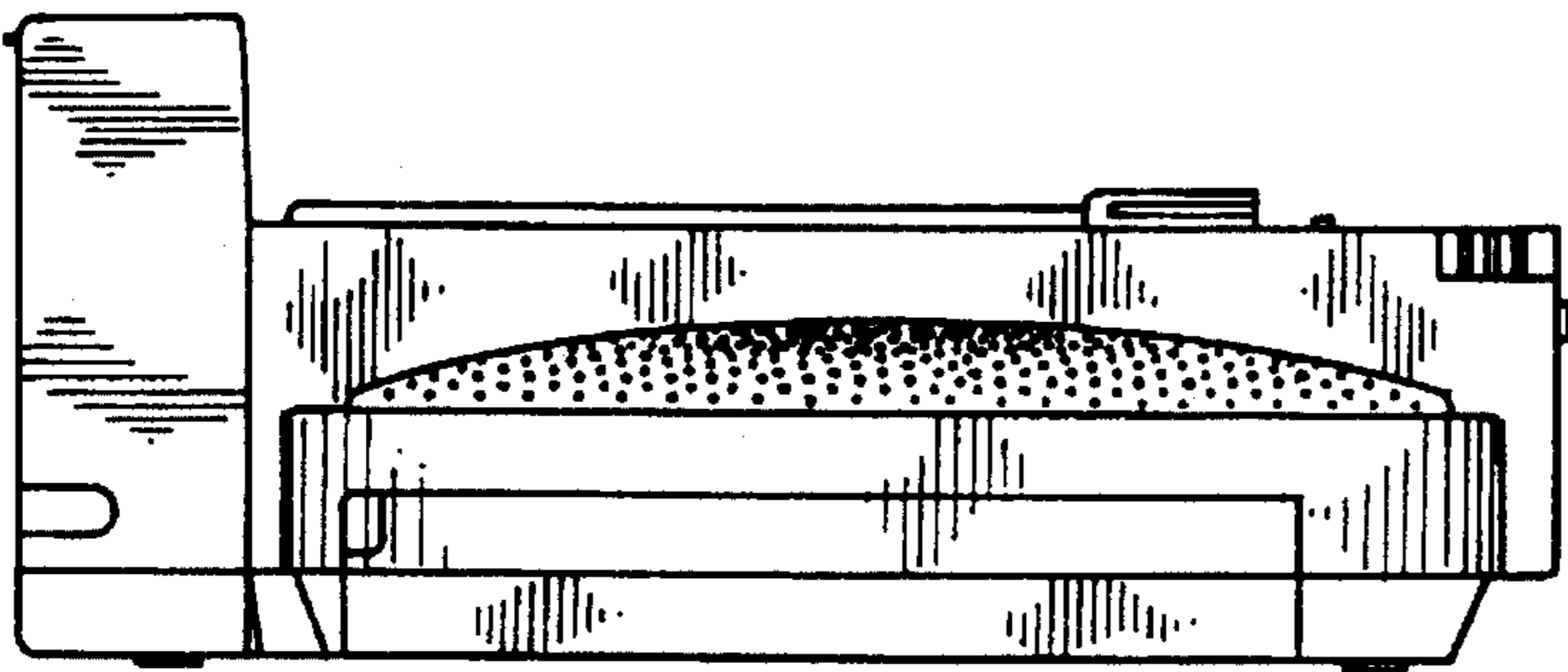
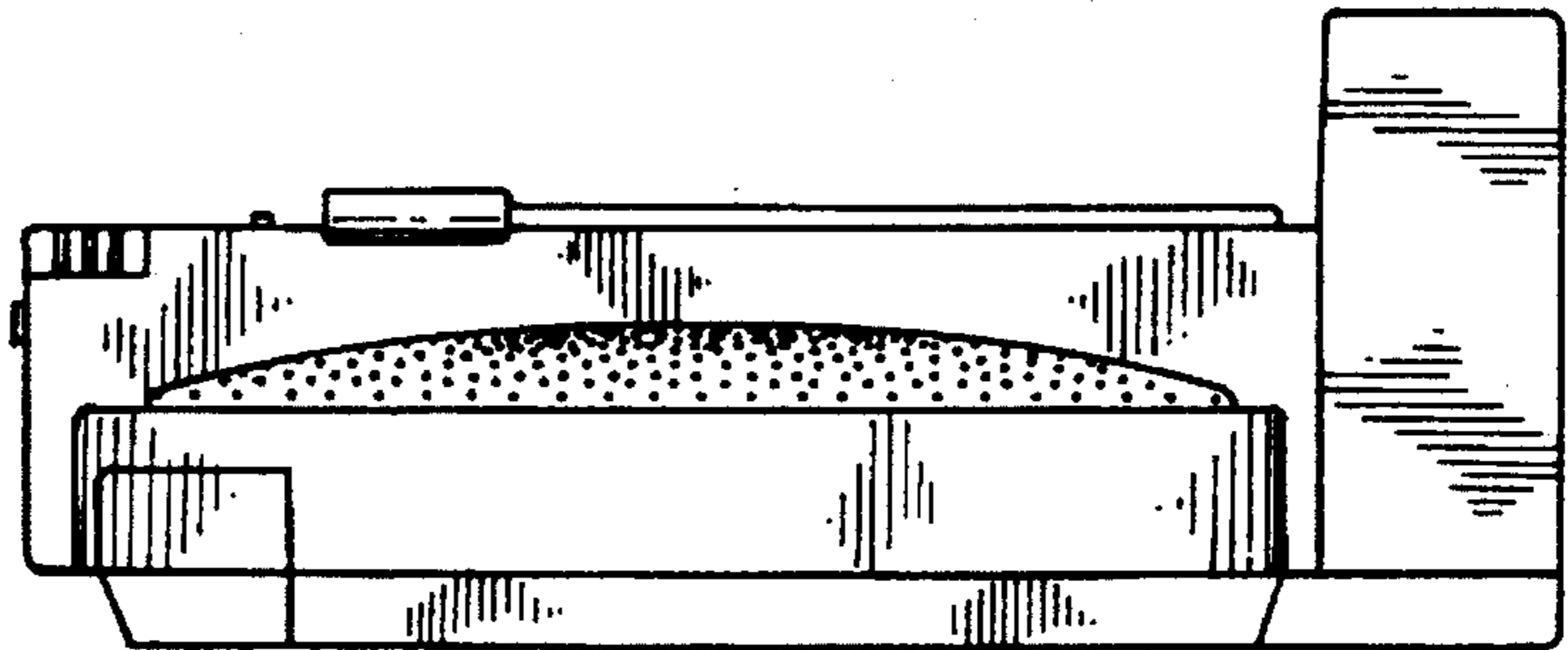


Fig. 5

Fig. 6



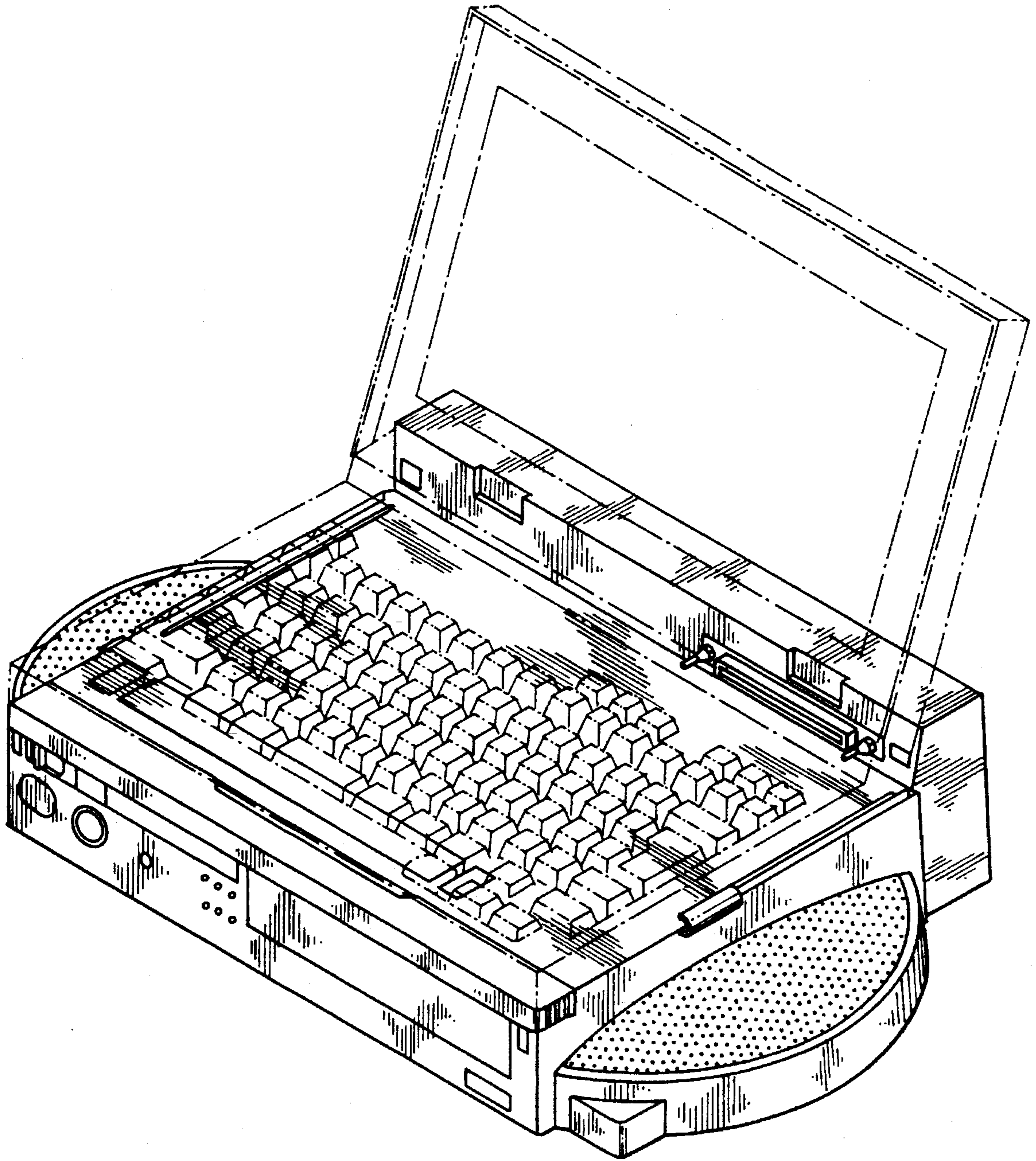


Fig. 7

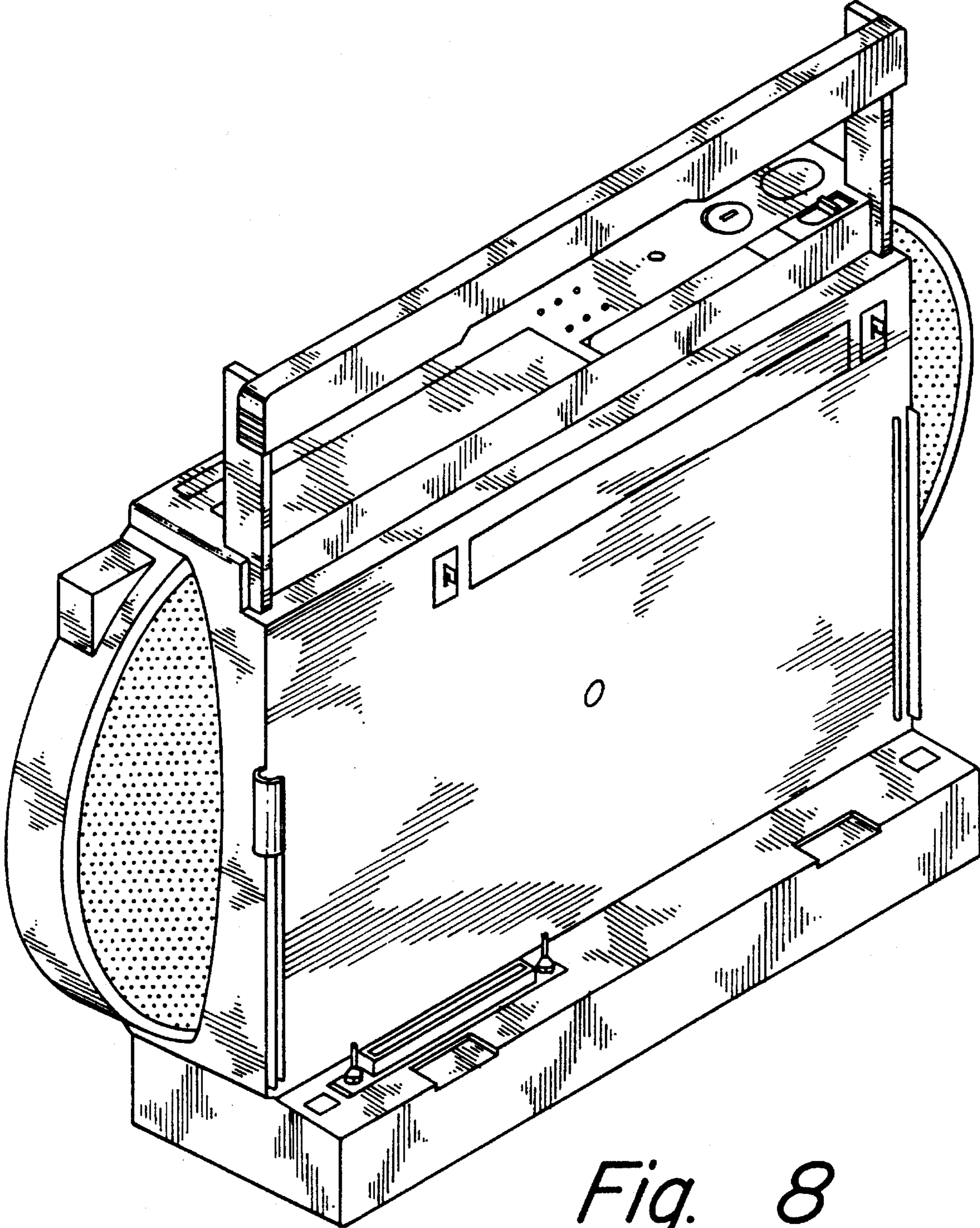


Fig. 8