



US00D364150S

**United States Patent** [19]  
**Mieki**

[11] **Patent Number: Des. 364,150**  
[45] **Date of Patent: \*\*Nov. 14, 1995**

[54] **PERSONAL COMPUTER**

[75] Inventor: **Nariaki Mieki**, Yokohama, Japan

[73] Assignee: **International Business Machines Corporation**, Armonk, N.Y.

[\*\*] Term: **14 Years**

[21] Appl. No.: **21,170**

[22] Filed: **Apr. 12, 1994**

[30] **Foreign Application Priority Data**

Oct. 14, 1993 [JP] Japan ..... 5-31215

[52] **U.S. Cl.** ..... **D14/106**

[58] **Field of Search** ..... D14/100, 101,  
D14/106, 113, 115, 124-127; D18/1, 2,  
7, 11, 12; 235/145 A, 145 R; 341/22, 23;  
345/104, 156, 168, 173, 901-905; 361/679-686;  
364/708.1, 709.04, 709.12; 400/486, 489

[56] **References Cited**

**U.S. PATENT DOCUMENTS**

D. 310,828	9/1990	Grundstrom et al. ....	D14/106
D. 317,442	6/1991	Gintz et al. ....	D14/106
D. 339,112	9/1993	Foy et al. ....	D14/106
5,208,736	5/1993	Crooks et al. ....	D14/106 X

*Primary Examiner*—Freda S. Nunn

*Attorney, Agent, or Firm*—Martin J. McKinley; Craig J. Yudelt; Andrew J. Dillon

[57] **CLAIM**

The ornamental design for a personal computer, as shown and described.

**DESCRIPTION**

FIG. 1 is a perspective view of a personal computer showing

my new design with the cover opened;

FIG. 2 is a front elevational view of a personal computer showing my new design with the cover opened;

FIG. 3 is a rear elevational view of a personal computer showing my new design with the cover opened;

FIG. 4 is a top plan view of a personal computer showing my new design with the cover opened;

FIG. 5 is a bottom plan view of a personal computer showing my new design with the cover opened;

FIG. 6 is a left side elevational view of a personal computer showing my new design with the cover opened;

FIG. 7 is a right side elevational view of a personal computer showing my new design with the cover opened;

FIG. 8 is a front elevational view of a personal computer showing my new design with the cover closed;

FIG. 9 is a rear elevational view of a personal computer showing my new design with the cover closed;

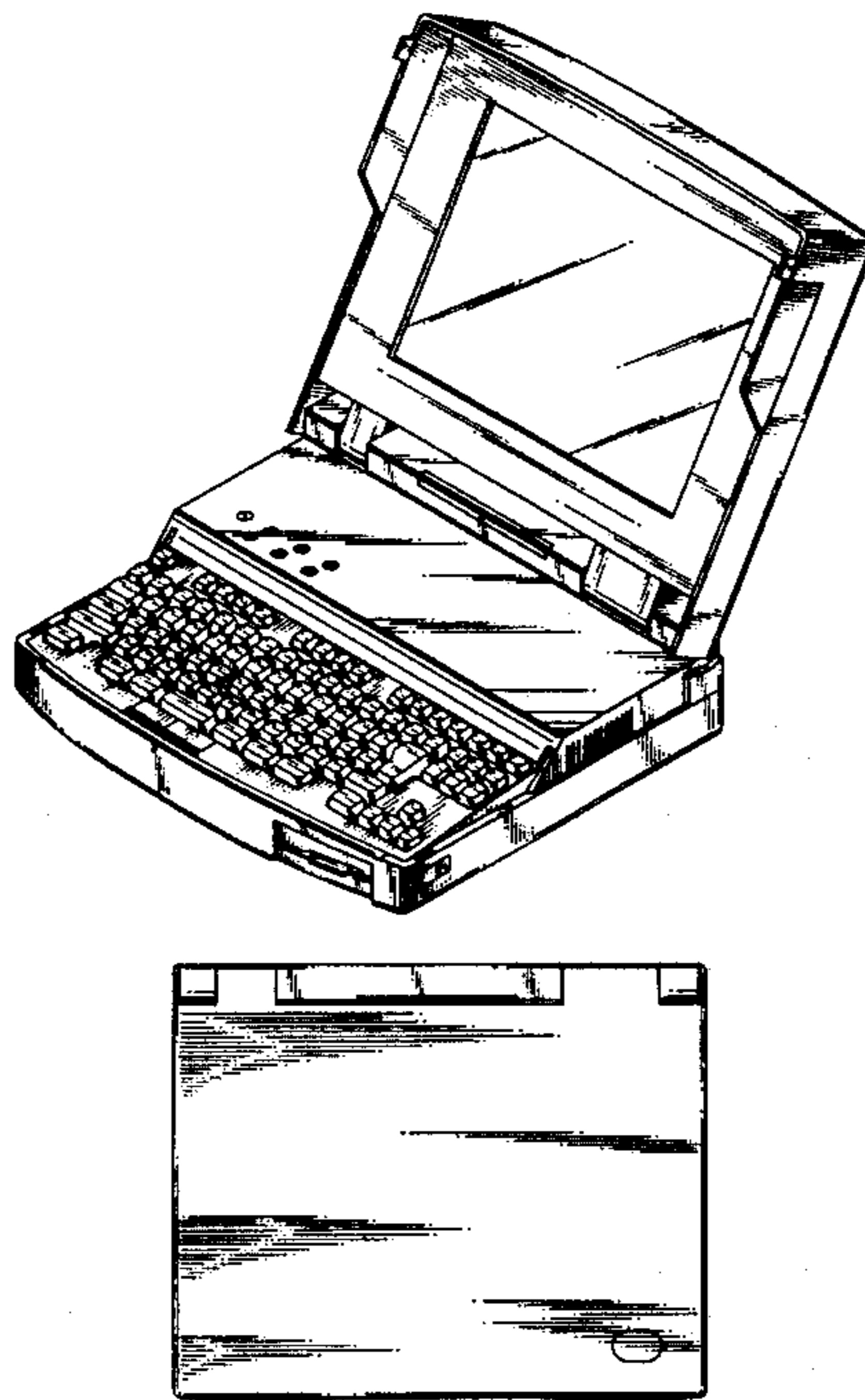
FIG. 10 is a top plan view of a personal computer showing my new design with the cover closed;

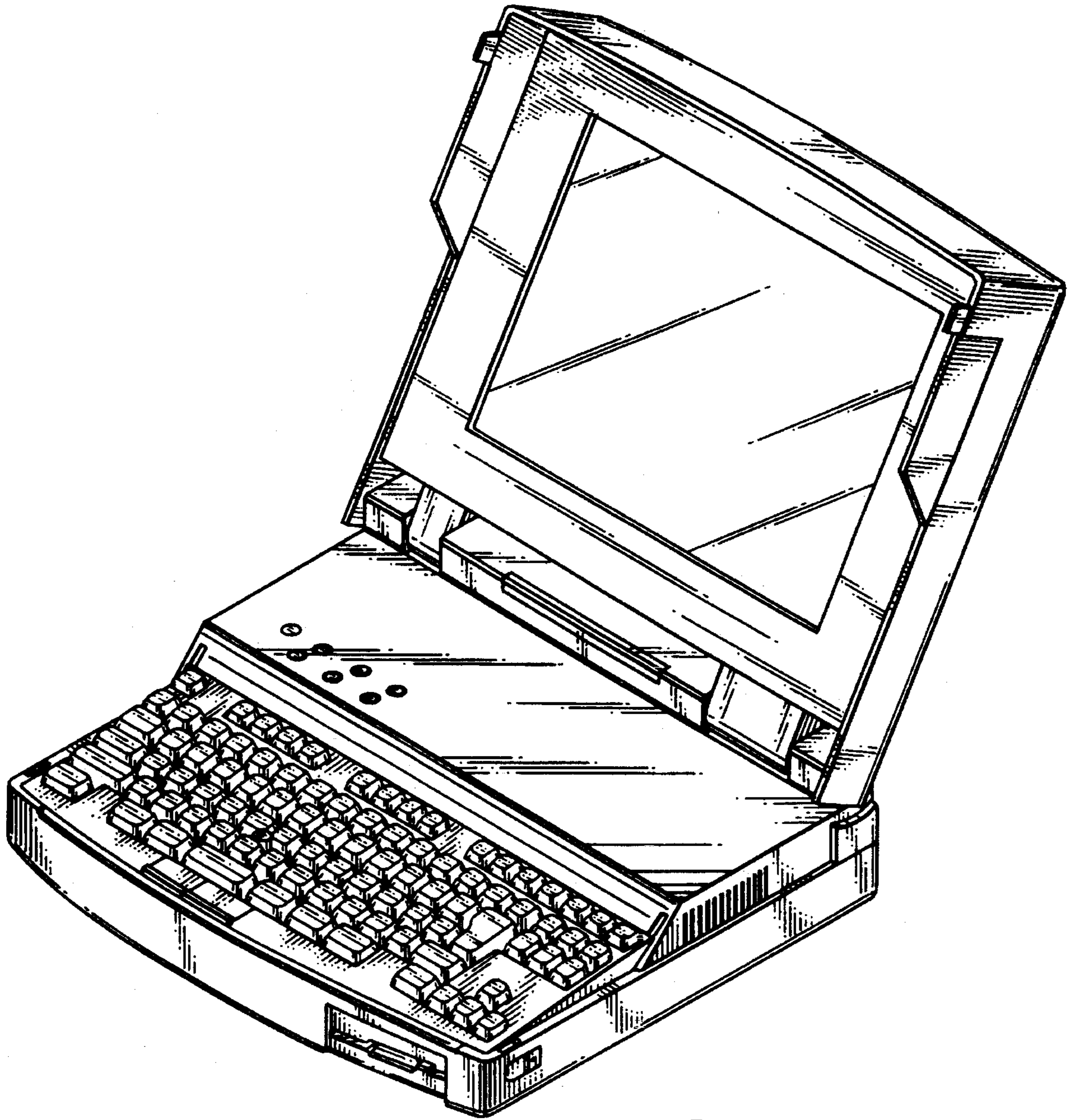
FIG. 11 is a bottom plan view of a personal computer showing my new design with the cover closed;

FIG. 12 is a left side elevational view of a personal computer showing my new design with the cover closed; and,

FIG. 13 is a right side elevational view of a personal computer showing my new design with the cover closed.

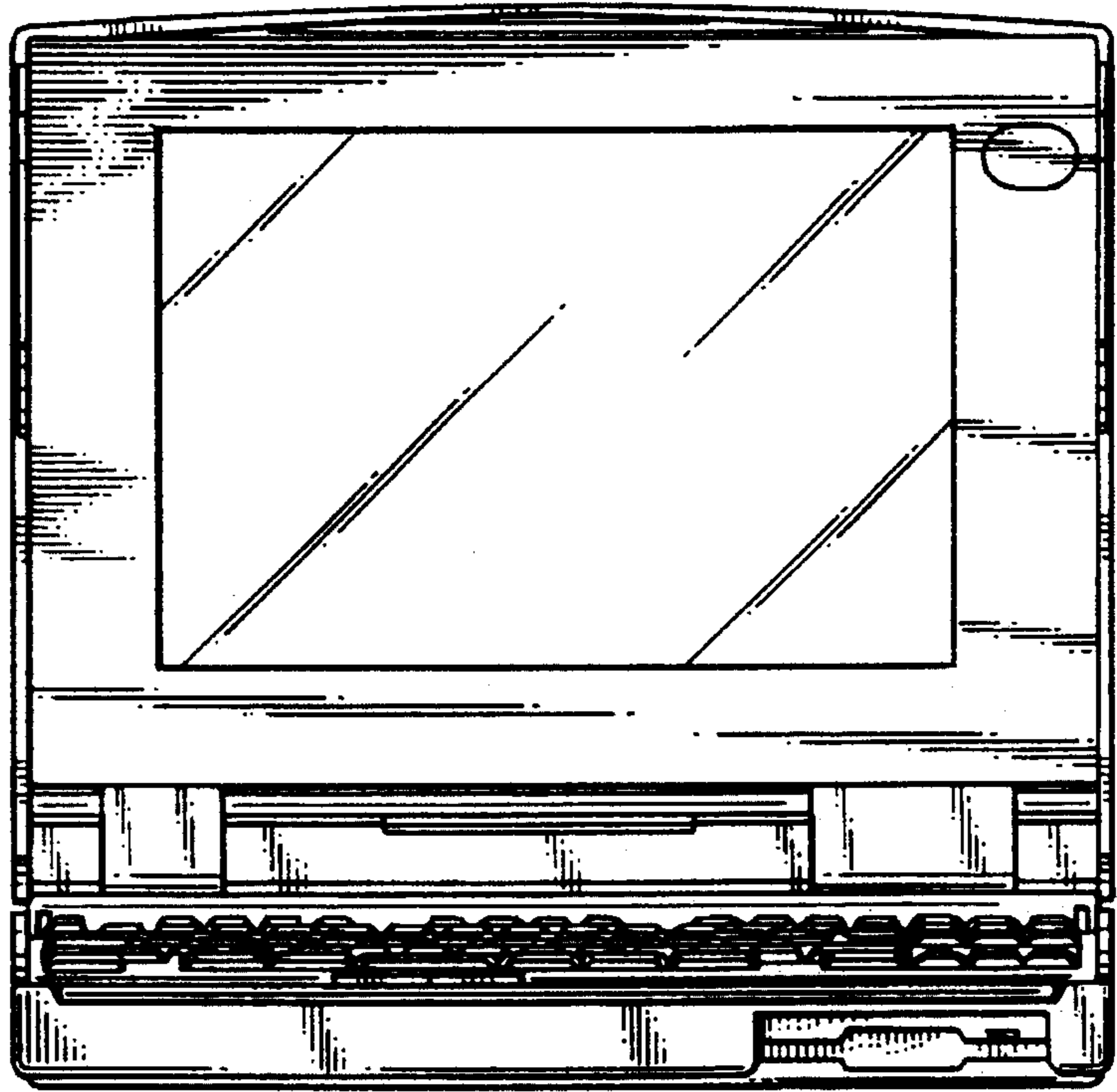
**1 Claim, 5 Drawing Sheets**



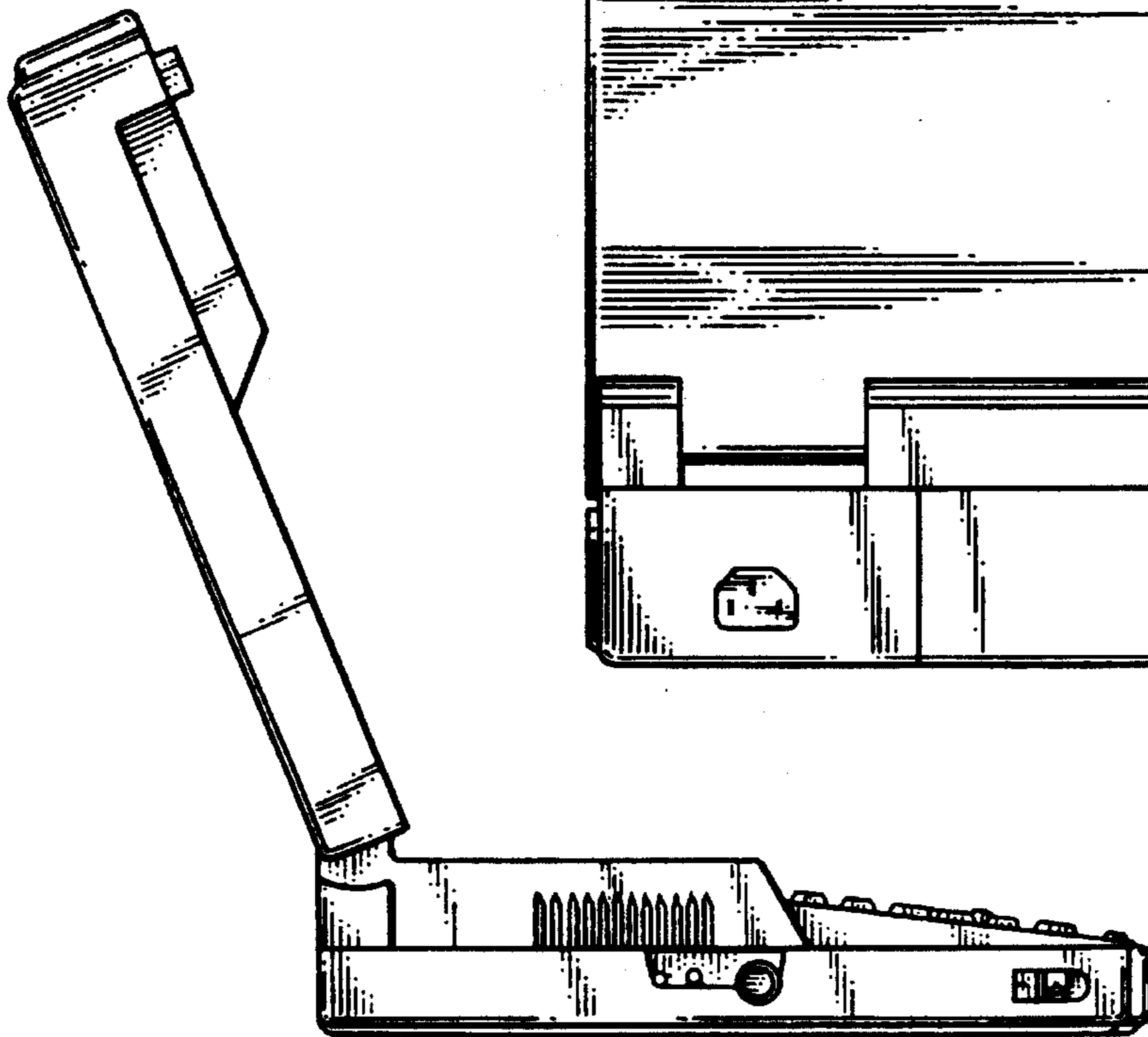
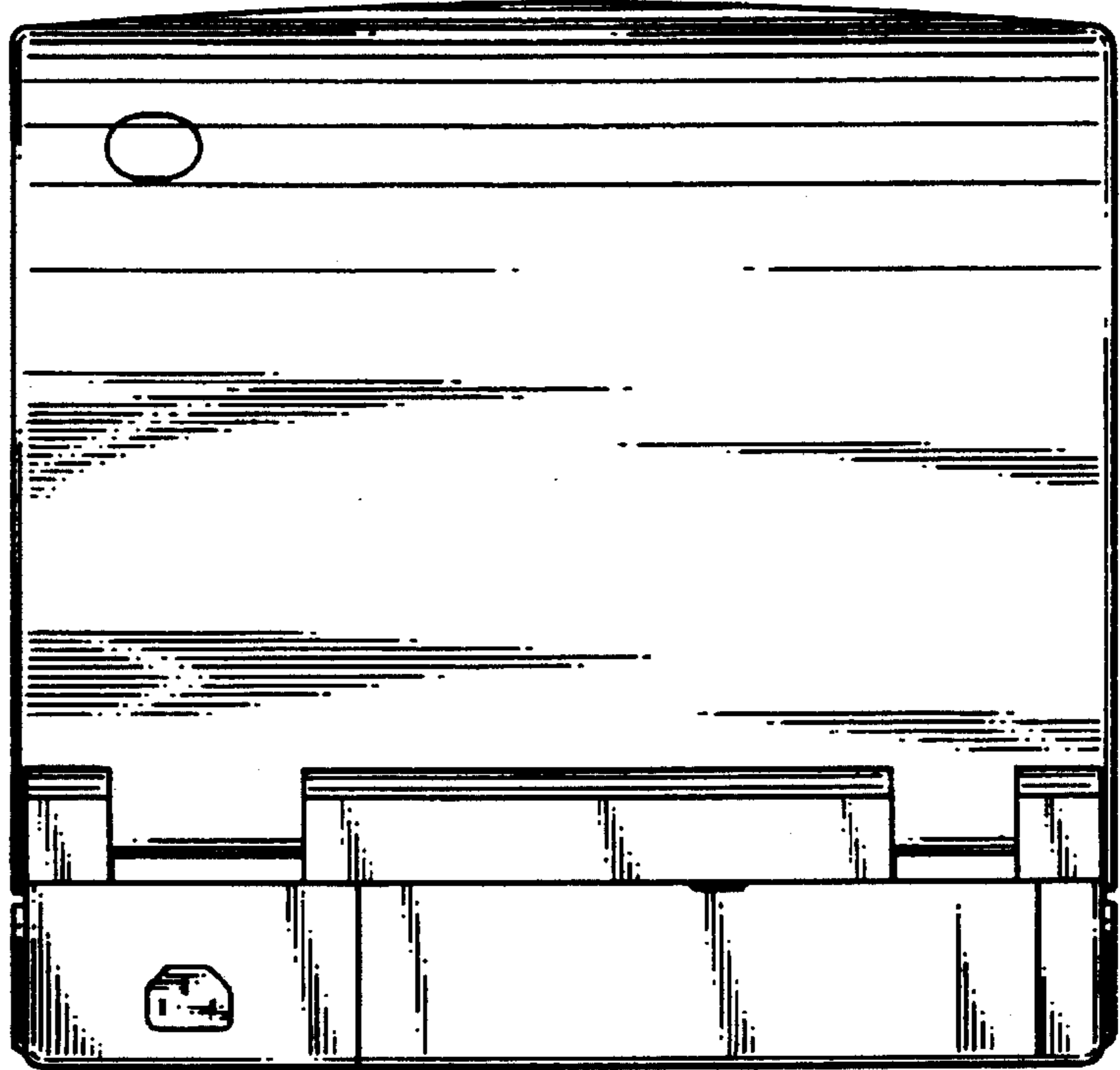


*Fig. 1*

*Fig. 2*

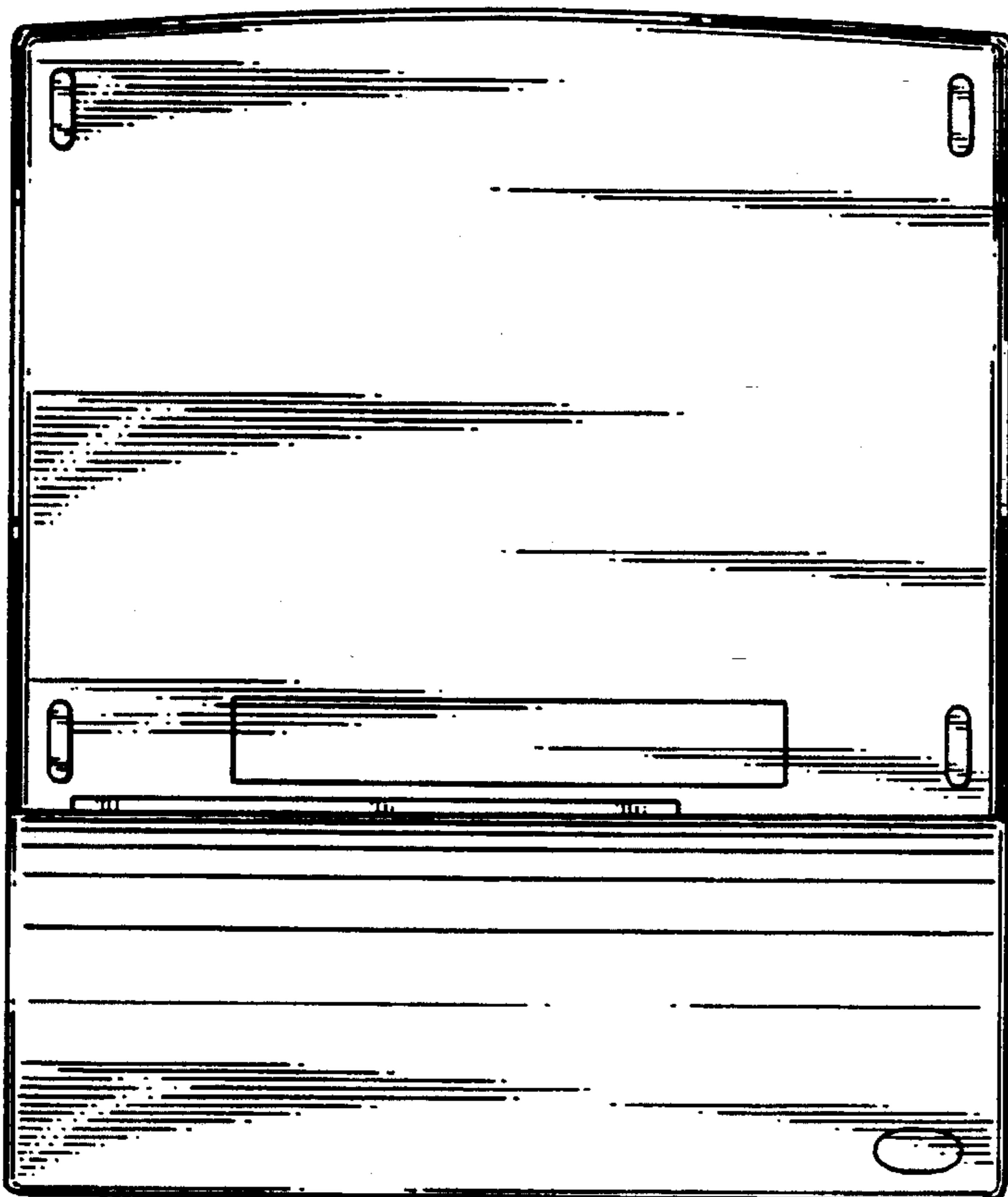
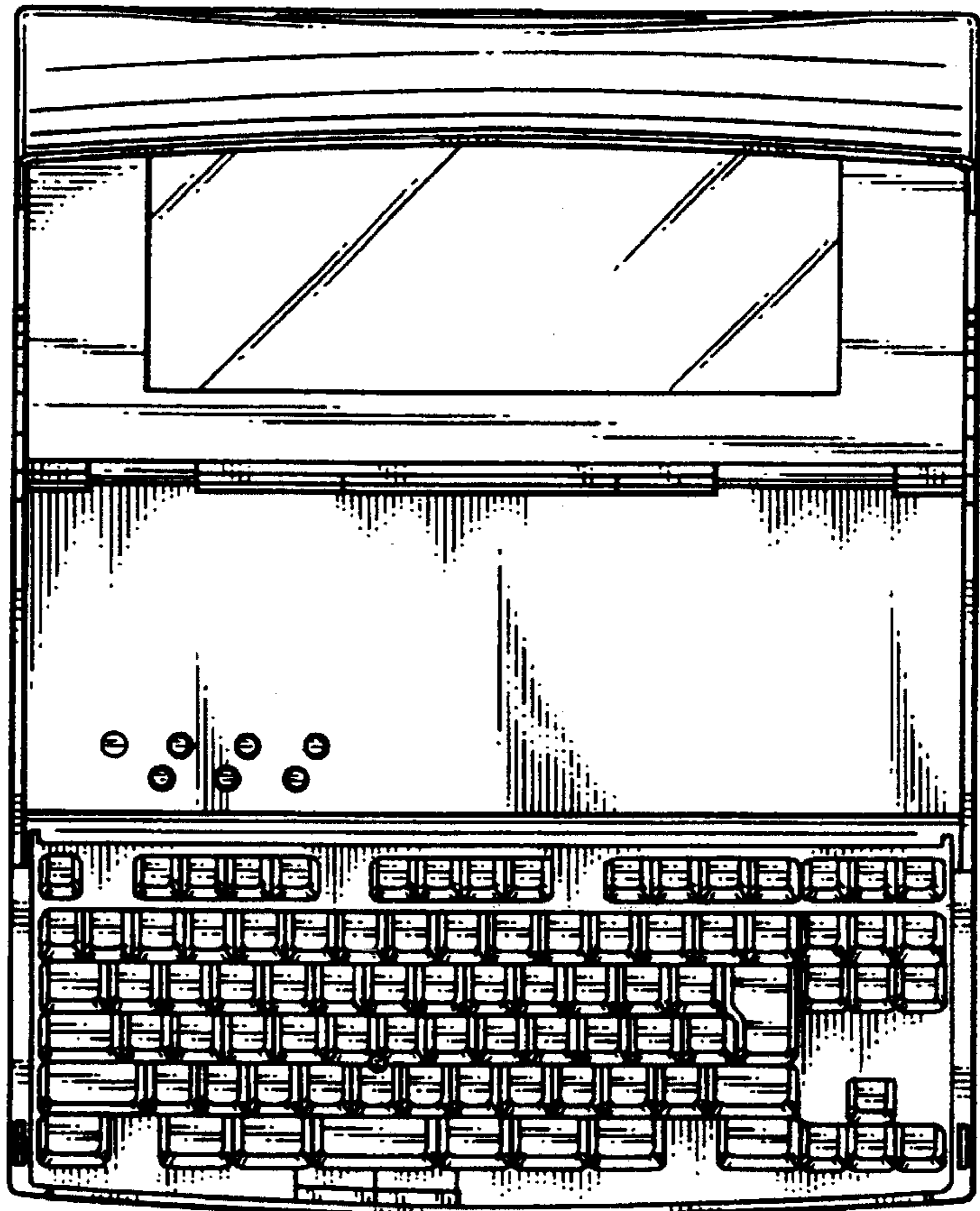


*Fig. 3*

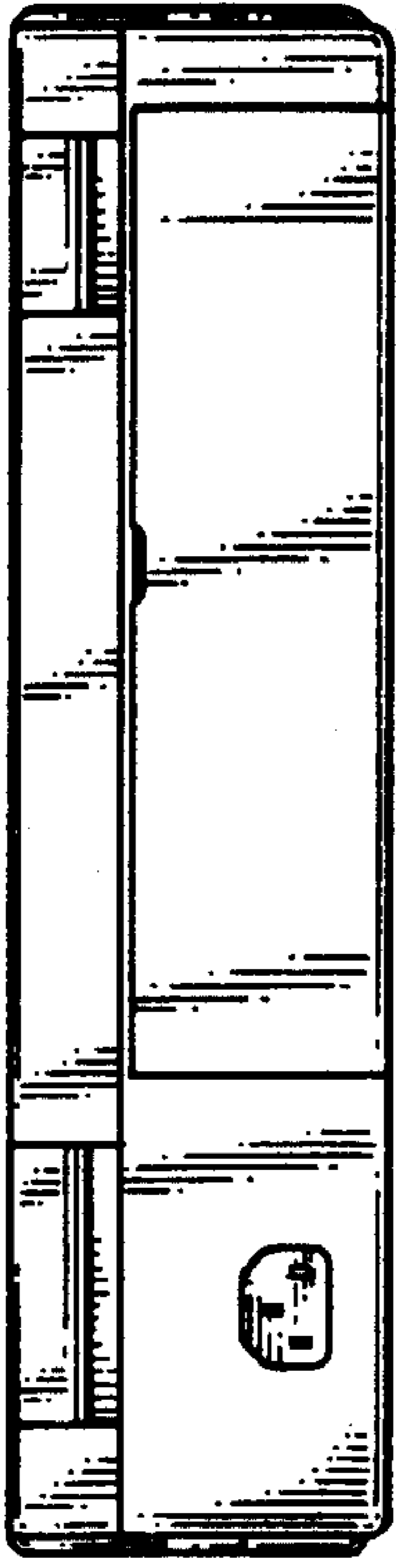


*Fig. 6*

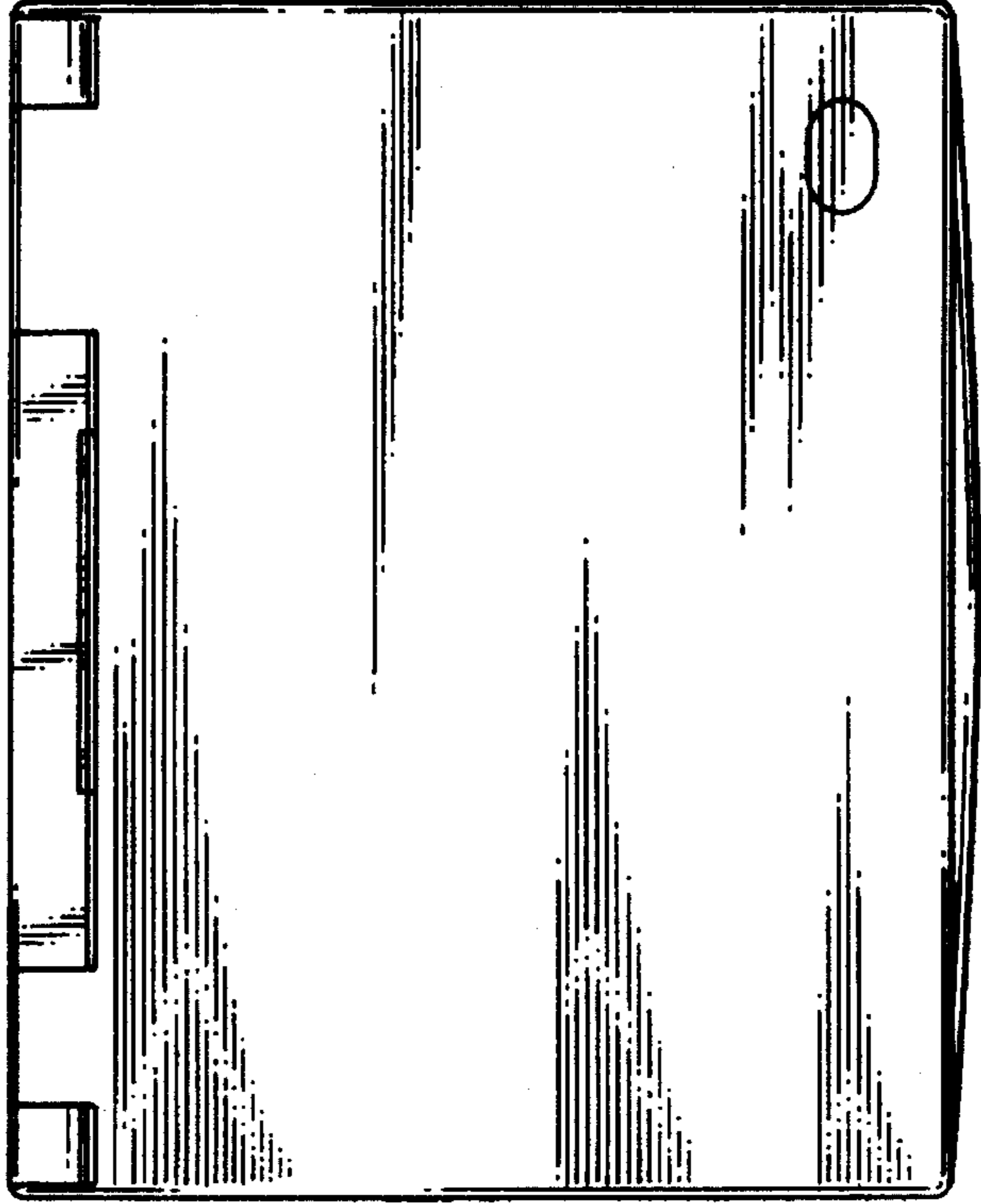
*Fig. 4*



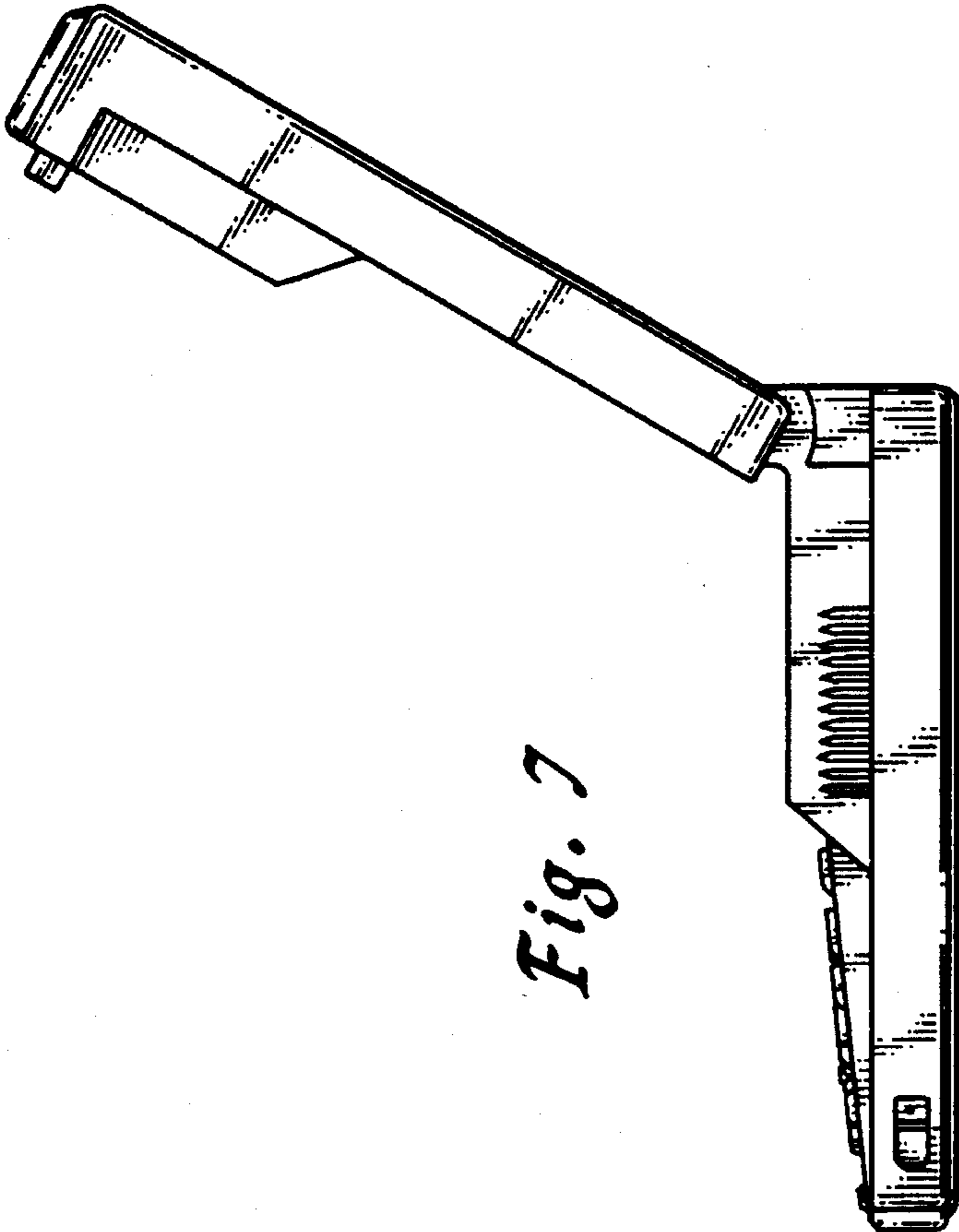
*Fig. 5*



*Fig. 9*



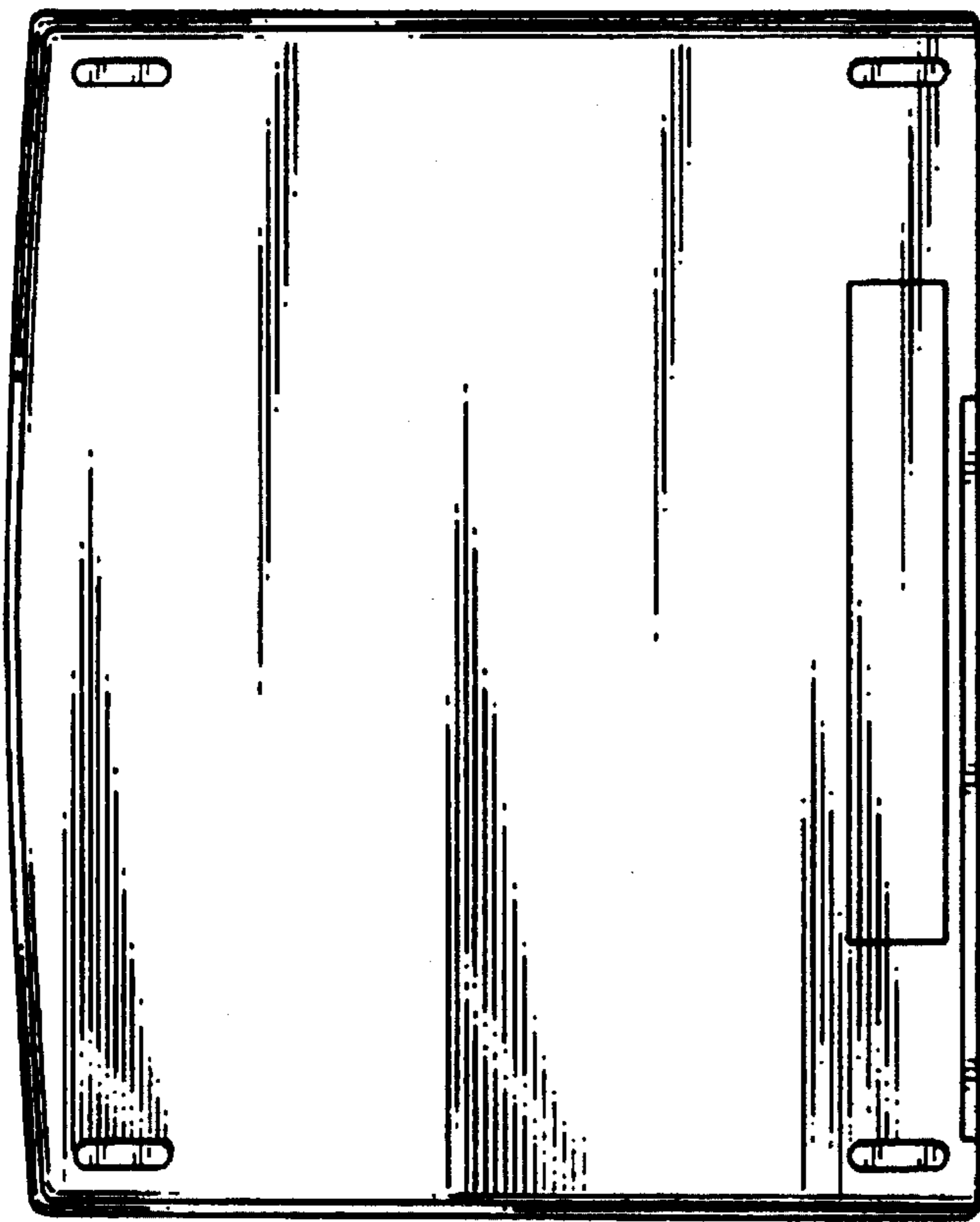
*Fig. 10*



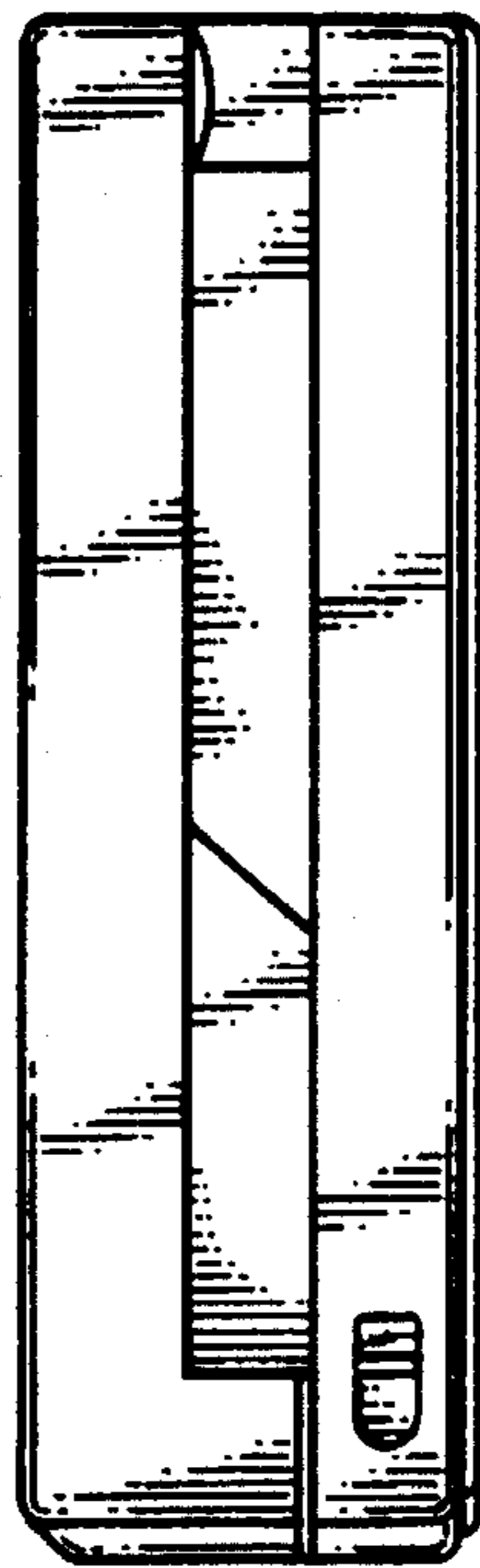
*Fig. 7*



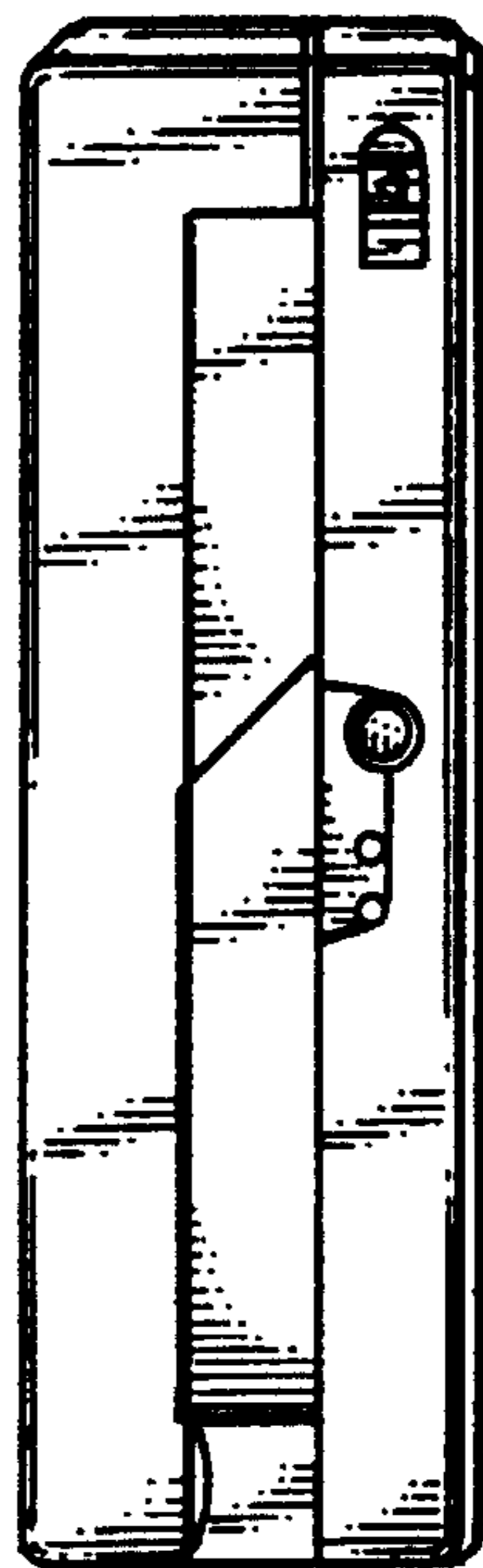
*Fig. 8*



*Fig. 11*



*Fig. 13*



*Fig. 12*