



US00D364149S

# United States Patent [19]

Alfonso

[11] Patent Number: **Des. 364,149**

[45] Date of Patent: **\*\*Nov. 14, 1995**

[54] **COMPUTER HOUSING**

[75] Inventor: **Pedro M. Alfonso**, Austin, Tex.

[73] Assignee: **International Business Machines Corporation**, Armonk, N.Y.

[\*\*] Term: **14 Years**

[21] Appl. No.: **28,879**

[22] Filed: **Sep. 23, 1994**

[52] U.S. Cl. .... **D14/102**

[58] **Field of Search** ..... D14/100, 102, D14/107-109; D13/162, 184, 199; D6/421-423, 432, 396; 312/208.1, 223.2, 223.3, 194; 360/97.01, 97.04, 98.01, 99.01, 99.12; 361/600, 622, 724-728

[56] **References Cited**

**U.S. PATENT DOCUMENTS**

D. 315,550 3/1991 Hill ..... D14/102  
D. 337,758 7/1993 Barbera et al. .... D14/102

D. 342,488 12/1993 Kuzumoto et al. .... D14/109

*Primary Examiner*—Freda Nunn  
*Attorney, Agent, or Firm*—Casimer K. Salys

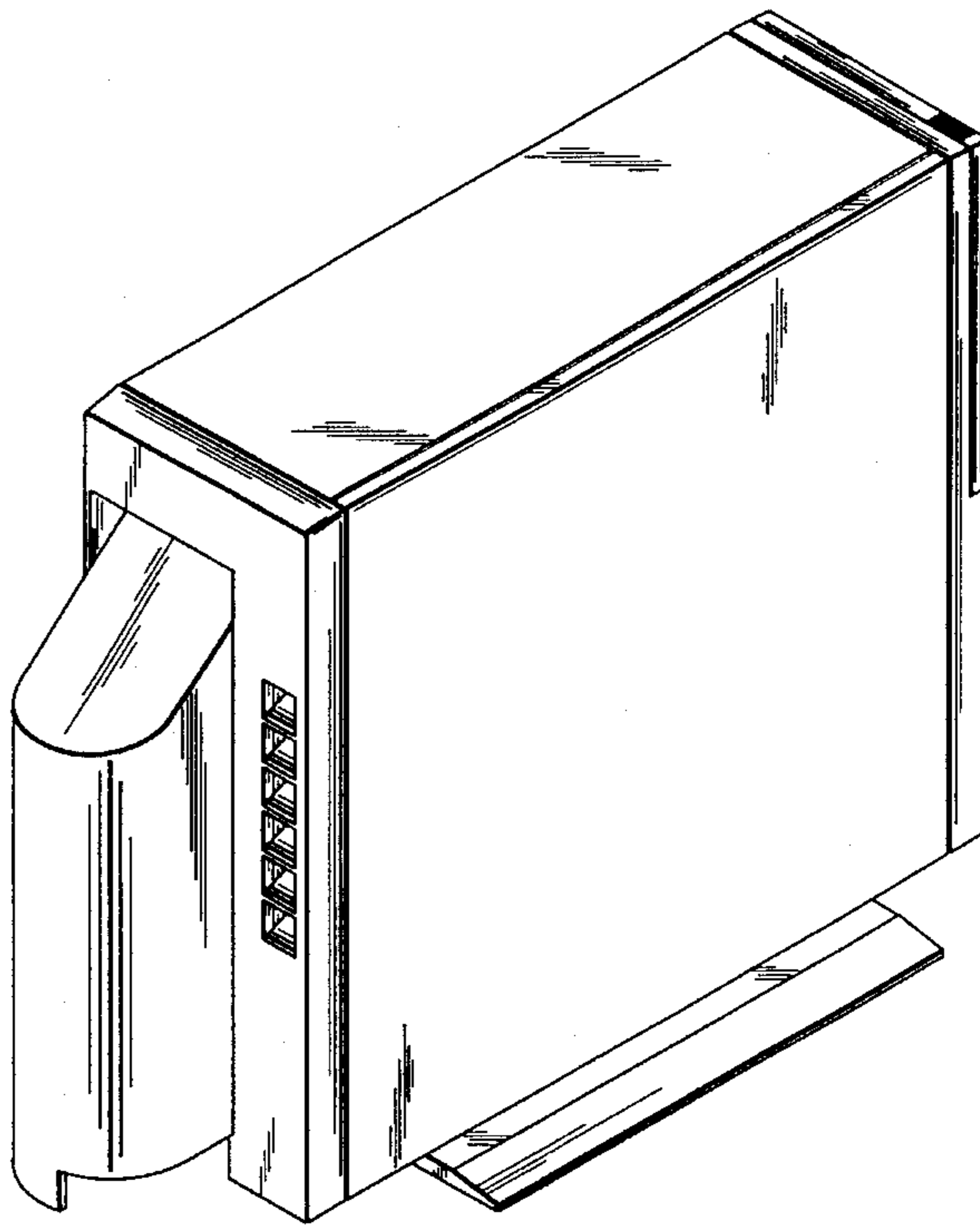
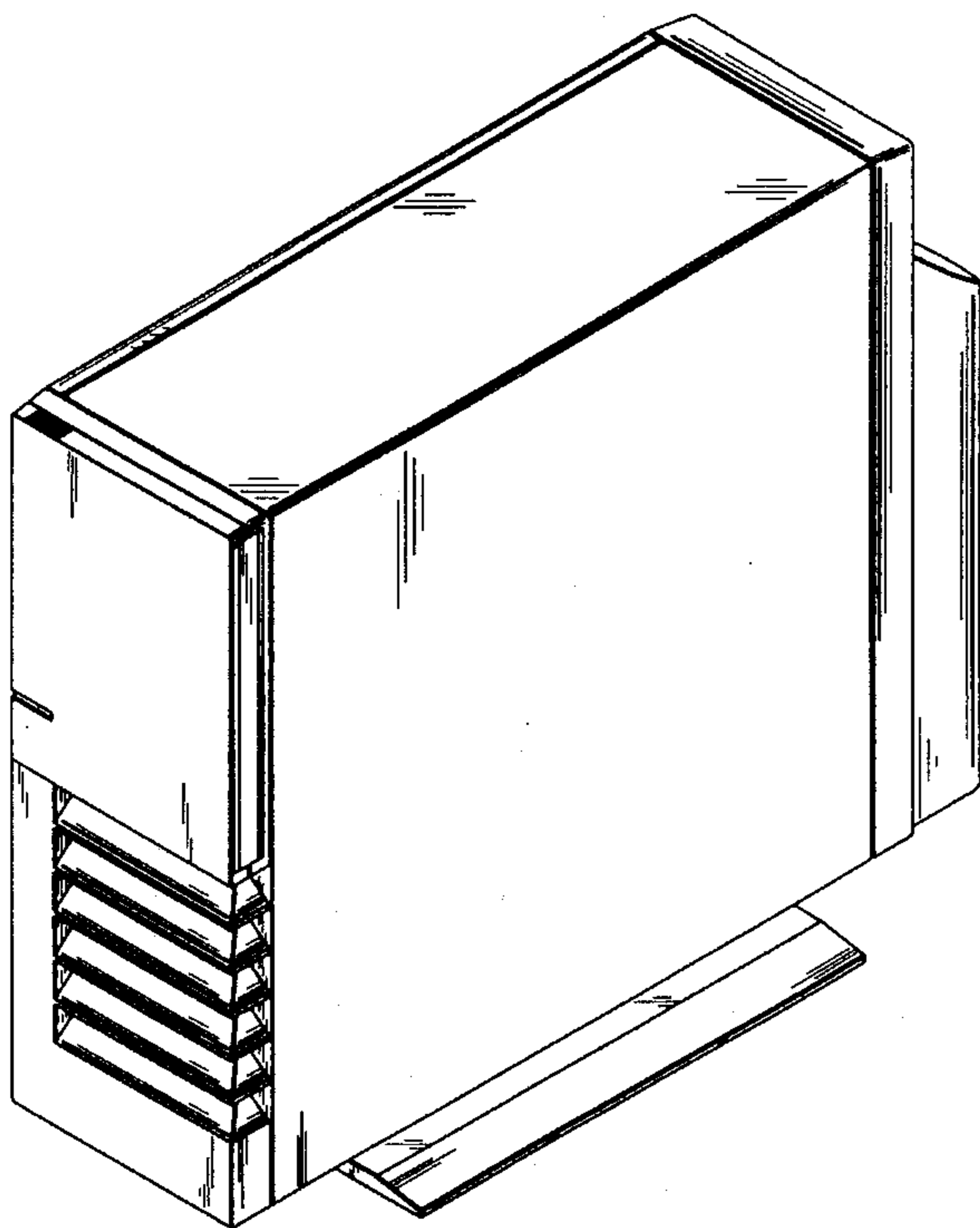
[57] **CLAIM**

The ornamental design for a computer housing, as shown and described.

**DESCRIPTION**

FIG. 1 is a front view of a computer housing showing my new design;  
FIG. 2 is a top plan view thereof the undisclosed bottom is unornamented;  
FIG. 3 is a right side view thereof;  
FIG. 4 is a left side view thereof;  
FIG. 5 is a rear view thereof;  
FIG. 6 is a top, front, right side perspective view thereof; and,  
FIG. 7 is a top, rear, left side perspective view thereof.

**1 Claim, 7 Drawing Sheets**



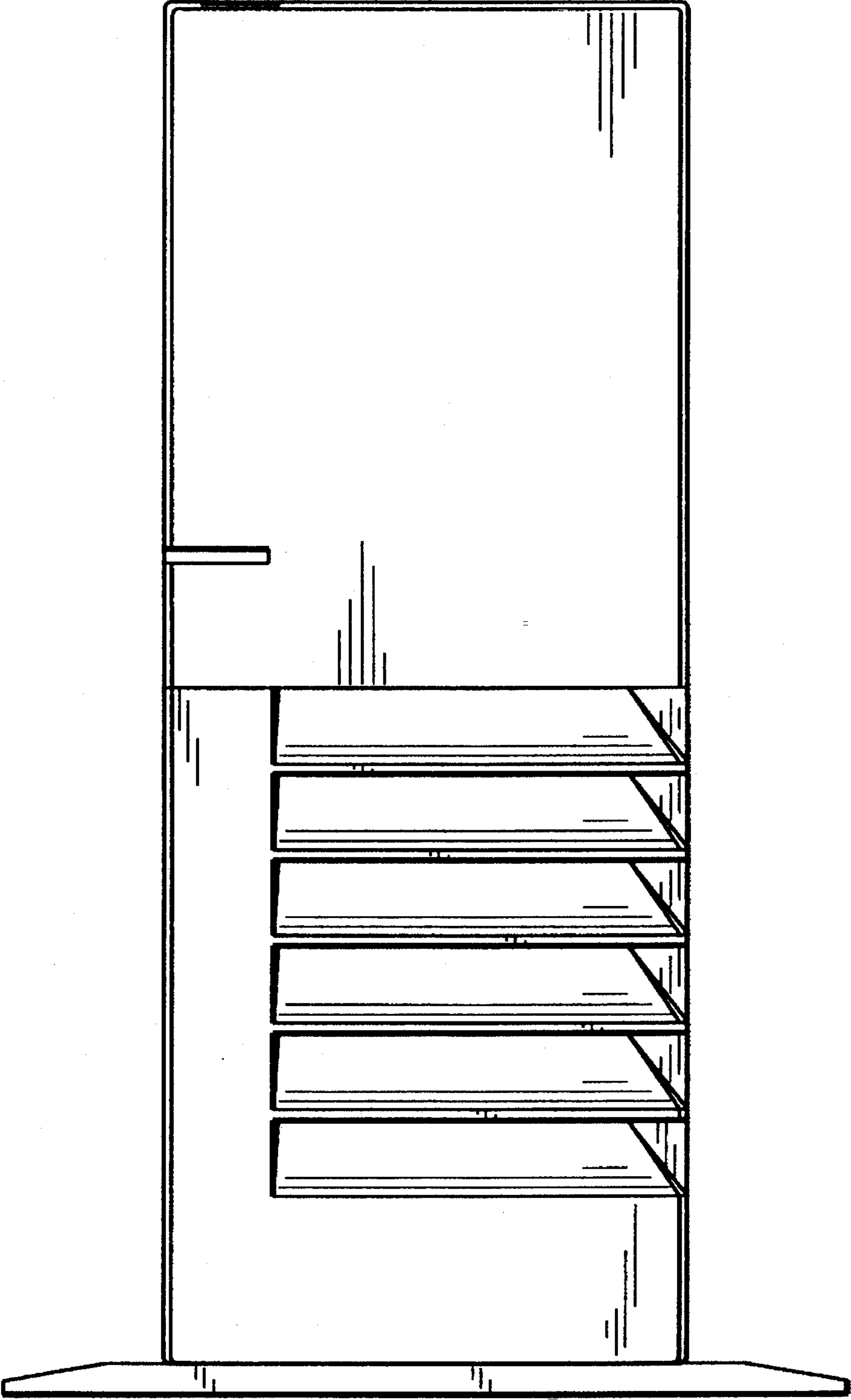


FIG. 1

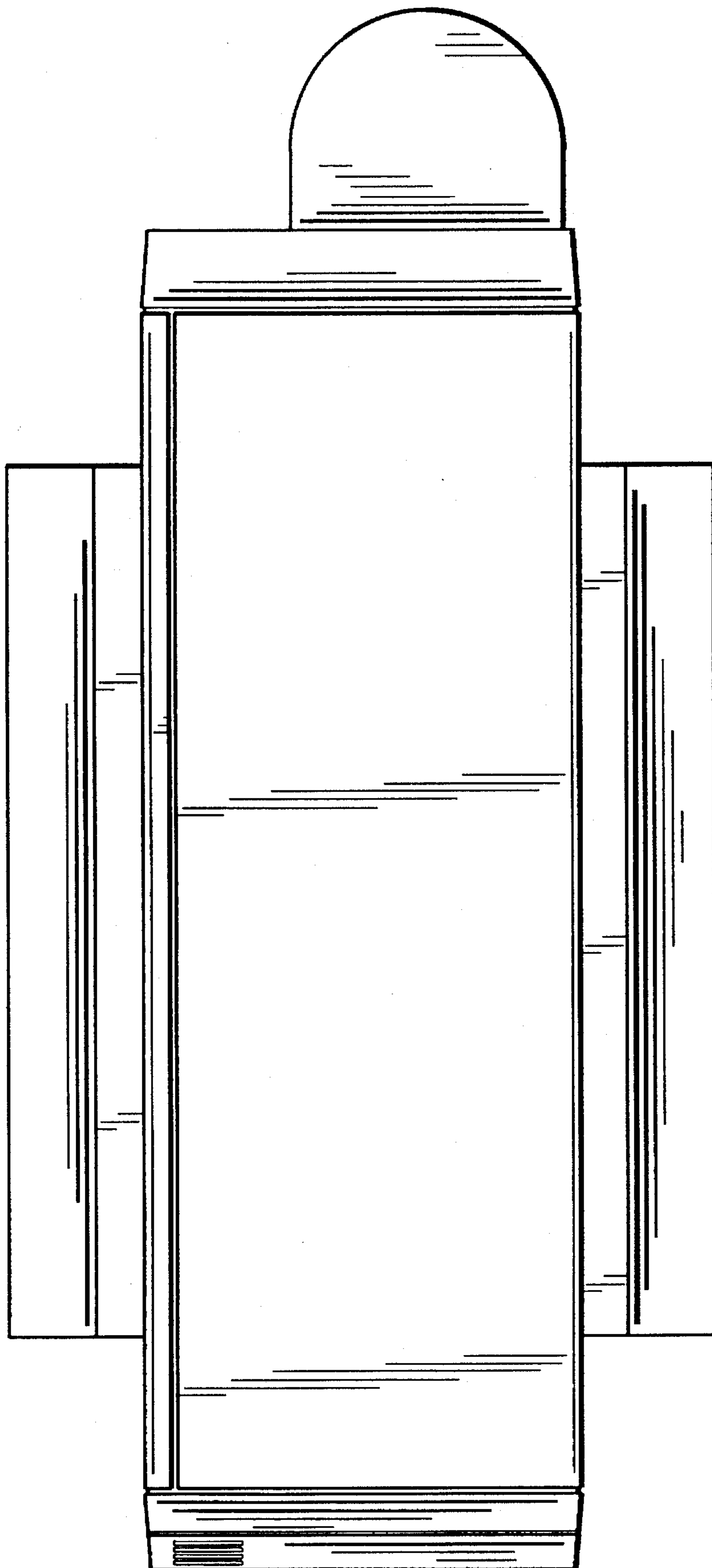
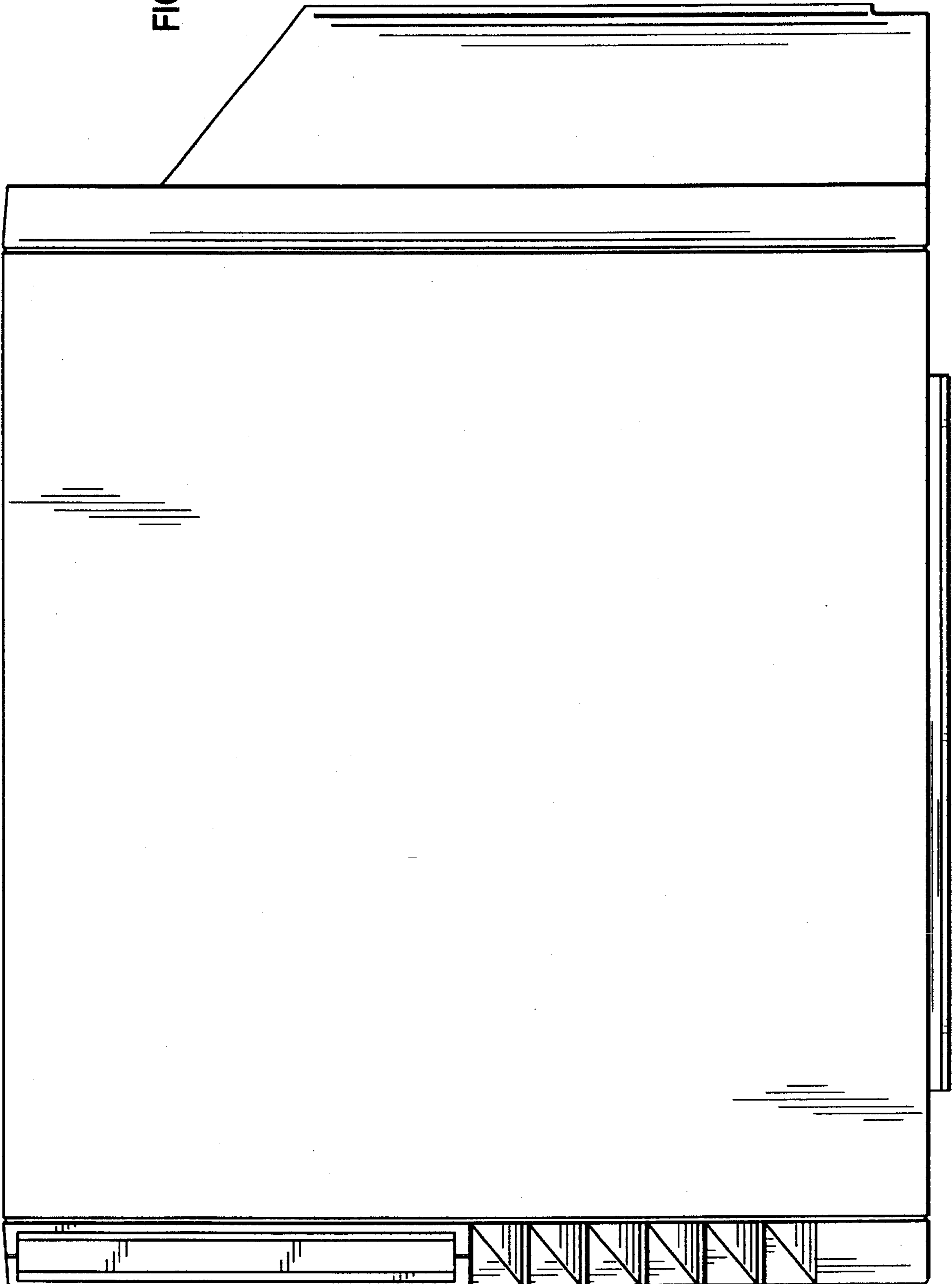


FIG. 2

FIG. 3



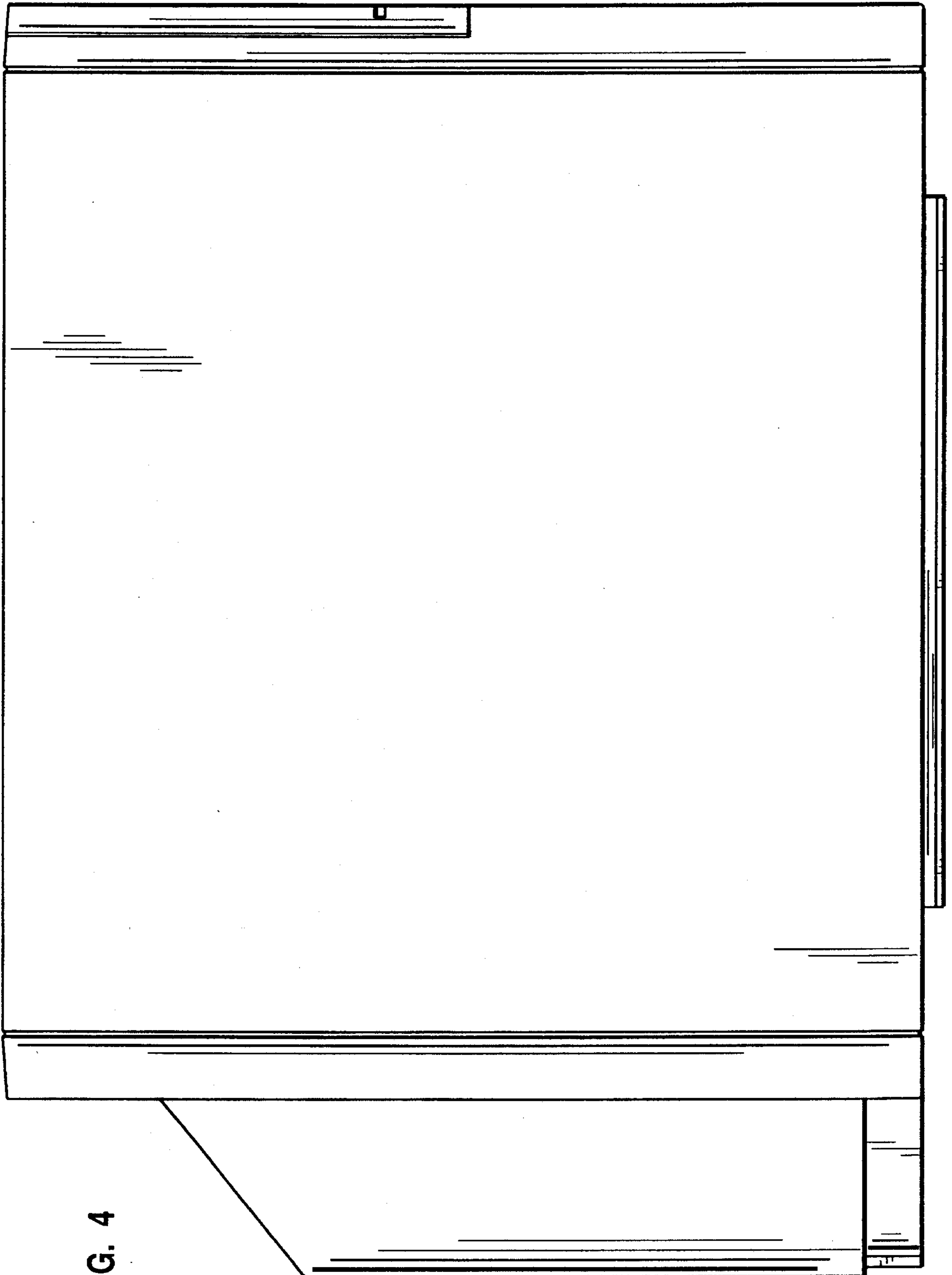


FIG. 4

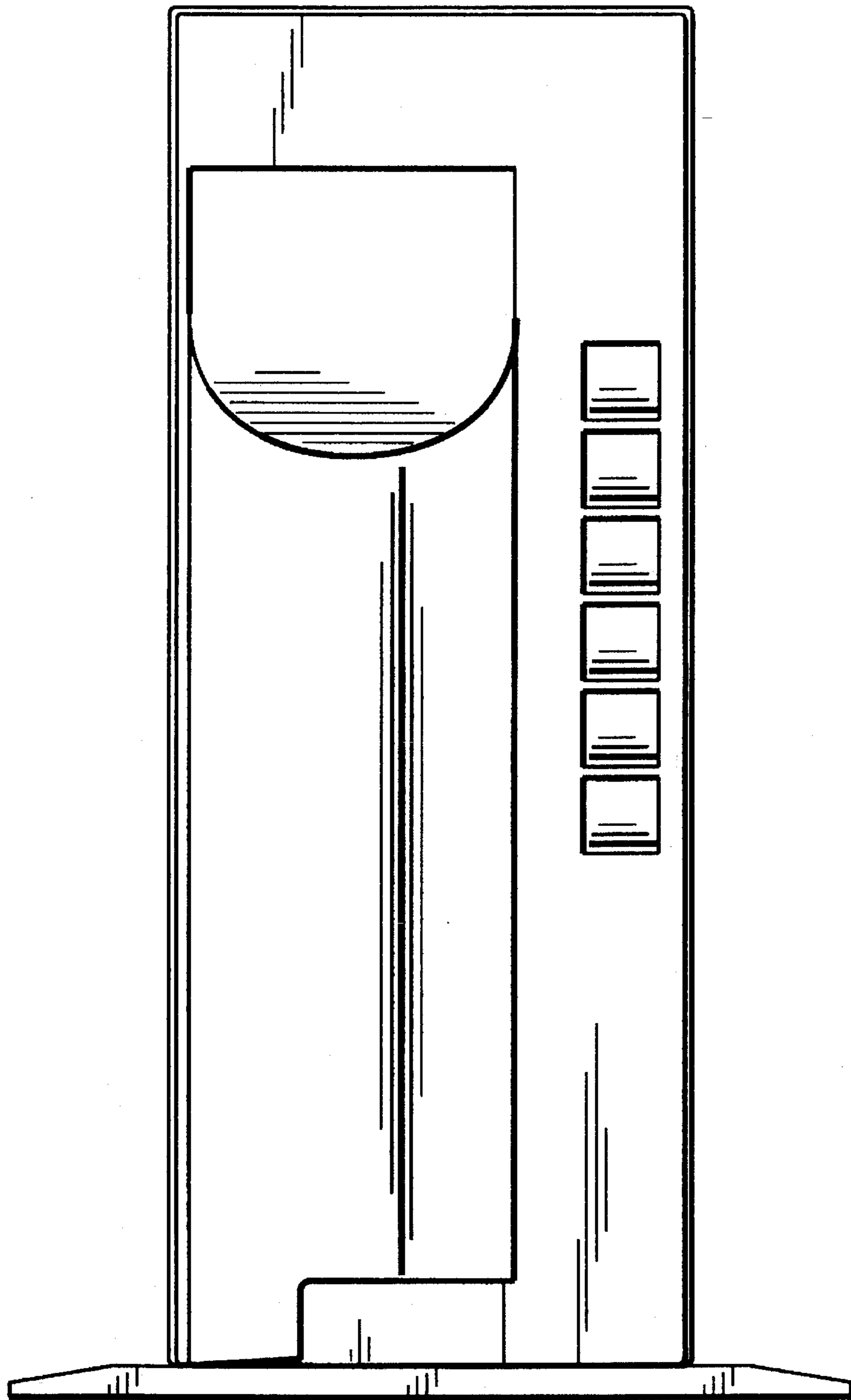


FIG. 5

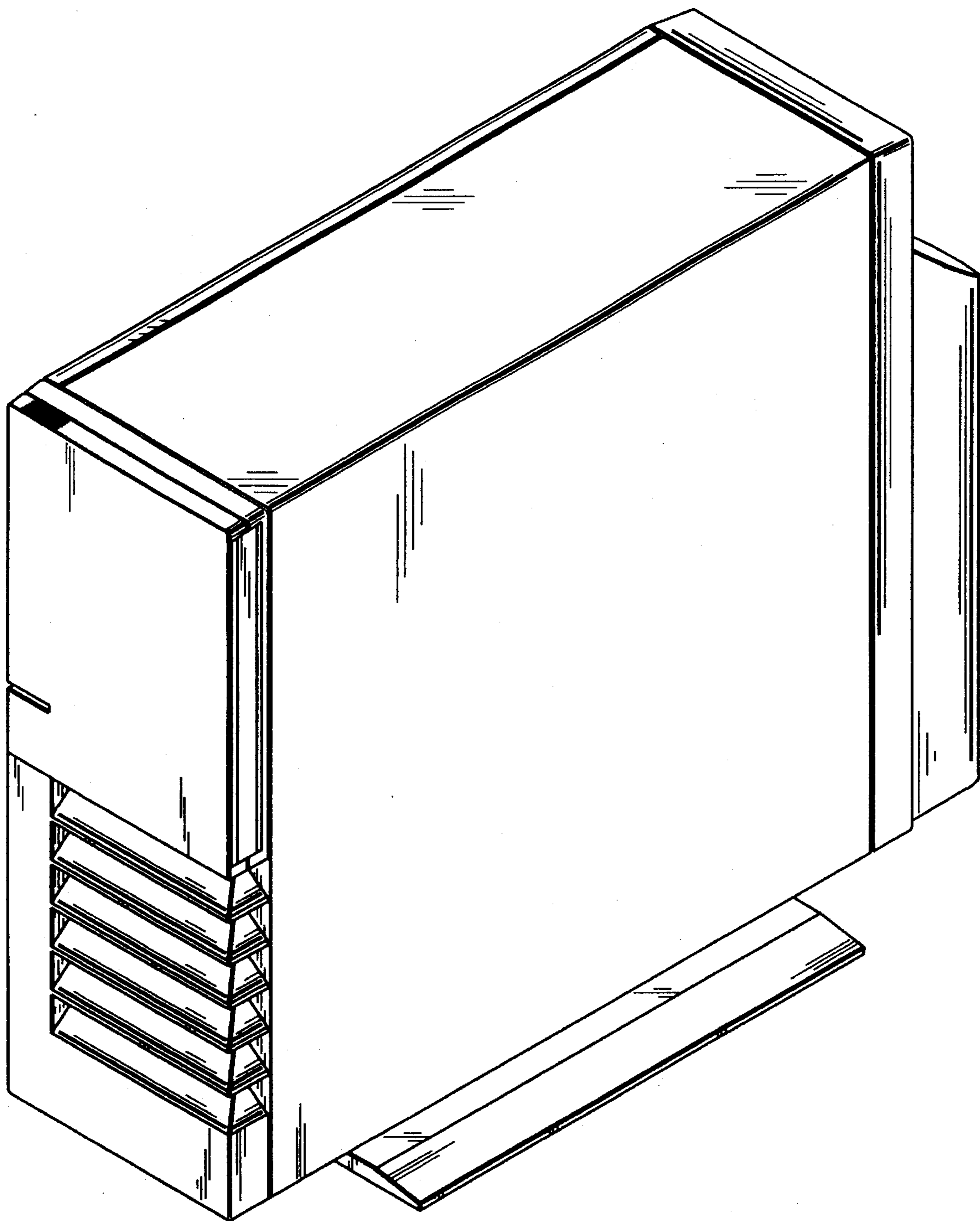


FIG. 6

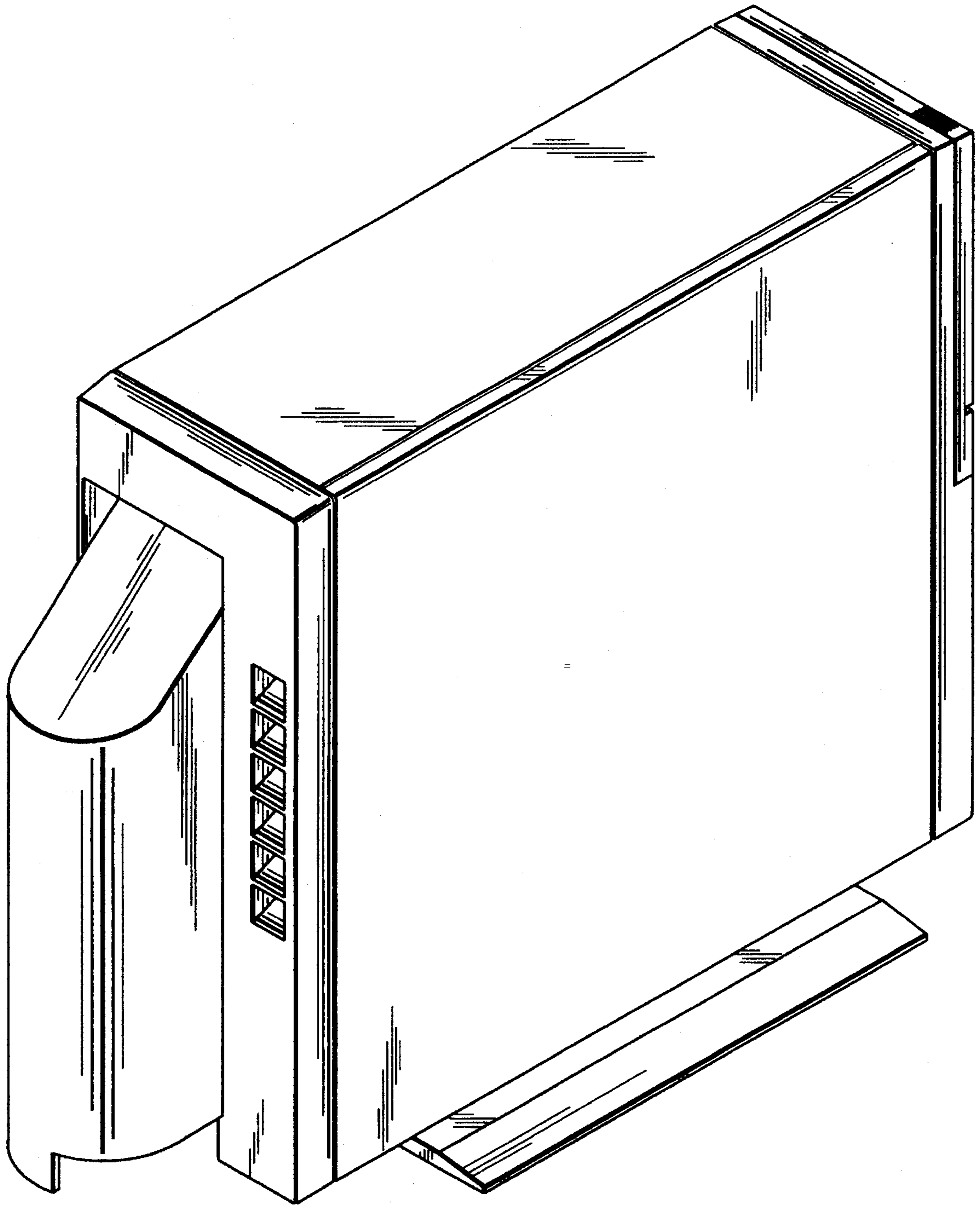


FIG. 7