



US00D364146S

# United States Patent [19] Esslinger

[11] Patent Number: **Des. 364,146**

[45] Date of Patent: **\*\*Nov. 14, 1995**

[54] **COMPUTER**

[75] Inventor: **Hartmut H. Esslinger**, Los Gatos, Calif.

[73] Assignee: **Packard Bell Electronics, Inc.**, Westlake Village, Calif.

[\*\*] Term: **14 Years**

[21] Appl. No.: **24,290**

[22] Filed: **Jun. 13, 1994**

### Related U.S. Application Data

[63] Continuation-in-part of Ser. No. 23,794, Jun. 1, 1994, abandoned.

[52] U.S. Cl. .... **D14/100**

[58] Field of Search ..... D14/100, 101, D14/106, 113, 124-127, 129; 248/917-924; 345/104, 133, 156, 168, 173, 87, 901-905; 358/249, 254, 255; 361/679-686; 364/708.1, 709.04, 709.12

### References Cited

#### U.S. PATENT DOCUMENTS

D. 310,067	8/1990	Koprowski et al. ....	D14/106
D. 310,522	9/1990	Yang .....	D14/129
D. 311,183	10/1990	Fujii et al. ....	D14/126
D. 316,086	4/1991	Gauffin .....	D14/113
D. 323,824	2/1992	Kawanabe et al. ....	D14/126
D. 327,258	6/1992	Barbera et al. ....	D14/106

D. 347,838	6/1994	Taniuchi et al. ....	D14/126
D. 354,282	1/1995	Koo et al. ....	D14/126
5,190,258	3/1993	Yu .....	248/918 X

### OTHER PUBLICATIONS

Canadian Industrial Design Registration Number 70,363 for a "Computer Case", registered Mar. 31, 1992 in the name of "Elonex PLC".

Asian Sources Computer Products, Sunlan Electronics Corp. Advertisement, Oct. 1993, p. 223.

Primary Examiner—Freda Nunn

Attorney, Agent, or Firm—Wilson, Sonsini, Goodrich & Rosati

### [57] CLAIM

The ornamental design for a computer, as shown and described.

### DESCRIPTION

FIG. 1 is a top, front, right perspective view of a computer showing my new design with speaker screen partially drawn for ease of illustration and it being understood to continue across the indicated surfaces;

FIG. 2 is a front elevation thereof;

FIG. 3 is a rear elevation thereof;

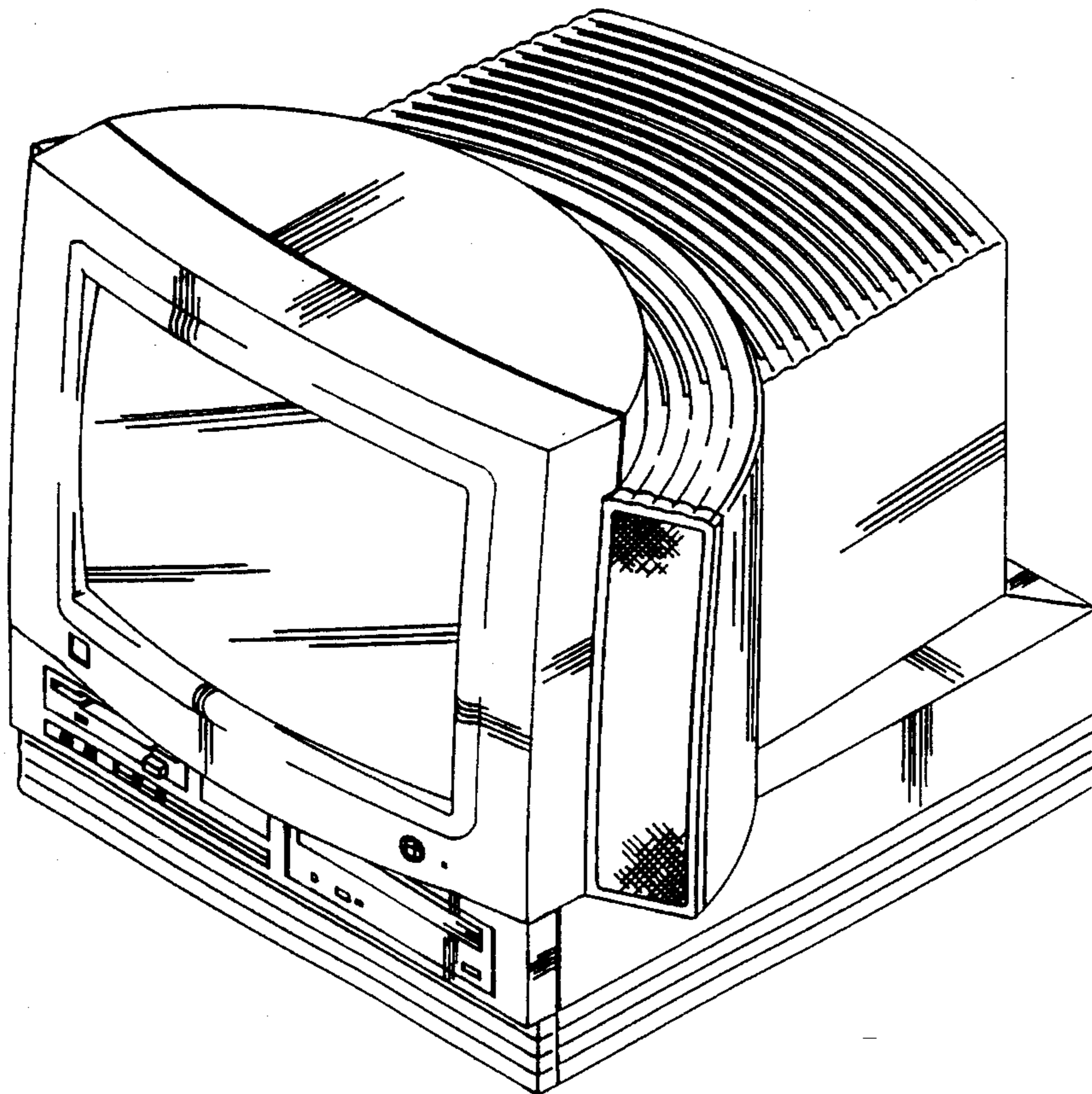
FIG. 4 is a right side elevation thereof;

FIG. 5 is a left side elevation thereof;

FIG. 6 is a top plan view thereof; and,

FIG. 7 is a bottom plan view thereof.

**1 Claim, 7 Drawing Sheets**



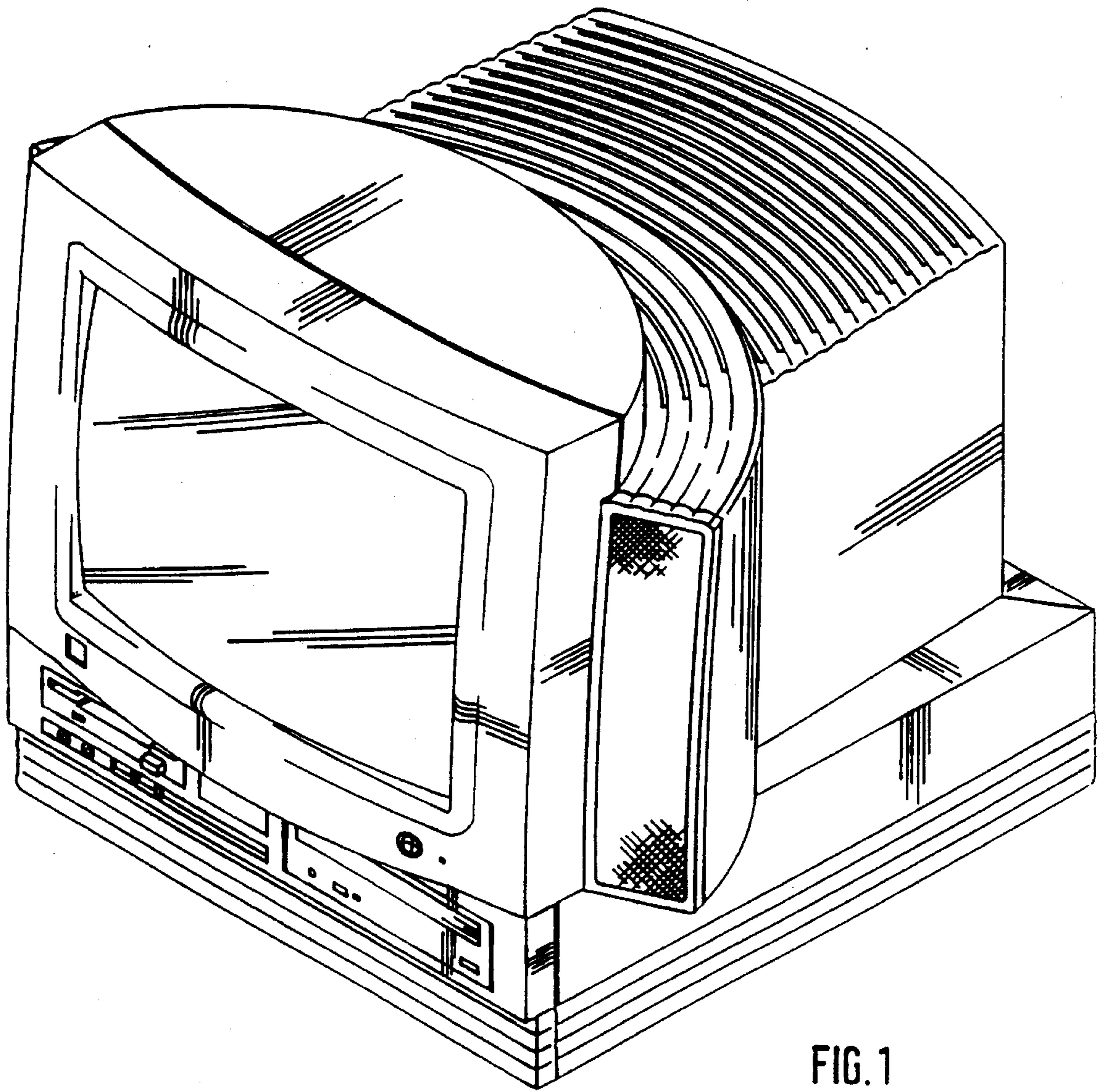


FIG. 1

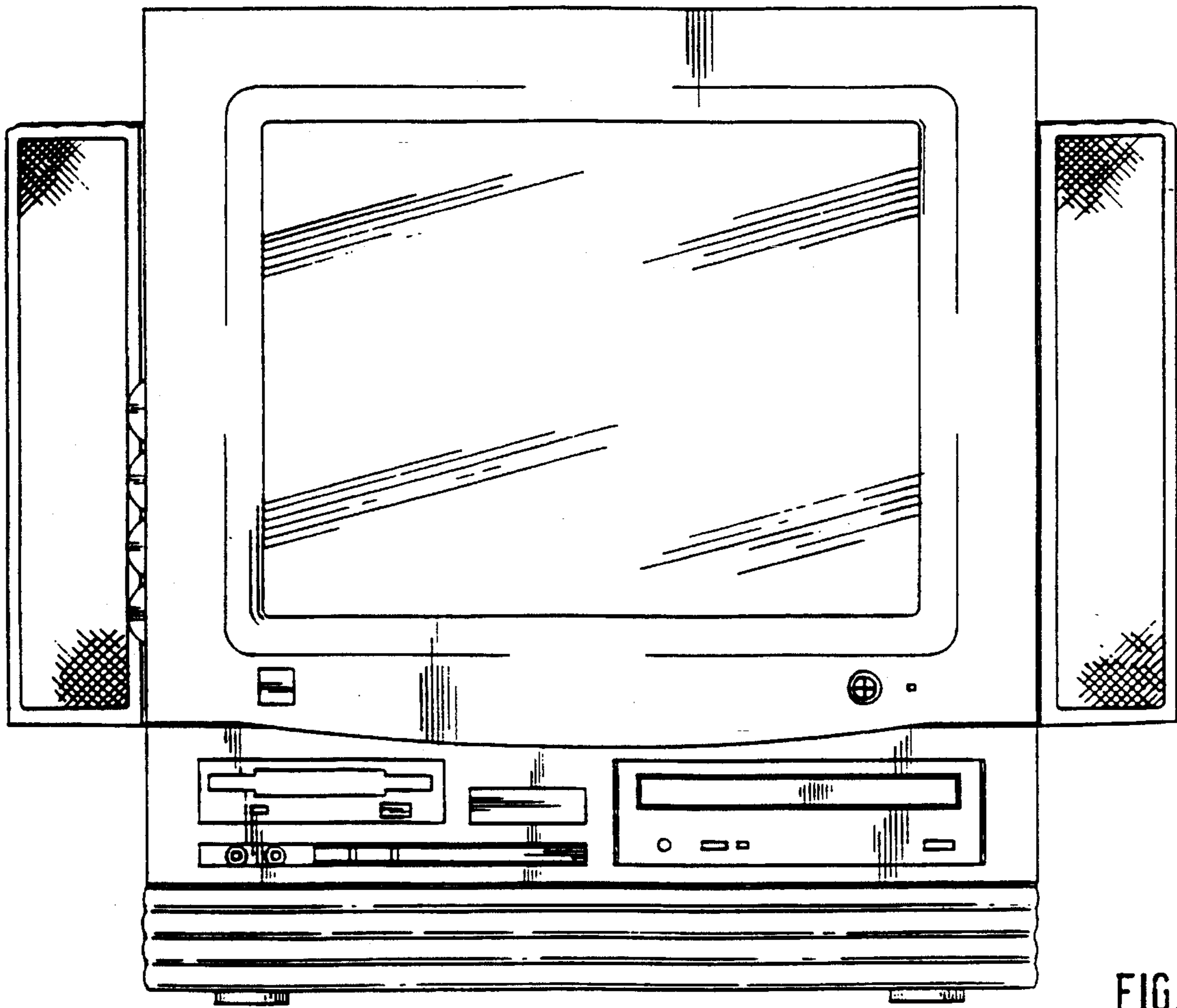


FIG. 2

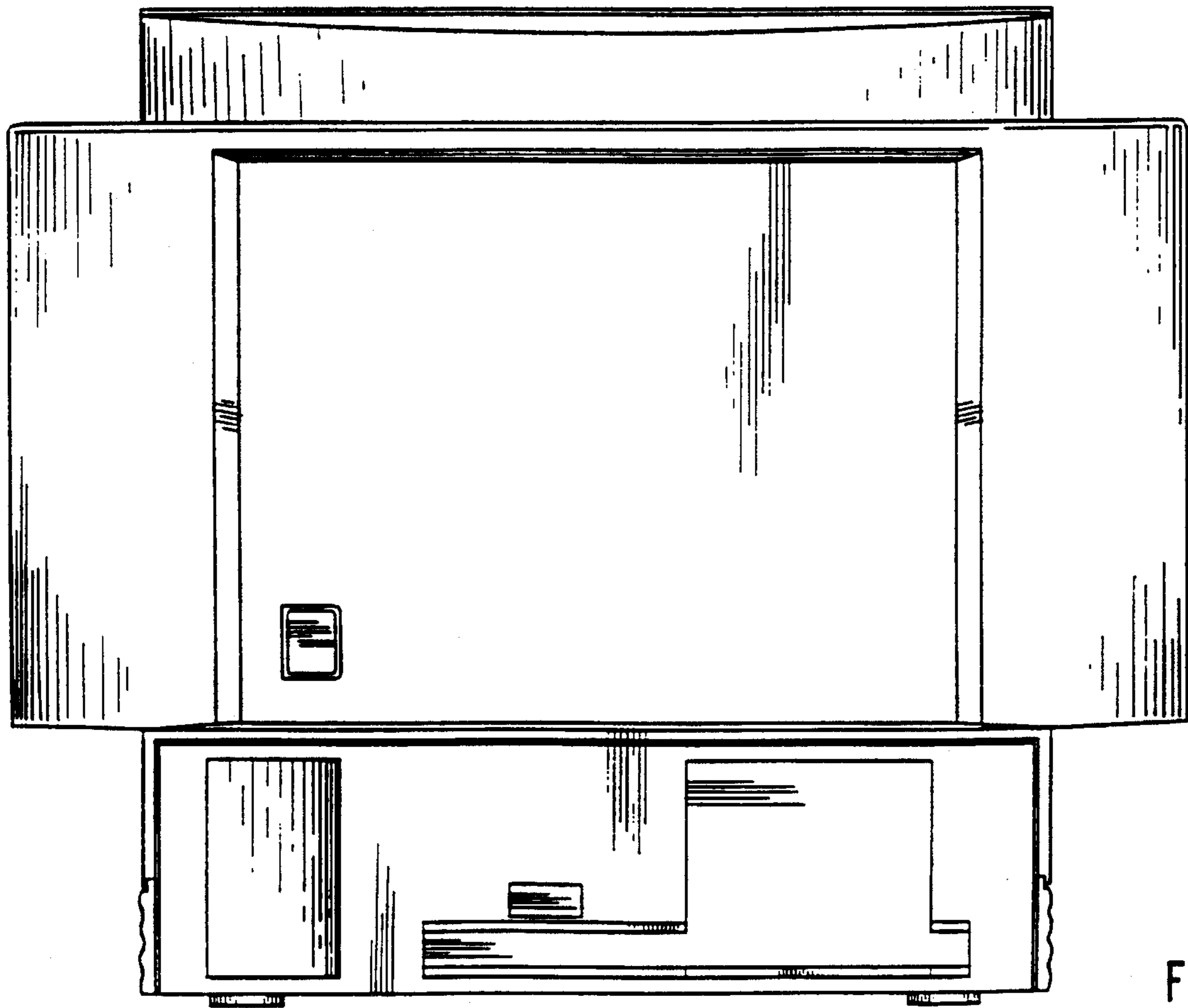


FIG. 3

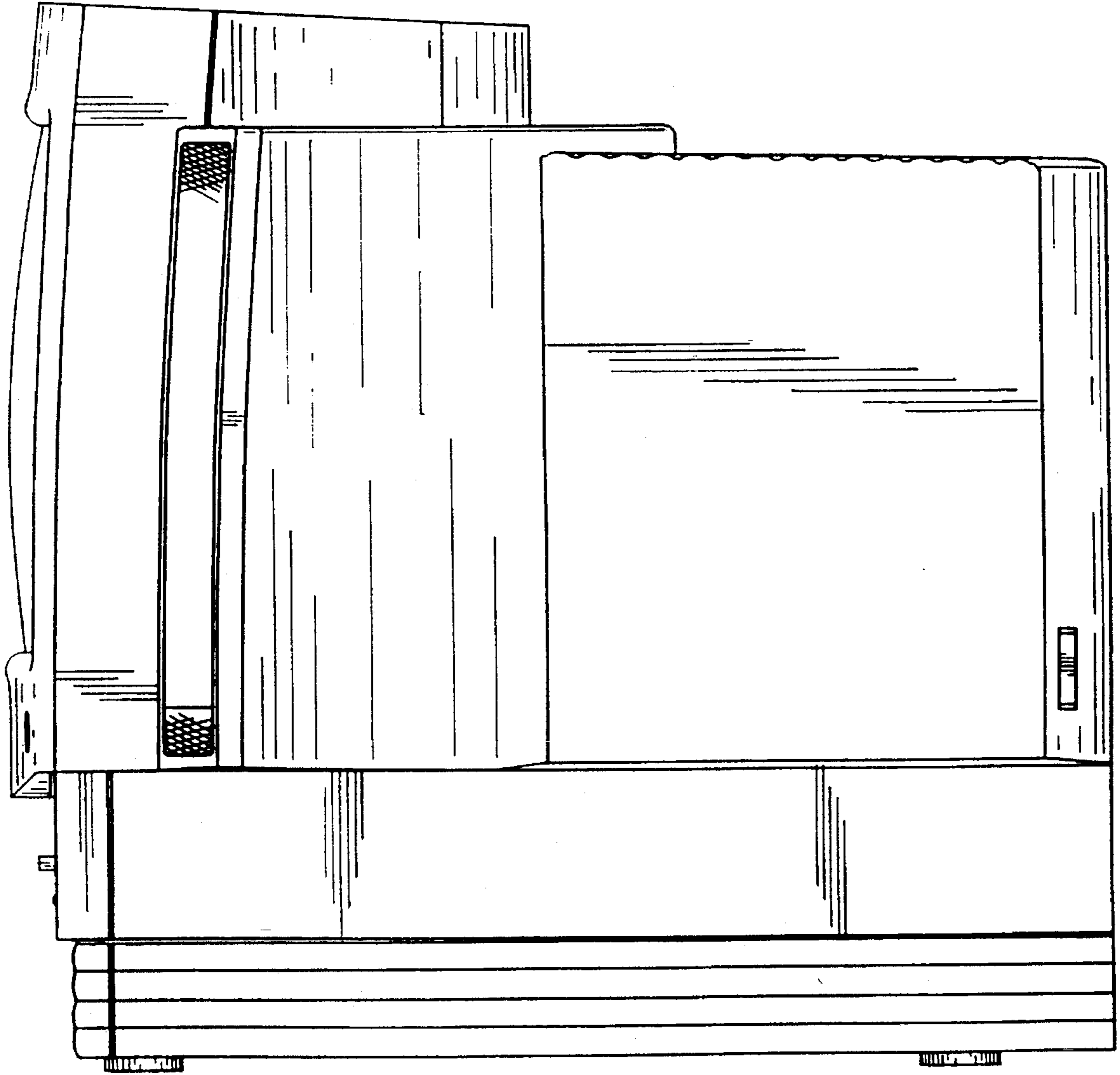


FIG. 4

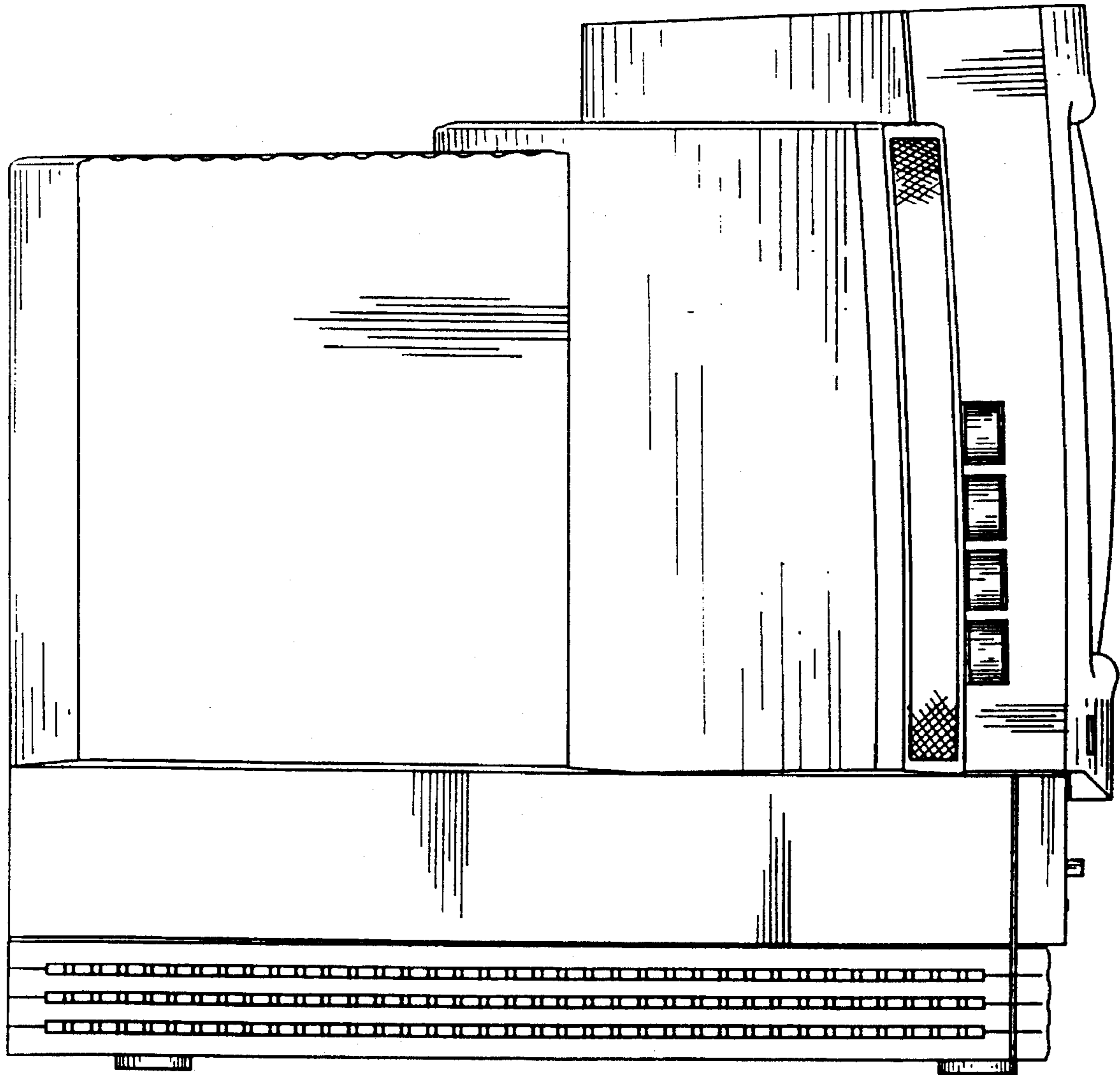


FIG. 5

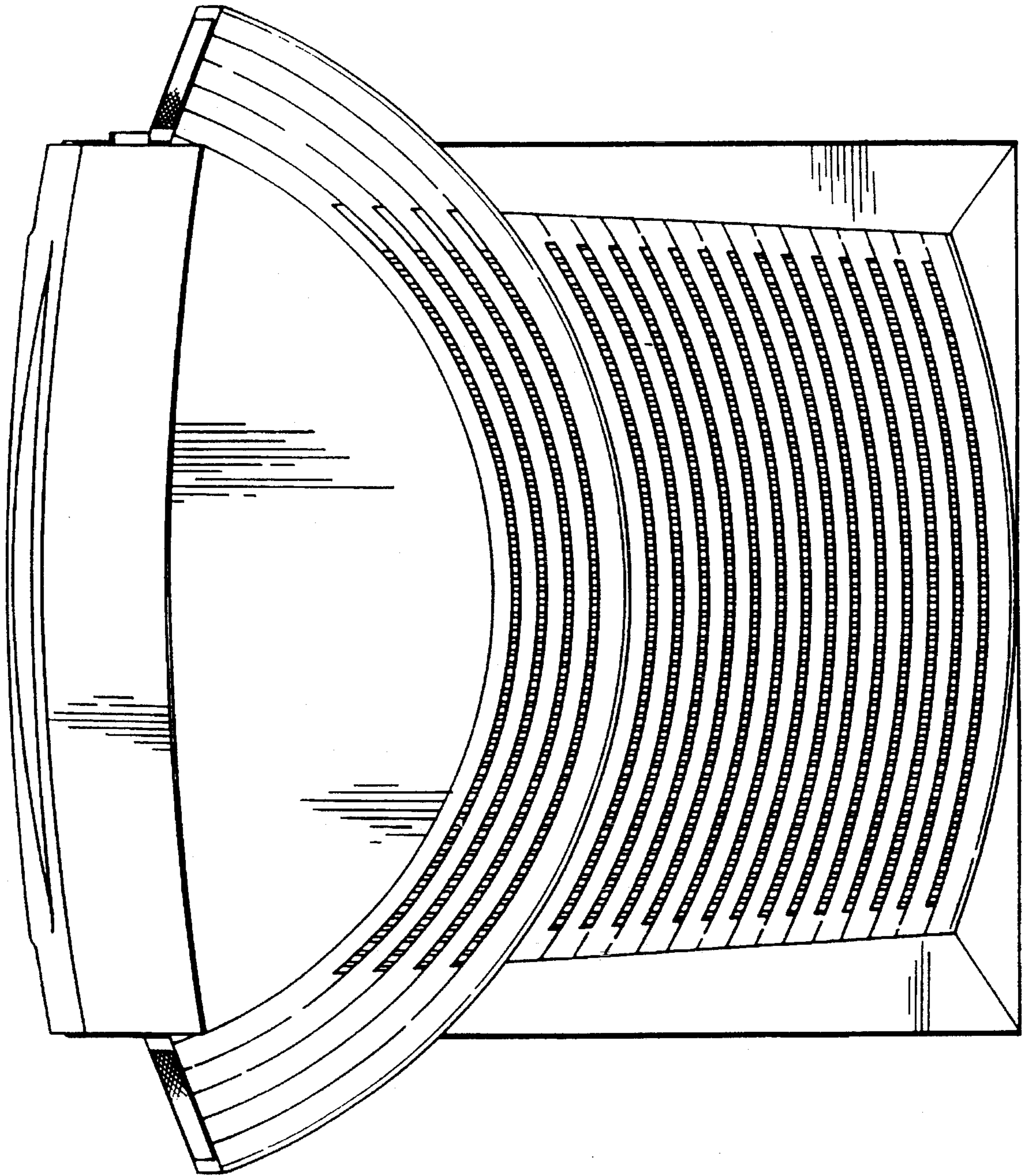


FIG. 6

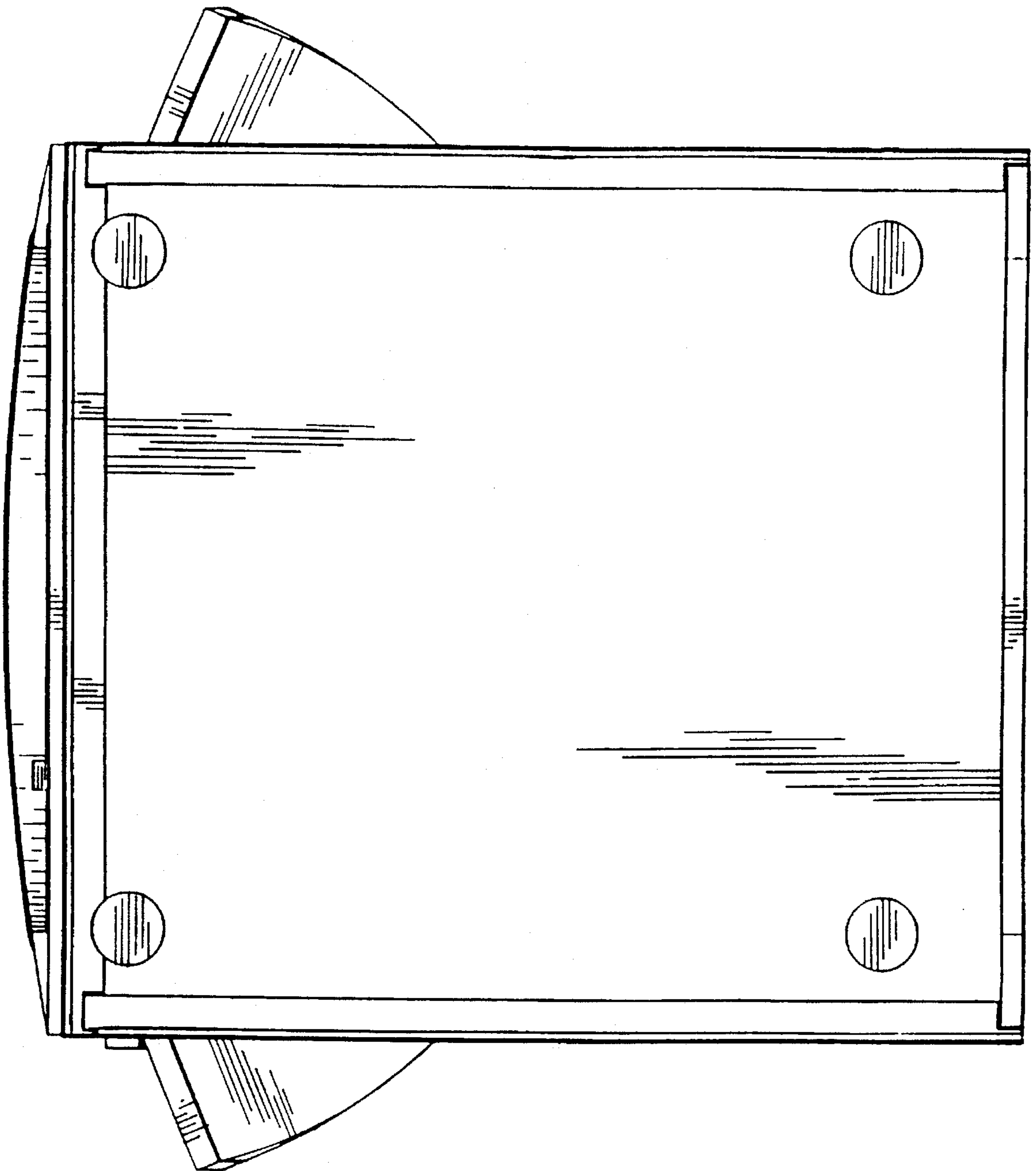


FIG. 7