



US00D364143S

United States Patent [19]

Weingartner

[11] Patent Number: Des. 364,143

[45] Date of Patent: **Nov. 14, 1995

[54] HOUSING FOR AN OUTDOOR UTILITY DEVICE

725845 5/1932 France 220/3.2
2432380 1/1976 Germany 312/223.1

[75] Inventor: Peter A. Weingartner, Fairfield, Ohio

[73] Assignee: Woods Industries, Carmel, Ind.

[**] Term: 14 Years

[21] Appl. No.: 26,709

[22] Filed: Aug. 4, 1994

[52] U.S. Cl. D13/152

[58] Field of Search D13/152; D26/67,
D26/68; 174/48, 50, 52.1, 58, 63, 66, 67;
220/3.2, 3.8, 3.9, 241, 242; 362/266, 267

OTHER PUBLICATIONS

Packaging Label for Kintron 3-Way Indoor/Outdoor Flood-light Holder Kit.

Primary Examiner—Joel Sincavage
Attorney, Agent, or Firm—McAndrews, Held, & Malloy, Ltd.

[57] CLAIM

The ornamental design for the housing for an outdoor utility device, as shown and described.

DESCRIPTION

FIG. 1 is a top front perspective view of a housing for an outdoor utility device;

FIG. 2 is a top rear perspective view of the housing of FIG. 1;

FIG. 3 is a rear view of the housing of FIG. 1;

FIG. 4 is a side view of the housing of FIG. 1, both sides being identical;

FIG. 5 is a top view of the housing of FIG. 1;

FIG. 6 is a bottom view of the housing of FIG. 1; and,

FIG. 7 is a front view of the housing of FIG. 1 with the faceplate removed.

The broken line showing throughout the drawing figures is included for the purpose of illustrating environmental structure only and forms no part of the claimed design.

[56] References Cited

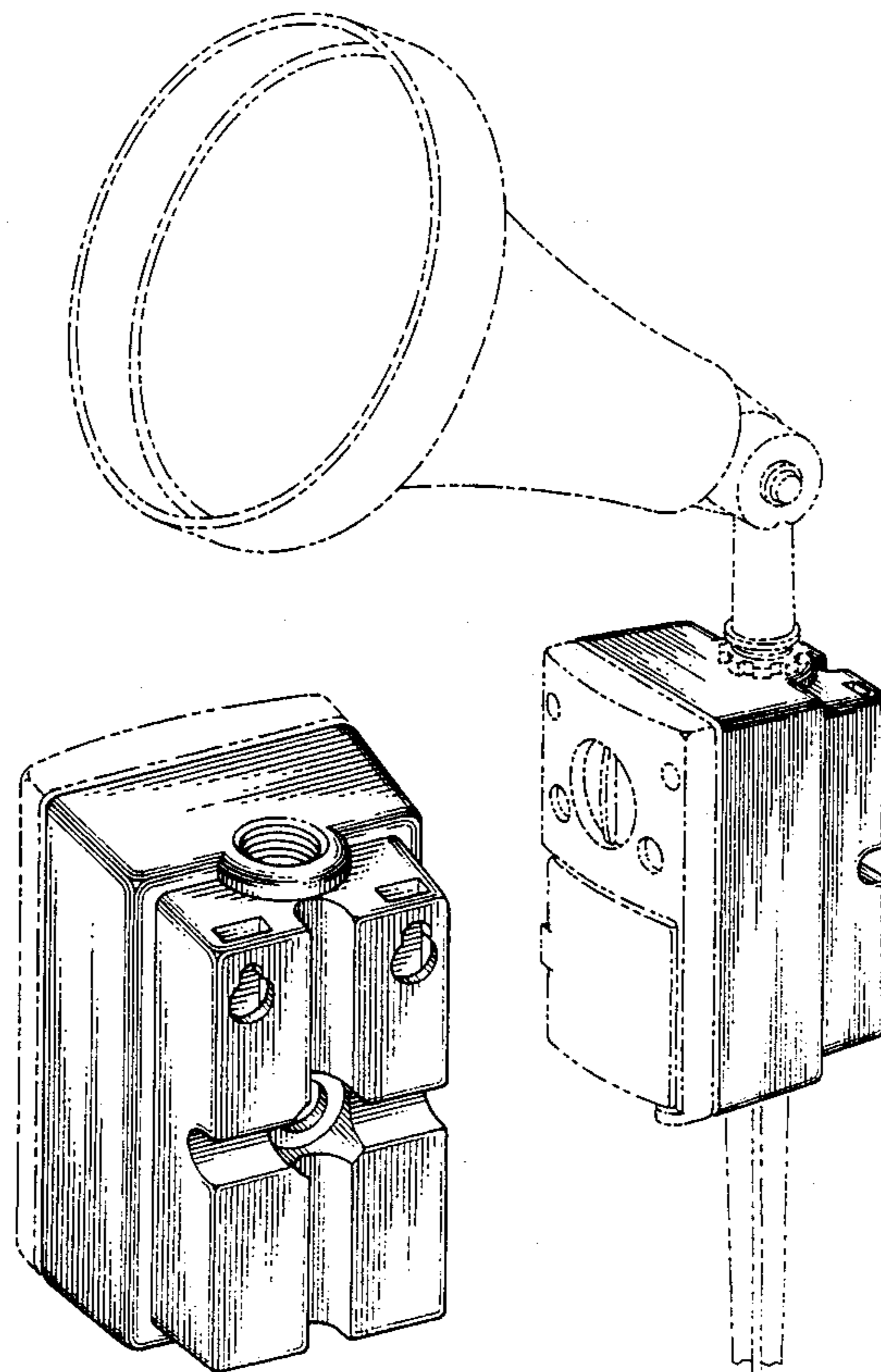
U.S. PATENT DOCUMENTS

D. 261,135	10/1981	Horne	D13/152
D. 277,511	2/1985	Patel	D26/68
D. 308,111	5/1990	Banathy et al.	D26/68
D. 333,529	2/1993	Denison et al.	D26/68
D. 354,738	1/1995	Zimmerman et al.	D13/158 X
2,797,310	6/1957	Moore	362/311
3,104,064	9/1963	Bellek	362/267
3,221,287	11/1965	Rooney	439/501
3,263,069	7/1966	Krucki et al.	D26/63 X
4,223,796	9/1980	Silver	220/3.8
4,845,312	7/1989	Lee	174/65 R
5,239,129	8/1993	Ehrenfels	174/50 X

FOREIGN PATENT DOCUMENTS

525213	1/1954	Belgium	174/50
--------	--------	---------	-------	--------

1 Claim, 3 Drawing Sheets



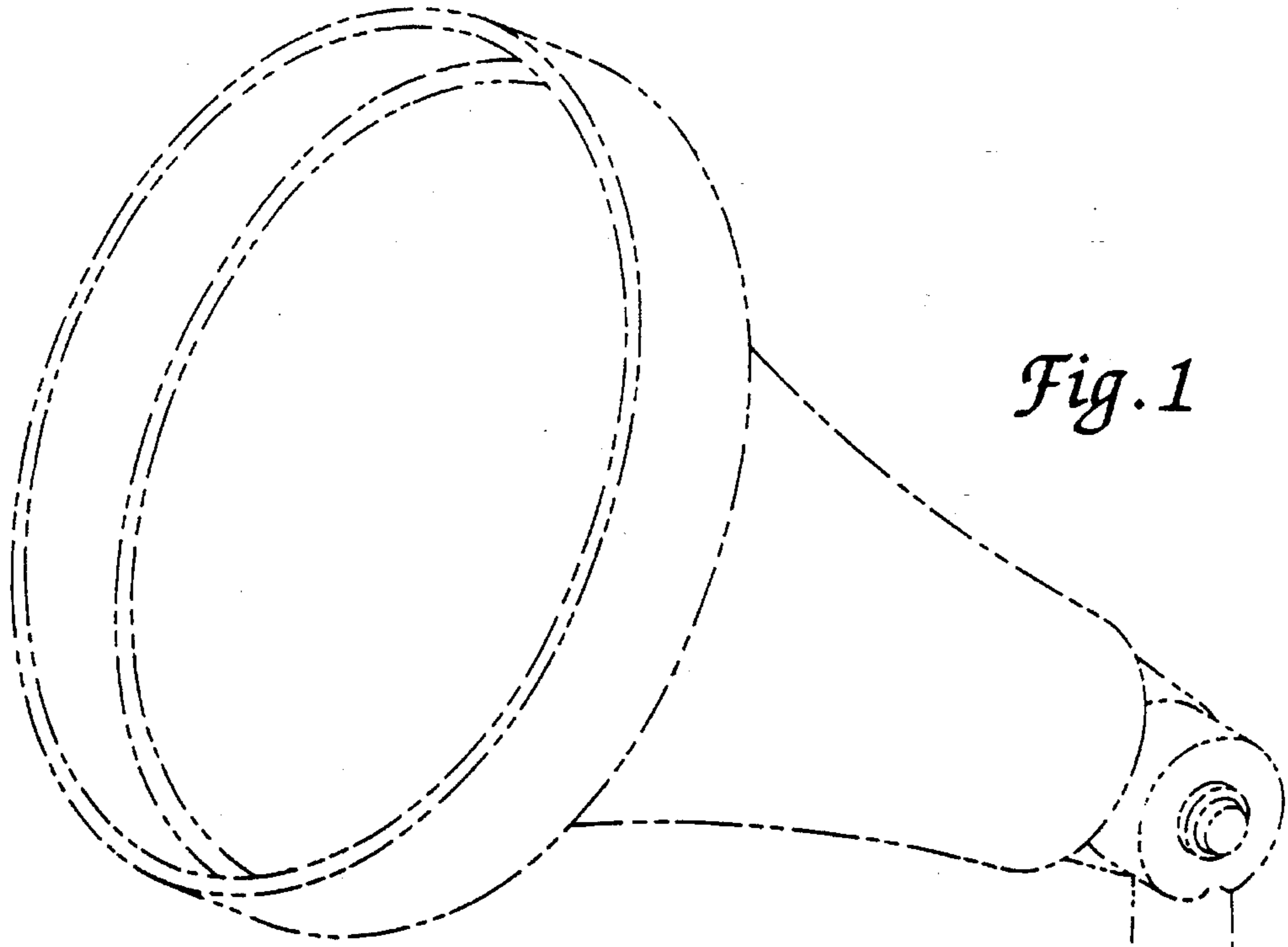


Fig. 1

Fig. 2

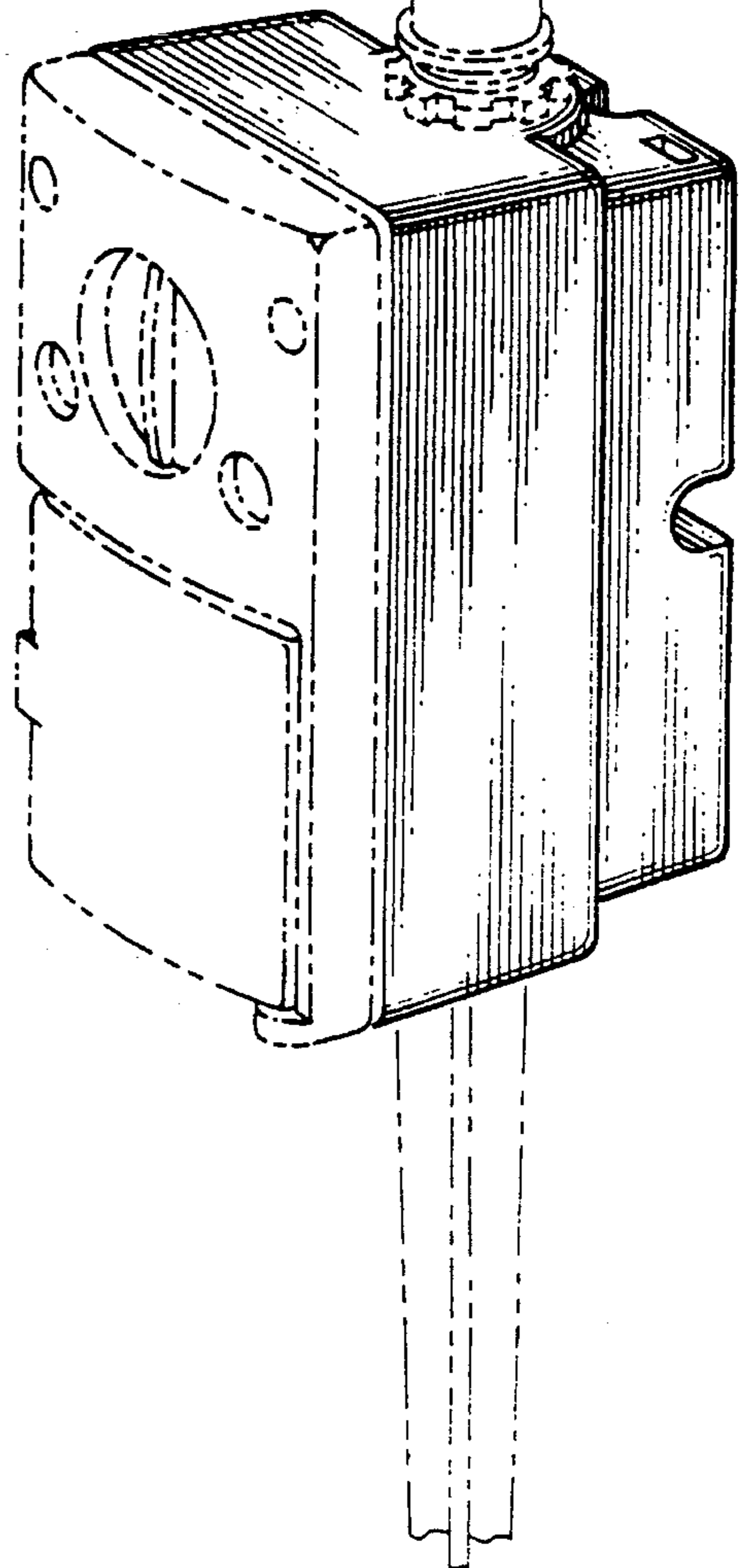
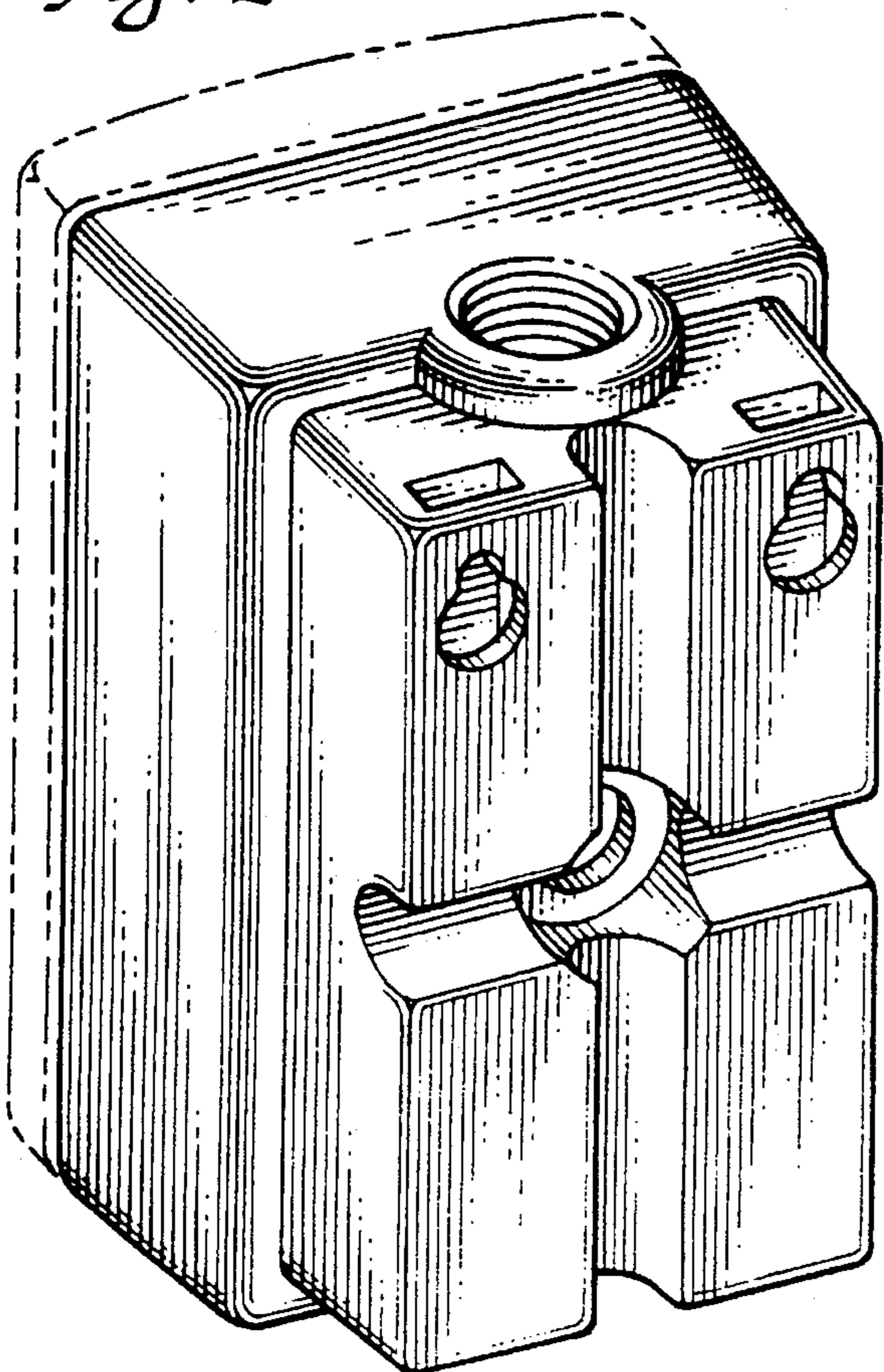


Fig. 3

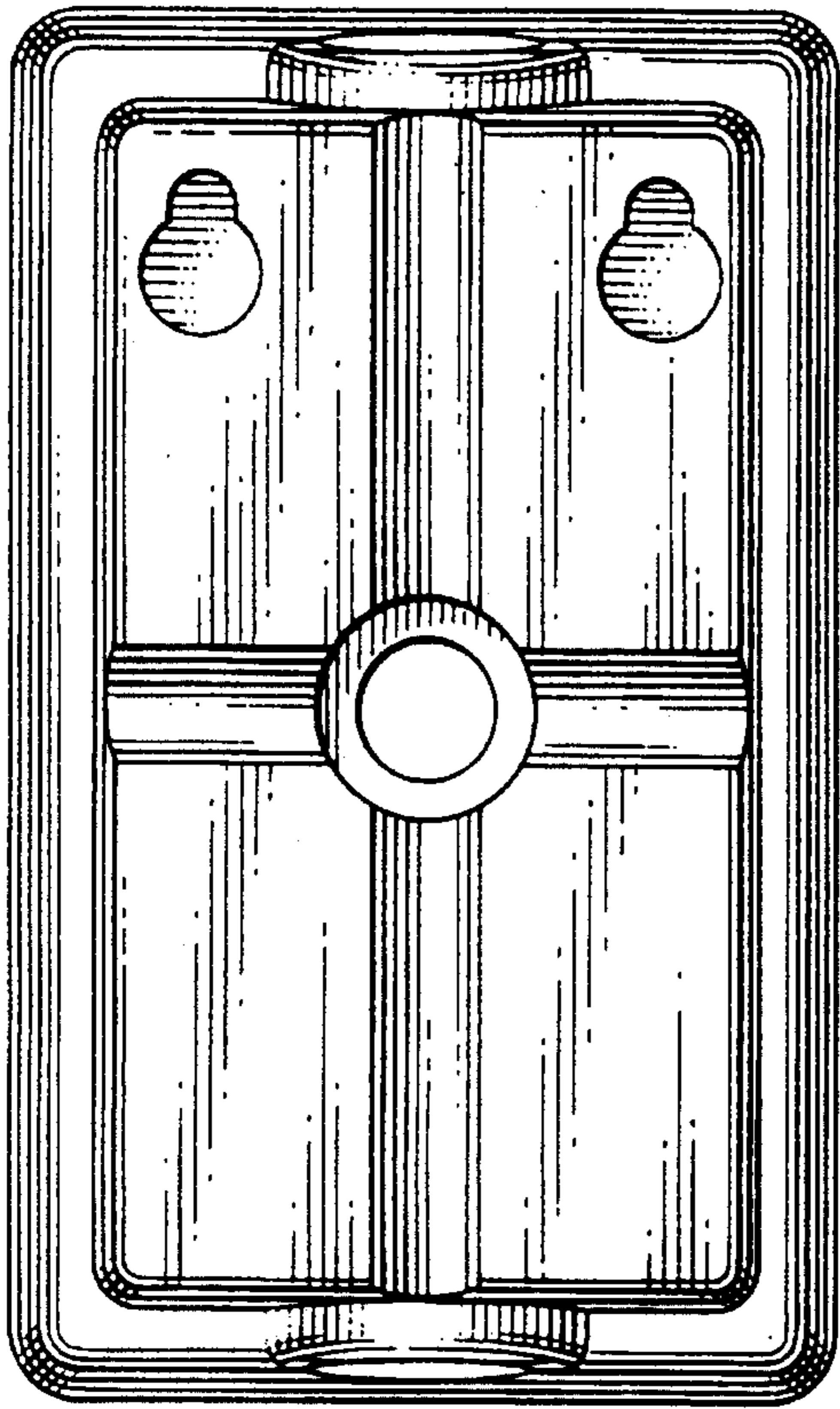


Fig. 4

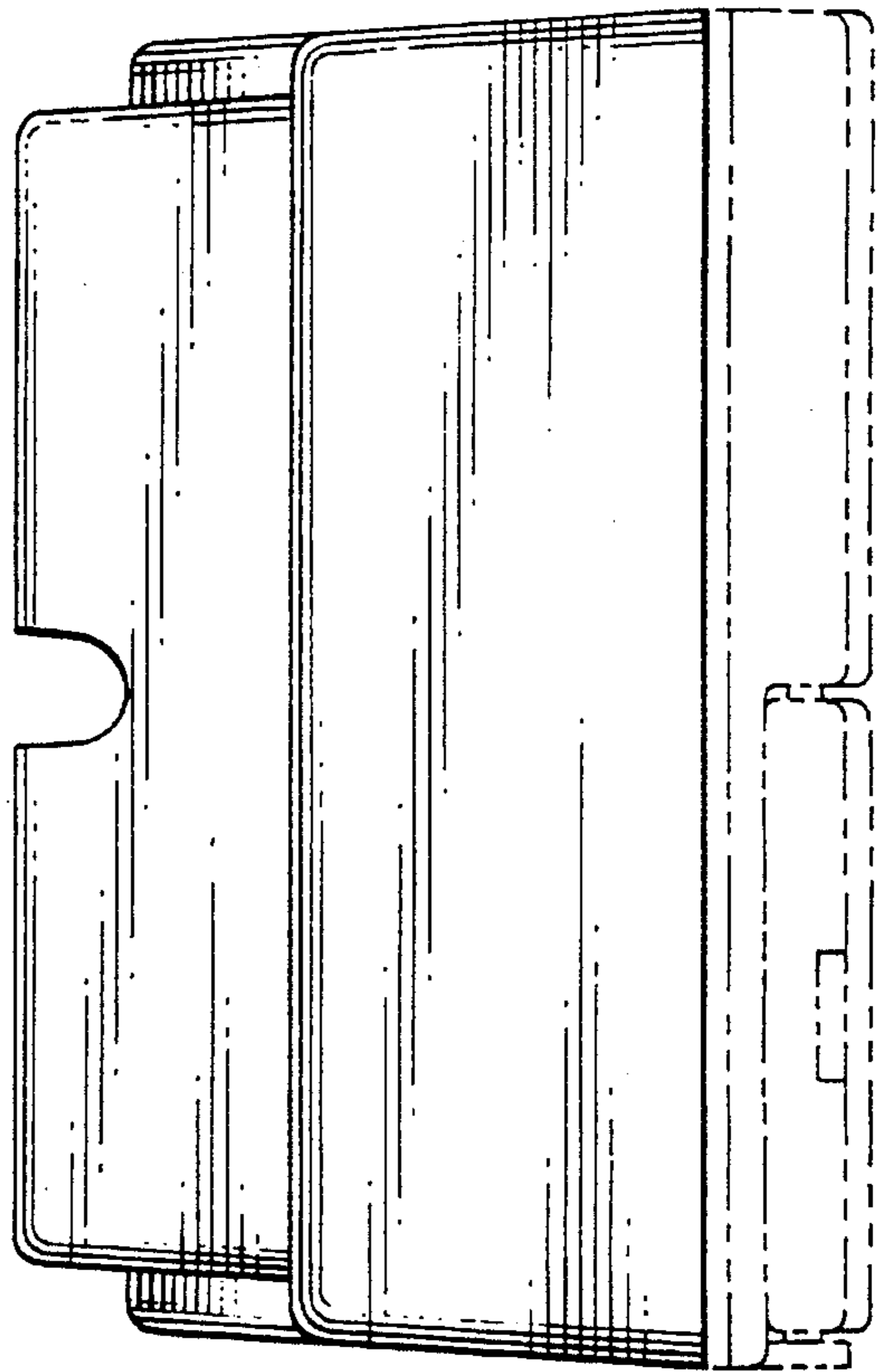


Fig. 5

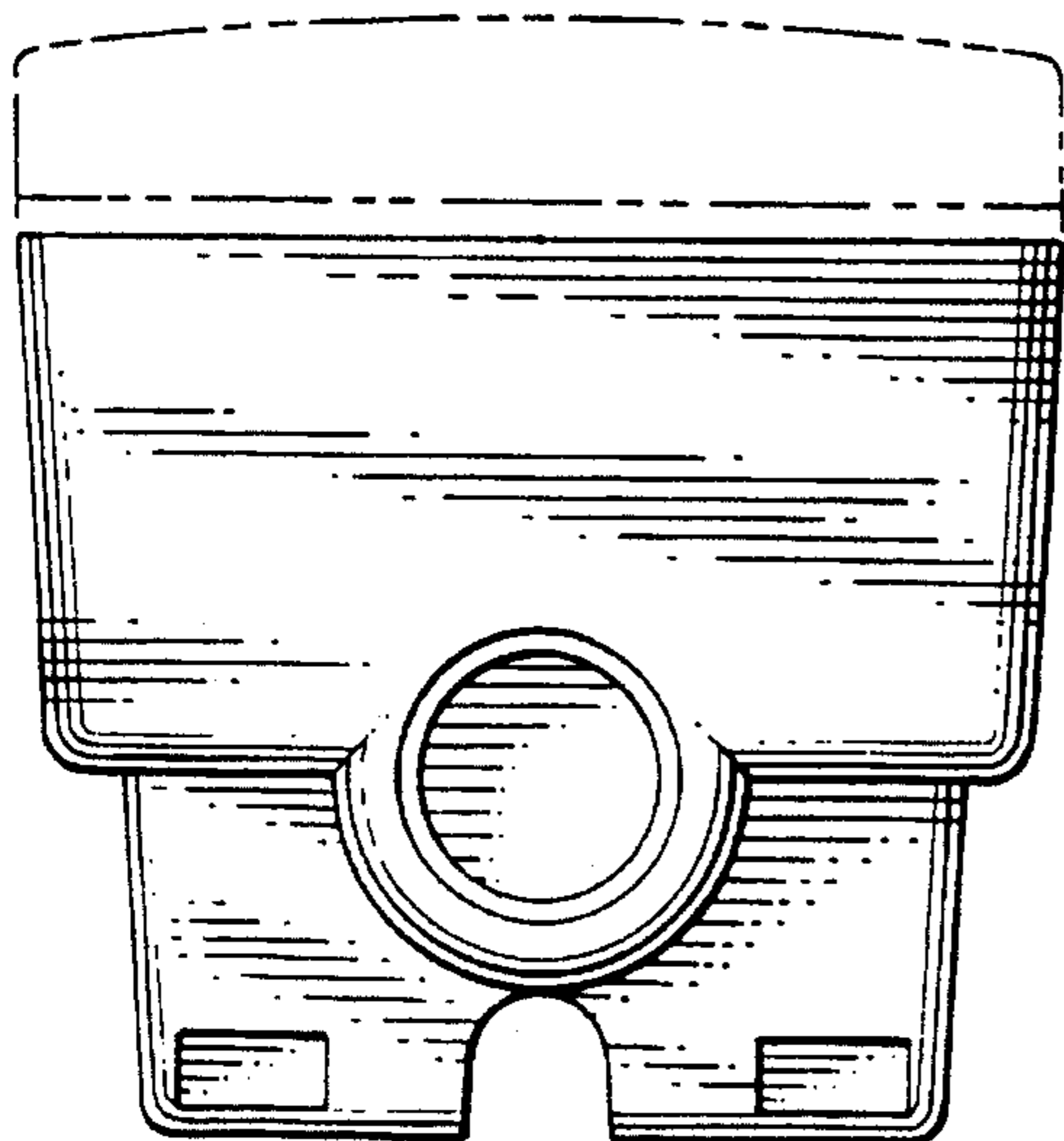


Fig. 6

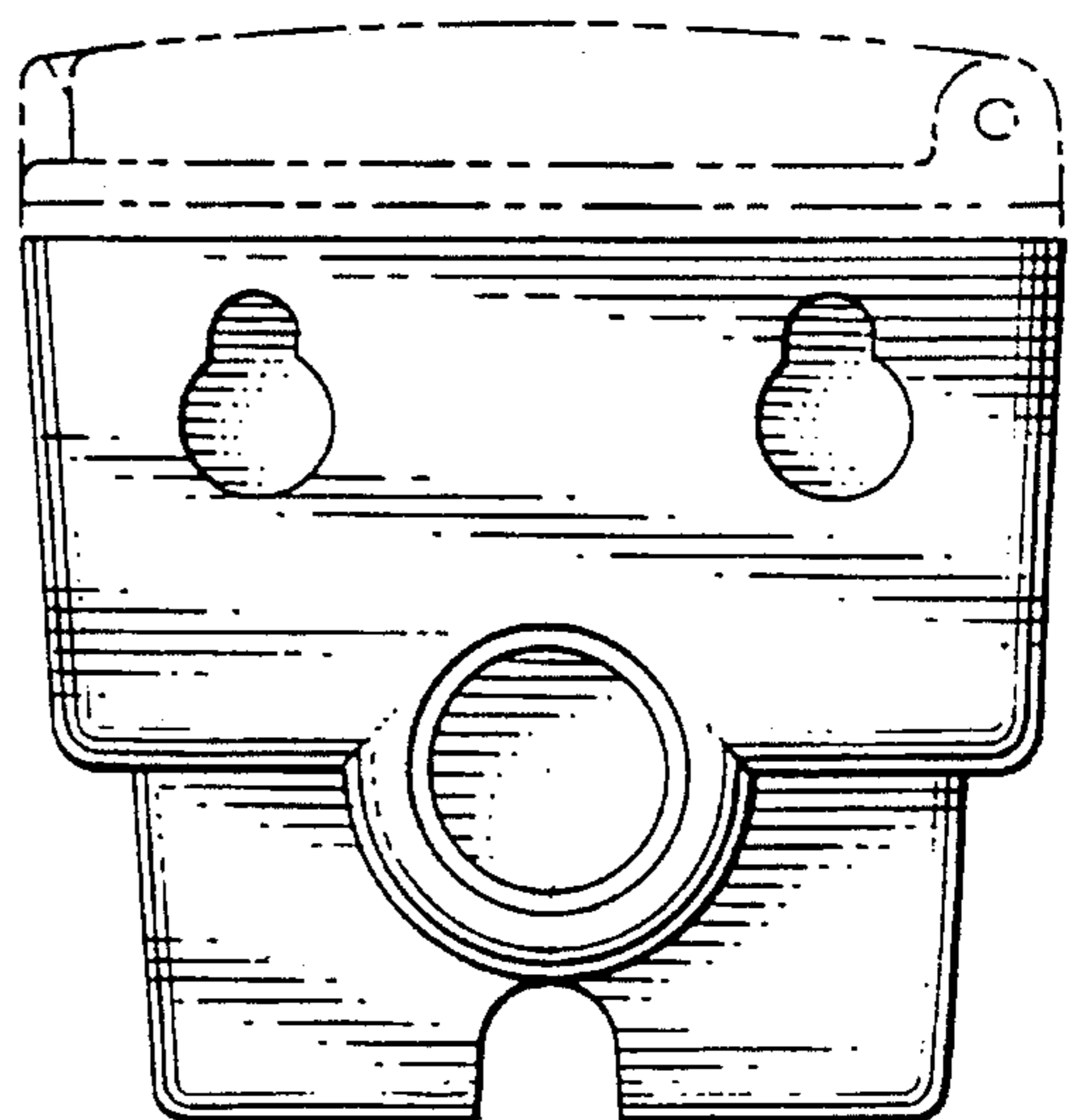


Fig. 7

