



US00D364142S

# United States Patent [19]

[11] Patent Number: **Des. 364,142**

**Metcalf et al.**

[45] Date of Patent: **\*\*Nov. 14, 1995**

[54] **LIGHT SOCKET SWITCH WITH TIMER**

[75] Inventors: **Paul R. Metcalfe**, Bentleyville Village;  
**David J. Kruszewski**, Parma; **Douglas A. Lostoski**, Richfield, all of Ohio

[73] Assignee: **The Lamson & Sessions Co.**,  
Cleveland, Ohio

[\*\*] Term: **14 Years**

3,896,334	7/1975	Rodriquez .....	315/194
4,023,035	5/1977	Rodriquez .....	250/239
4,183,604	1/1980	Tjornhom, Sr. ....	439/300
4,422,018	12/1983	Bailey .....	315/360
4,632,490	12/1986	Von Gunten .....	439/642
4,660,906	4/1987	Haraden .....	439/611 X
4,988,921	1/1991	Ratner et al. ....	315/159
5,121,487	6/1992	Lee .....	439/628 X
5,136,213	8/1992	Sacchetti .....	315/159
5,272,418	12/1993	Howe et al. ....	315/159

[21] Appl. No.: **28,330**

[22] Filed: **Sep. 12, 1994**

[52] U.S. Cl. .... **D13/134; D13/158**

[58] Field of Search ..... **D13/134, 158;**  
**D10/40; 315/159, 360; 439/11, 300, 628;**  
**250/239**

*Primary Examiner*—Joel Sincavage  
*Attorney, Agent, or Firm*—Fay, Sharpe, Beall, Fagan, Minnich & McKee

### [57] CLAIM

The ornamental design for light socket switch with timer, as shown and described.

### DESCRIPTION

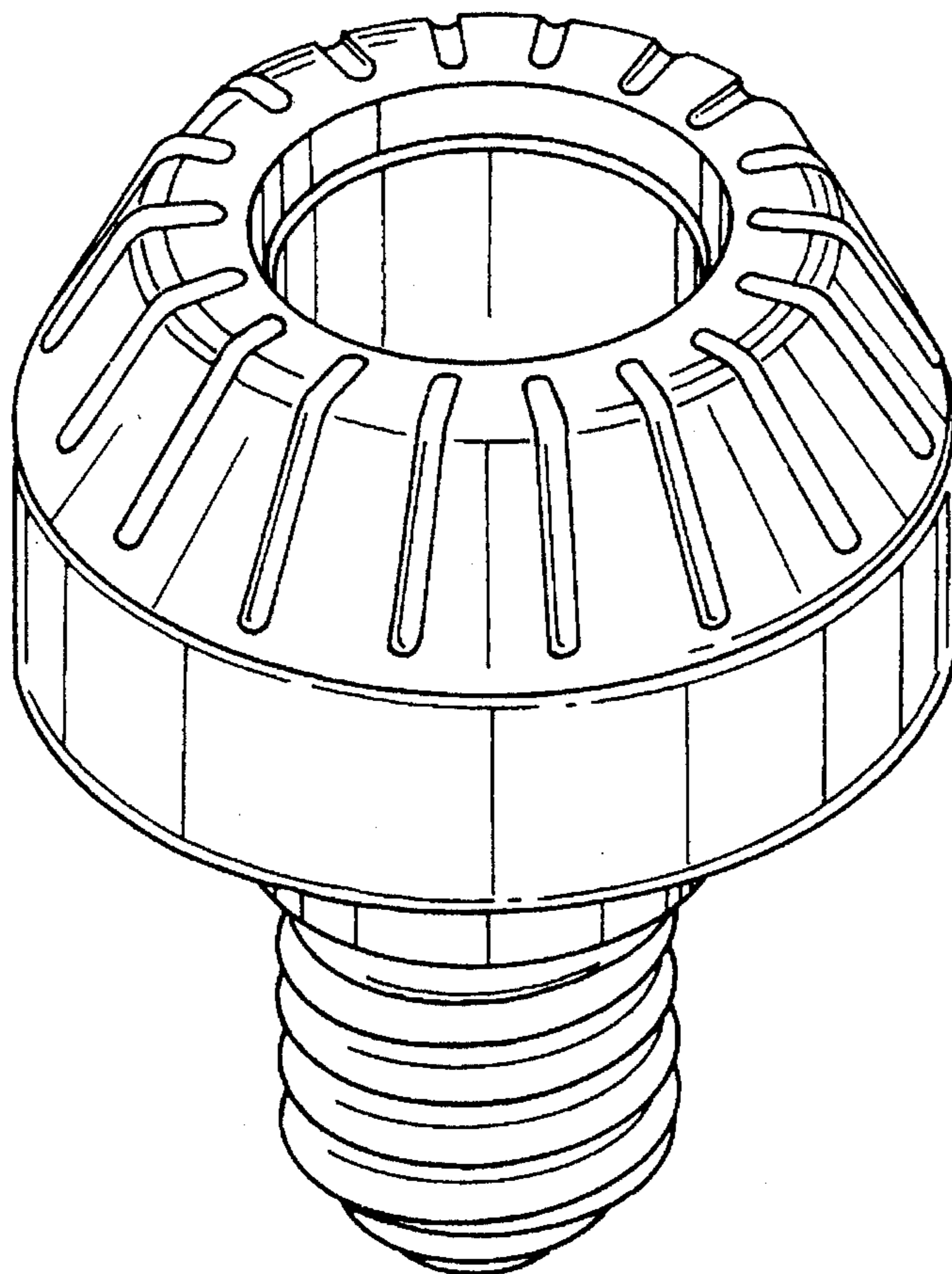
FIG. 1 is a top perspective view of a light socket embodying the subject invention;  
FIG. 2 is a front elevational view thereof;  
FIG. 3 is a top plan view thereof;  
FIG. 4 is a bottom plan view thereof;  
FIG. 5 is an elevational right side view thereof, the left side view being a mirror image of that shown; and,  
FIG. 6 is a rear elevational view thereof.

[56] **References Cited**

**U.S. PATENT DOCUMENTS**

D. 284,652	7/1986	Engel .....	D13/135
D. 290,110	6/1987	Blaisdell et al. ....	D13/135
D. 291,557	8/1987	Engel .....	D13/135
D. 296,549	7/1988	Fenne .....	D13/135
D. 320,380	10/1991	Schwartz .....	D13/136
D. 320,595	10/1991	Fenne .....	D13/134 X
3,163,768	12/1964	Bernheim .....	250/238
3,621,269	11/1971	Misencik .....	250/239 X
3,893,019	7/1975	King et al. ....	323/327

**1 Claim, 2 Drawing Sheets**



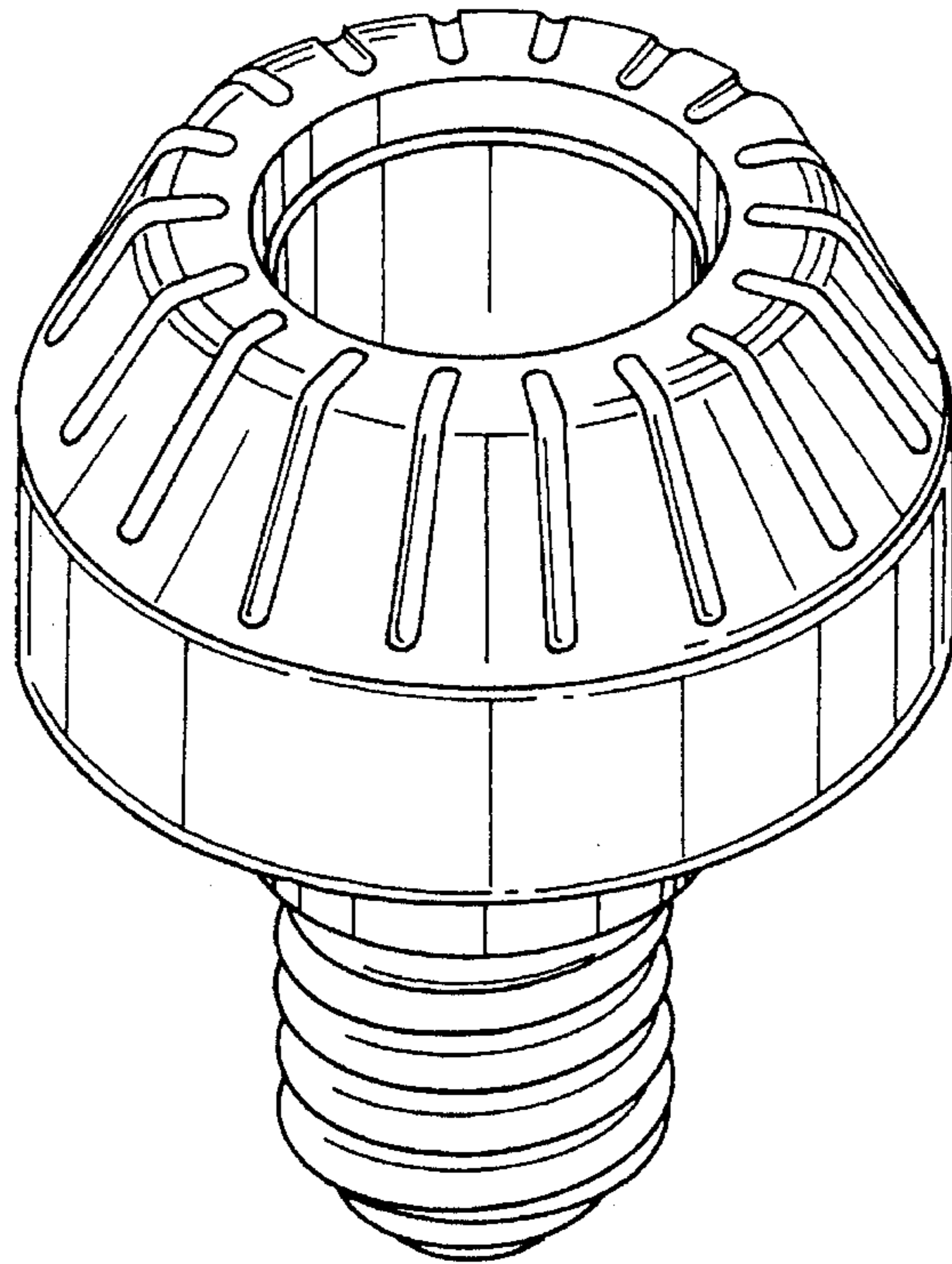


FIG. 1

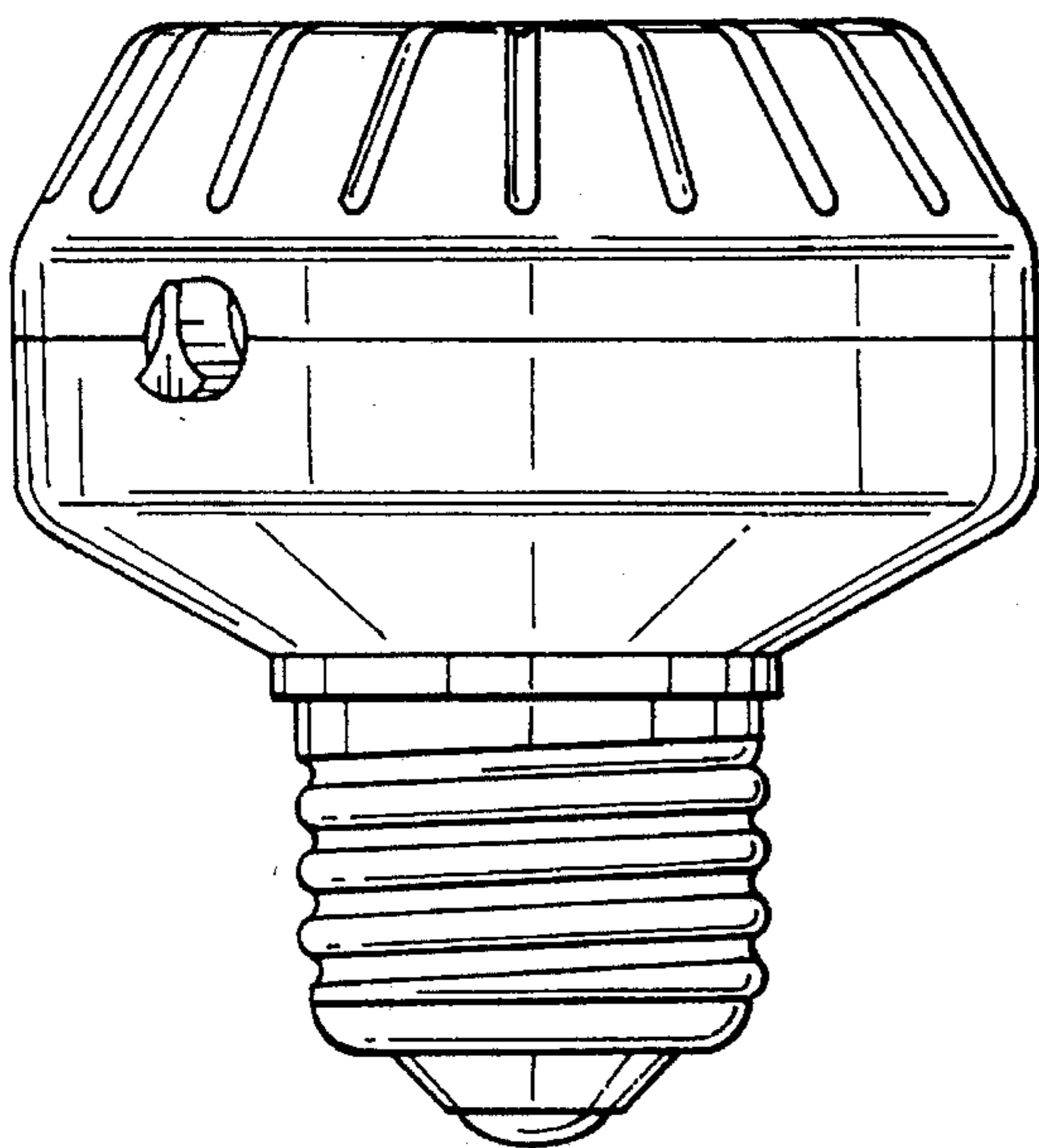


FIG. 5

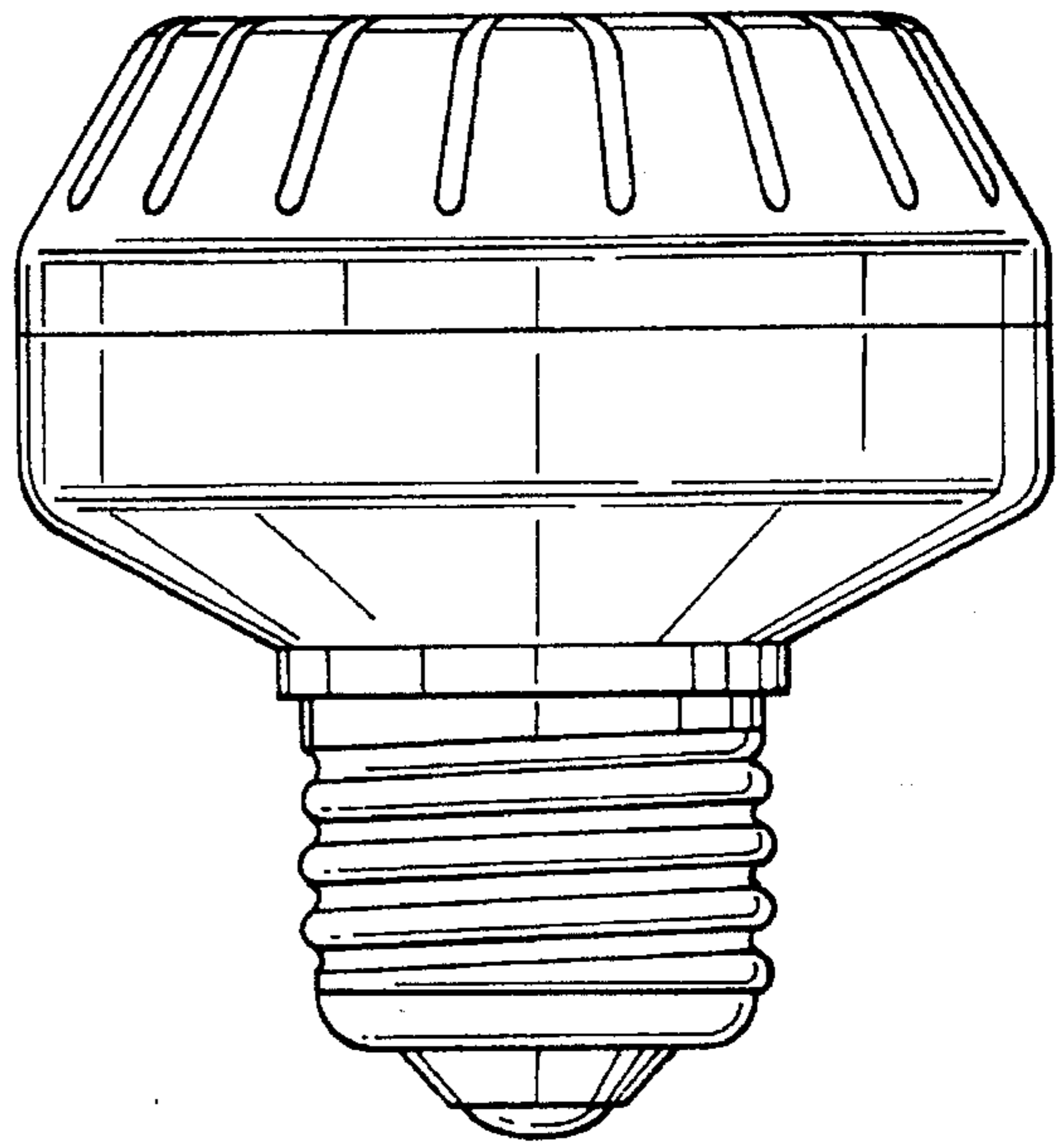


FIG. 6

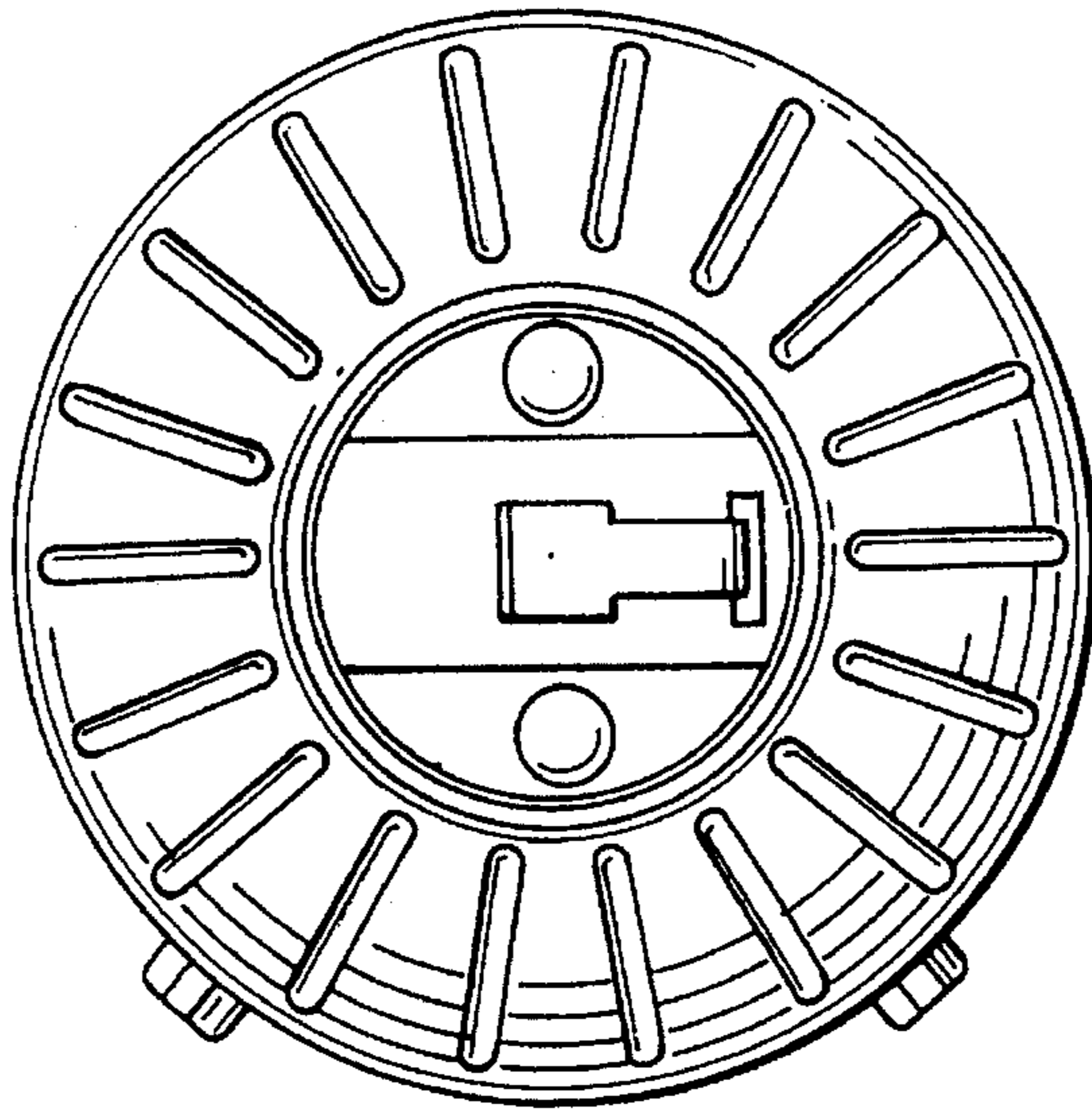


FIG. 3

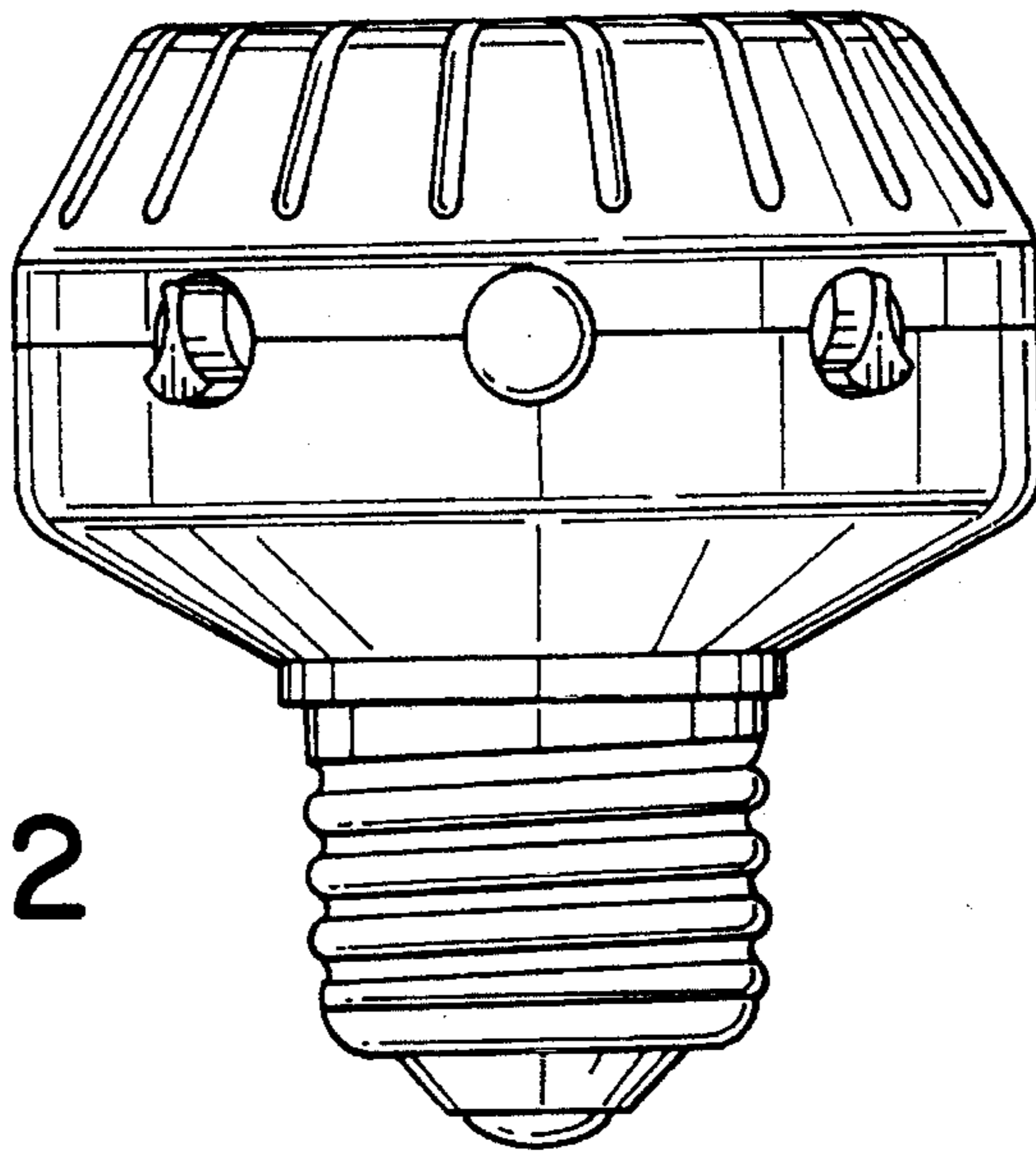


FIG. 2

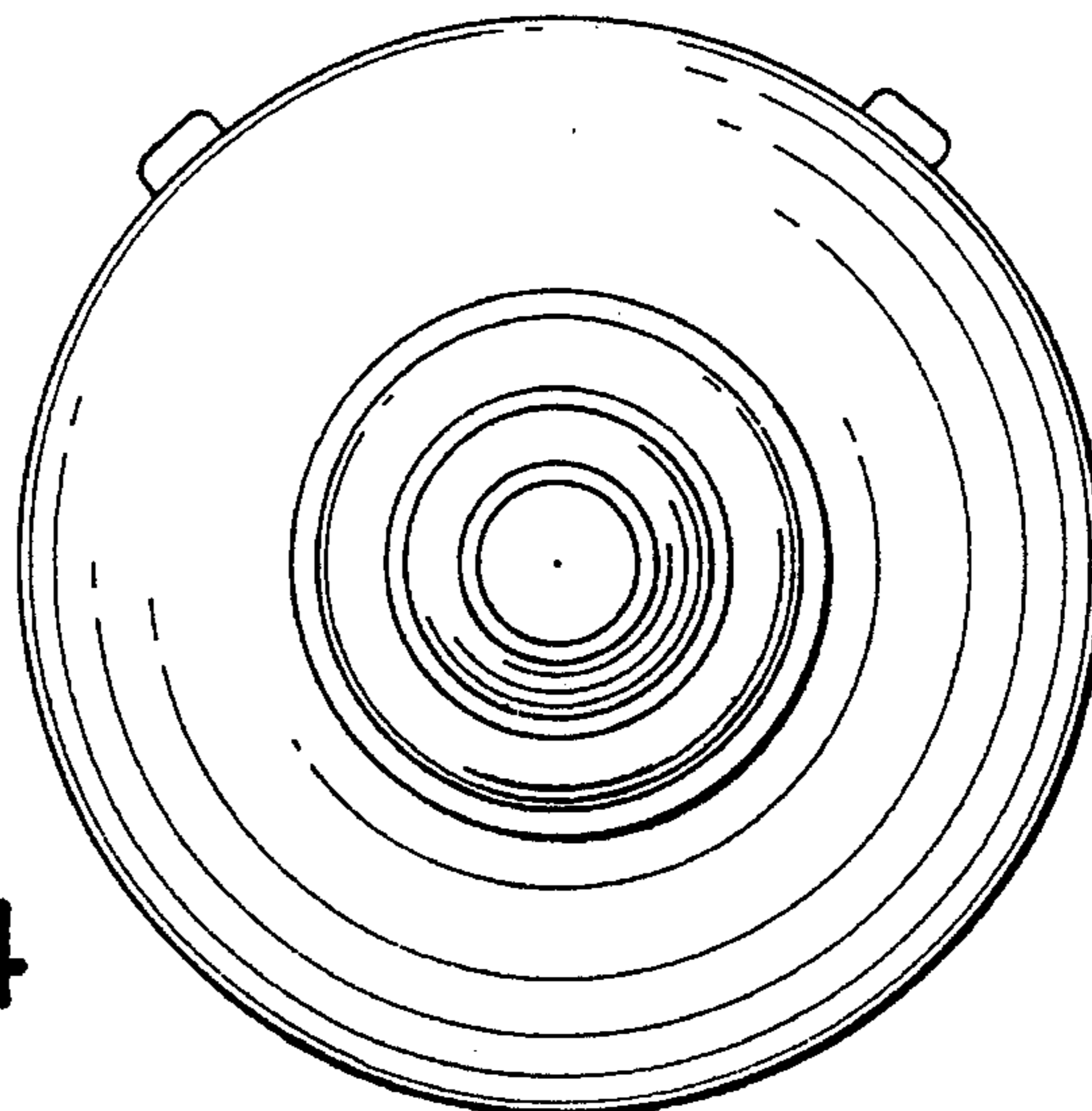


FIG. 4