



US00D364141S

United States Patent [19]

Hanna et al.

[11] Patent Number: Des. 364,141

[45] Date of Patent: **Nov. 14, 1995

[54] COMBINED BEZEL AND ACTUATOR FOR DIMMER SWITCH

4,737,609 4/1988 Yuhasz et al. 174/66 X
4,833,277 5/1989 Jacoby, Jr. et al. 174/66
4,939,383 7/1990 Tucker et al. D13/170 X

[75] Inventors: Robert S. Hanna, Macungie; Noel Mayo, Philadelphia; Joel S. Spira, Coopersburg; James E. Swain, III, Bethlehem, all of Pa.

OTHER PUBLICATIONS

Vareo dimming controls on back cover of *Home Lighting & Accessories* Jan. 1990.

Leviton Decora electronic control switch (top photo) on p. 88 of *Home Lighting & Accessories* Jan. 1990.

[73] Assignee: Lutron Electronics Co., Inc., Coopersburg, Pa.

Primary Examiner—Joel Sincavage
Attorney, Agent, or Firm—Seidel Gonda Lavorgna & Monaco

[**] Term: 14 Years

[21] Appl. No.: 861,494

[57] CLAIM

[22] Filed: Mar. 31, 1992

The ornamental design for a combined bezel and actuator for dimmer switch, as shown and described.

[52] U.S. Cl. D13/125; D13/170; D8/353

[58] Field of Search D13/158, 168, D13/169, 170; D8/353; 220/3.8, 241; 338/197; 200/1 R, 293.1, 308, 310, 317, 339, 547, 553; 174/66

DESCRIPTION

FIG. 1 is a perspective view of combined bezel and actuator for dimmer switch in accordance with the invention. The broken line showing is included for the purpose of illustrating environmental elements only and forms no part of the claimed design;

[56] References Cited

U.S. PATENT DOCUMENTS

D. 191,047 8/1961 Baxendell D13/169 X
D. 204,941 5/1966 Ramsing et al. D8/353 X
D. 254,849 4/1980 Matsuda D13/169 X
D. 313,168 12/1990 Pearlman et al. D8/353 X
D. 315,145 3/1991 Pearlman et al. D8/353 X
D. 316,847 5/1991 Rowen et al. D13/168
4,669,804 6/1987 Munroe D13/169 X

FIG. 2 is a front elevational view of FIG. 1;

FIG. 3 is a top plan view of FIG. 1;

FIG. 4 is a left side elevational view of FIG. 1;

FIG. 5 is a right side elevational view of FIG. 1; and,

FIG. 6 is a bottom plan view of FIG. 1.

1 Claim, 2 Drawing Sheets

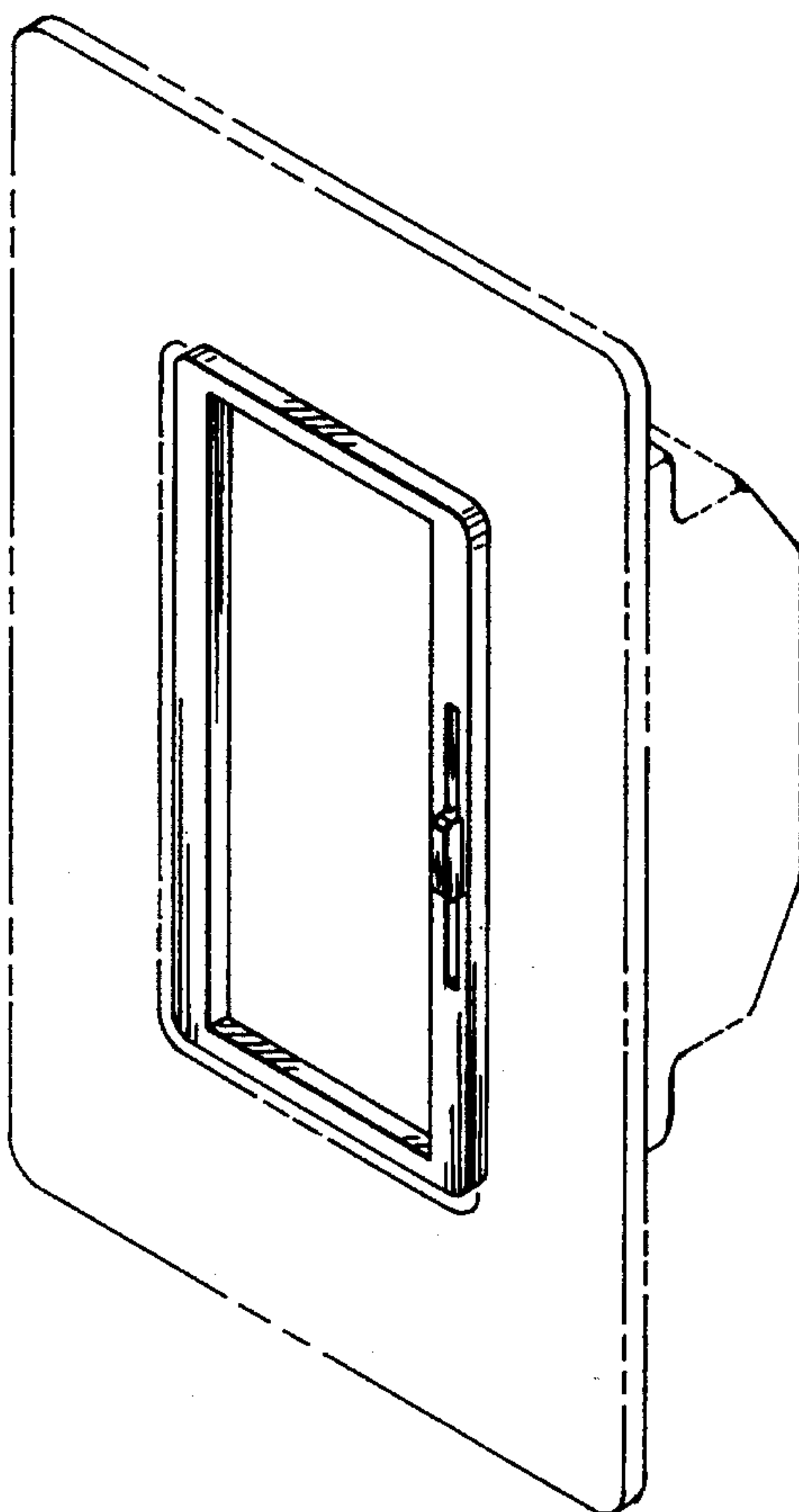


FIG. 1

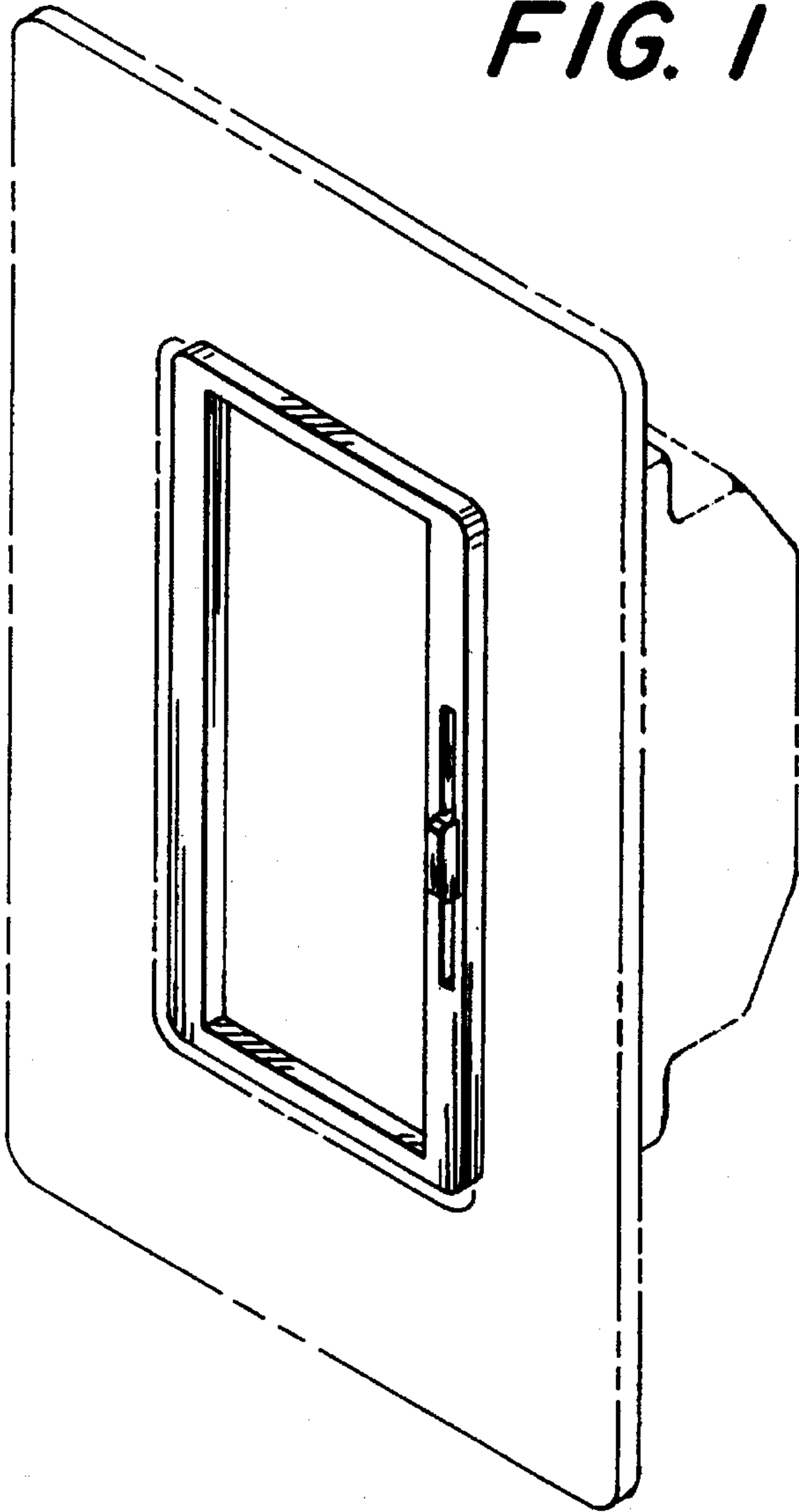


FIG. 2

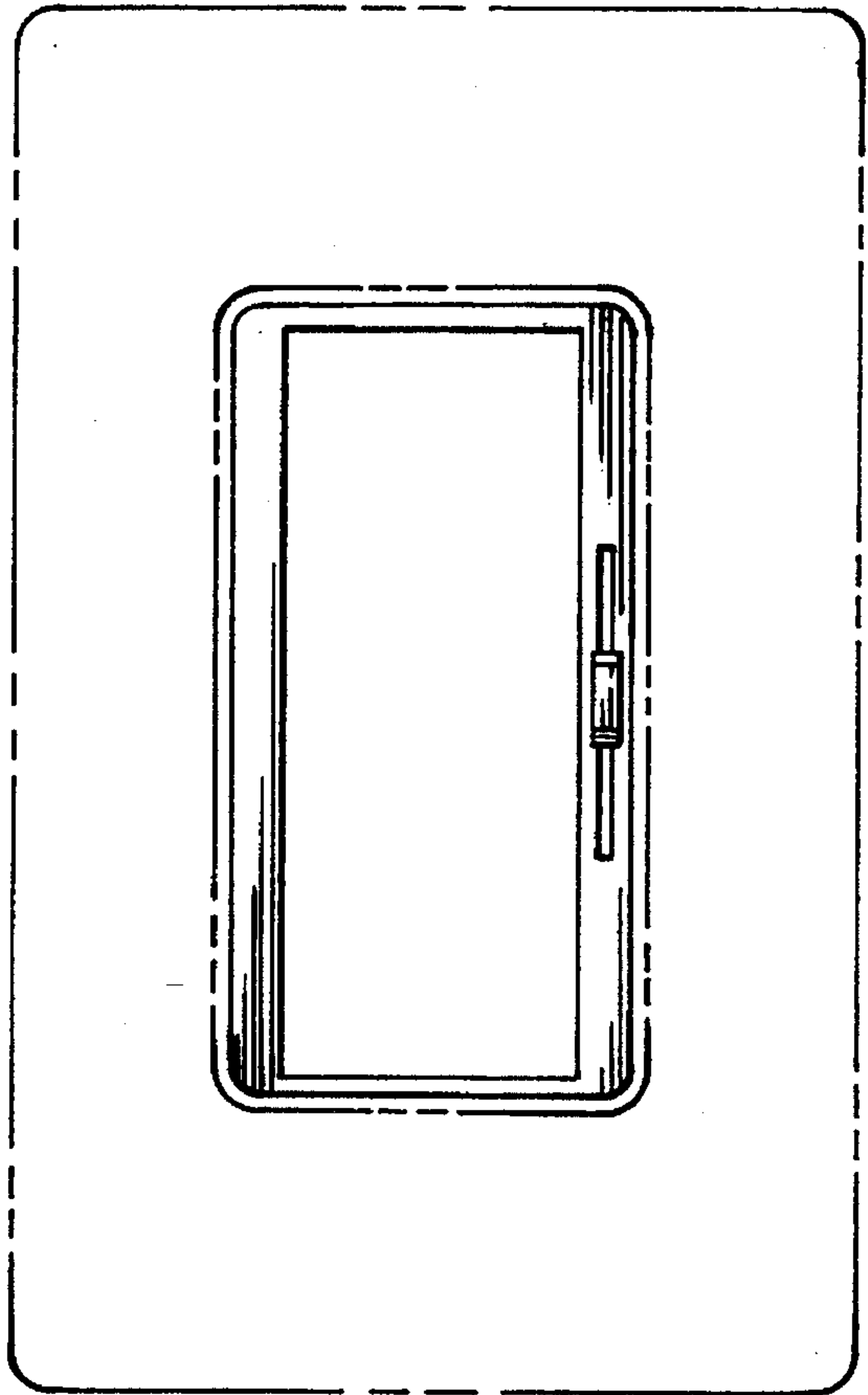


FIG. 3

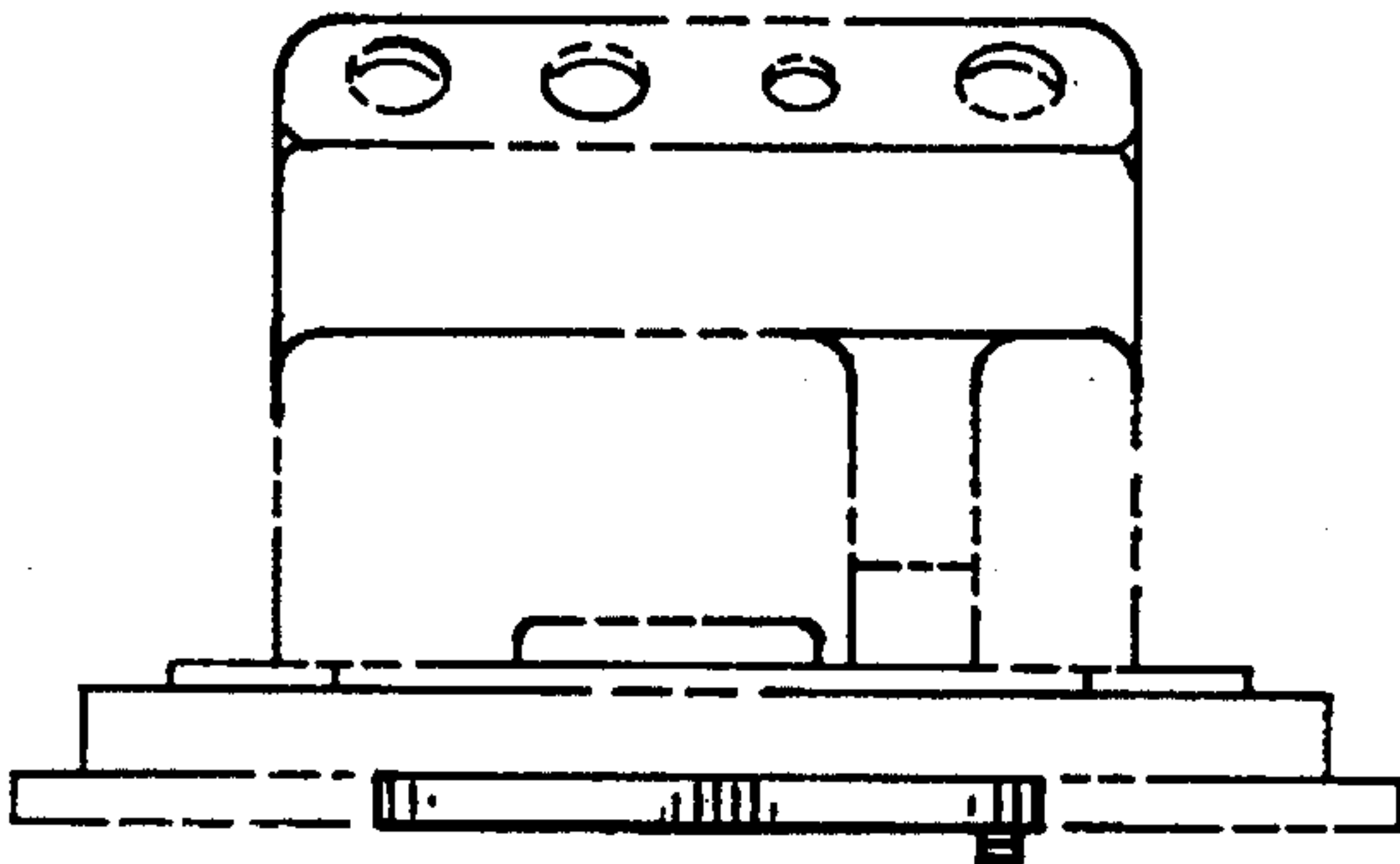


FIG. 4

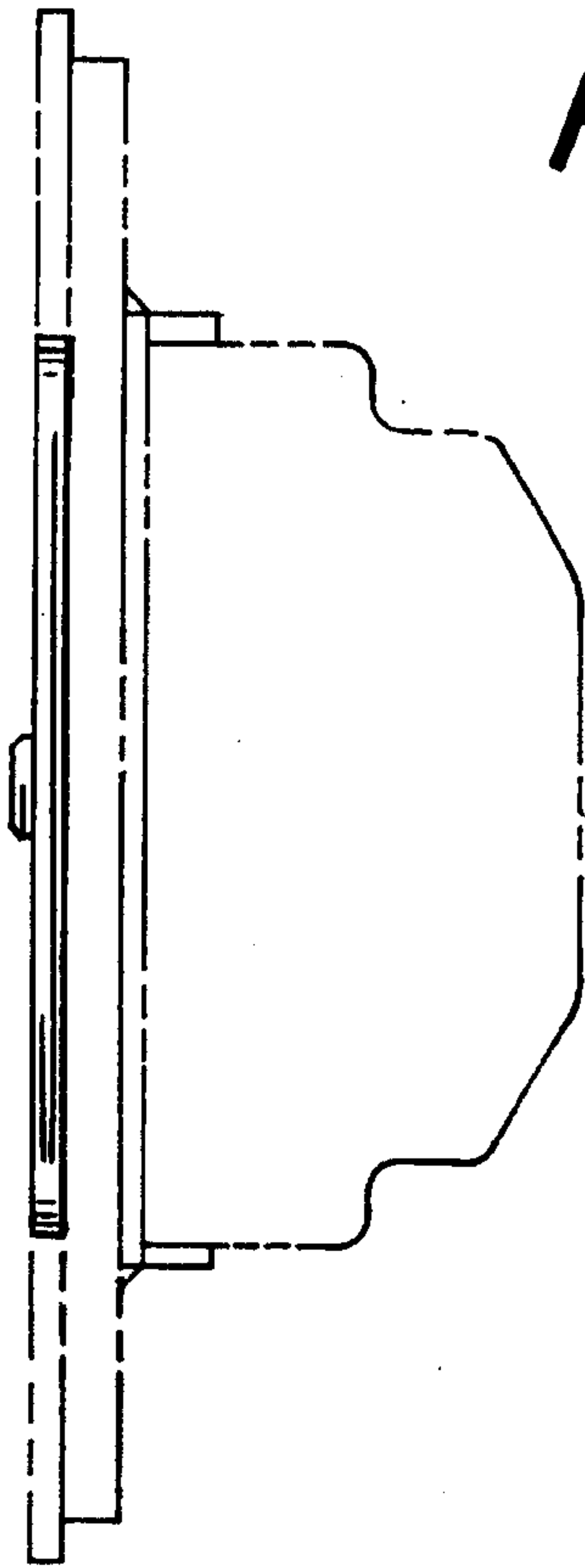


FIG. 5

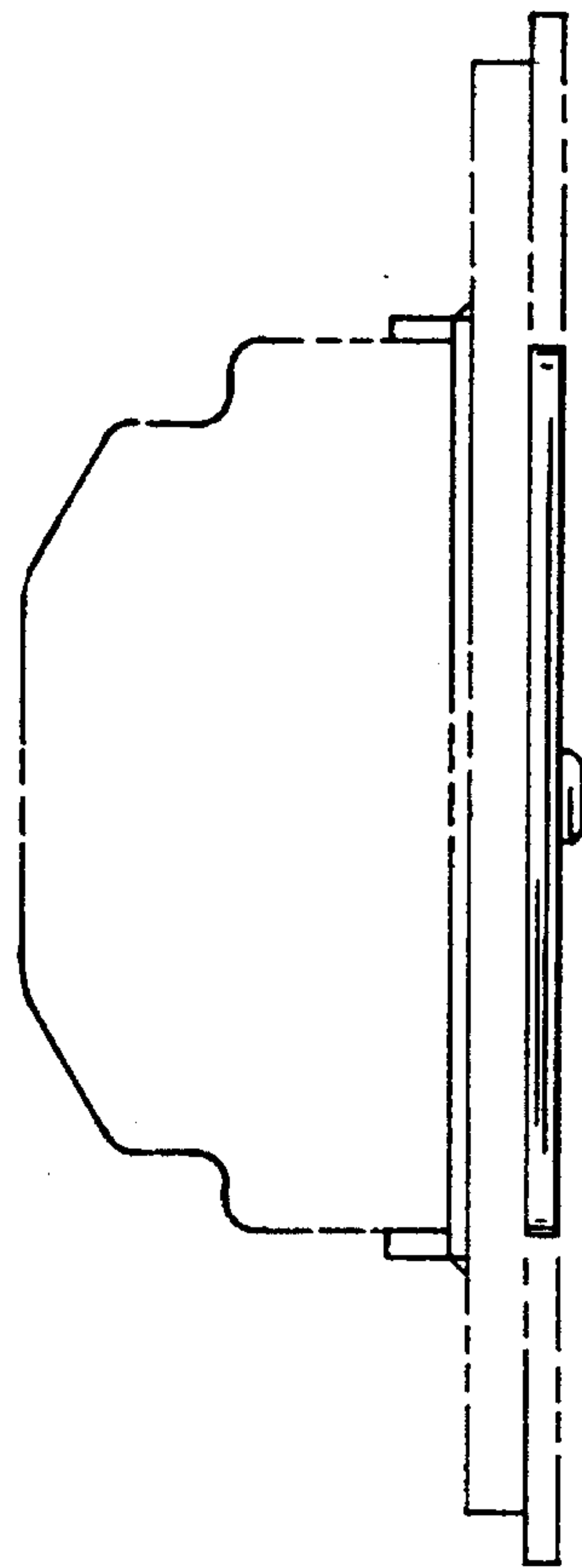


FIG. 6

