



US00D364132S

United States Patent [19]

[11] Patent Number: **Des. 364,132**

Badon et al.

[45] Date of Patent: ****Nov. 14, 1995**

[54] **BEACH LOUNGE CHAIR**

4,575,113 3/1986 Boudreau .
5,076,599 12/1991 Lockett .
5,112,069 5/1992 Aldus et al. .

[76] Inventors: **Aaron J. Badon; Dana L. Ashley**, both of 1835 Newton St., New Orleans, La. 70114

Primary Examiner—Kay H. Chin
Attorney, Agent, or Firm—Terry M. Gernstein

[**] Term: **14 Years**

[57] **CLAIM**

[21] Appl. No.: **29,810**

The ornamental design for a beach lounge chair, as shown and described.

[22] Filed: **Oct. 3, 1994**

[52] U.S. Cl. **D12/129; D12/128**

DESCRIPTION

[58] **Field of Search** D12/128, 129;
D21/78, 76, 74, 136, 137; 280/47, 38, 650;
D6/361

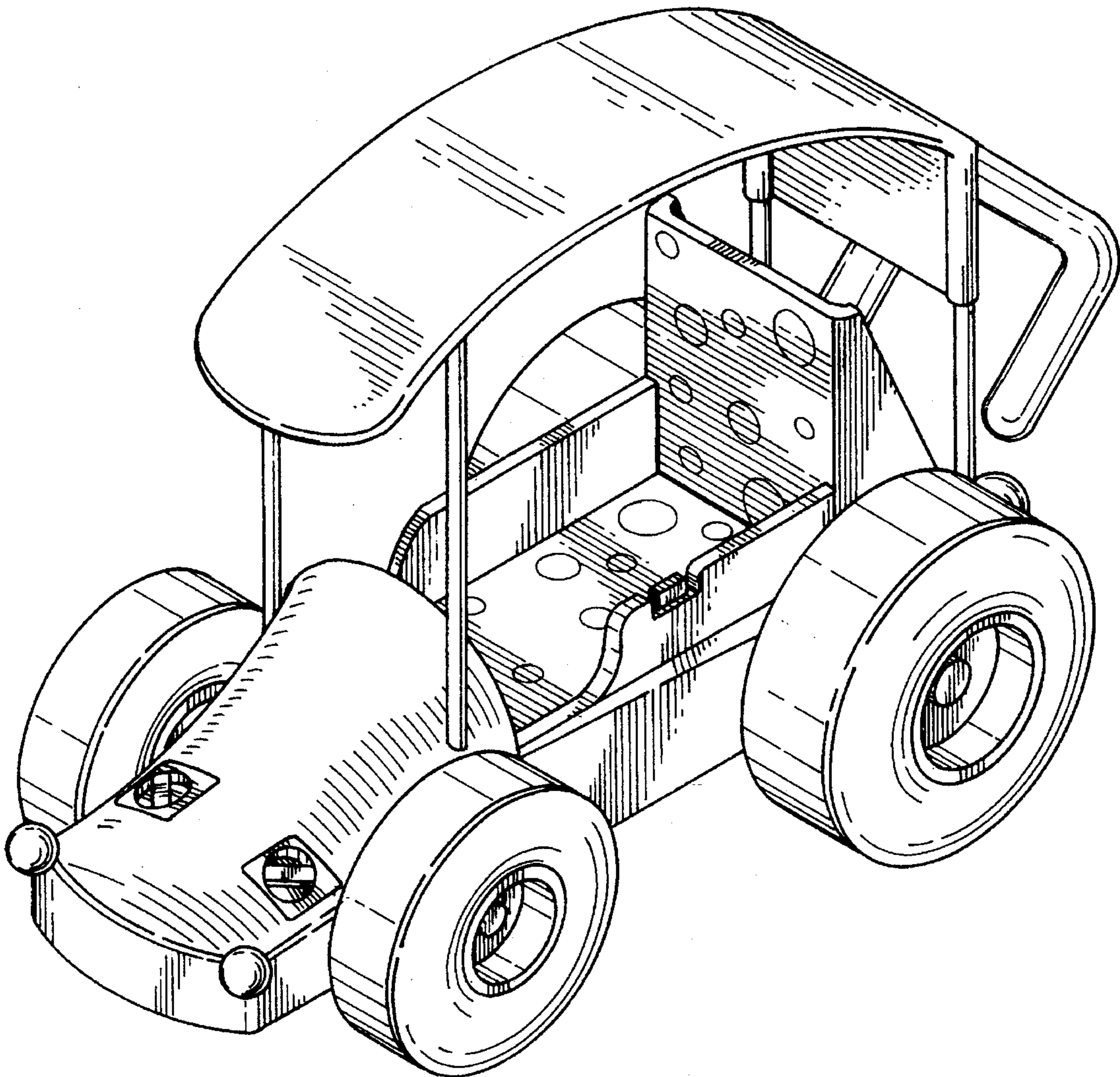
FIG. 1 is a front, top and side perspective view of the beach lounge chair showing our new design;
FIG. 2 is a front elevational view thereof;
FIG. 3 is a rear elevational view thereof;
FIG. 4 is a side elevational view thereof, the side opposite being a mirror image of the side shown in FIG. 4;
FIG. 5 is a top plan view thereof; and,
FIG. 6 is a bottom plan view thereof.

[56] **References Cited**

U.S. PATENT DOCUMENTS

D. 150,255	7/1948	Reinhold	D12/129
D. 155,025	8/1949	Nanna	D12/129
D. 157,737	3/1950	Chance	D12/129
D. 305,011	12/1989	Pipon	D12/129
D. 332,592	1/1993	O'Dea et al.	D12/129

1 Claim, 4 Drawing Sheets



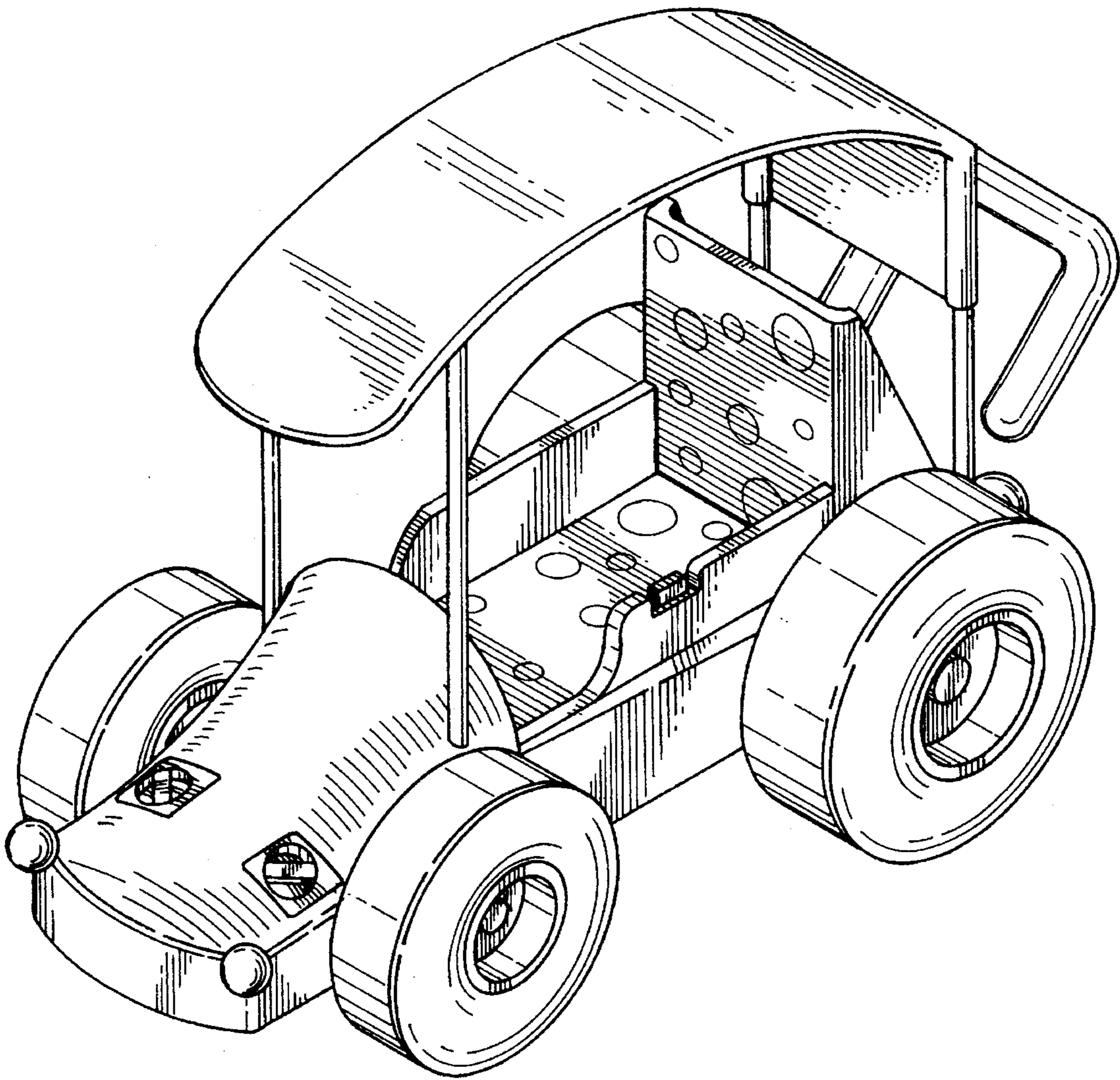


FIG. 1

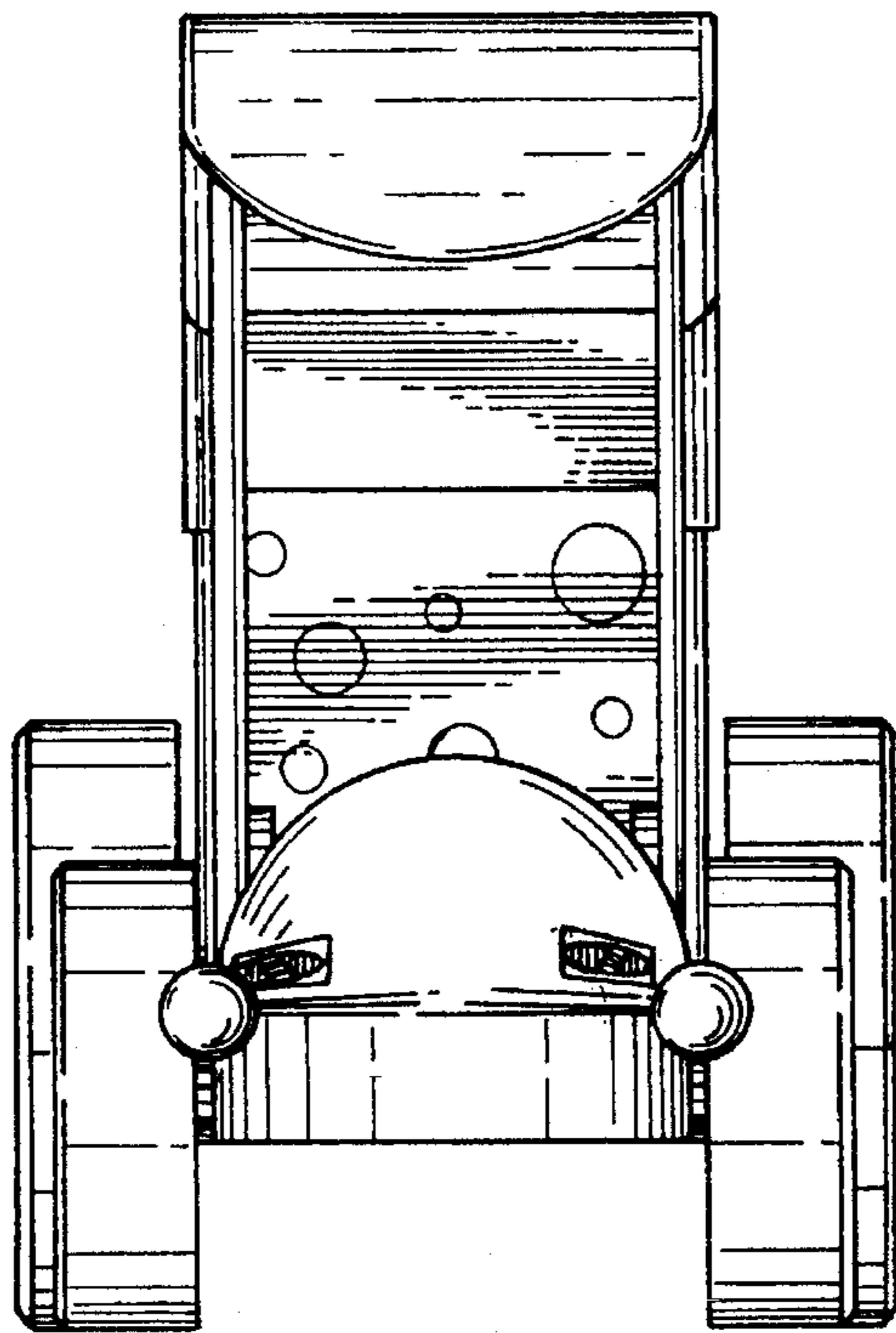


FIG 2

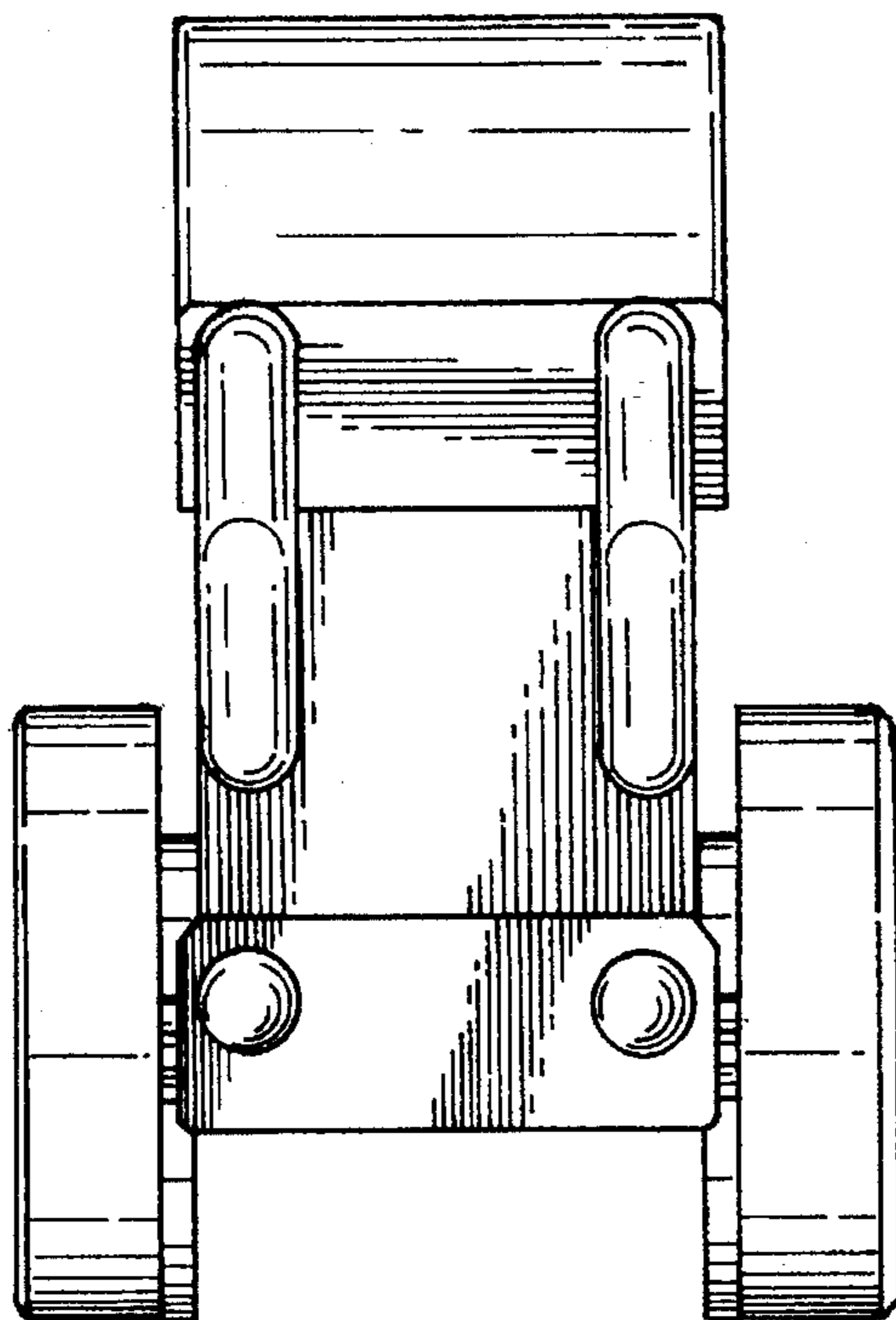


FIG 3

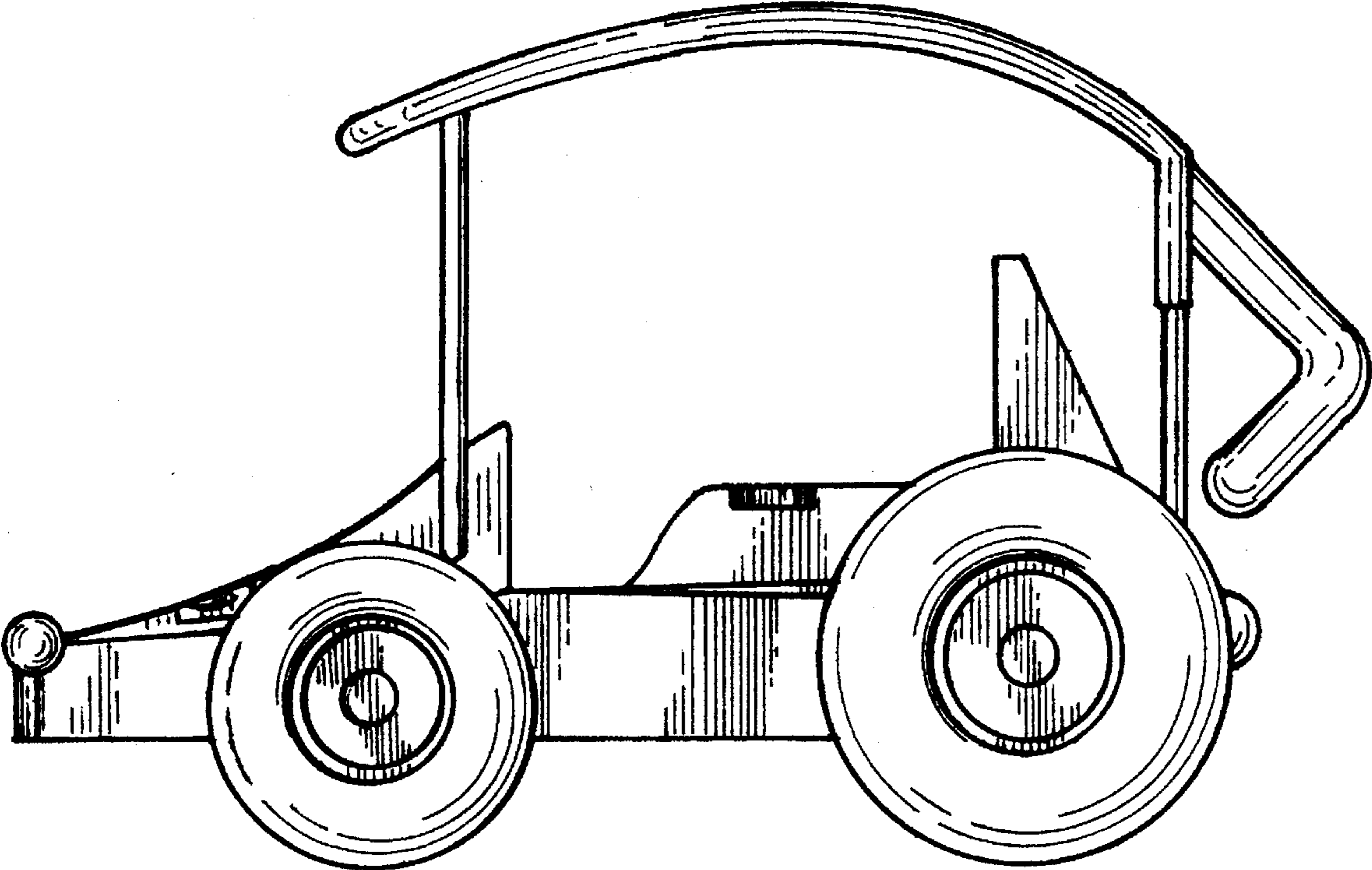


FIG. 4

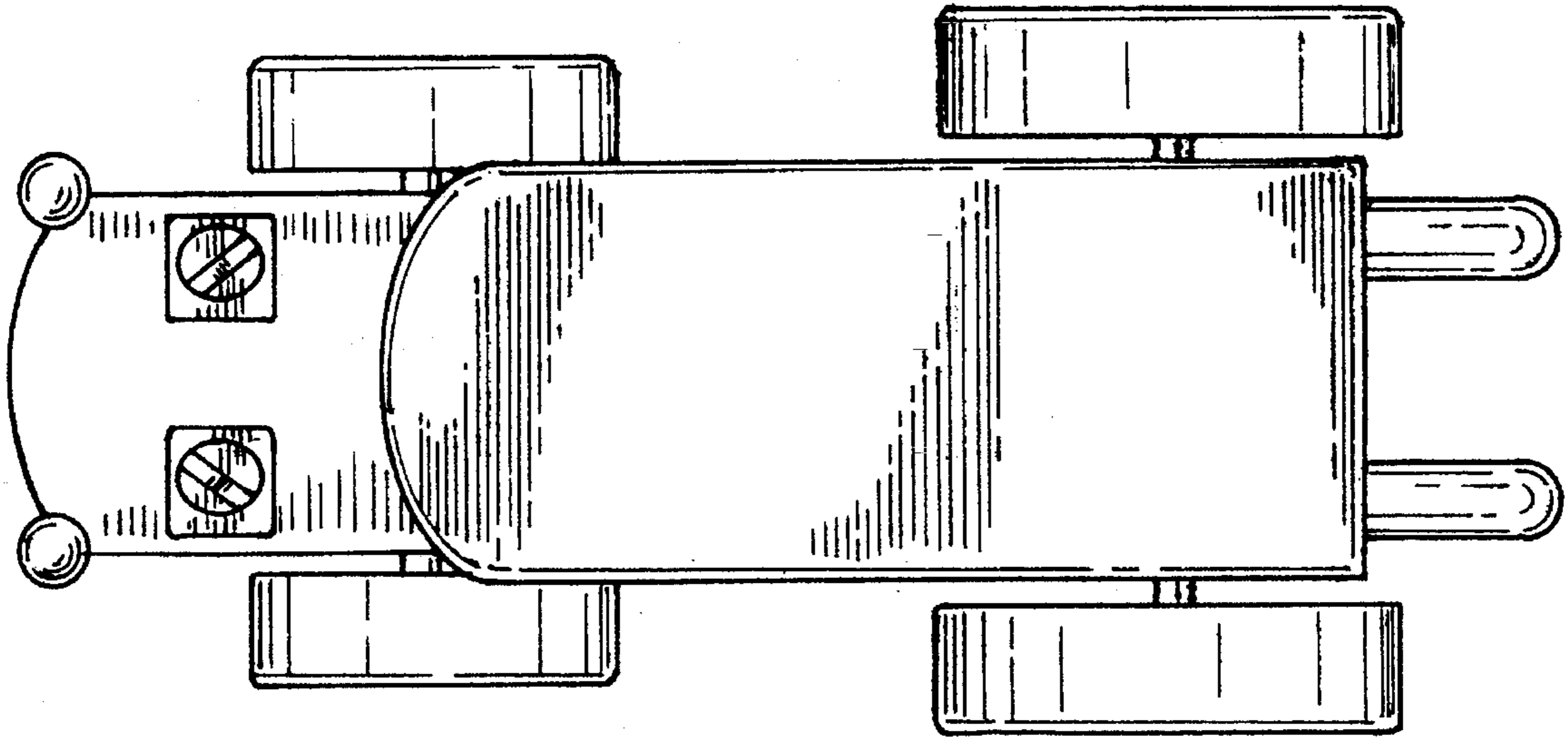


FIG. 5

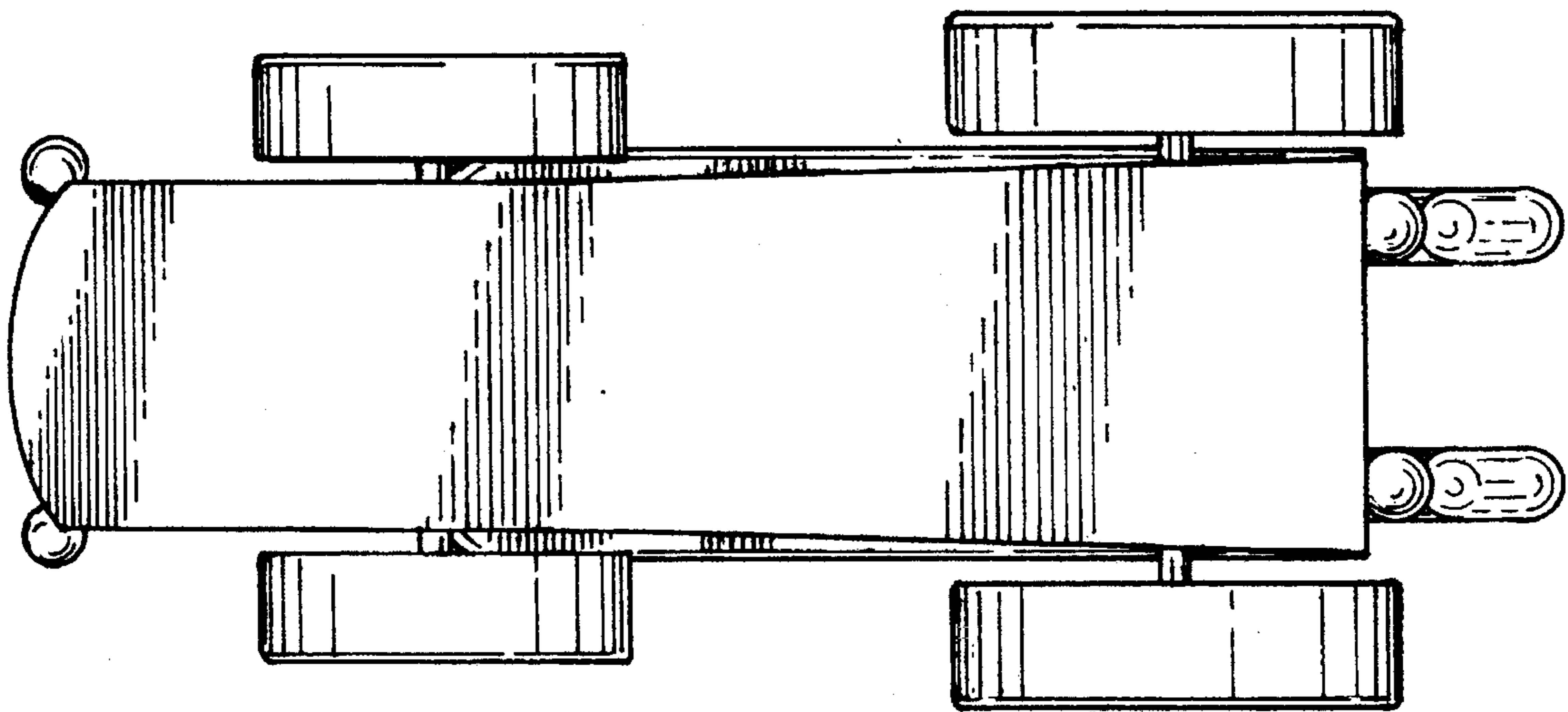


FIG. 6