



US00D364131S

United States Patent [19]

[11] Patent Number: **Des. 364,131**

Eichhorn et al.

[45] Date of Patent: ****Nov. 14, 1995**

[54] **STROLLER**

Talbot; Jennifer M. Hall

[75] Inventors: **Anthony E. Eichhorn**, East Amherst;
Kenneth P. Morton, East Aurora, both
of N.Y.

[57] **CLAIM**

The ornamental design for a stroller, as shown and described.

[73] Assignee: **Fisher-Price, Inc.**, East Aurora, N.Y.

DESCRIPTION

[**] Term: **14 Years**

FIG. 1 is a front perspective view of a stroller showing our new design, the broken lines are for illustrative purposes only and form no part of the claimed design;
FIG. 2 is a front elevational view thereof;
FIG. 3 is a rear elevational view thereof;
FIG. 4 is a top plan view thereof;
FIG. 5 is a bottom plan view thereof;
FIG. 6 is a right side elevational view thereof, the left side view being identical;
FIG. 7 is a front perspective view of the stroller frame;
FIG. 8 is a front elevational view of FIG. 7;
FIG. 9 is a rear elevational view of FIG. 7;
FIG. 10 is a top plan view of FIG. 7;
FIG. 11 is a bottom plan view of FIG. 7; and,
FIG. 12 is a right side elevational view of FIG. 7, the left side view being identical.

[21] Appl. No.: **29,022**

[22] Filed: **Sep. 9, 1994**

[52] U.S. Cl. **D12/129**

[58] Field of Search D12/128, 129;
D34/18; 280/650, 658, 62, 36, 47.38, 42

[56] References Cited

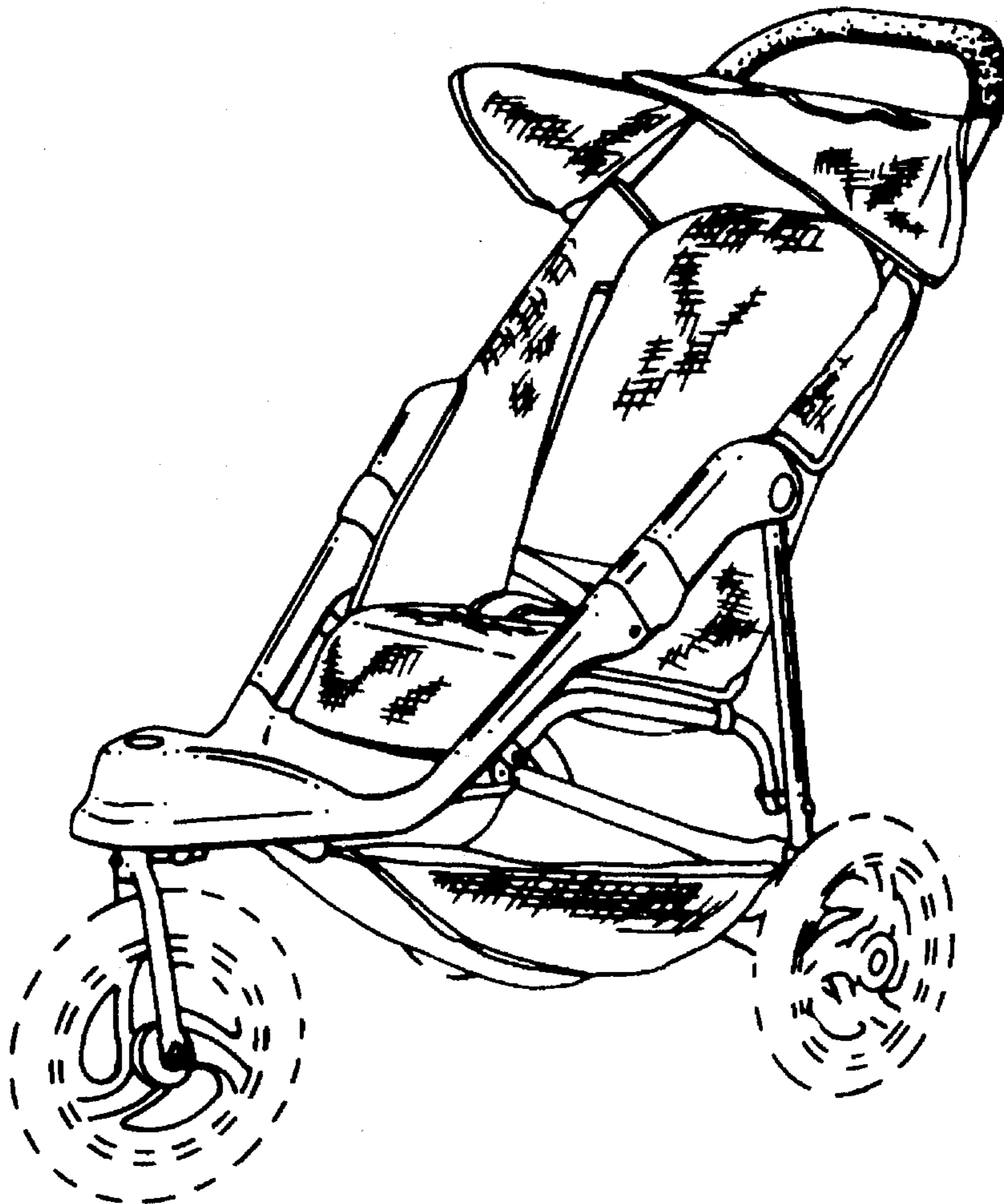
U.S. PATENT DOCUMENTS

D. 343,812	2/1994	Baechler et al.	D12/129
D. 356,760	3/1995	Baechler	D12/129
5,123,670	6/1992	Chen	280/650

Primary Examiner—**Kay H. Chin**

Attorney, Agent, or Firm—**Howrey & Simon; C. Scott**

1 Claim, 6 Drawing Sheets



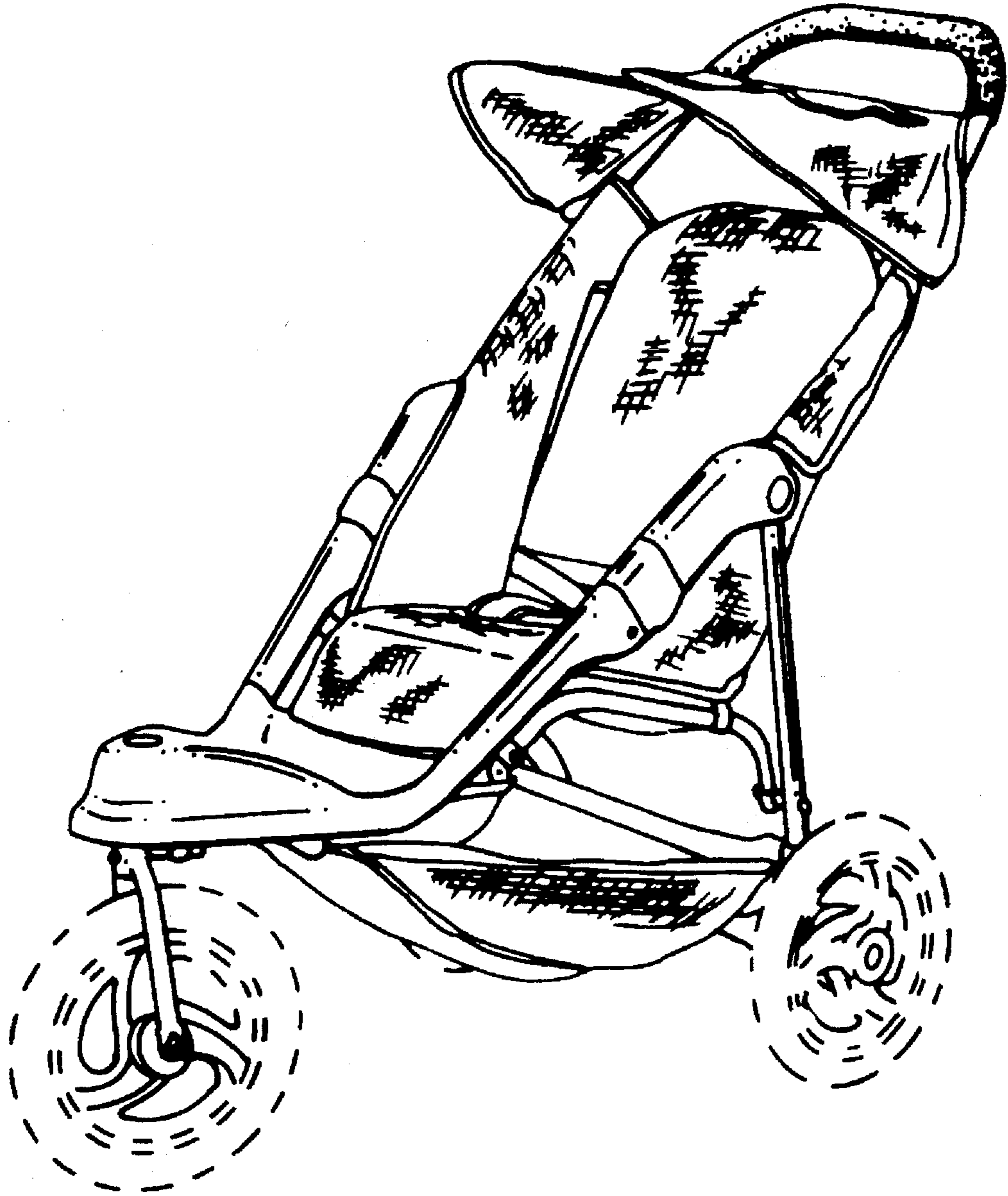


FIG - 1

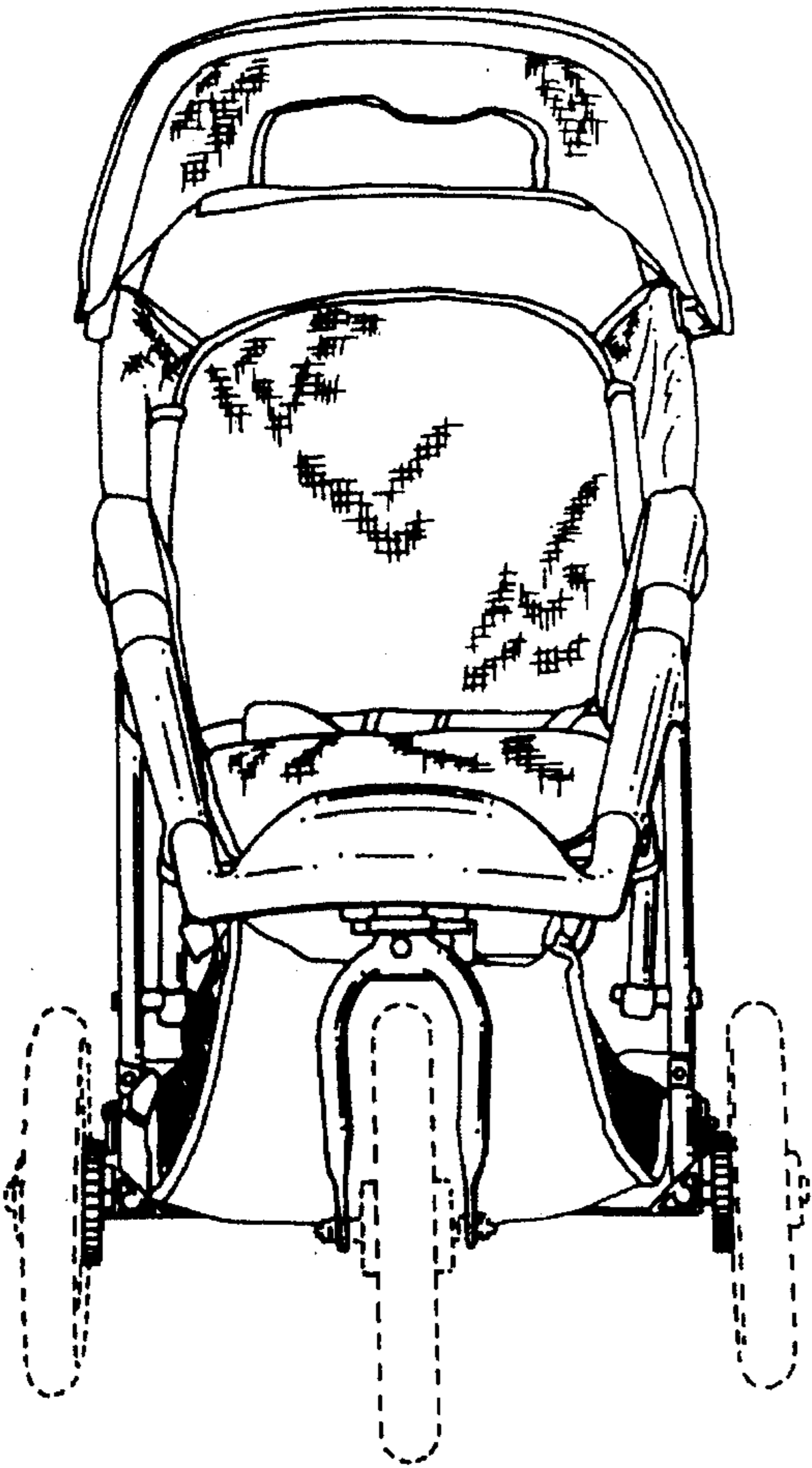


FIG- 2

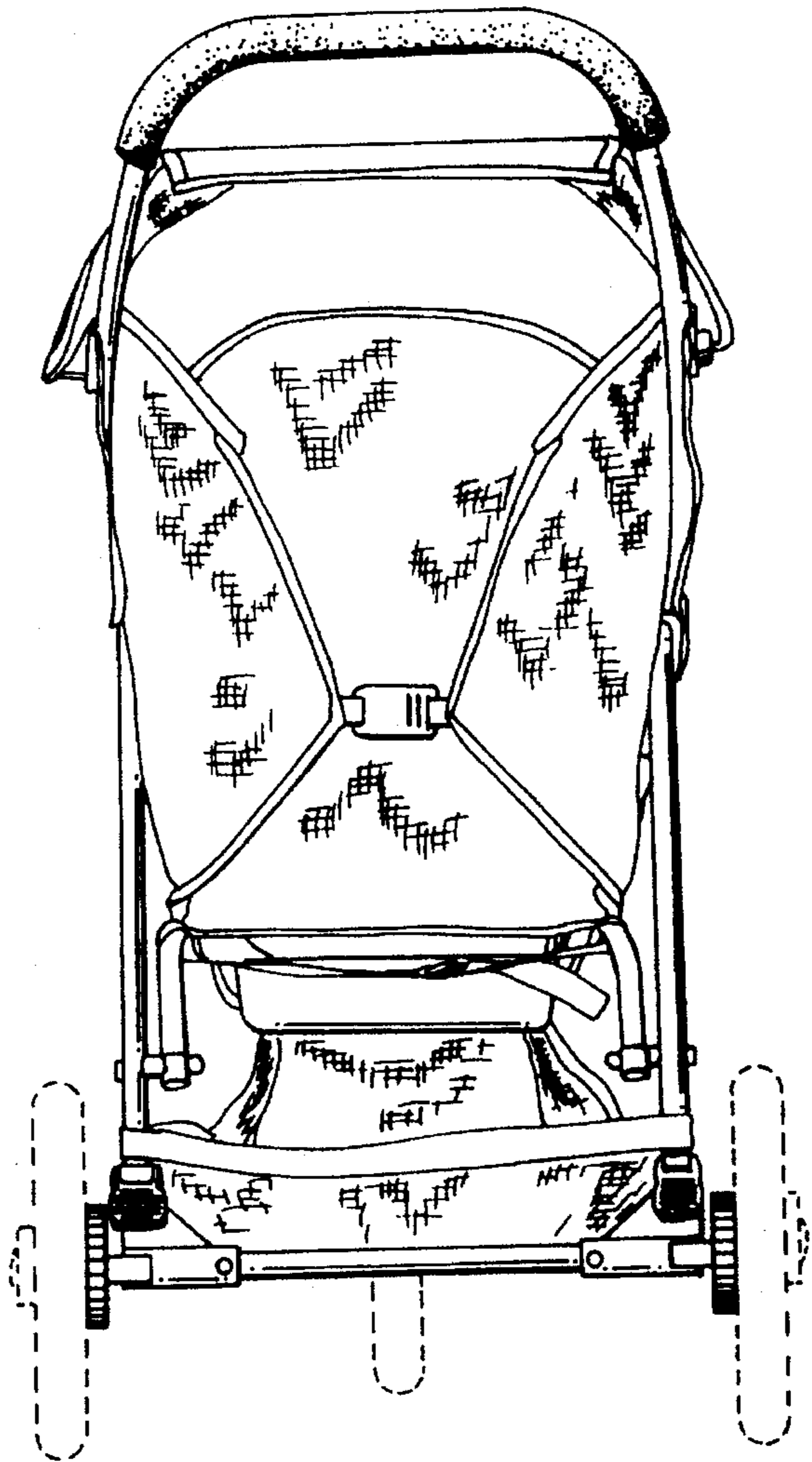


FIG- 3

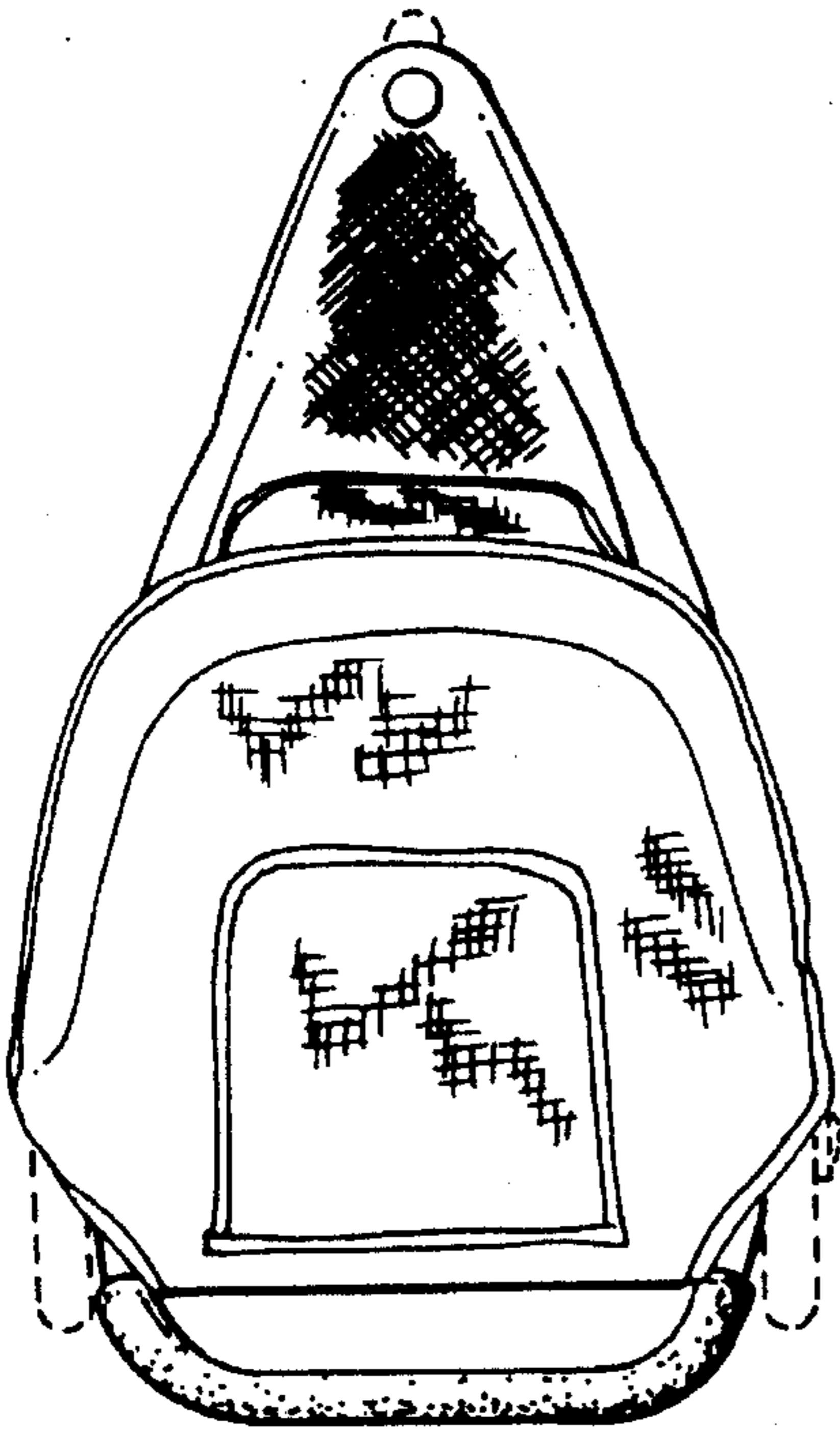


FIG- 4

FIG - 5

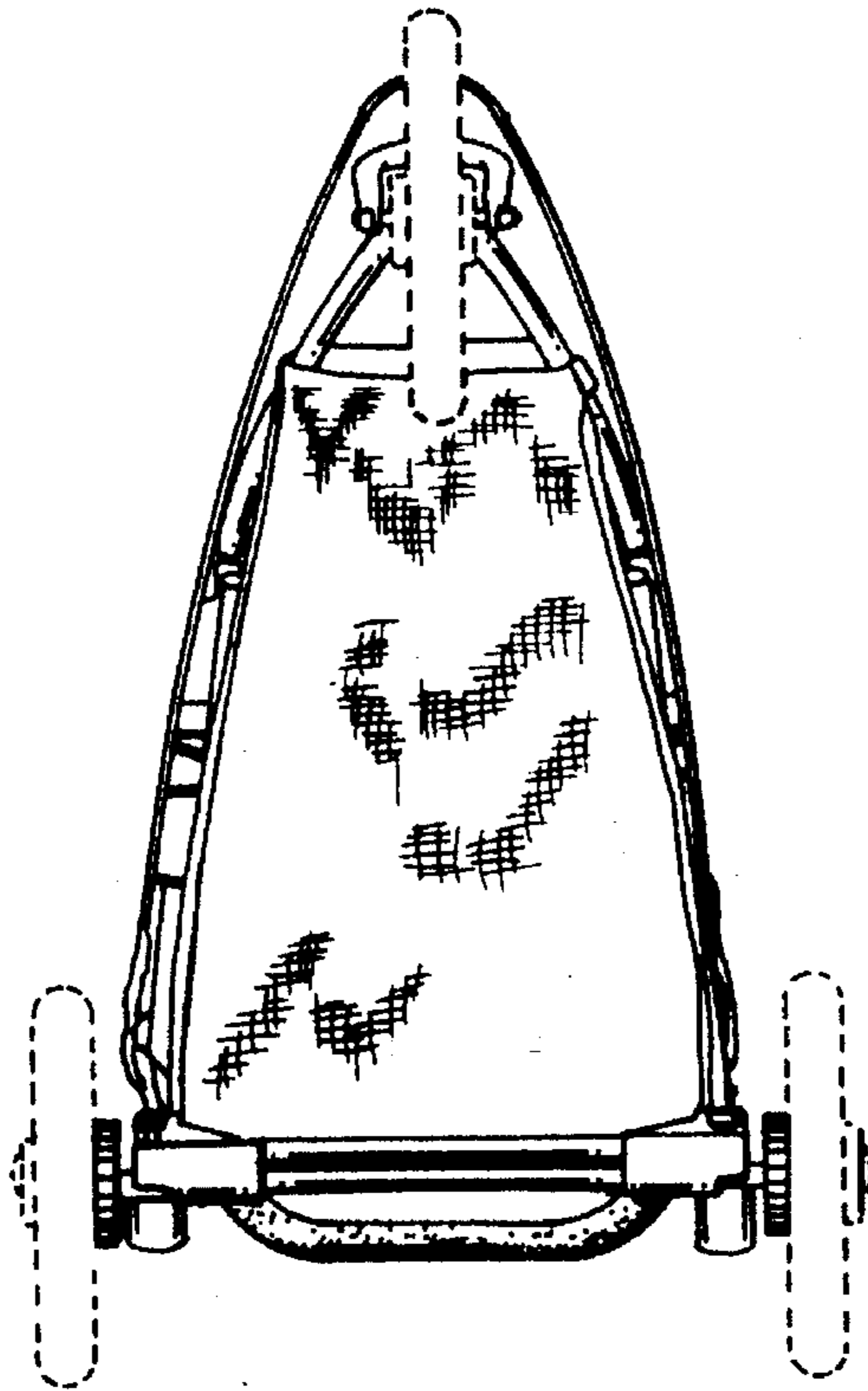
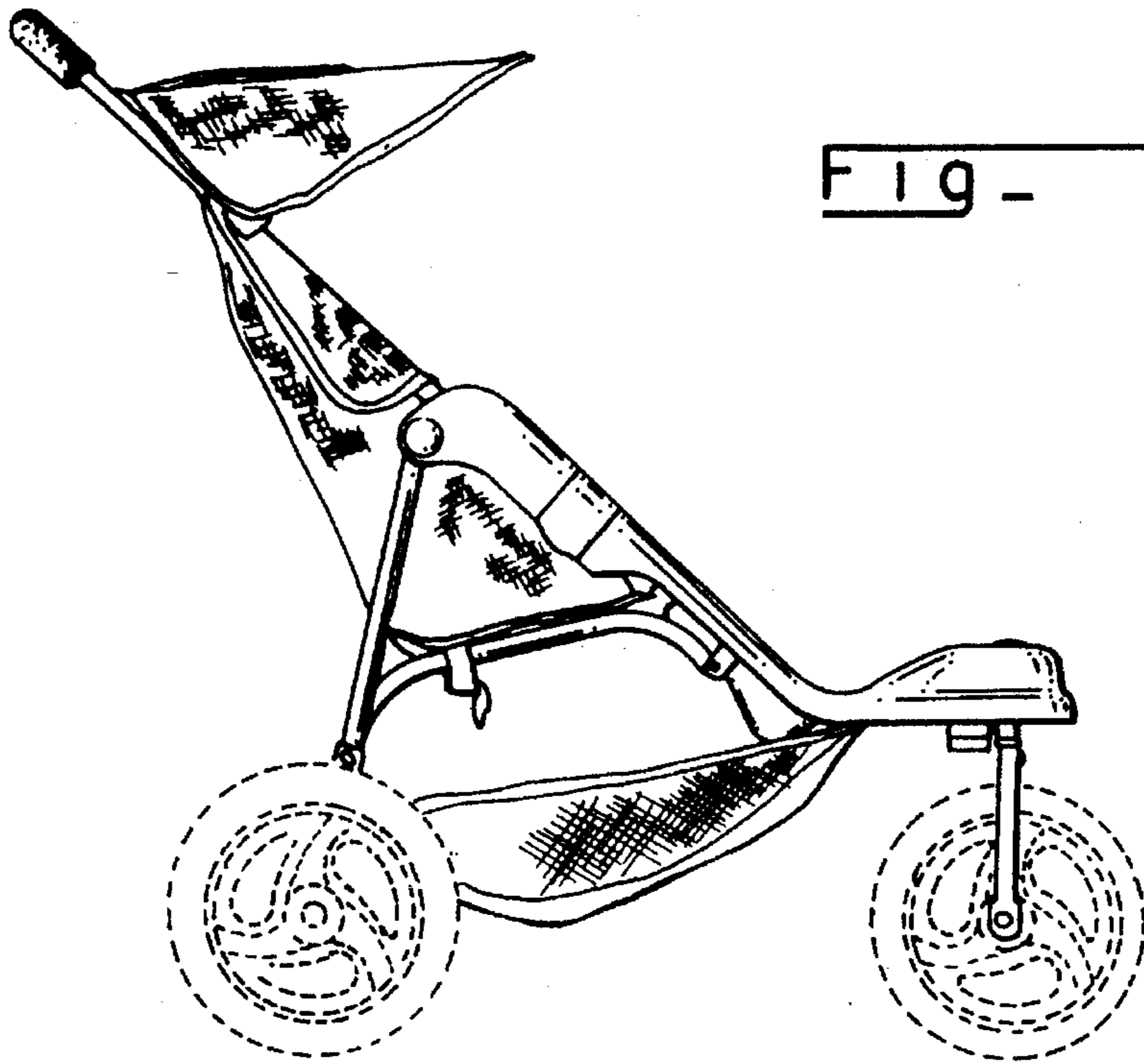


FIG - 6



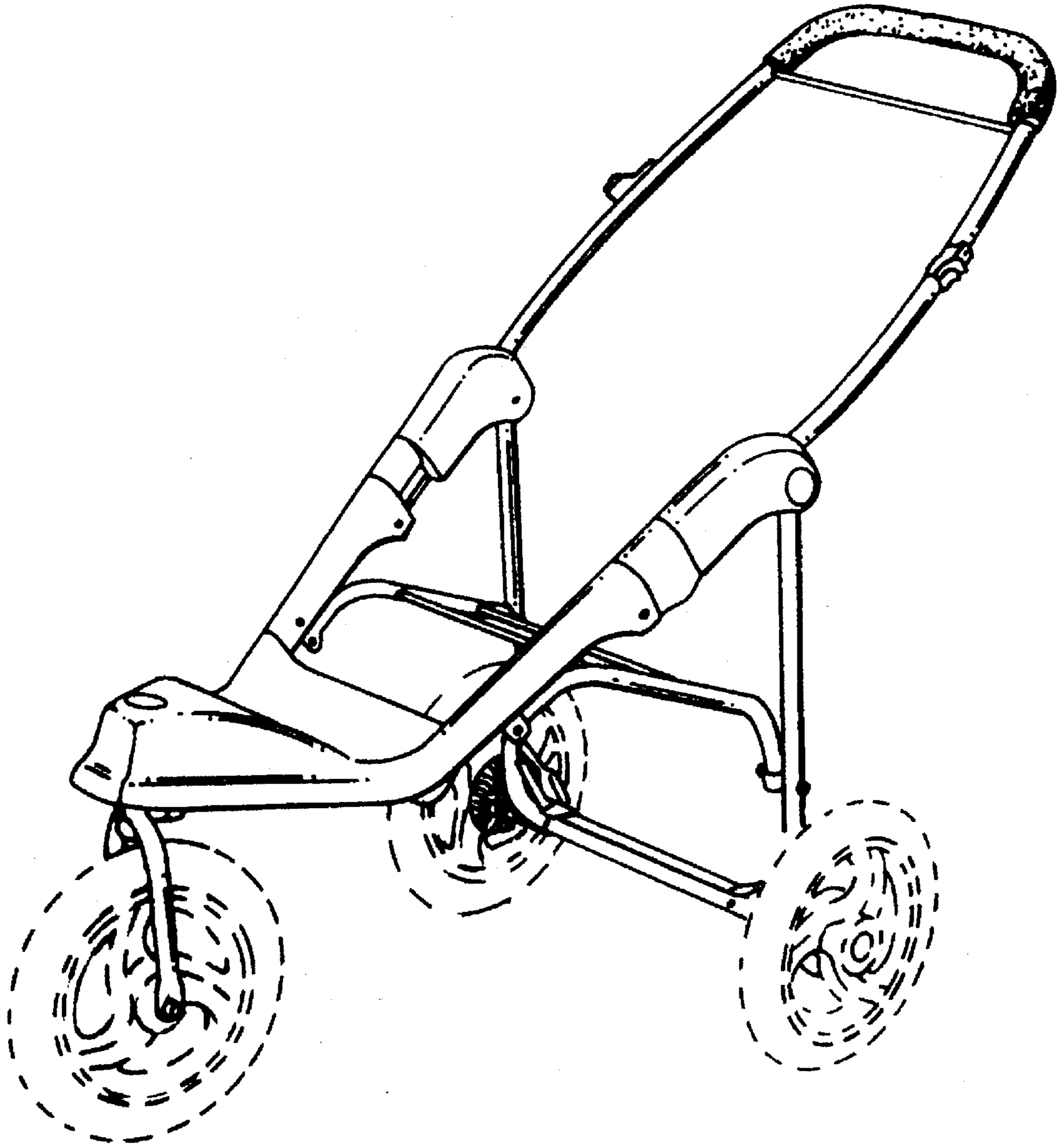


FIG - 7

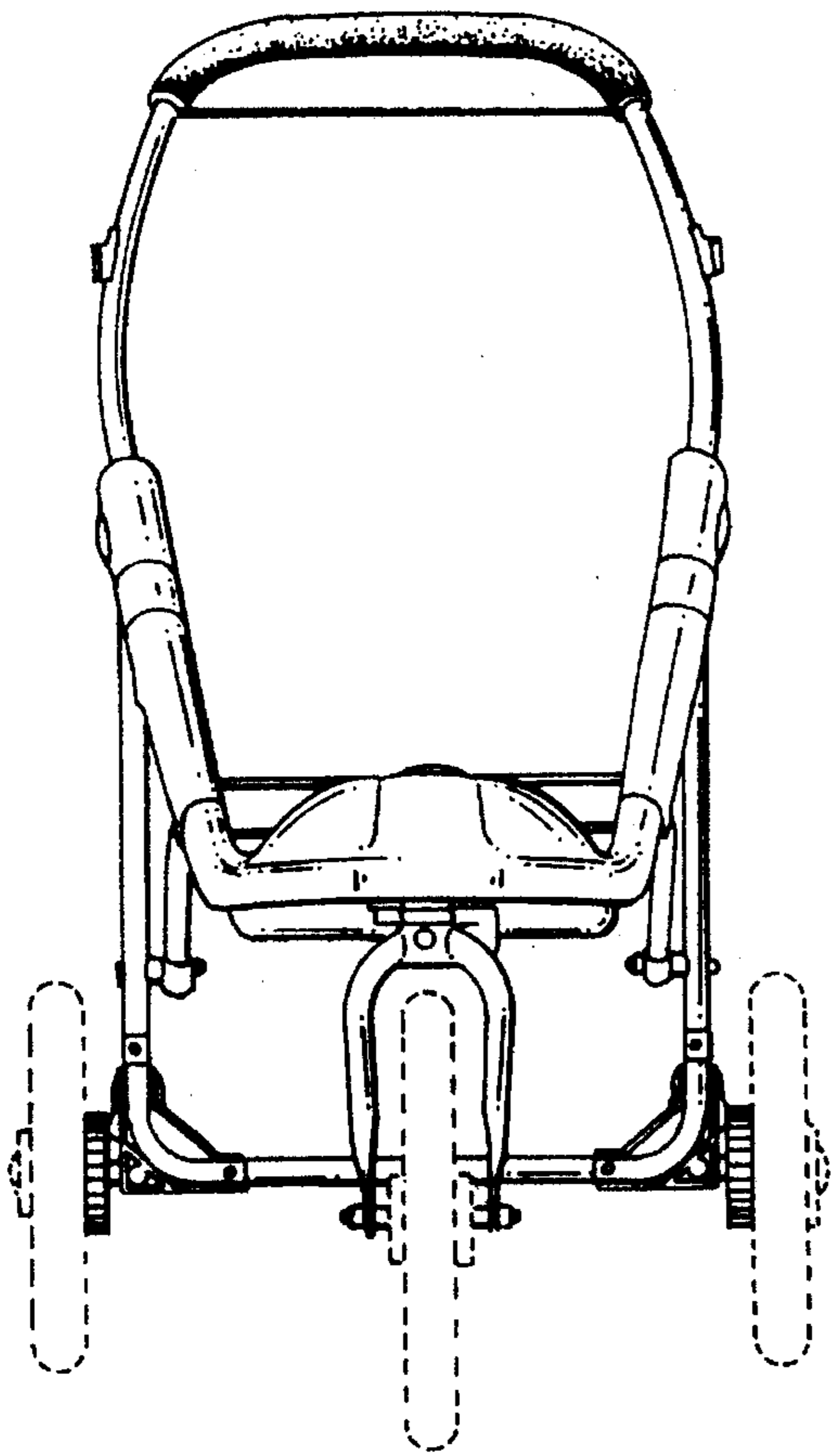


FIG - 8

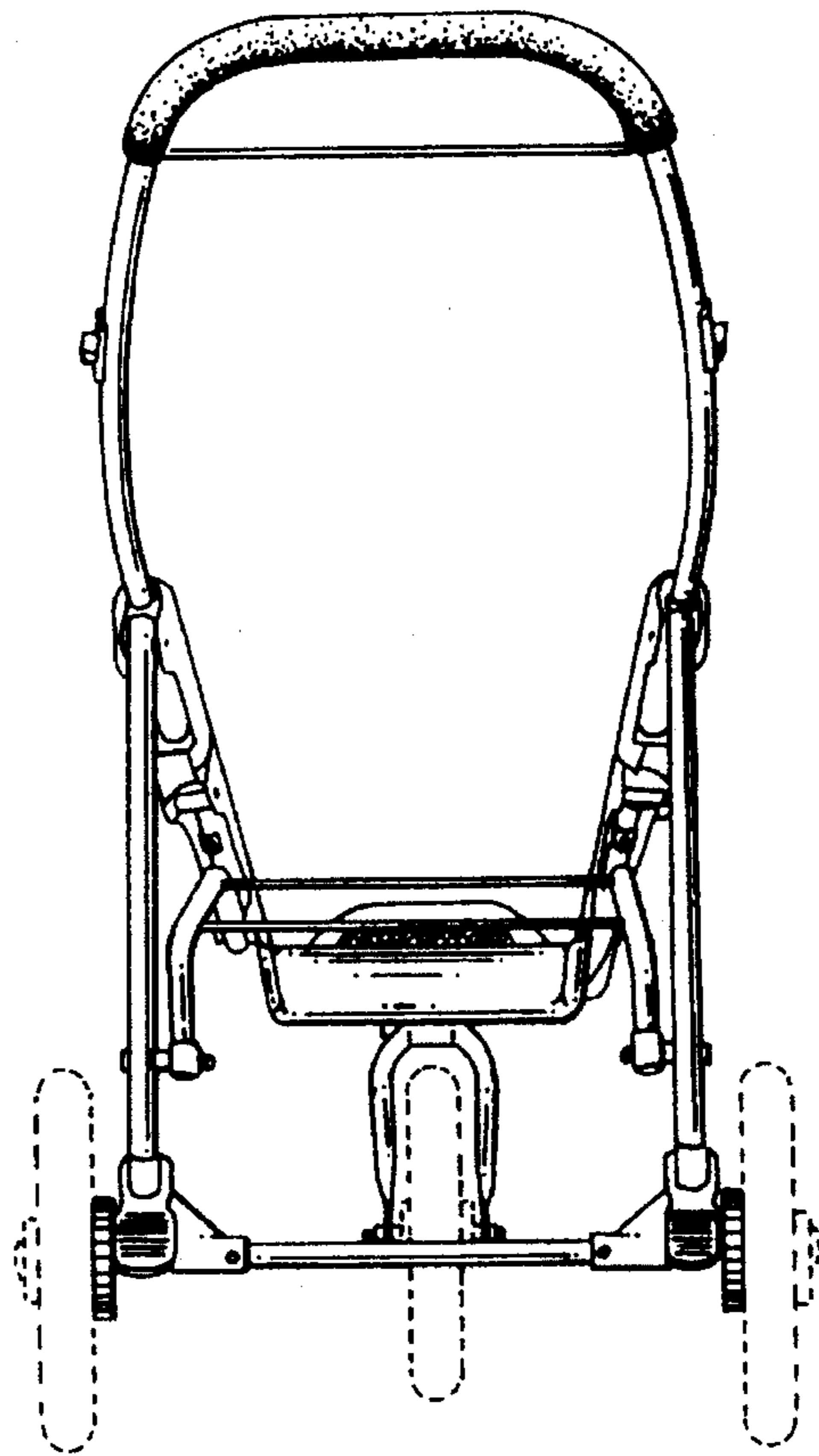


FIG - 9

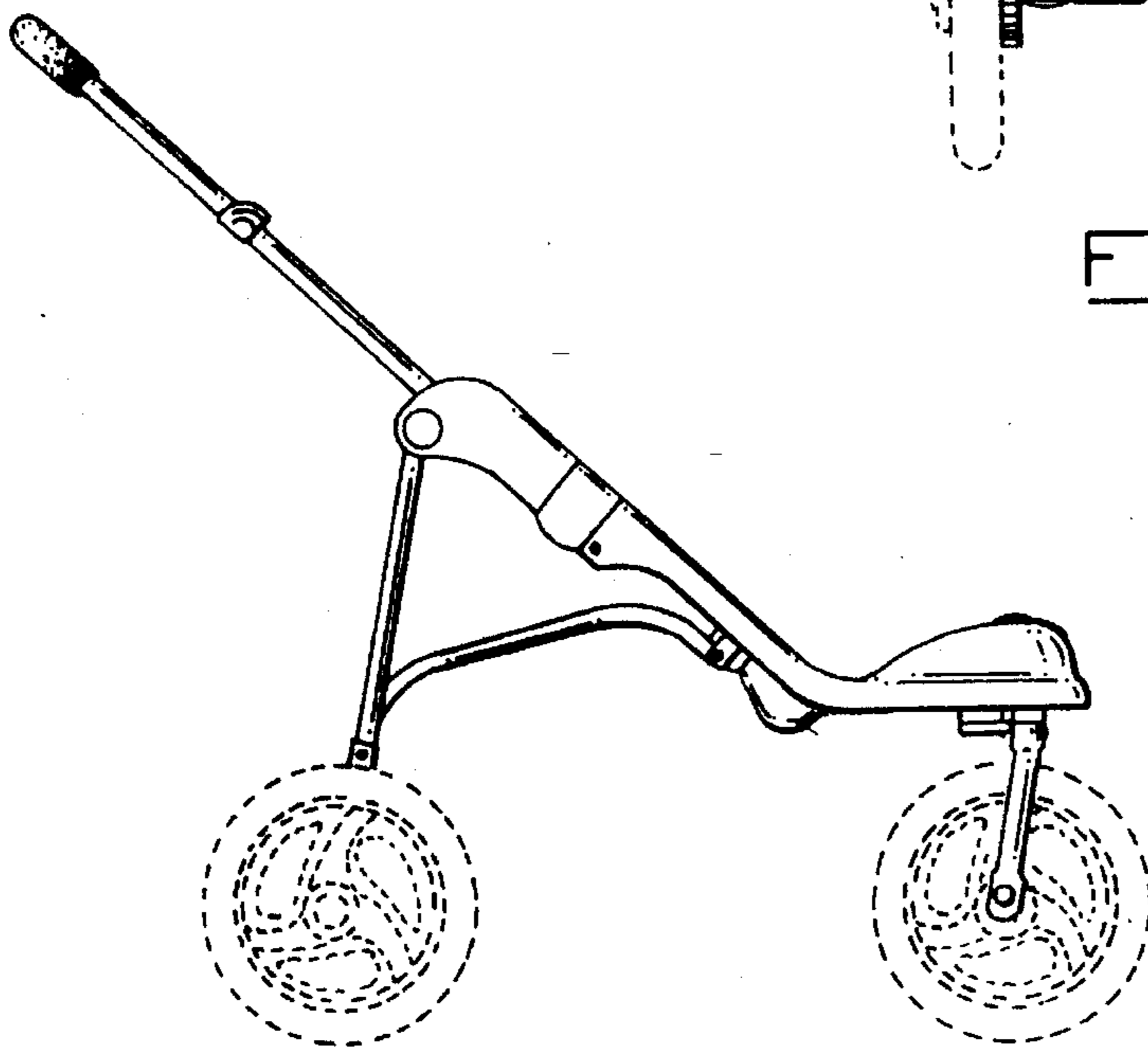


FIG - 12

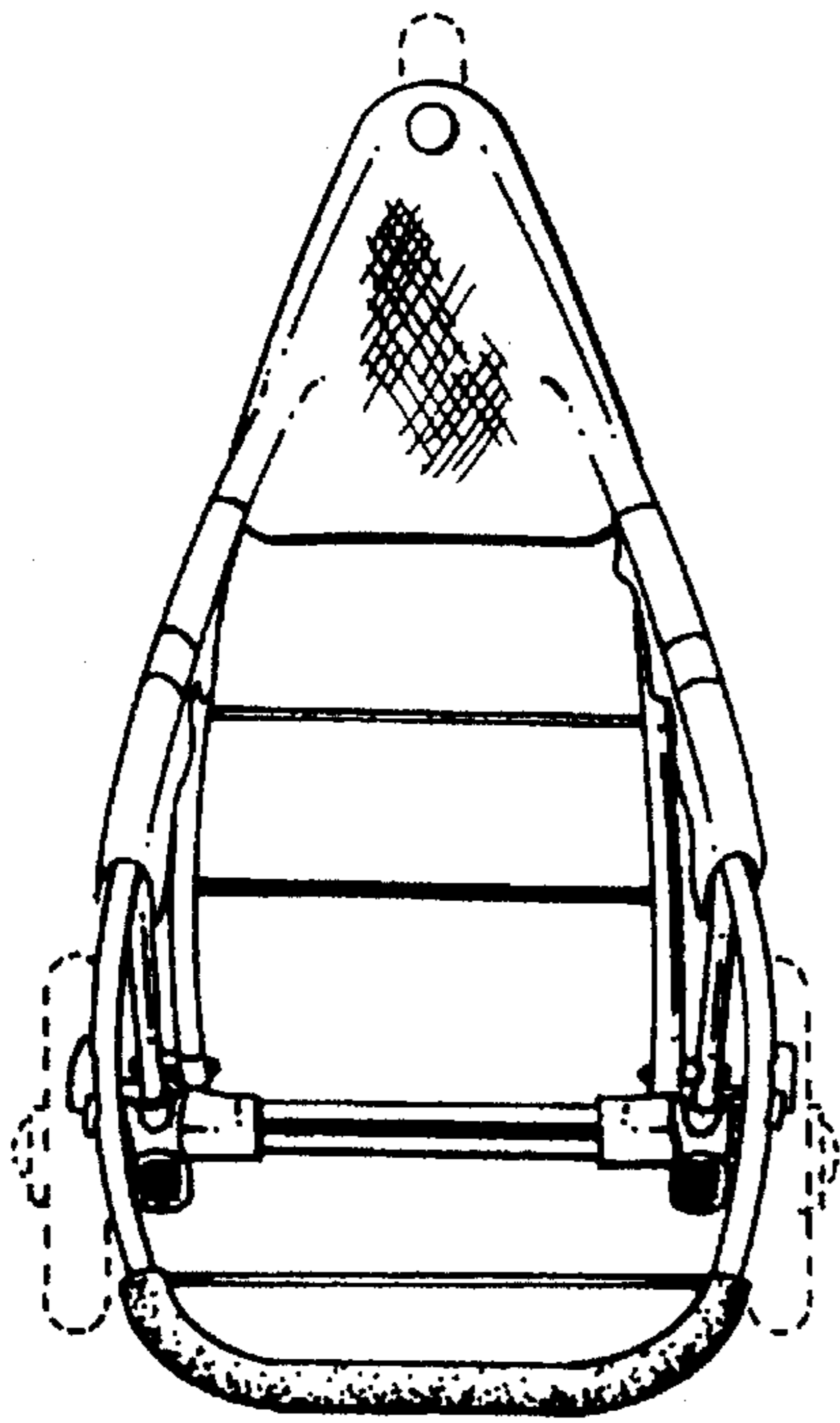


FIG - 10

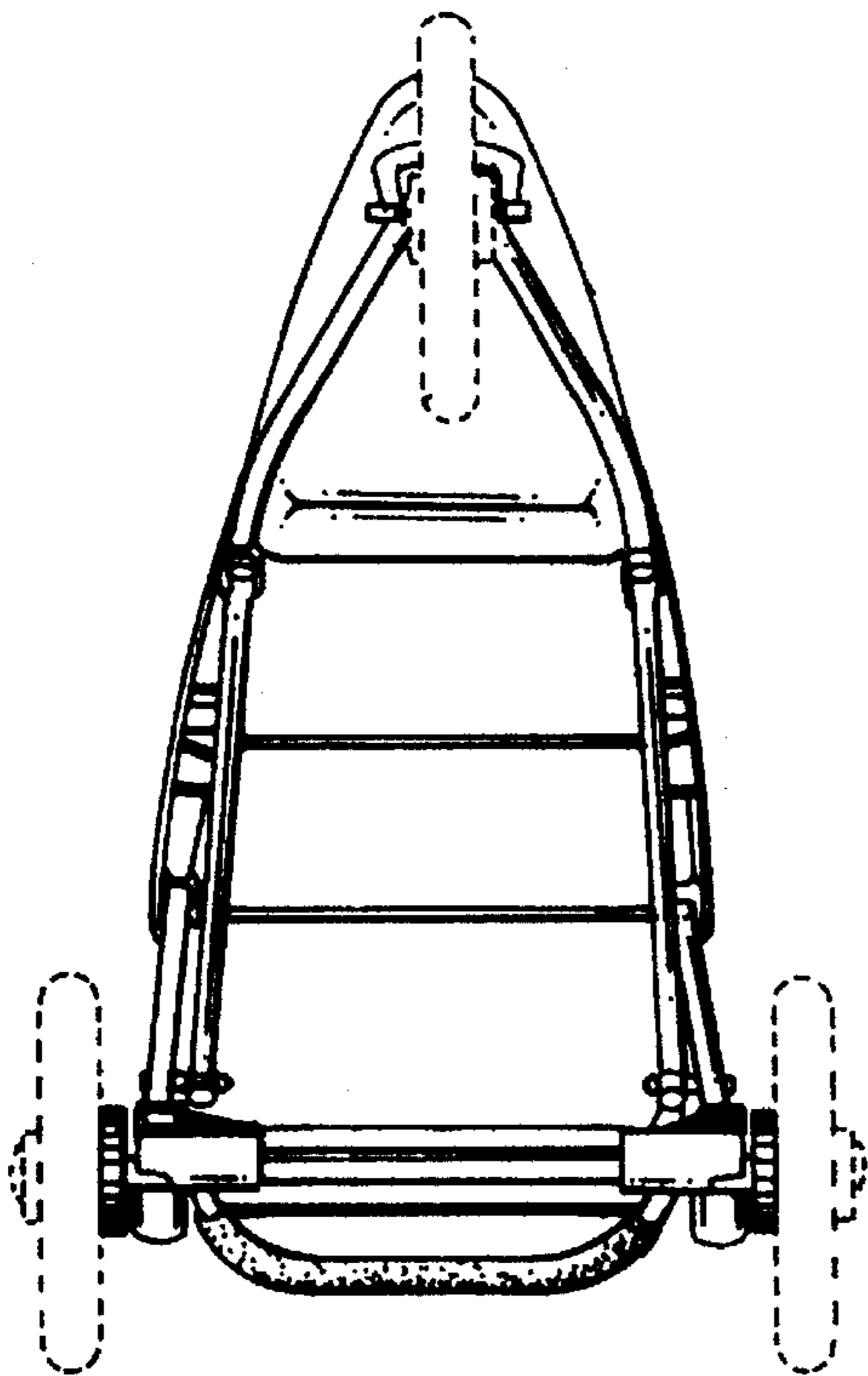


FIG - 11