



US00D364129S

United States Patent [19]

Davidson et al.

[11] Patent Number: **Des. 364,129**

[45] Date of Patent: ****Nov. 14, 1995**

- [54] **MOTORCYCLE CLUTCH COVER**
- [75] Inventors: **William G. Davidson**, Delafield; **Louis Netz**, Grafton, both of Wis.
- [73] Assignee: **Harley-Davidson, Inc.**, Milwaukee, Wis.
- [**] Term: **14 Years**
- [21] Appl. No.: **33,502**
- [22] Filed: **Jan. 13, 1995**

Related U.S. Application Data

- [62] Division of Ser. No. 16,164, Dec. 9, 1993, Pat. No. Des. 354,461.
- [52] U.S. Cl. **D12/126**
- [58] Field of Search **D12/126, 114; 280/288.4; 180/219**

[56] References Cited

U.S. PATENT DOCUMENTS

- D. 294,923 3/1988 Nagy D12/126
- D. 354,461 1/1995 Davidson et al. D12/126
- D. 354,462 1/1995 Davidson et al. D12/126
- D. 354,464 1/1995 Davidson et al. D12/127

OTHER PUBLICATIONS

- 1991 Parts & Accessories Eagle Iron Catalog, pp. 6, 12 and 13.
- 1993 Accessories Harley-Davidson, Inc. Catalog, pp. 15,

55, 98, 99, and 101.

Custom Chrome 1992 Catalog, pp. 303-307.

1993 V-Twin Manufacturing Catalog, pp. 438 and 439.

94 Customer chrome Catalog, pp. 437-441.

Primary Examiner—A. Hugo Word

Assistant Examiner—M. Brown

Attorney, Agent, or Firm—Michael, Best & Friedrich

[57] CLAIM

The ornamental design for a motorcycle clutch cover, as shown and described.

DESCRIPTION

FIG. 1 is a front perspective view of an ornamental design of a motorcycle clutch cover according to our invention;

FIG. 2 is a top view thereof;

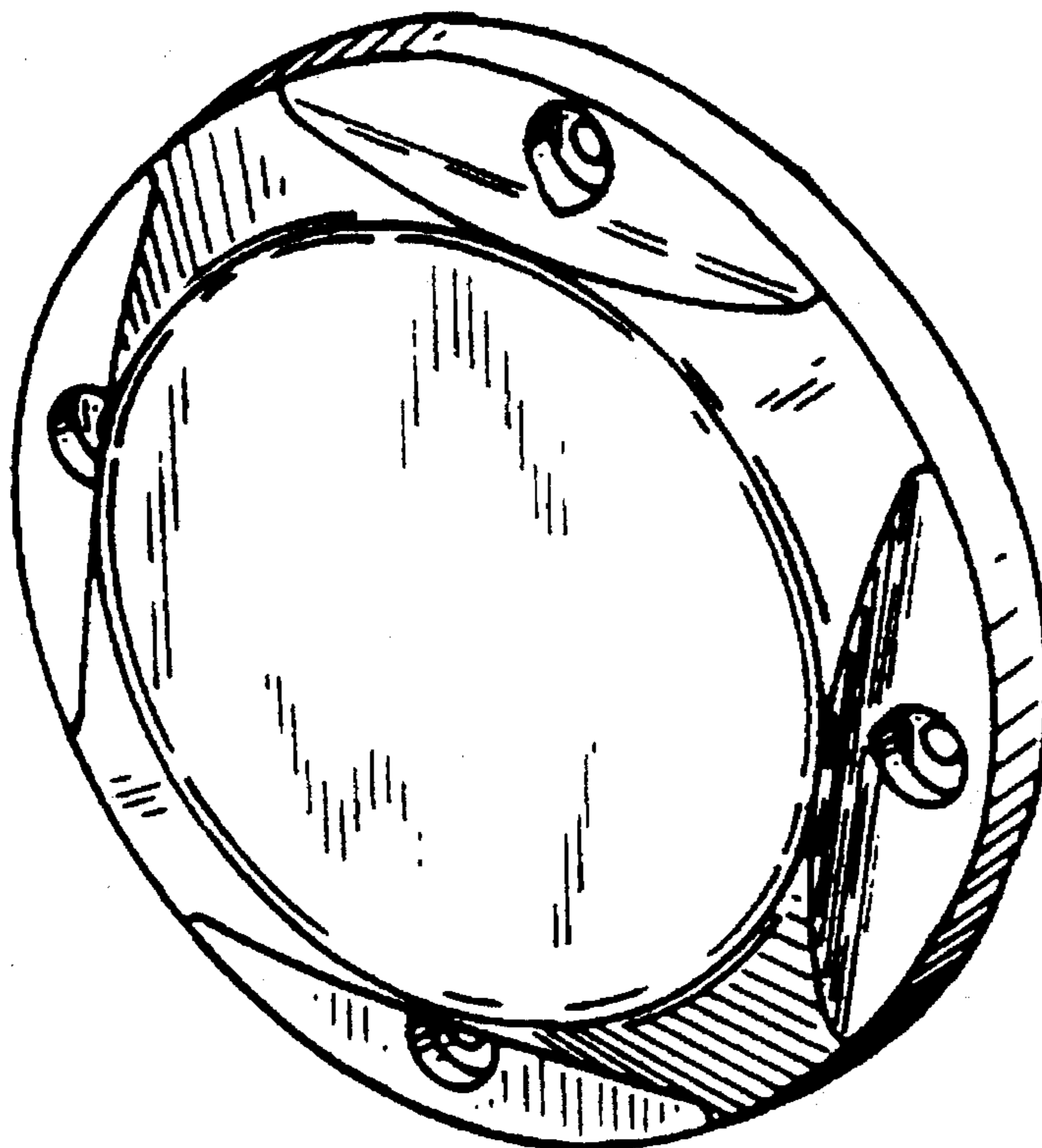
FIG. 3 is a right side elevation view thereof, the left side elevation view being a mirror image thereof;

FIG. 4 is a front elevation view thereof, the rear elevation view being a mirror image thereof;

FIG. 5 is a bottom view thereof; and,

FIG. 6 is a rear perspective view thereof.

1 Claim, 2 Drawing Sheets



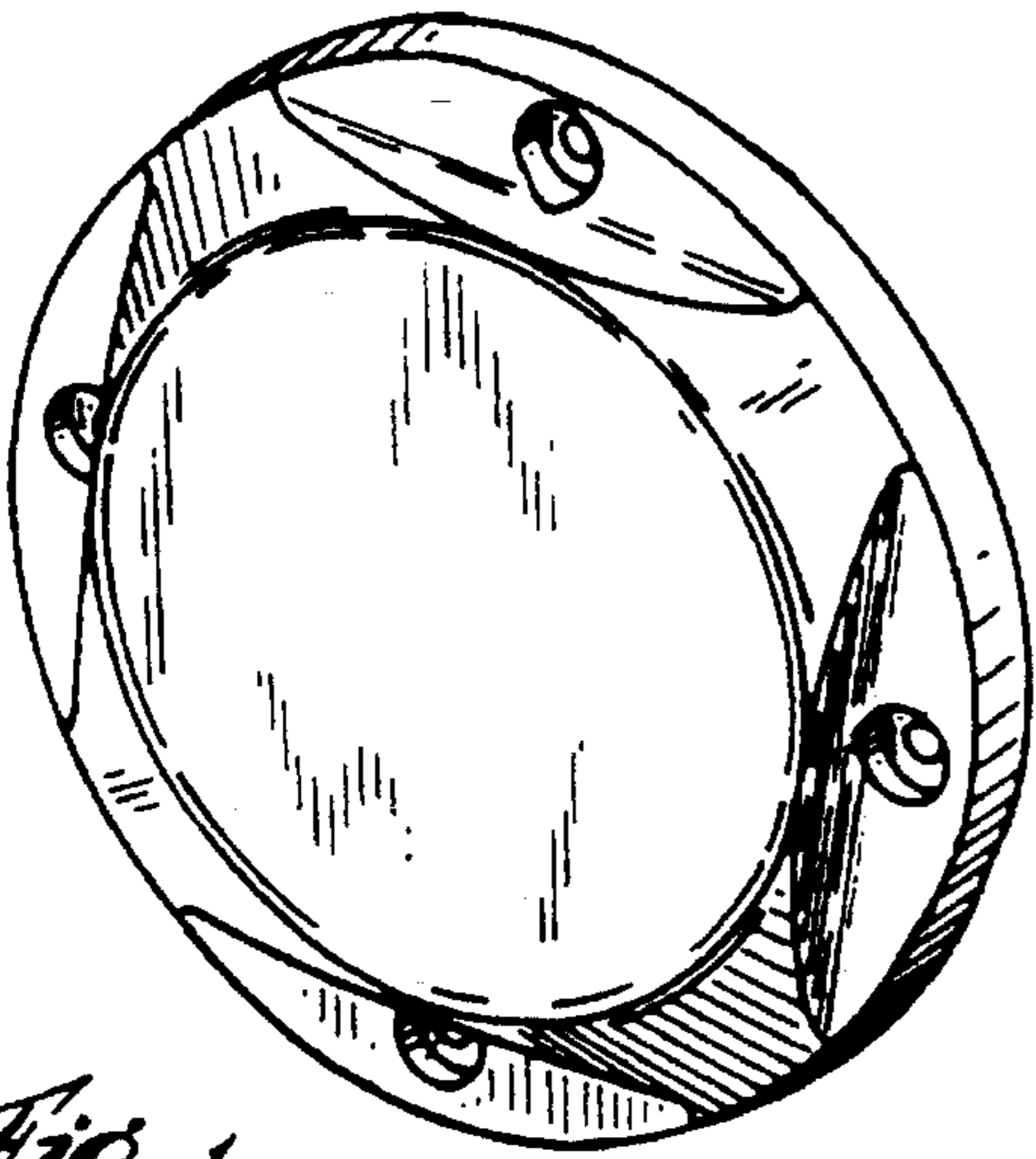


Fig. 1

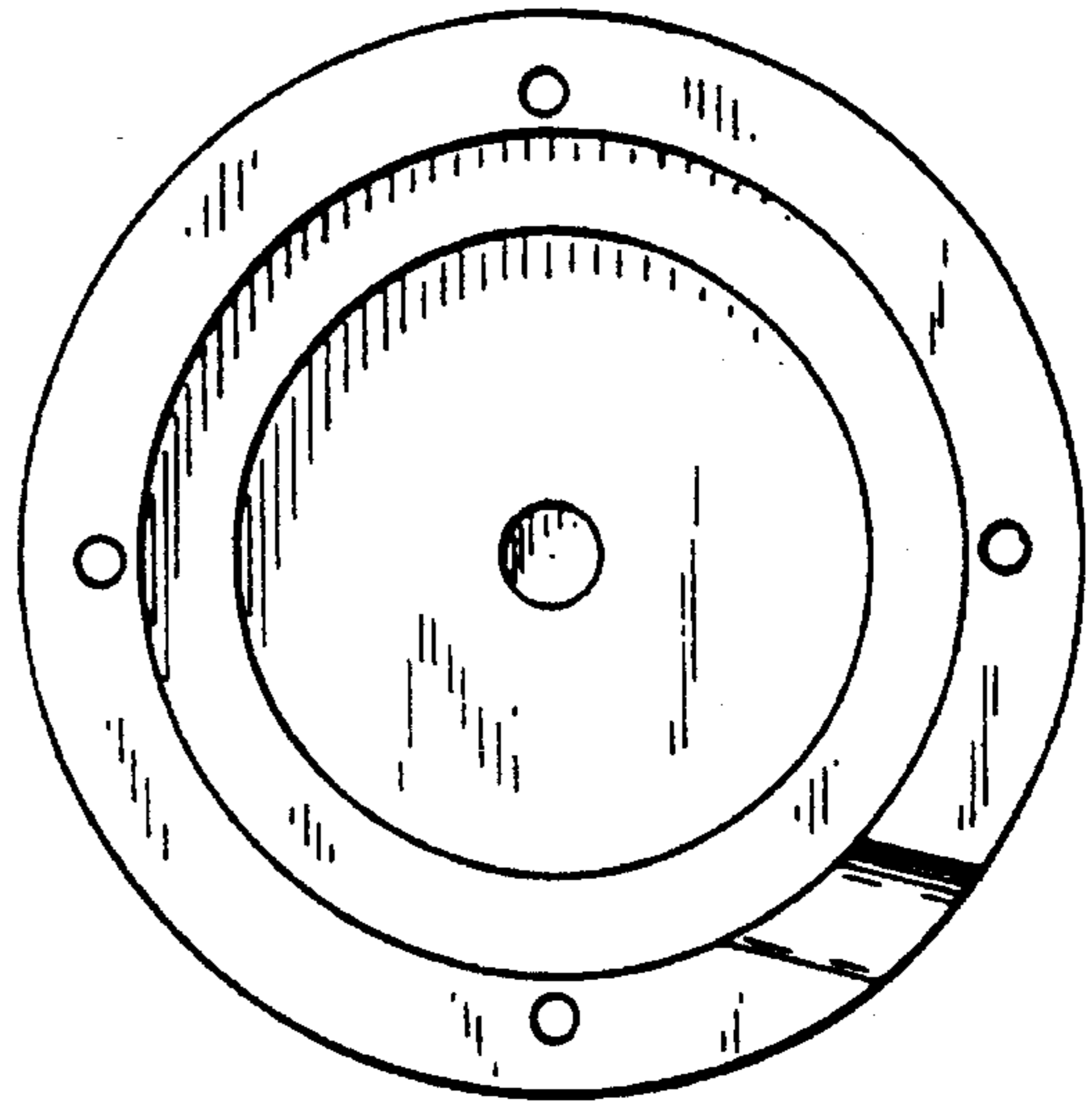


Fig. 5

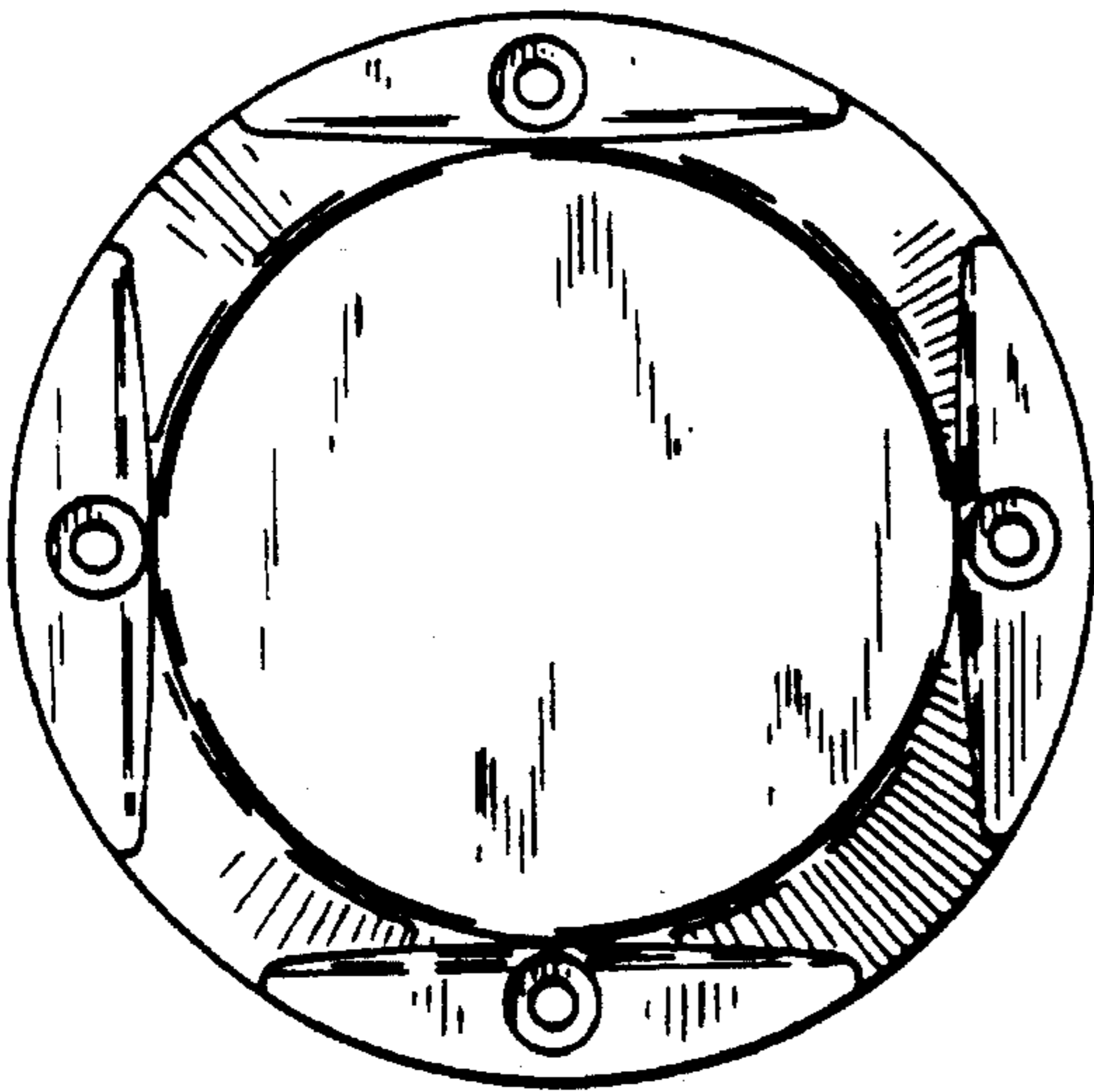


Fig. 2



Fig. 3

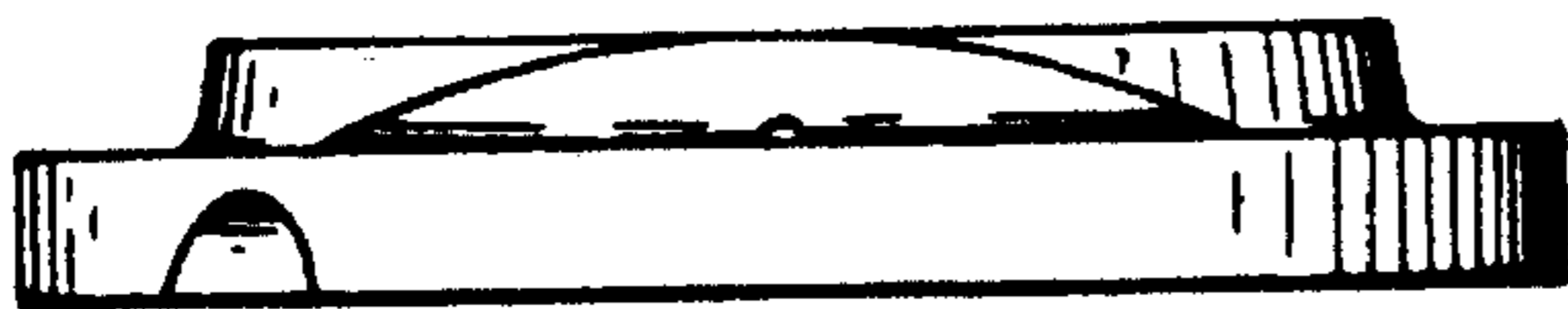


Fig. 4

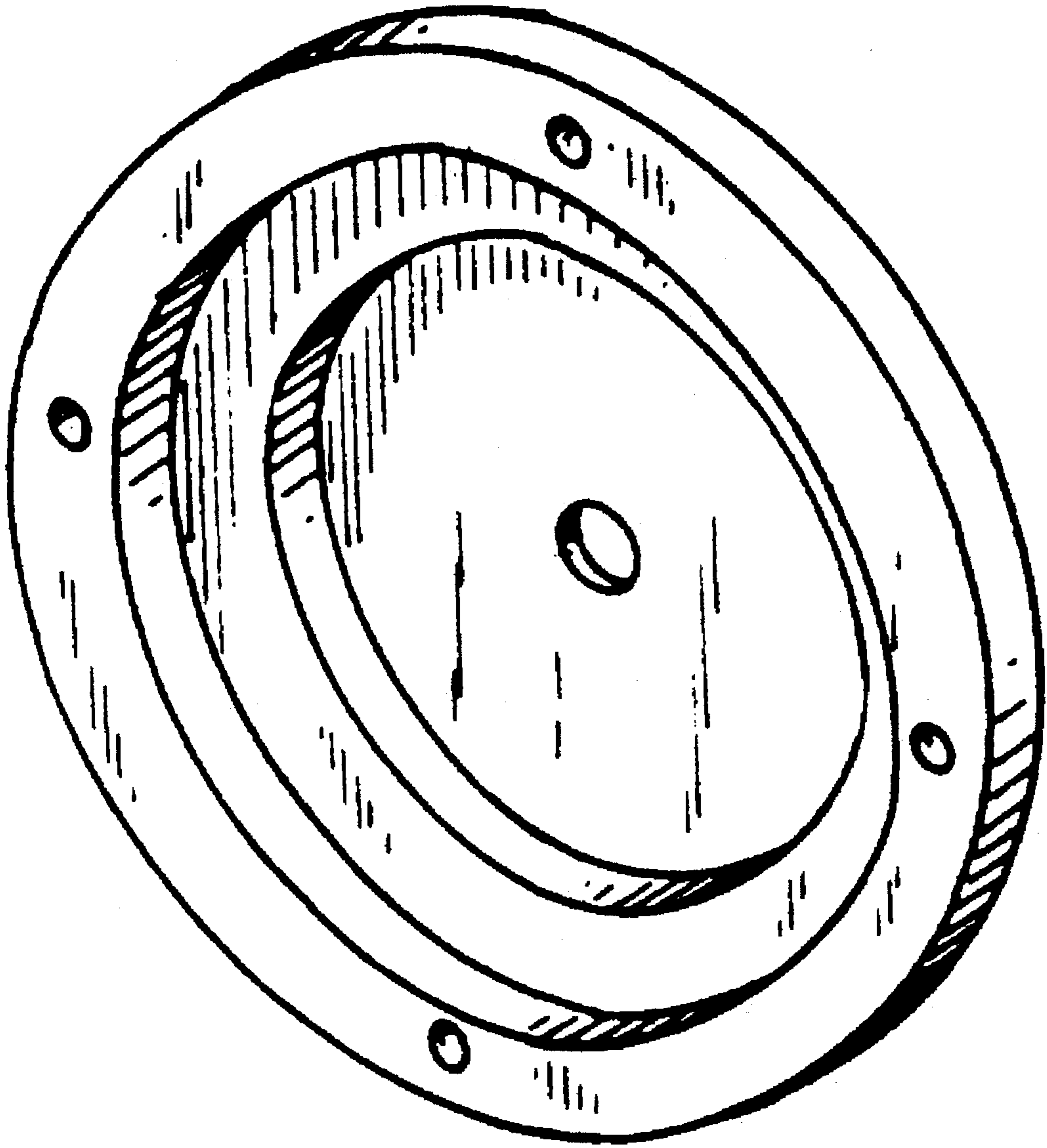


Fig. 6