



US00D364122S

United States Patent [19]

Weder et al.

[11] Patent Number: Des. 364,122

[45] Date of Patent: **Nov. 14, 1995

[54] FLOWER POT COVER

[75] Inventors: Donald E. Weder; Joseph G. Straeter, both of Highland, Ill.

[73] Assignee: Highland Supply Corporation, Highland, Ill.

[**] Term: 14 Years

[21] Appl. No.: 6,100

[22] Filed: Mar. 19, 1993

Related U.S. Application Data

[63] Continuation-in-part of Ser. No. 782,237, Oct. 18, 1991, Pat. No. Des. 349,076, which is a continuation-in-part of Ser. No. 617,454, Nov. 21, 1990, abandoned, which is a continuation-in-part of Ser. No. 411,249, Sep. 22, 1989, Pat. No. Des. 358,113, which is a continuation-in-part of Ser. No. 411,247, Sep. 22, 1989, which is a continuation-in-part of Ser. No. 411,245, Sep. 22, 1989.

[52] U.S. Cl. D11/164; D11/152

[58] Field of Search D11/143, 149, D11/152-156, 164, 89, 90; 47/66, 72; 206/423; 215/100.5; 229/1.5 R, 1.5 B, 4.5, 87.01, 922, 930, 108, 108.1, 109, 110; 428/27, 35.1, 24, 542.6; D9/346, 428-431; D27/102, 133; D26/128-136; D19/96; D7/540, 584, 586, 587, 354

[56] References Cited

U.S. PATENT DOCUMENTS

D. 239,192	3/1976	Wiles et al.	D35/3 A
D. 254,659	4/1980	Karotseris	D11/143
D. 293,775	1/1988	Weder et al.	D11/164
D. 313,574	1/1991	Weder et al.	D11/164
D. 324,659	3/1992	Stehouwer	D11/164
D. 349,076	7/1994	Weder et al.	D11/164
1,951,642	3/1934	Augustin et al.	47/34
2,355,559	8/1944	Renner	229/8
2,827,217	3/1958	Clement	229/1.5 R
3,443,741	5/1969	Stockdale	D9/431 X
4,043,077	8/1977	Stonehocker	47/66
4,712,725	12/1987	Moore	229/8
5,076,011	12/1991	Stehouwer	47/72

FOREIGN PATENT DOCUMENTS

2489126 3/1982 France .
2603159 4/1988 France .

OTHER PUBLICATIONS

Exhibit A—Speed Cover® Brochure—The Simple Solution , ©1989.

Primary Examiner—Martie Thompson
Assistant Examiner—Jeffrey Asch
Attorney, Agent, or Firm—Dunlap & Coddling

[57] CLAIM

The ornamental design for a flower pot cover, as shown and described.

DESCRIPTION

FIG. 1 is a perspective view of our new flower pot cover design;
 FIG. 2 is a side elevational view thereof;
 FIG. 3 is a top plan view thereof;
 FIG. 4 is a bottom plan view thereof;
 FIG. 5 is a side elevational view of the design of FIG. 1, the only difference being in the horizontal angle of the skirt;
 FIG. 6 is a side elevational view of the design of FIG. 1, the only difference being in the near vertical angle of the skirt;
 FIG. 7 is a side elevational view of the design of FIG. 1, the only difference being in the downward angle of the skirt;
 FIG. 8 is a side elevational view of a second embodiment of the design of FIG. 1, the only difference being in the height of the base;
 FIG. 9 is a side elevational view of a third embodiment of the design of FIG. 1, the only difference being in the height of the base;
 FIG. 10 is a side elevational view of a fourth embodiment of the design of FIG. 1, the only difference being in the size of the skirt;
 FIG. 11 is a side elevational view of a fifth embodiment of the design of FIG. 1, the only difference being in the size of the skirt;
 FIG. 12 is a perspective view of a sixth embodiment of our new flower pot cover design;
 FIG. 13 is a side elevational view thereof;

(Description continued on next page.)

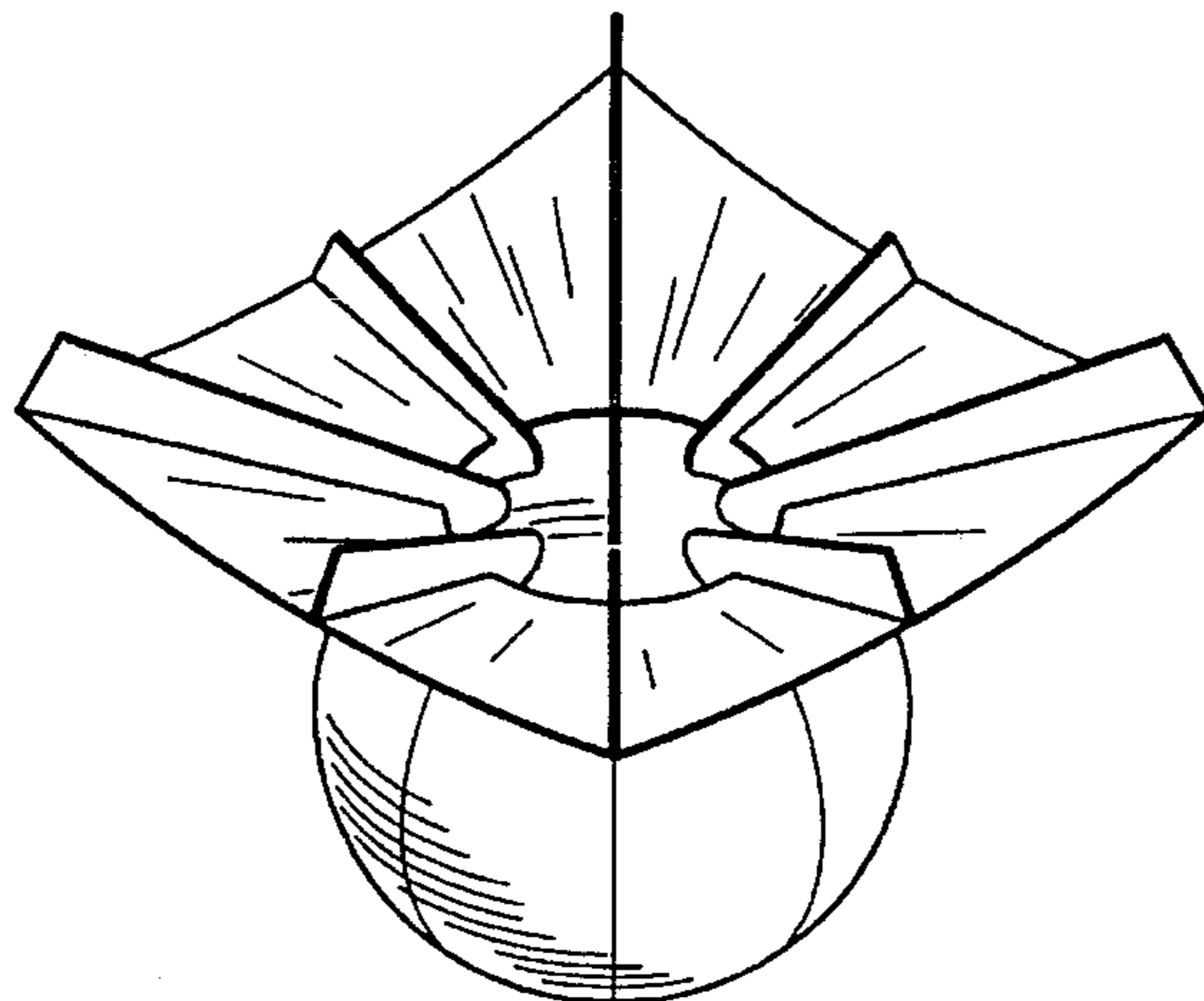
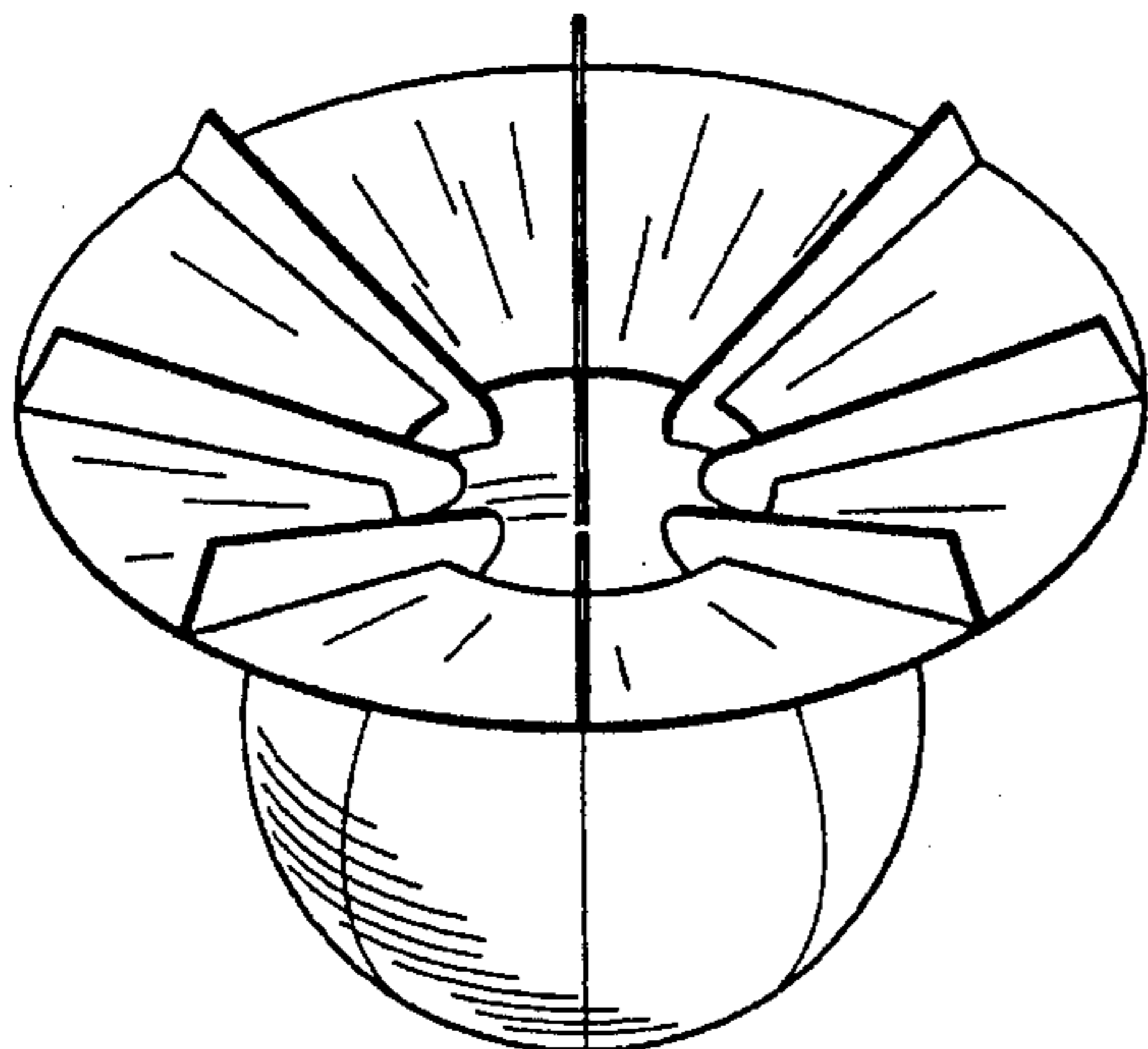


FIG. 14 is a top plan view thereof;
FIG. 15 is a bottom plan view thereof;
FIG. 16 is a side elevational view of the design of FIG. 12, the only difference being in the horizontal angle of the skirt;
FIG. 17 is a side elevational view of the design of FIG. 12, the only difference being in the near vertical angle of the skirt;
FIG. 18 is a side elevational view of the design of FIG. 12, the only difference being in the downward angle of the skirt;
FIG. 19 is a side elevational view of a seventh embodiment of the flower pot cover design, the only difference being in the height of the base;
FIG. 20 is a side elevational view of an eighth embodiment of the flower pot cover design, the only difference being in the height of the base;
FIG. 21 is a side elevational view of a ninth embodiment of the flower pot cover design, the only difference being in the size of the skirt;
FIG. 22 is a side elevational view of a tenth embodiment of the flower pot cover design, the only difference being in the size of the skirt;
FIG. 23 is a perspective view of an eleventh embodiment of our new flower pot cover design;
FIG. 24 is a side elevational view thereof;
FIG. 25 is a top plan view thereof;
FIG. 26 is a bottom plan view thereof;
FIG. 27 is a side elevational view of the design of FIG. 23, the only difference being in the horizontal angle of the skirt;
FIG. 28 is a side elevational view of the design of FIG. 23, the only difference being in the near vertical angle of the skirt;
FIG. 29 is a side elevational view of the design of FIG. 23, the only difference being in the downward angle of the skirt;
FIG. 30 is a side elevational view of a twelfth embodiment of the flower pot cover design, the only difference being in the height of the base;
FIG. 31 is a side elevational view of an thirteenth embodiment of the flower pot cover design, the only difference being in the height of the base;
FIG. 32 is a side elevational view of a fourteenth embodiment of the flower pot cover design, the only difference being in the size of the skirt;
FIG. 33 is a side elevational view of a fifteenth embodiment of the flower pot cover design, the only difference being in the size of the skirt;
FIG. 34 is a perspective view of an sixteenth embodiment of our new flower pot cover design;
FIG. 35 is a side elevational view thereof;
FIG. 36 is a top plan view thereof;
FIG. 37 is a bottom plan view thereof;
FIG. 38 is a side elevational view of the design of FIG. 34, the only difference being in the horizontal angle of the skirt;
FIG. 39 is a side elevational view of the design of FIG. 34, the only difference being in the near vertical angle of the skirt;
FIG. 40 is a side elevational view of the design of FIG. 34, the only difference being in the downward angle of the skirt;
FIG. 41 is a side elevational view of a seventeenth embodiment of the flower pot cover design, the only difference being in the height of the base;
FIG. 42 is a side elevational view of an eighteenth embodiment of the flower pot cover design, the only difference being in the height of the base;
FIG. 43 is a side elevational view of a nineteenth embodiment of the flower pot cover design, the only difference

being in the size of the skirt;
FIG. 44 is a side elevational view of a twentieth embodiment of the flower pot cover design, the only difference being in the size of the skirt;
FIG. 45 is a perspective view of an twenty-first embodiment of our new flower pot cover design;
FIG. 46 is a side elevational view thereof;
FIG. 47 is a top plan view thereof;
FIG. 48 is a bottom plan view thereof;
FIG. 49 is a side elevational view of the design of FIG. 45, the only difference being in the horizontal angle of the skirt;
FIG. 50 is a side elevational view of the design of FIG. 45, the only difference being in the near vertical angle of the skirt;
FIG. 51 is a side elevational view of the design of FIG. 45, the only difference being in the downward angle of the skirt;
FIG. 52 is a side elevational view of a twenty-second embodiment of the flower pot cover design, the only difference being in the height of the base;
FIG. 53 is a side elevational view of an twenty-third embodiment of the flower pot cover design, the only difference being in the height of the base;
FIG. 54 is a side elevational view of a twenty-fourth embodiment of the flower pot cover design, the only difference being in the size of the skirt;
FIG. 55 is a side elevational view of a twenty-fifth embodiment of the flower pot cover design, the only difference being in the size of the skirt;
FIG. 56 is a perspective view of an twenty-sixth embodiment of our new flower pot cover design;
FIG. 57 is a side elevational view thereof;
FIG. 58 is a top plan view thereof;
FIG. 59 is a bottom plan view thereof;
FIG. 60 is a side elevational view of the design of FIG. 56, the only difference being in the horizontal angle of the skirt;
FIG. 61 is a side elevational view of the design of FIG. 56, the only difference being in the near vertical angle of the skirt;
FIG. 62 is a side elevational view of the design of FIG. 56, the only difference being in the downward angle of the skirt;
FIG. 63 is a side elevational view of a twenty-seventh embodiment of the flower pot cover design, the only difference being in the height of the base;
FIG. 64 is a side elevational view of an twenty-eighth embodiment of the flower pot cover design, the only difference being in the height of the base;
FIG. 65 is a side elevational view of a twenty-ninth embodiment of the flower pot cover design, the only difference being in the size of the skirt;
FIG. 66 is a side elevational view of a thirtieth embodiment of the flower pot cover design, the only difference being in the size of the skirt;
FIG. 67 is a perspective view of an thirty-first embodiment of our new flower pot cover design;
FIG. 68 is a side elevational view thereof;
FIG. 69 is a top plan view thereof;
FIG. 70 is a bottom plan view thereof;
FIG. 71 is a side elevational view of the design of FIG. 67, the only difference being in the horizontal angle of the skirt;
FIG. 72 is a side elevational view of the design of FIG. 67, the only difference being in the near vertical angle of the skirt;
FIG. 73 is a side elevational view of the design of FIG. 67, the only difference being in the downward angle of the skirt;
FIG. 74 is a side elevational view of a thirty-second embodi-

ment of the flower pot cover design, the only difference being in the height of the base;

FIG. 75 is a side elevational view of an thirty-third embodiment of the flower pot cover design, the only difference being in the height of the base;

FIG. 76 is a side elevational view of a thirty-fourth embodiment of the flower pot cover design, the only difference being in the size of the skirt;

FIG. 77 is a side elevational view of a thirty-fifth embodiment of the flower pot cover design, the only difference being in the size of the skirt;

FIG. 78 is a perspective view of an thirty-sixth embodiment of our new flower pot cover design;

FIG. 79 is a side elevational view thereof;

FIG. 80 is a top plan view thereof;

FIG. 81 is a bottom plan view thereof;

FIG. 82 is a side elevational view of the design of FIG. 78, the only difference being in the horizontal angle of the skirt;

FIG. 83 is a side elevational view of the design of FIG. 78,

the only difference being in the near vertical angle of the skirt;

FIG. 84 is a side elevational view of the design of FIG. 78, the only difference being in the downward angle of the skirt;

FIG. 85 is a side elevational view of a thirty-seventh embodiment of the flower pot cover design, the only difference being in the height of the base;

FIG. 86 is a side elevational view of an thirty-eighth embodiment of the flower pot cover design, the only difference being in the height of the base;

FIG. 87 is a side elevational view of a thirty-ninth embodiment of the flower pot cover design, the only difference being in the size of the skirt; and,

FIG. 88 is a side elevational view of a fortieth embodiment of the flower pot cover design, the only difference being in the size of the skirt.

The flower pot cover has no substantial thickness.

1 Claim, 16 Drawing Sheets

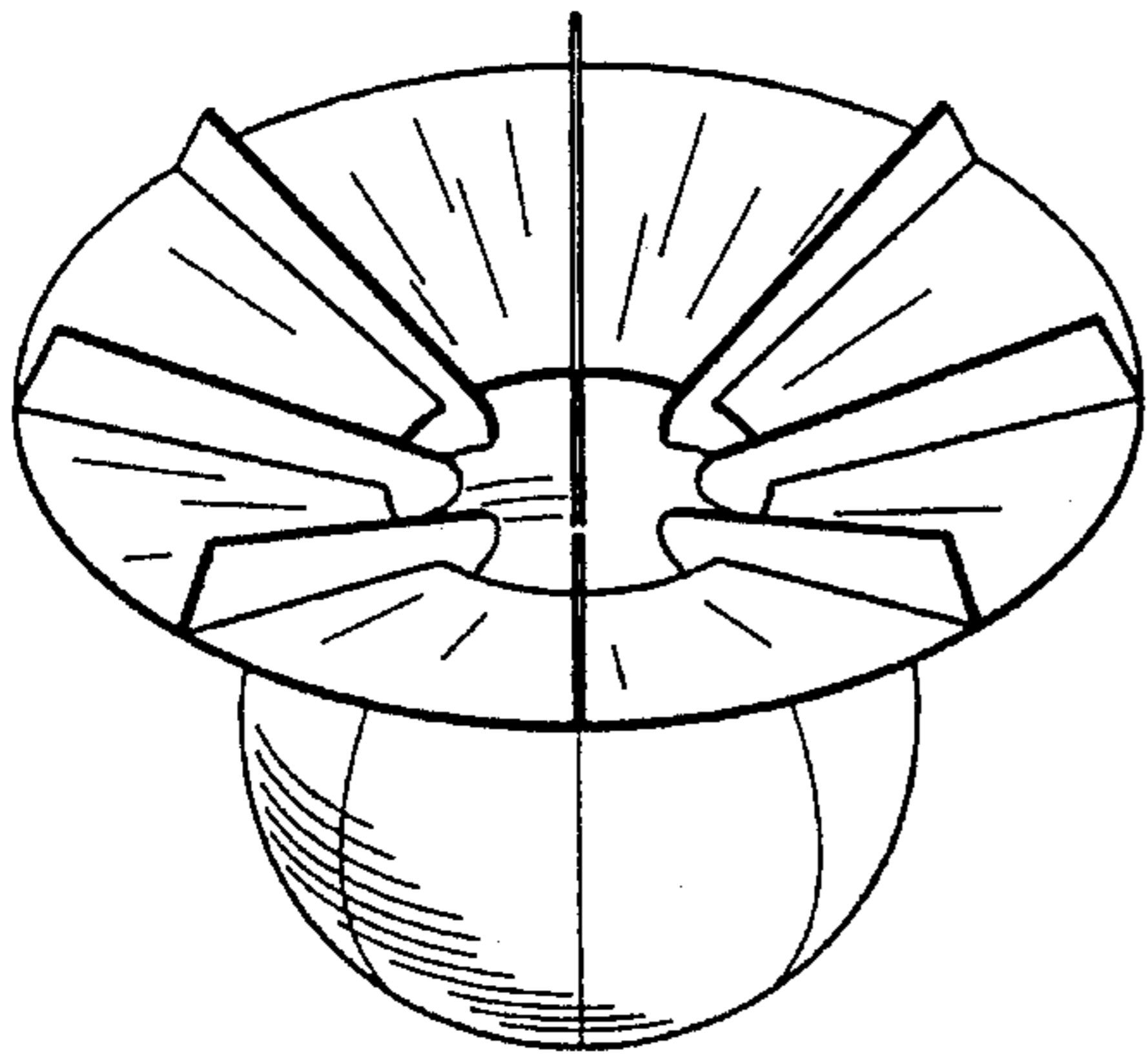


FIG. 1

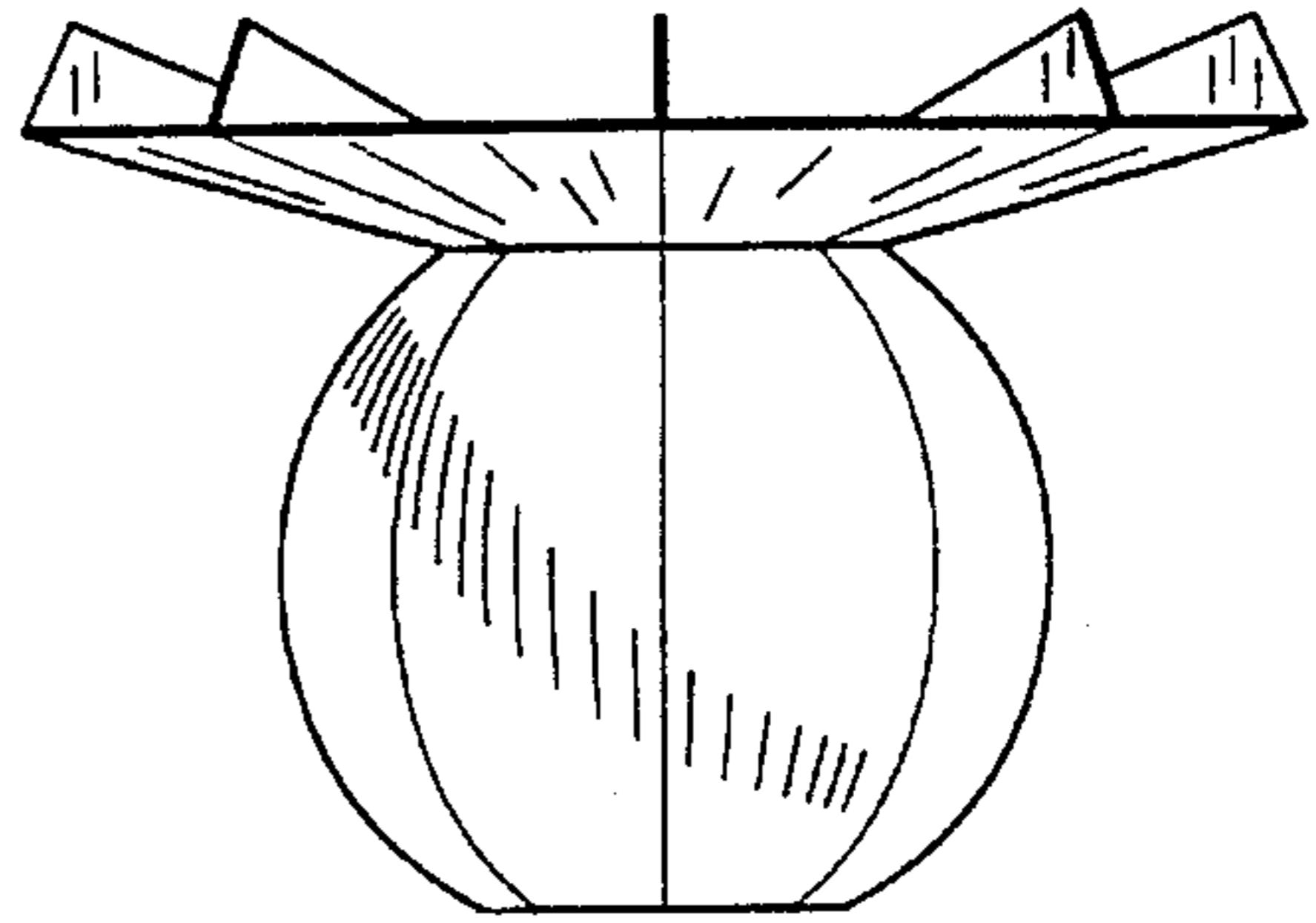


FIG. 2

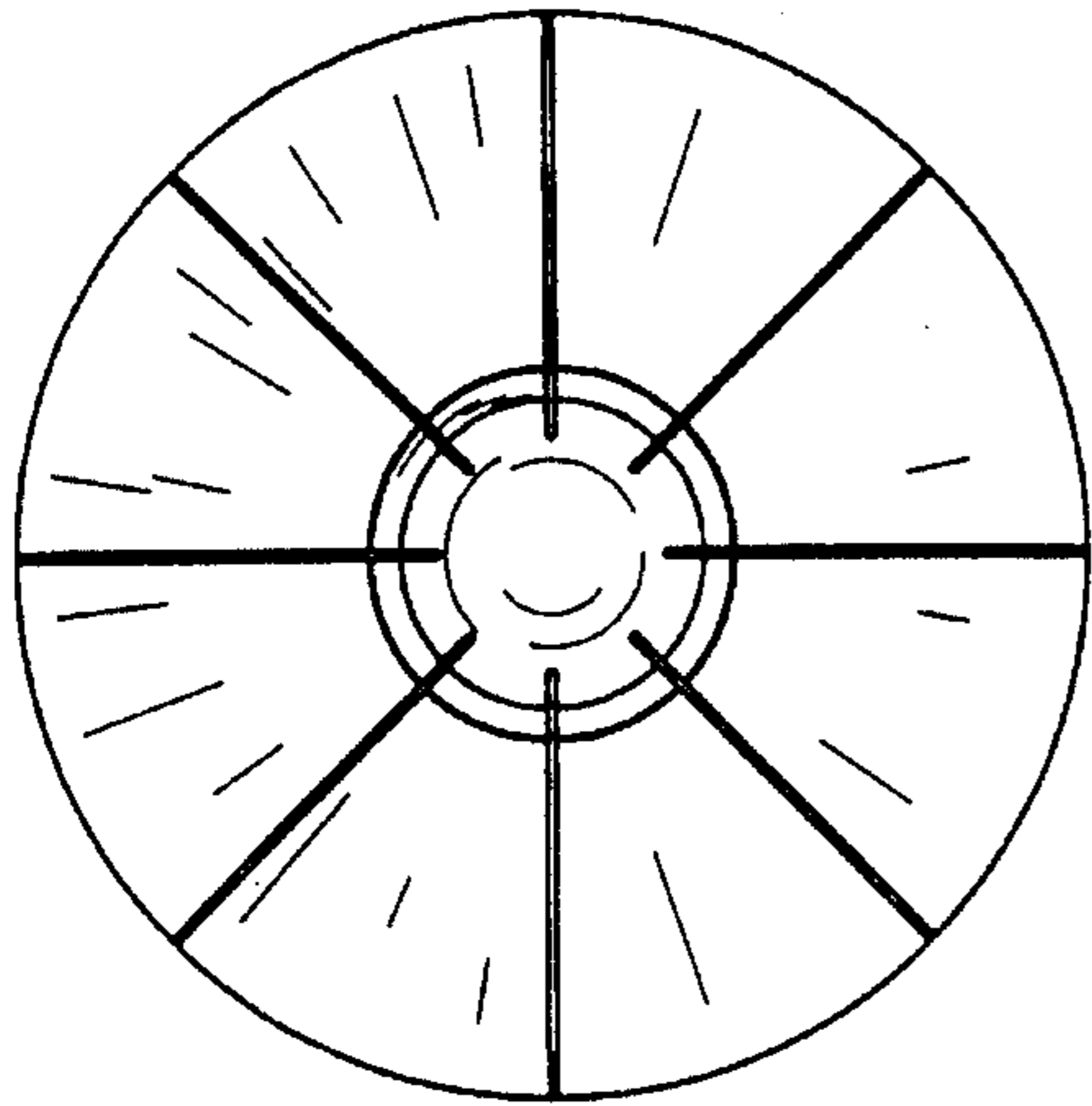


FIG. 3

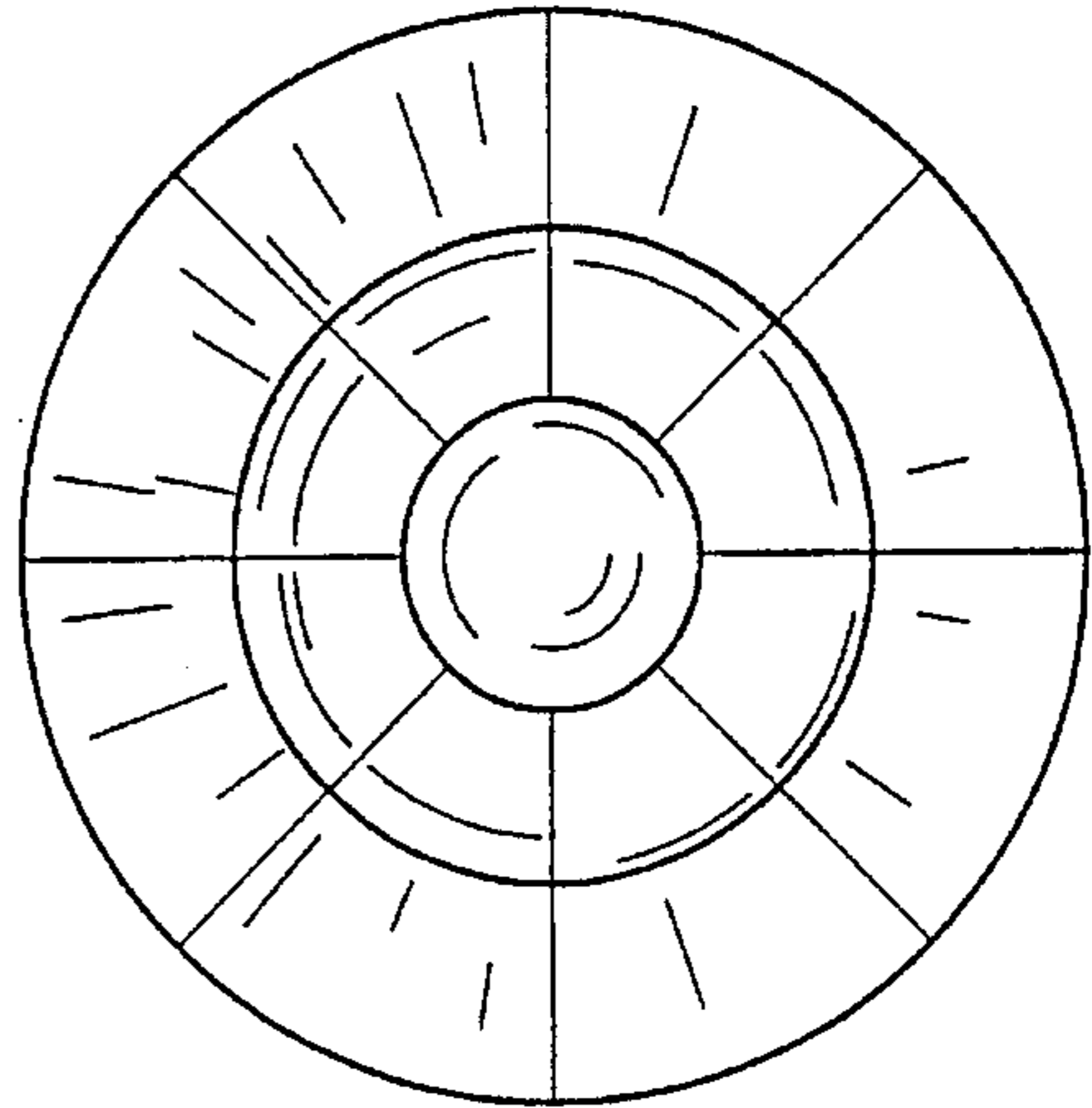


FIG. 4

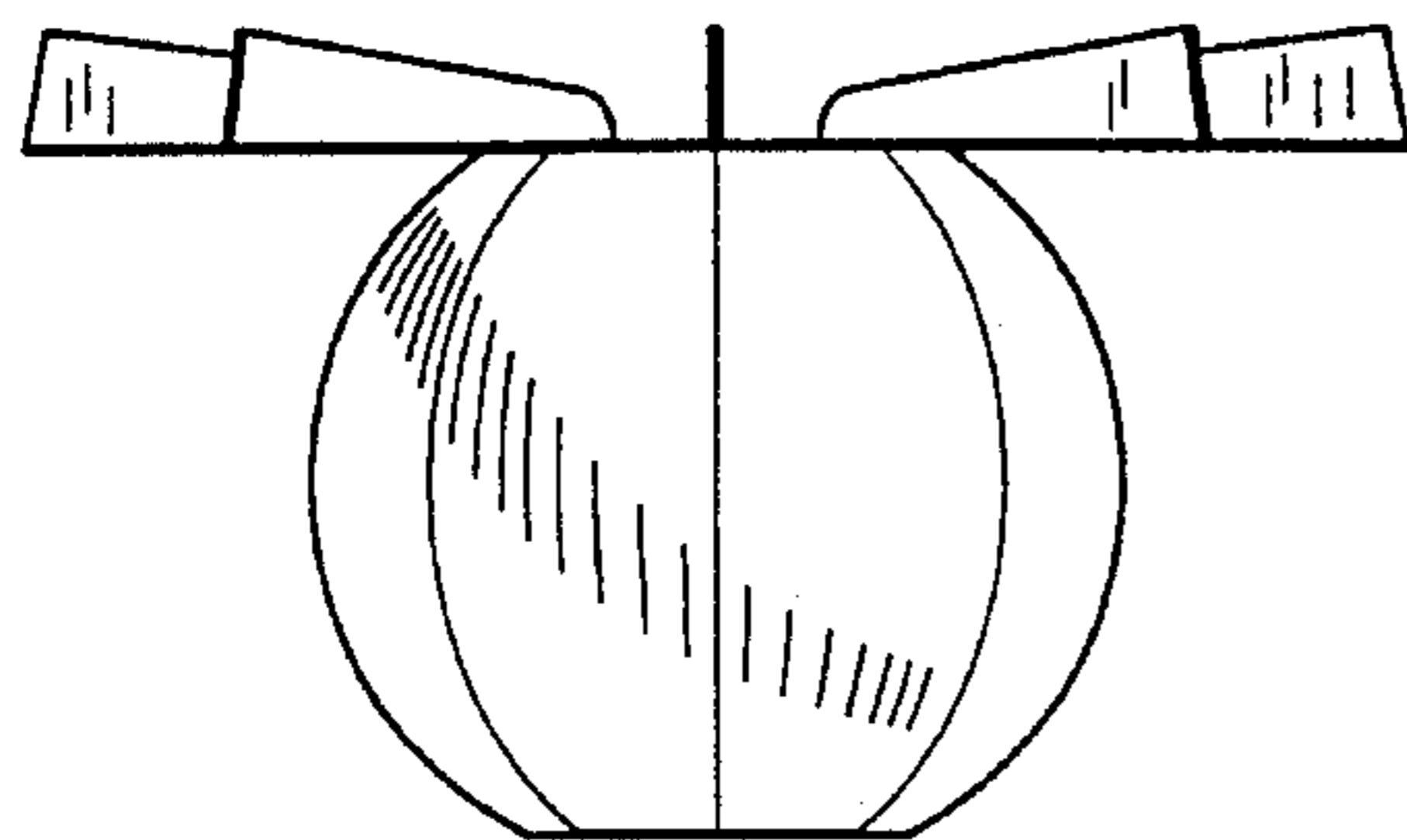


FIG. 5

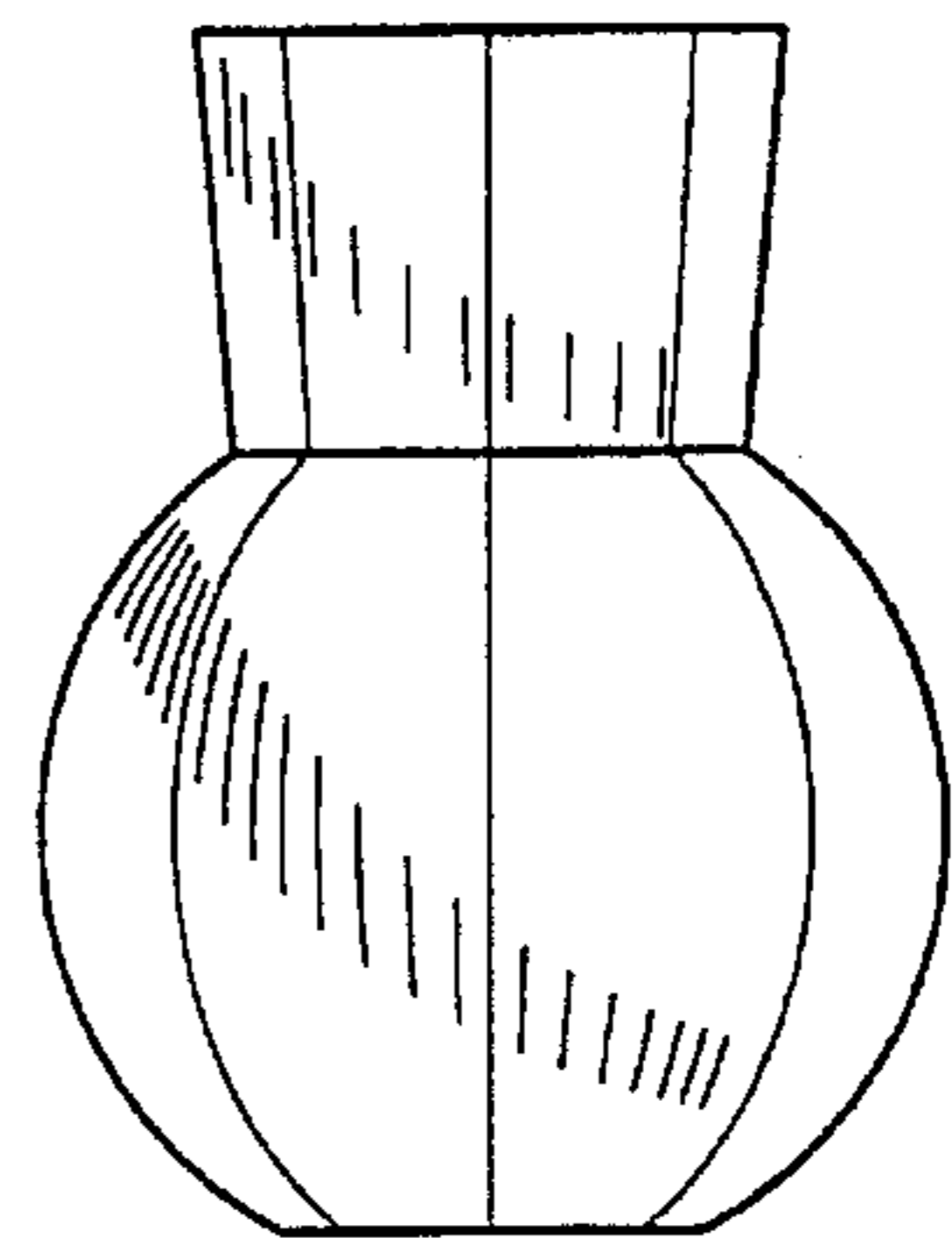


FIG. 6

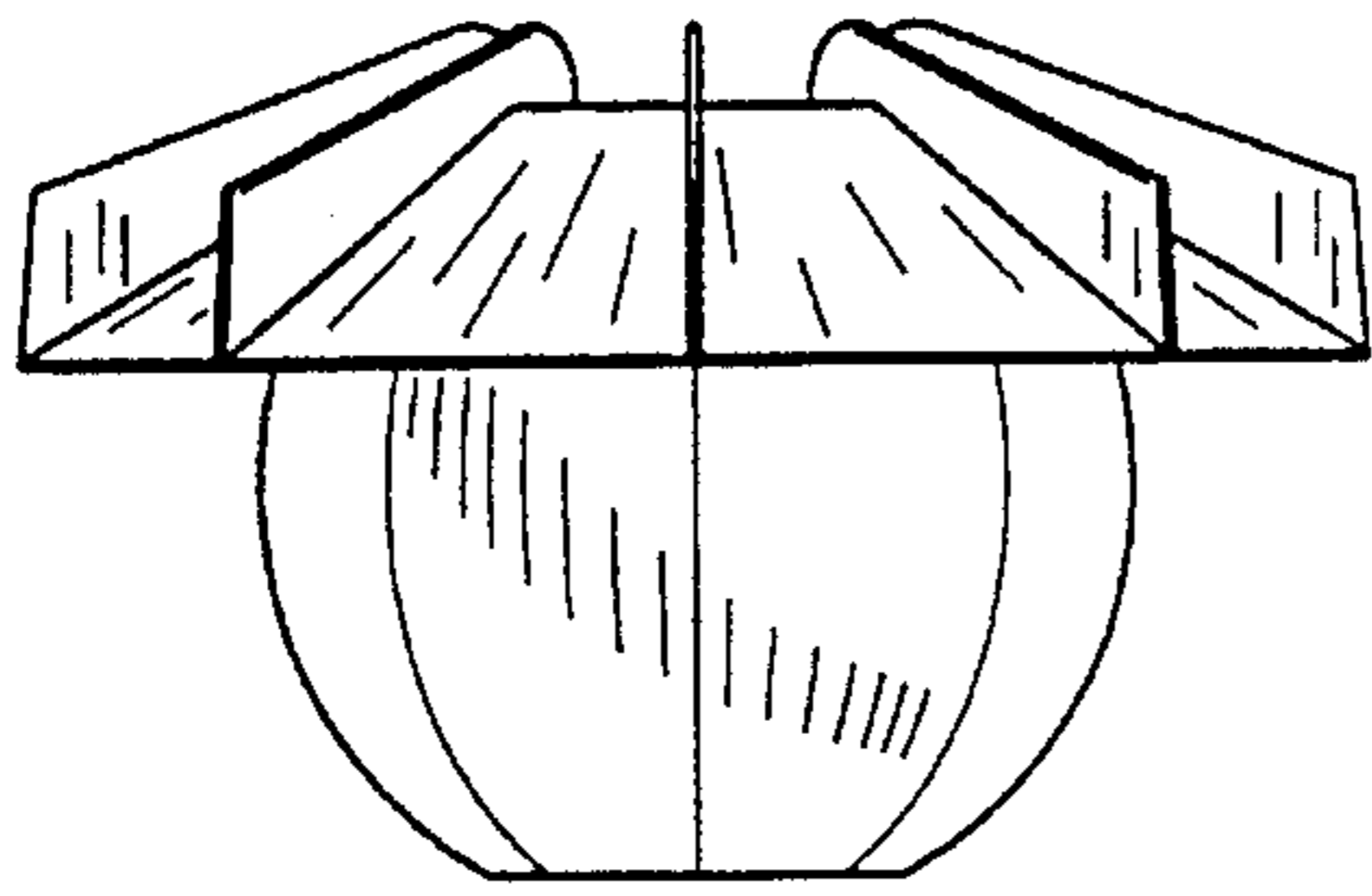


FIG. 7

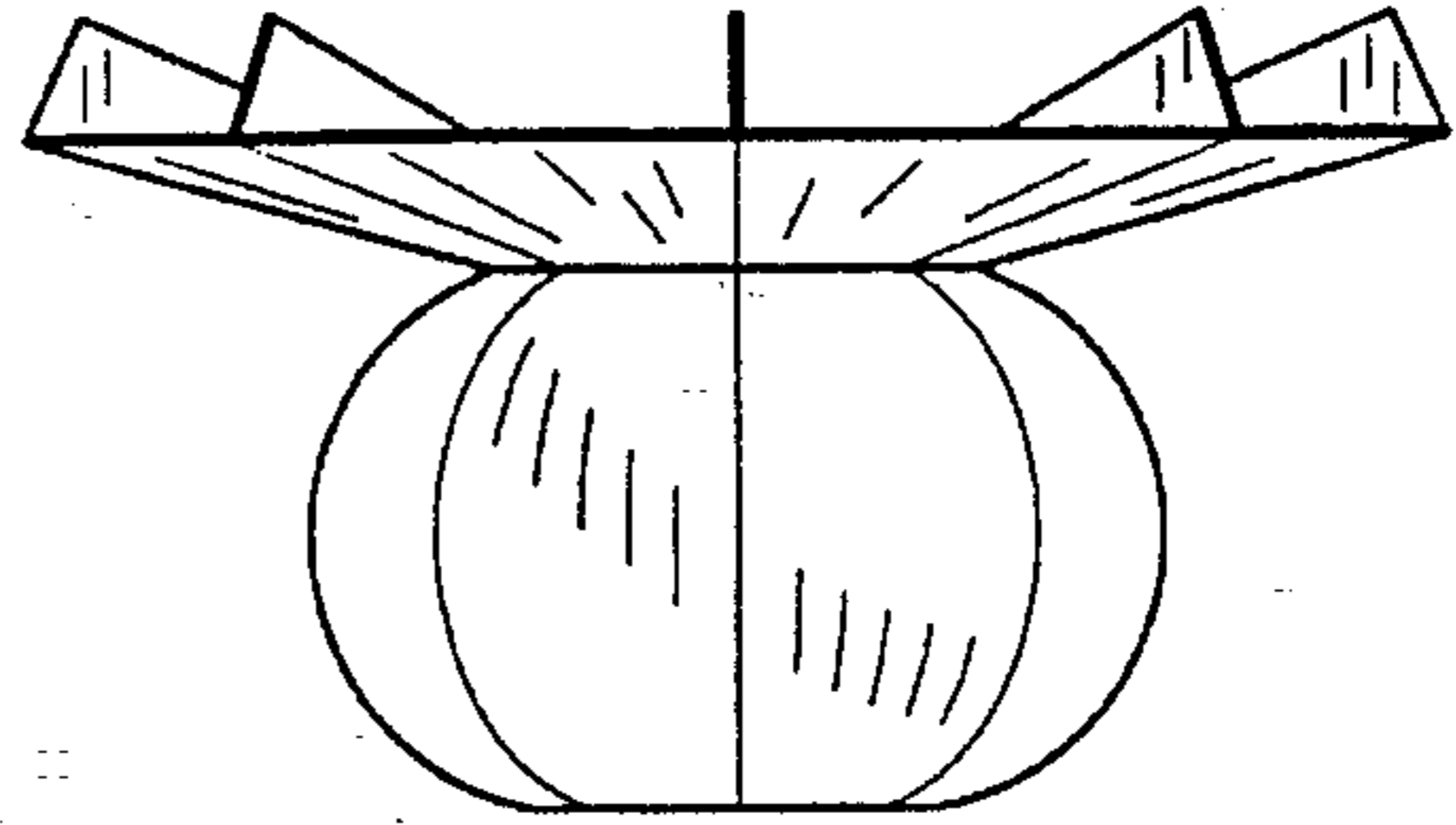


FIG. 8

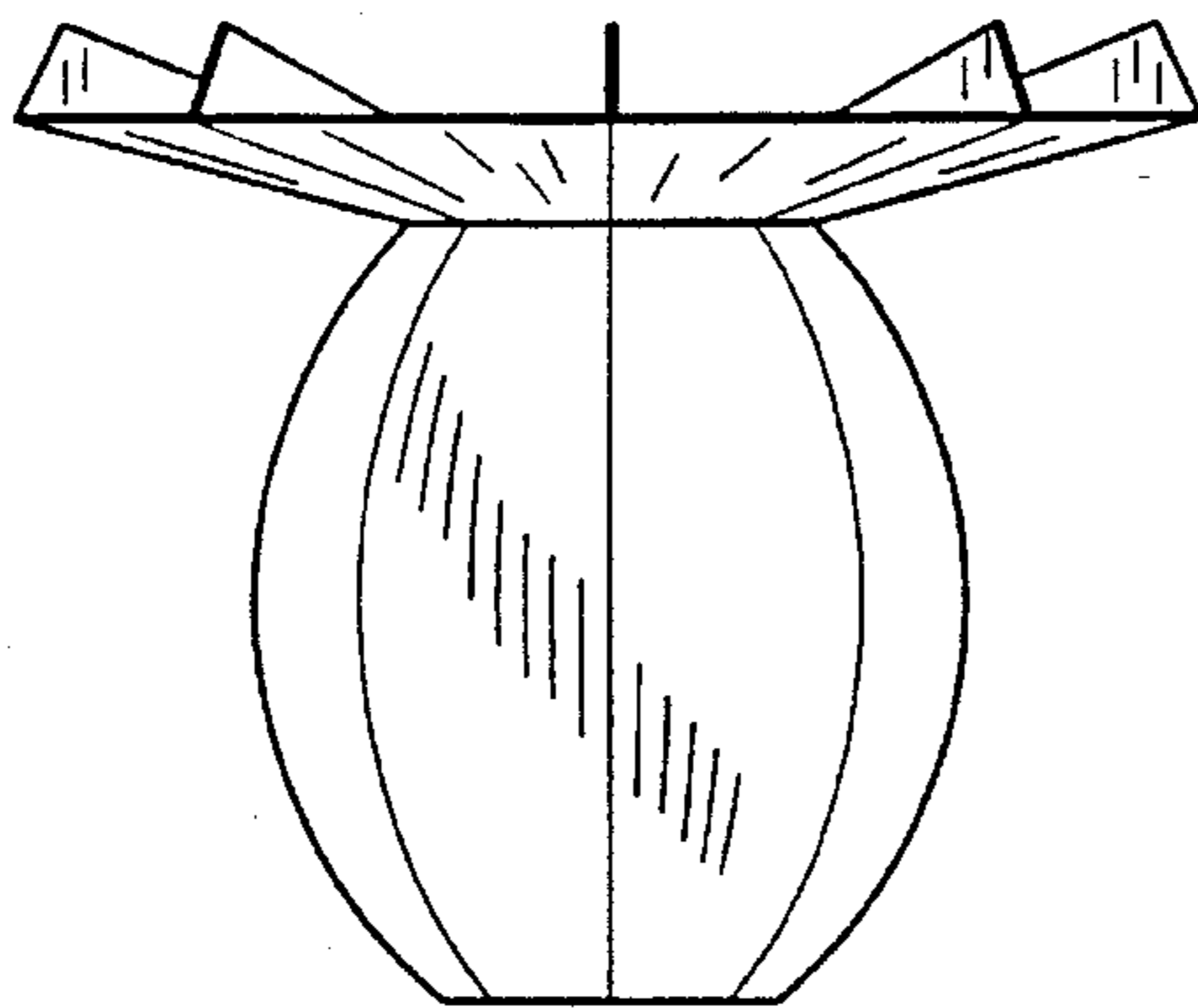


FIG. 9

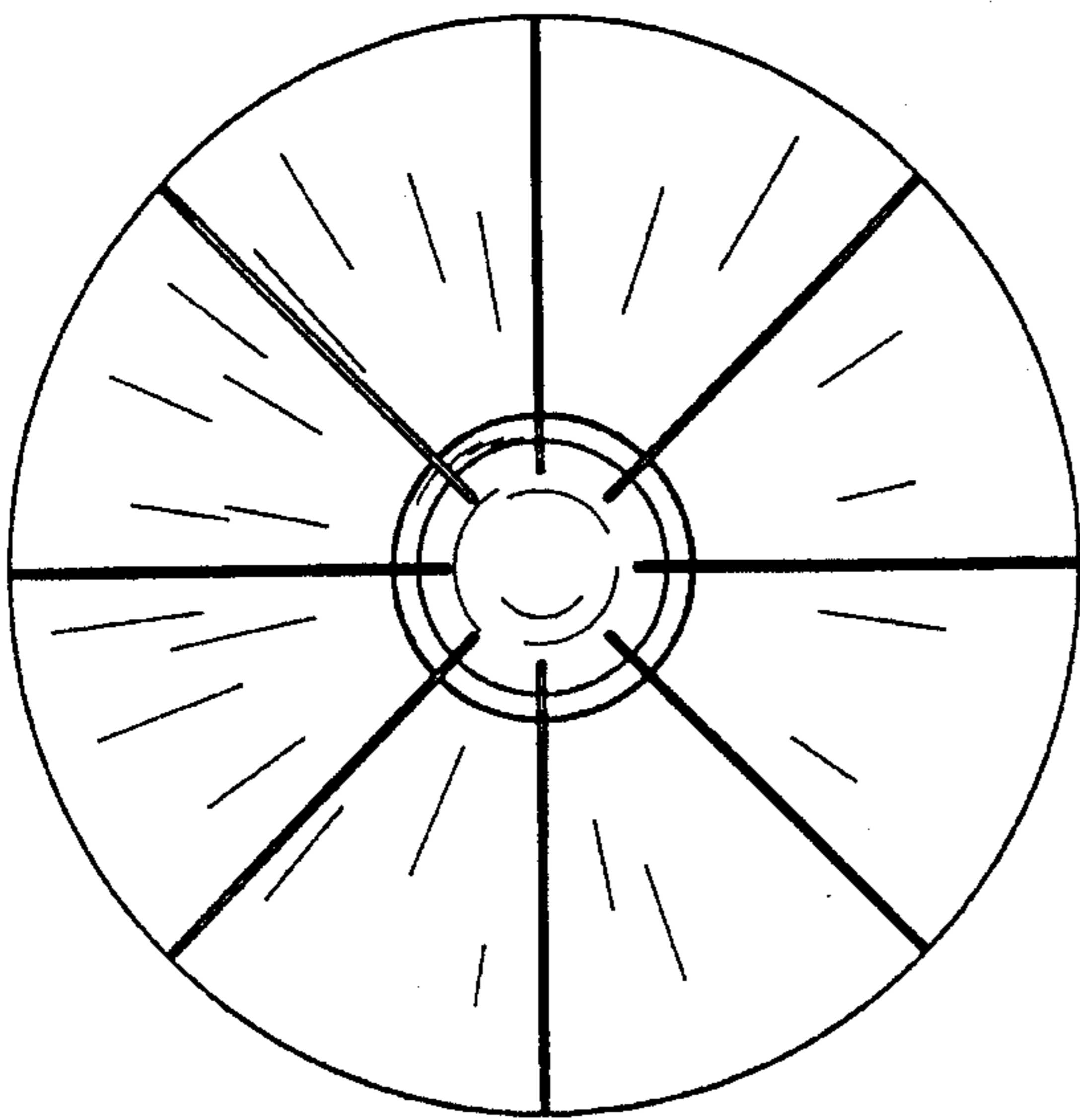


FIG. 10

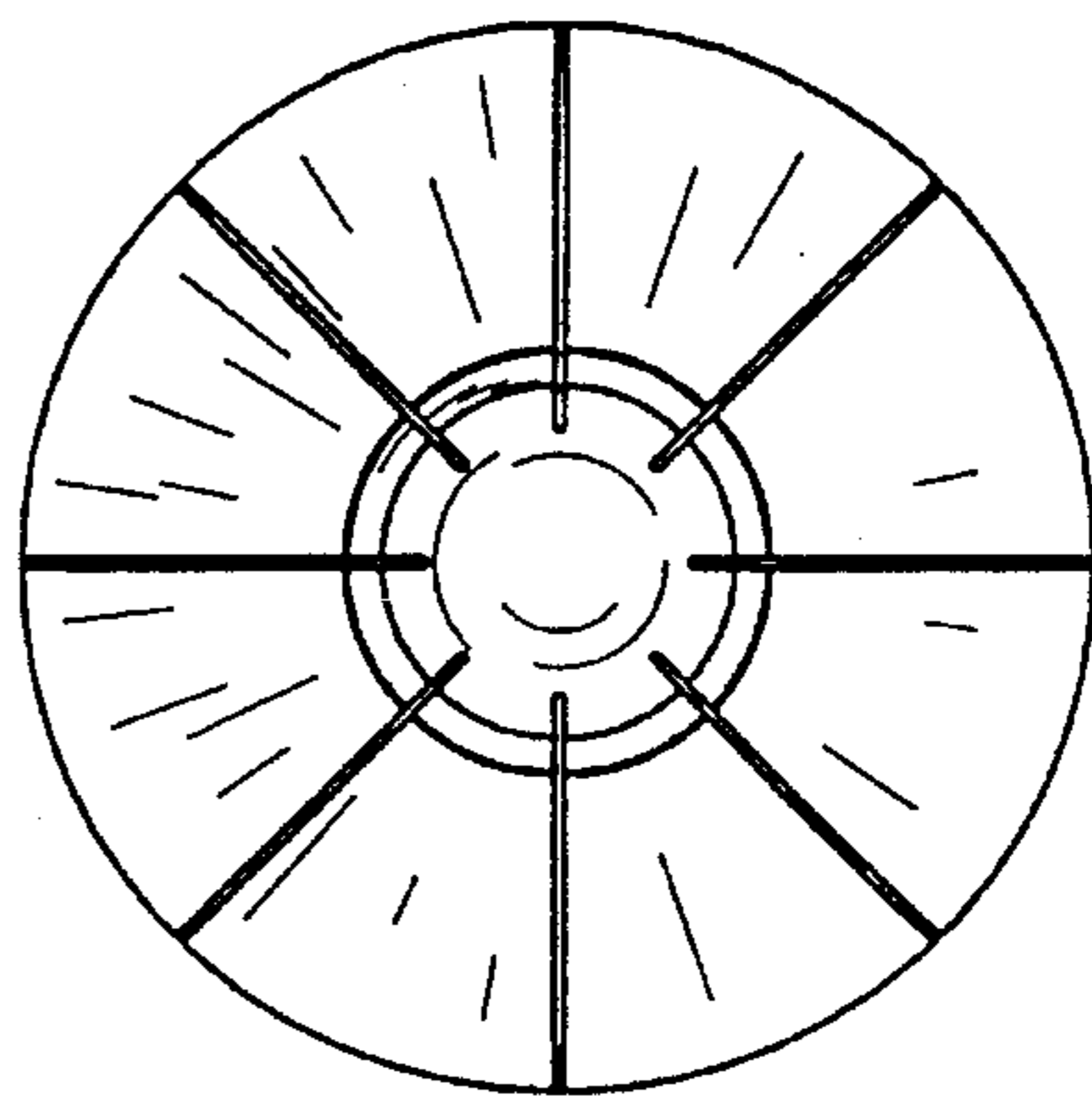


FIG. 11

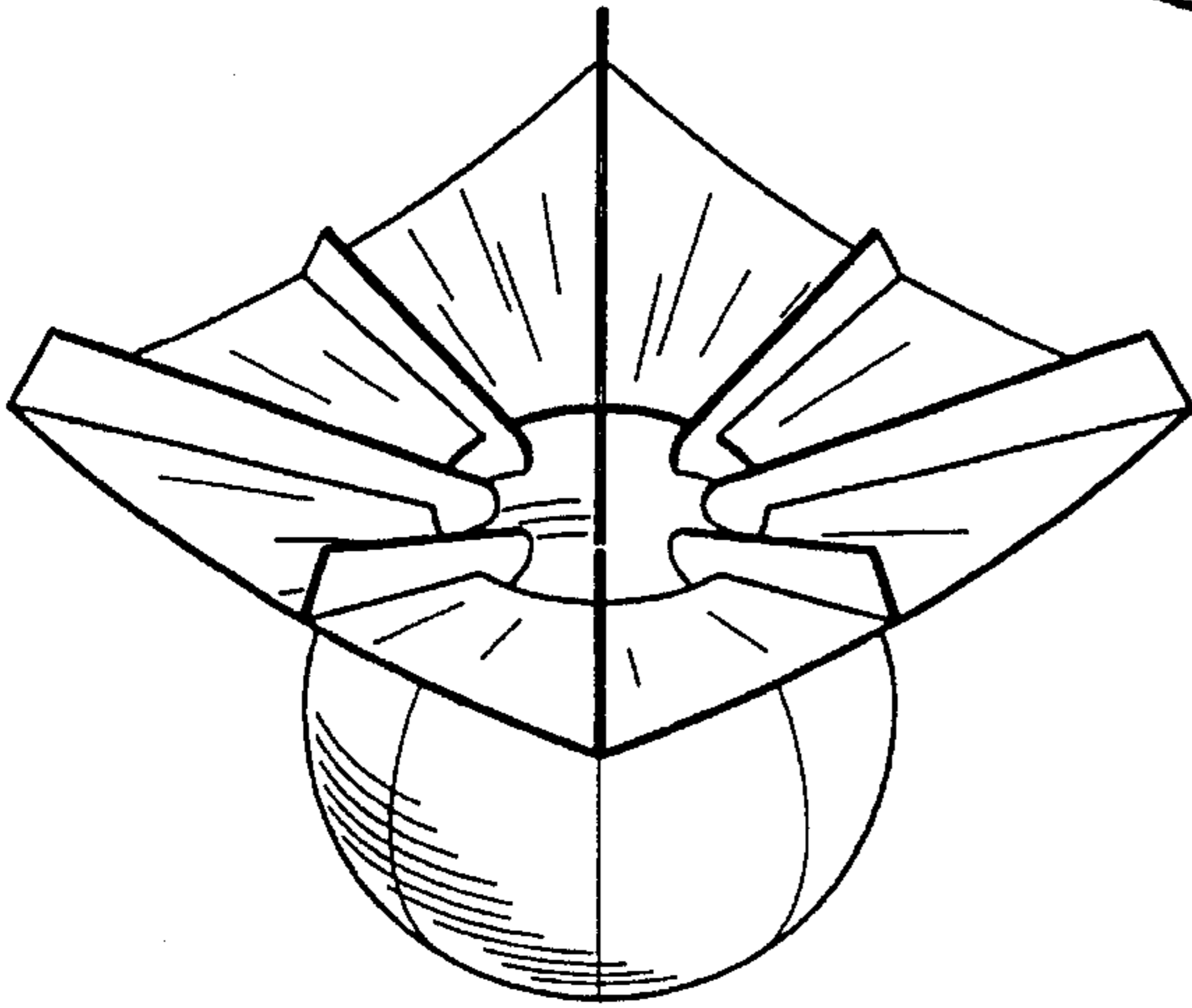


FIG. 12

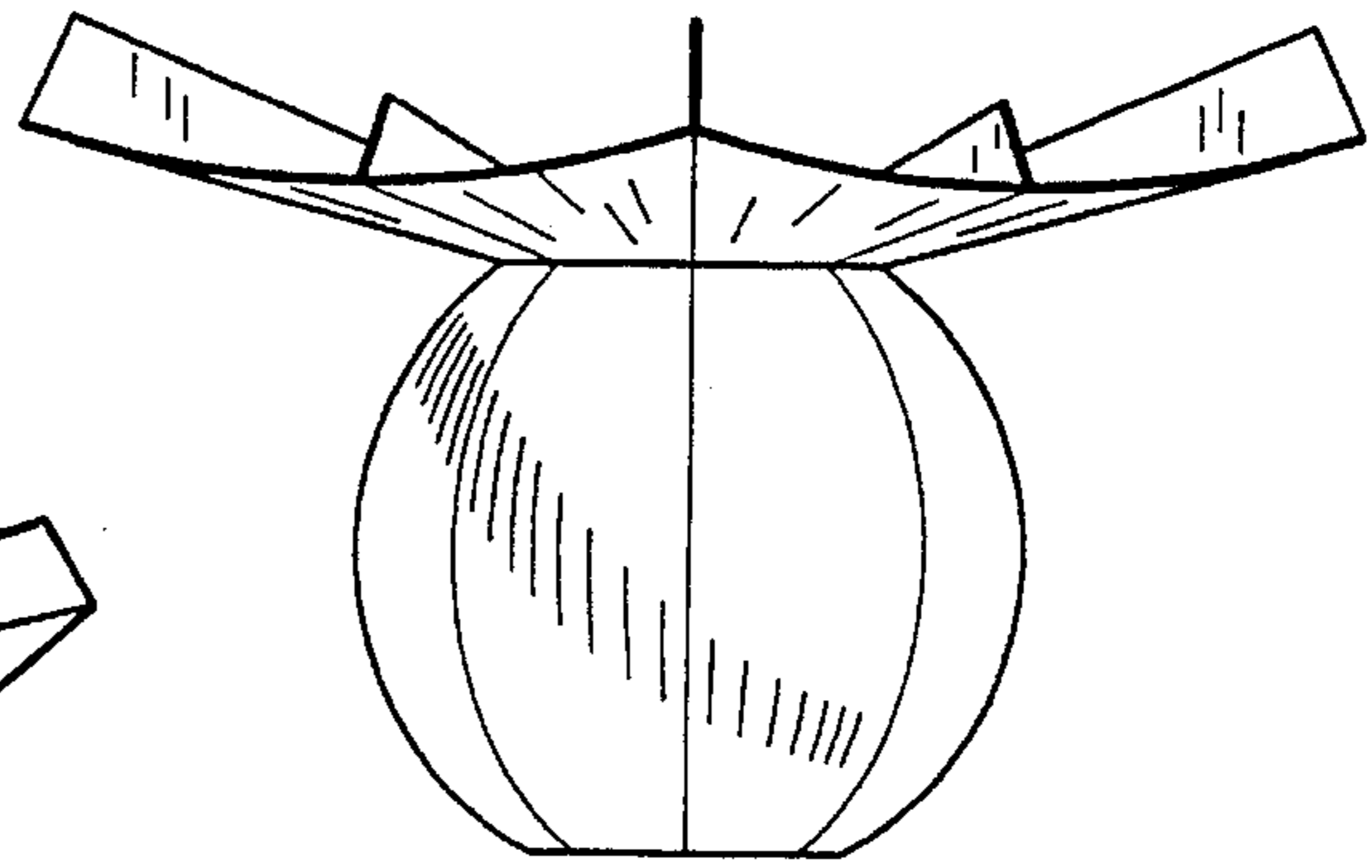


FIG. 13

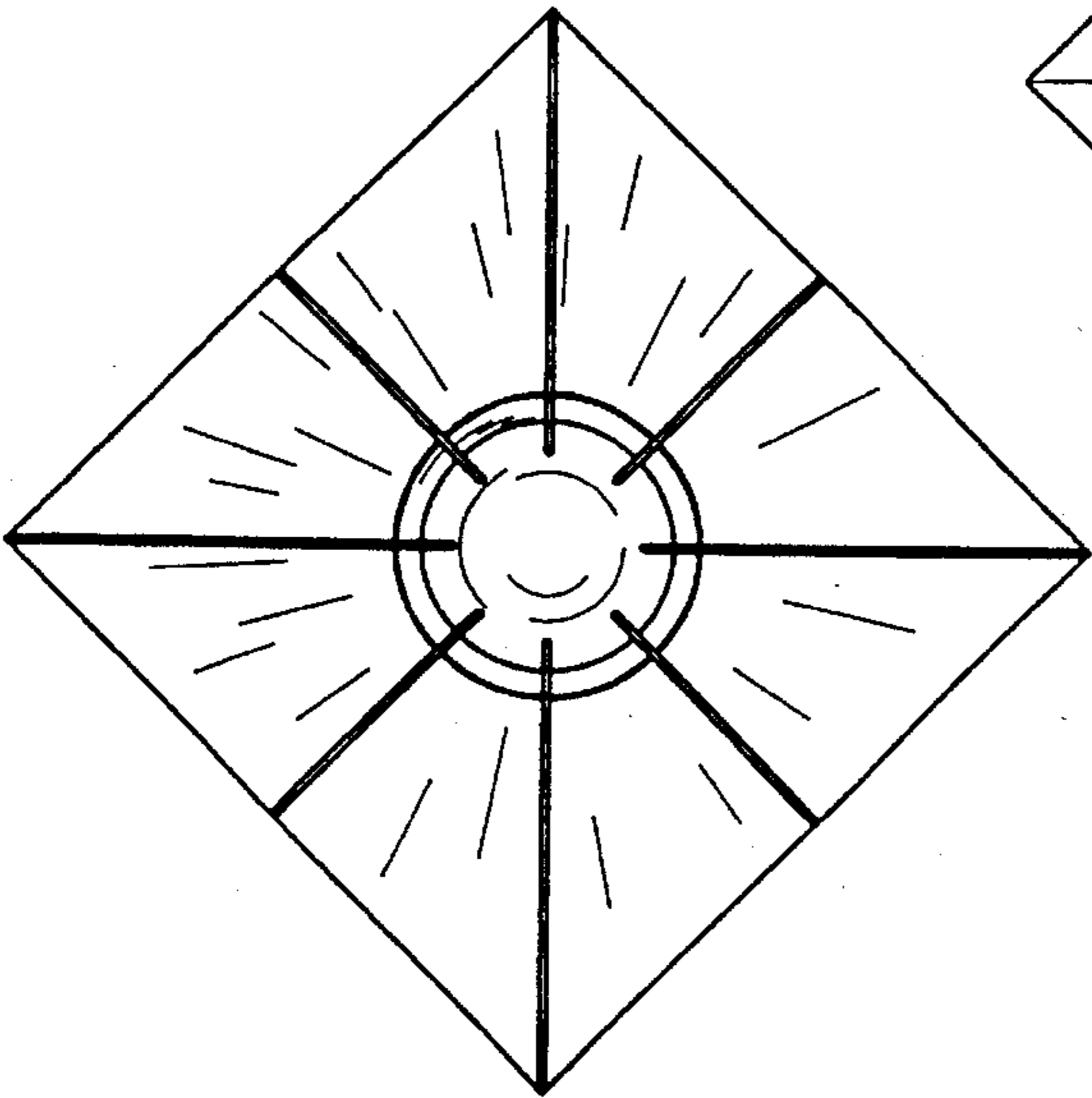


FIG. 14

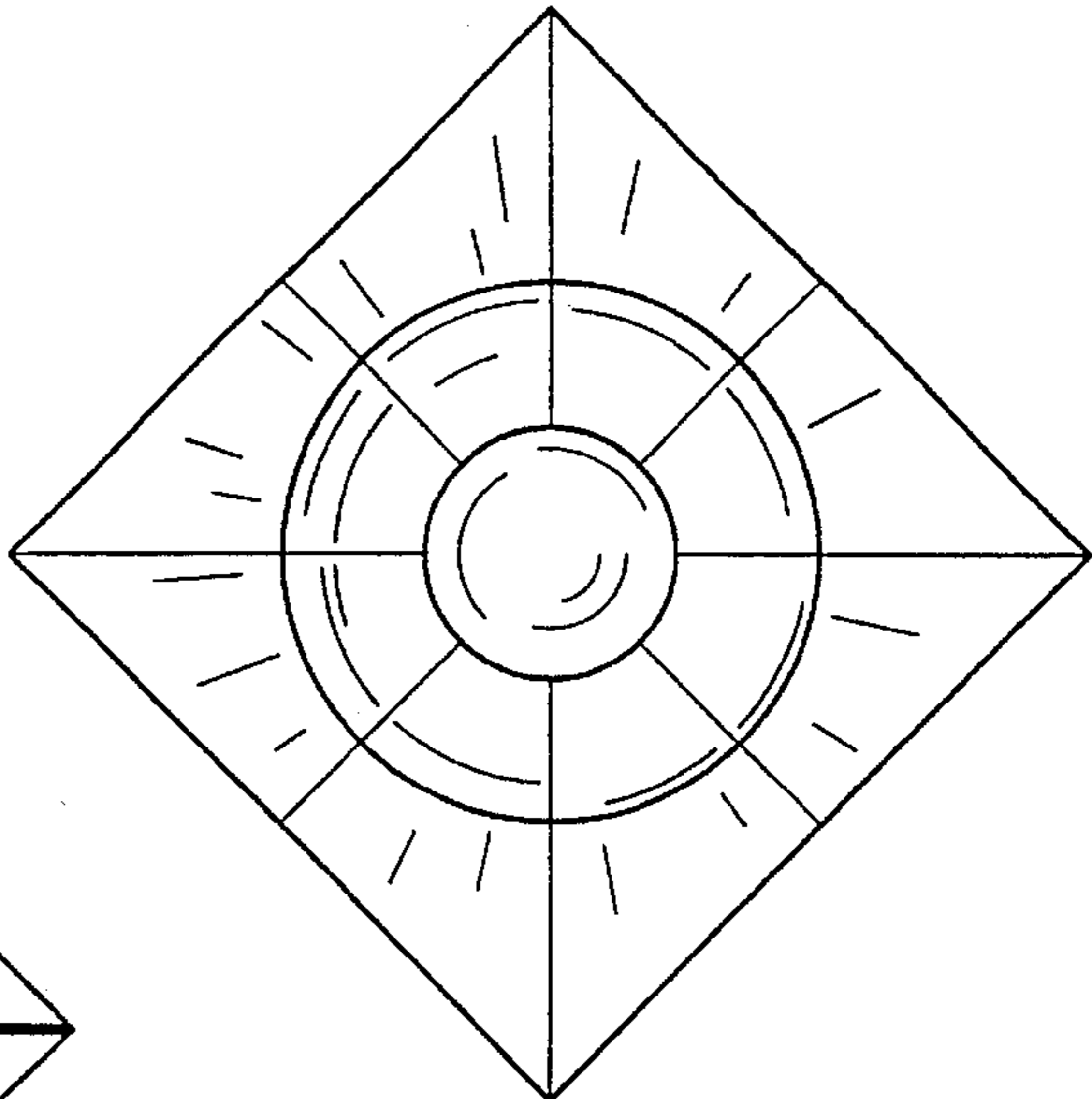


FIG. 15

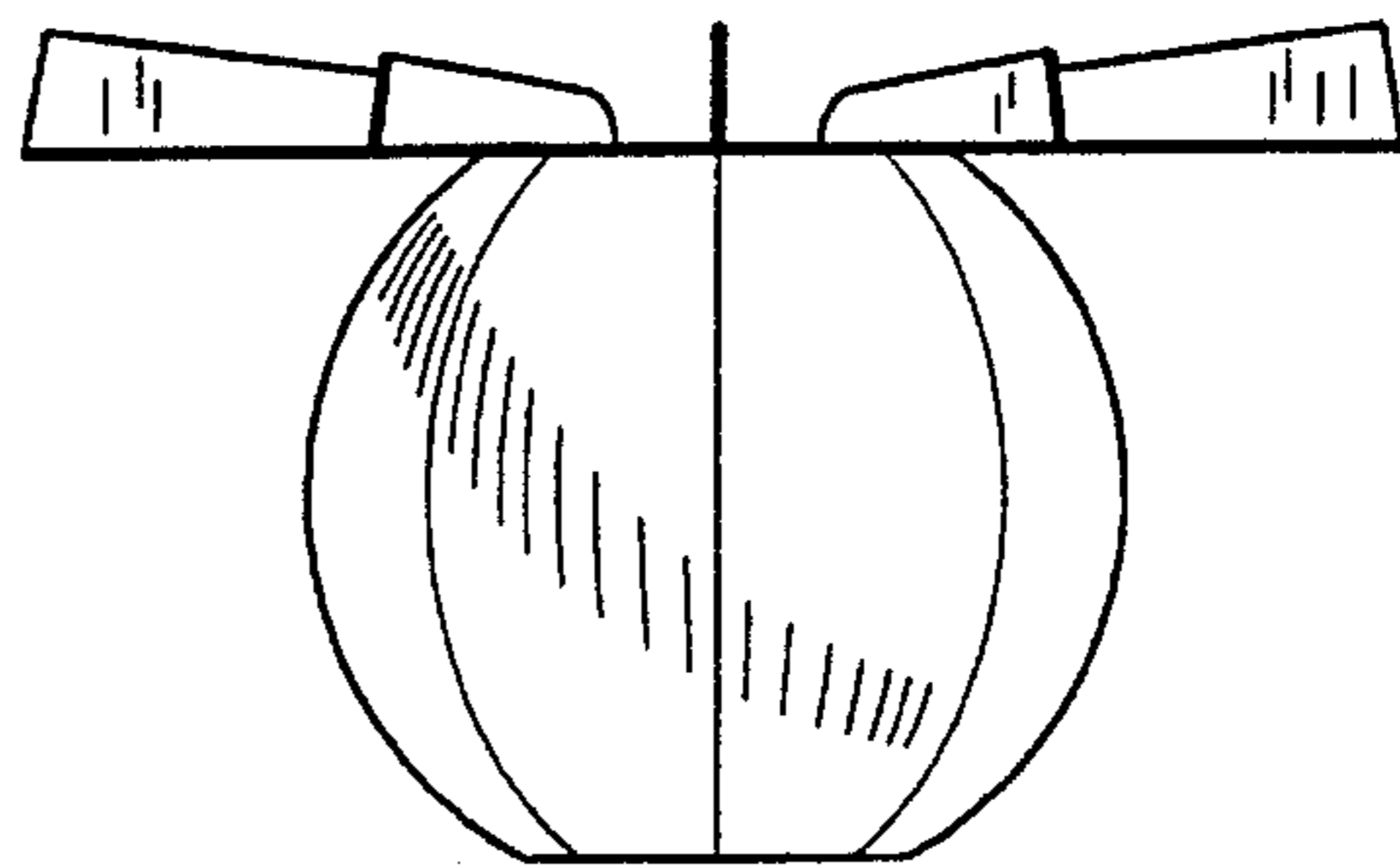


FIG. 16

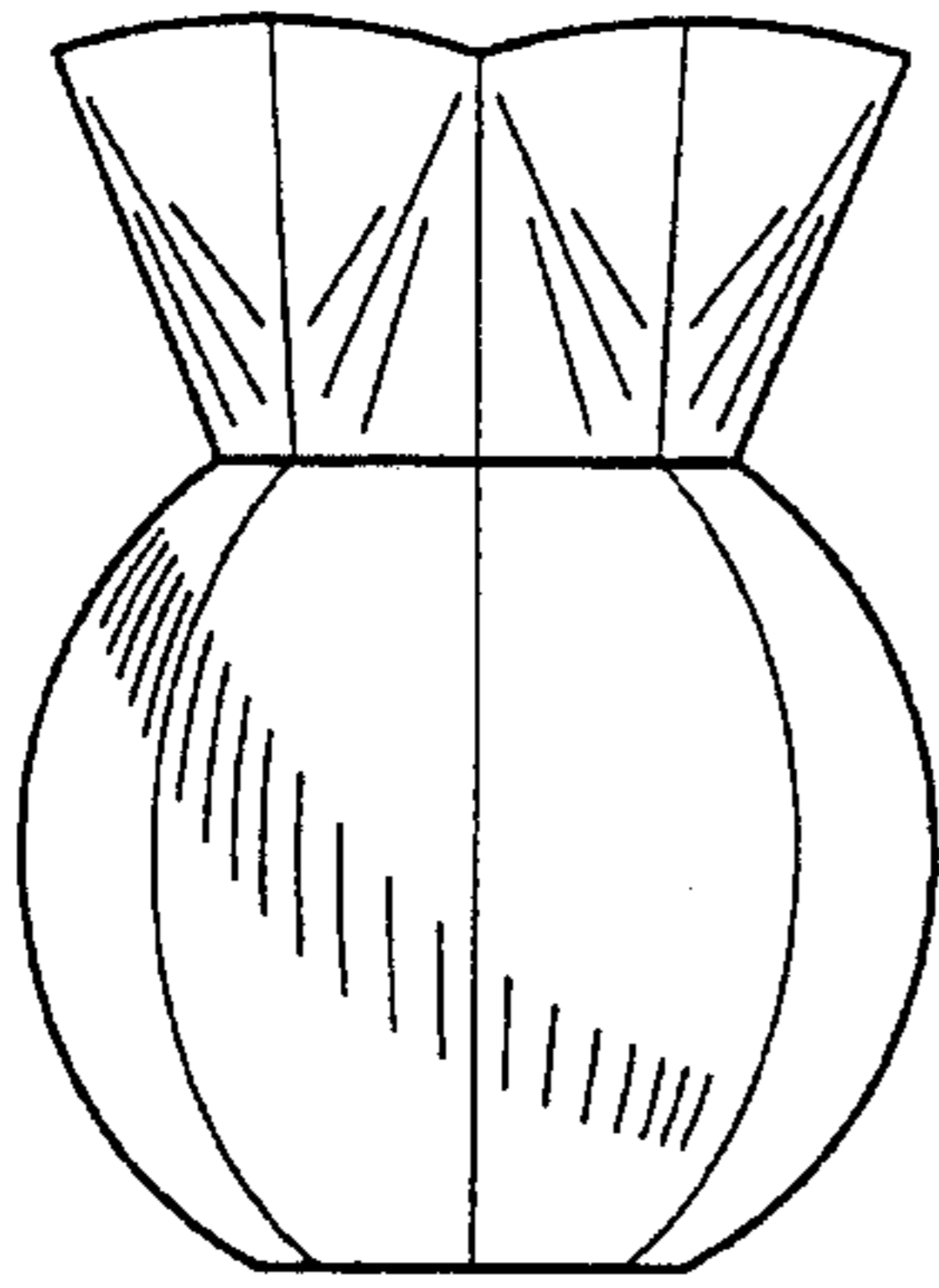


FIG. 17

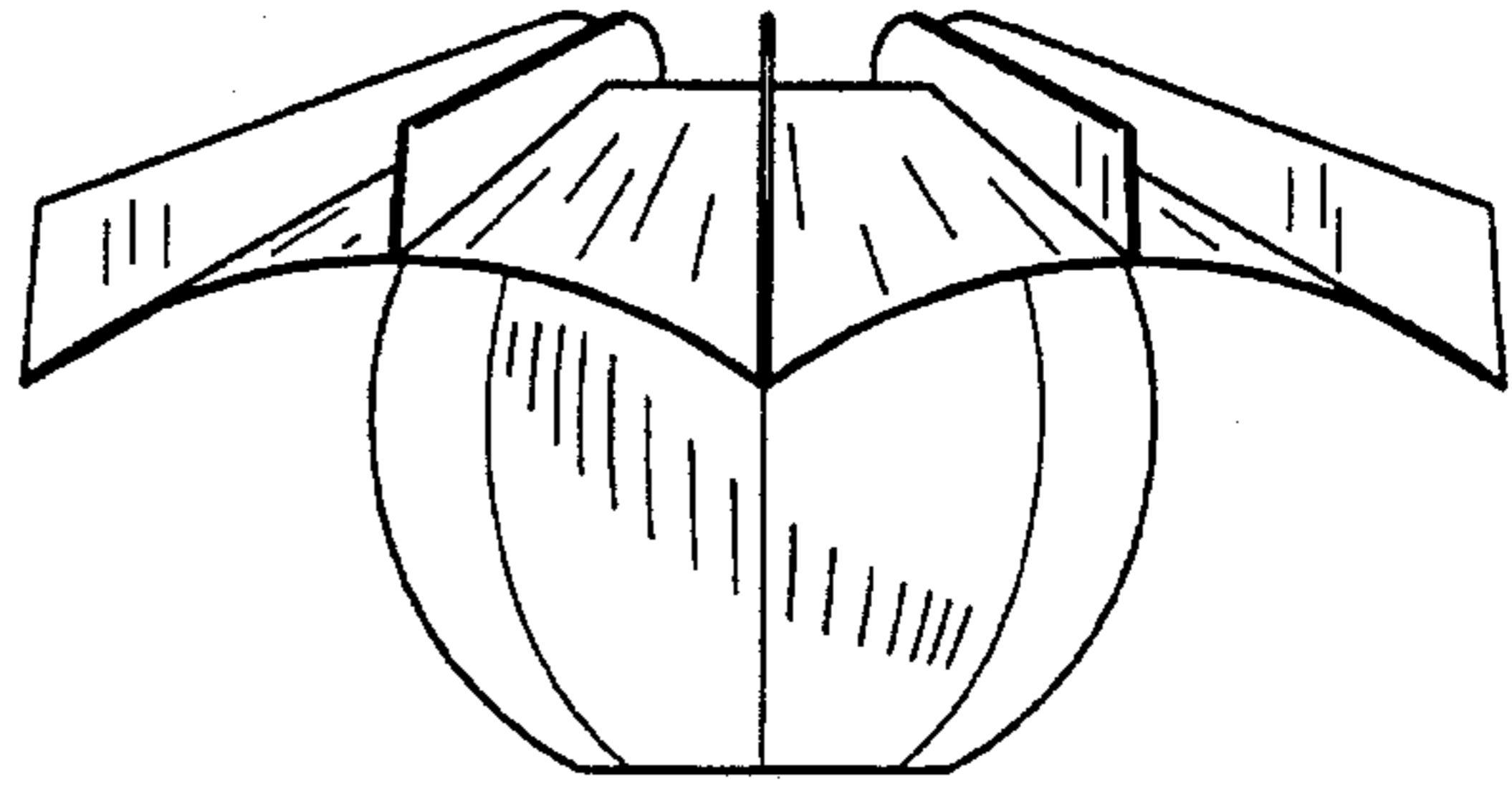


FIG. 18

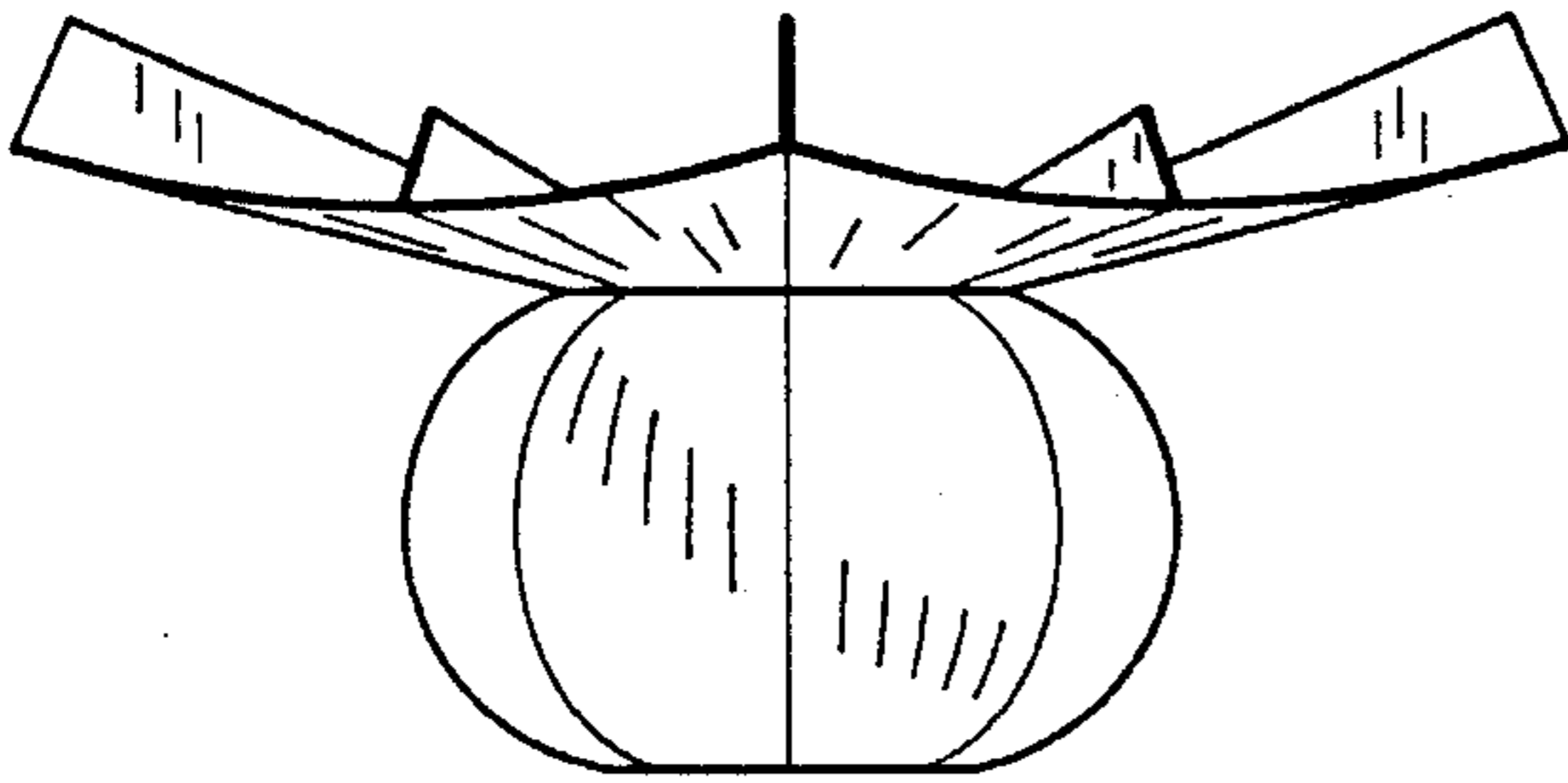


FIG. 19

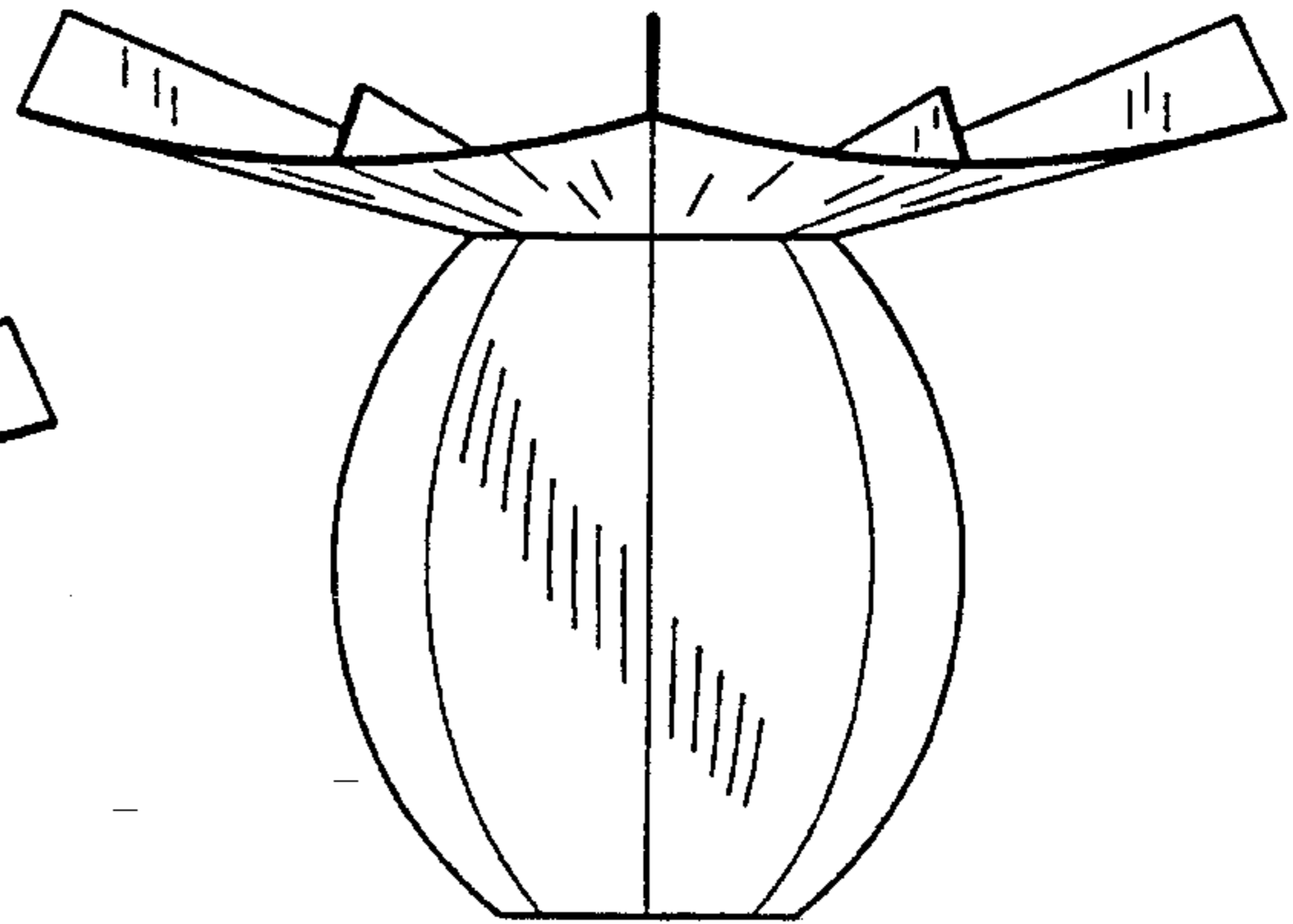


FIG. 20

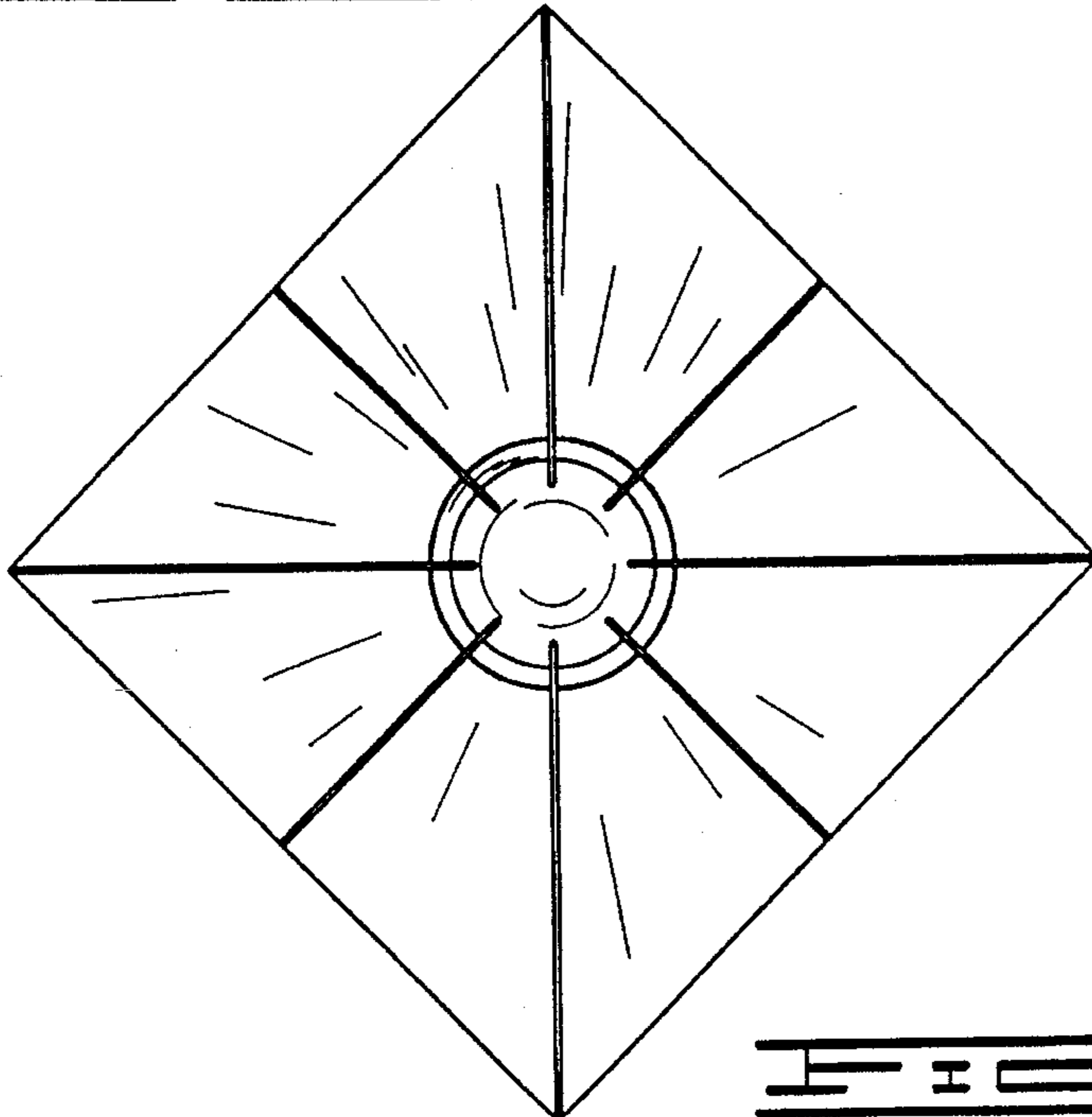


FIG. 21

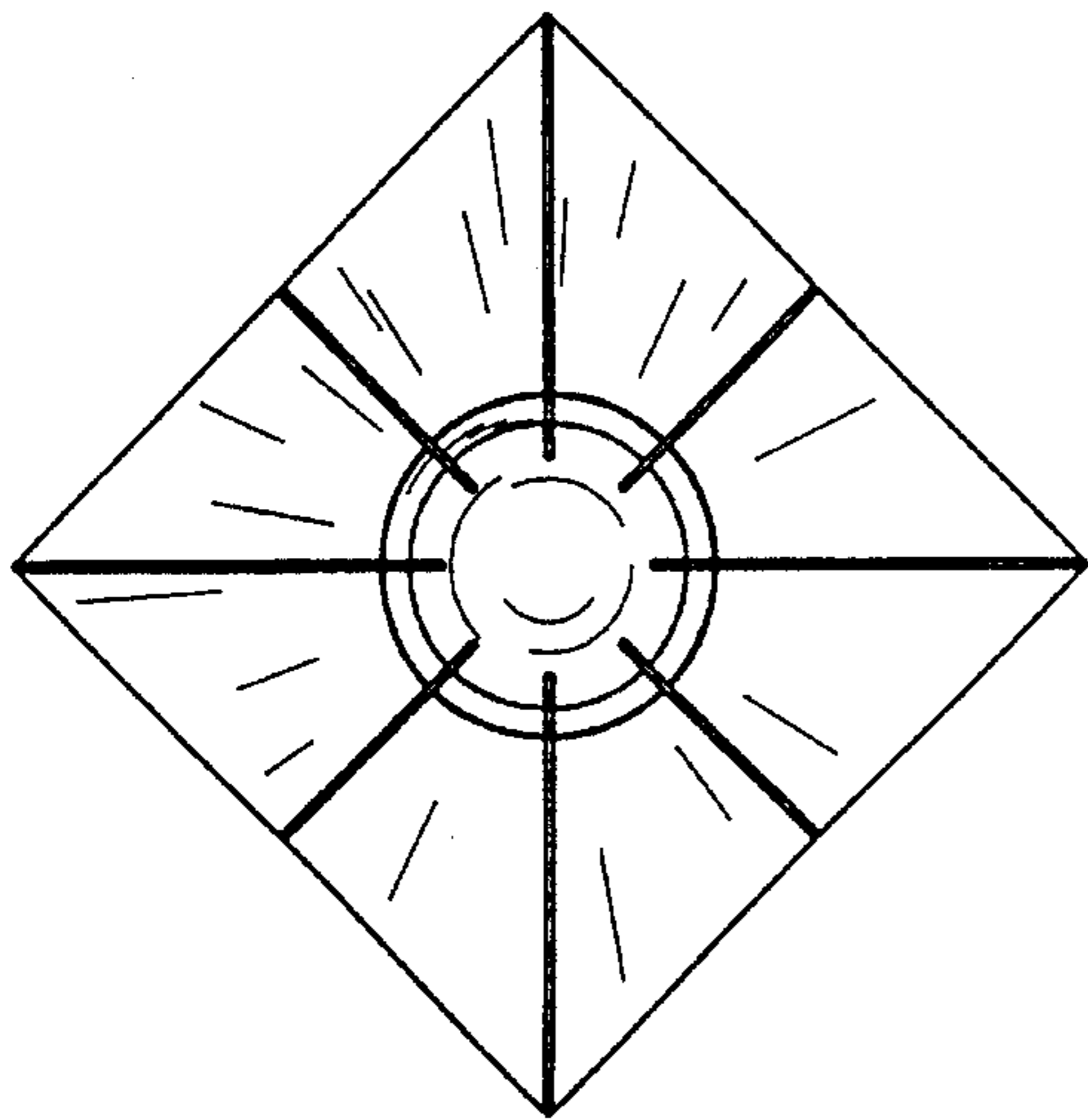


FIG. 22

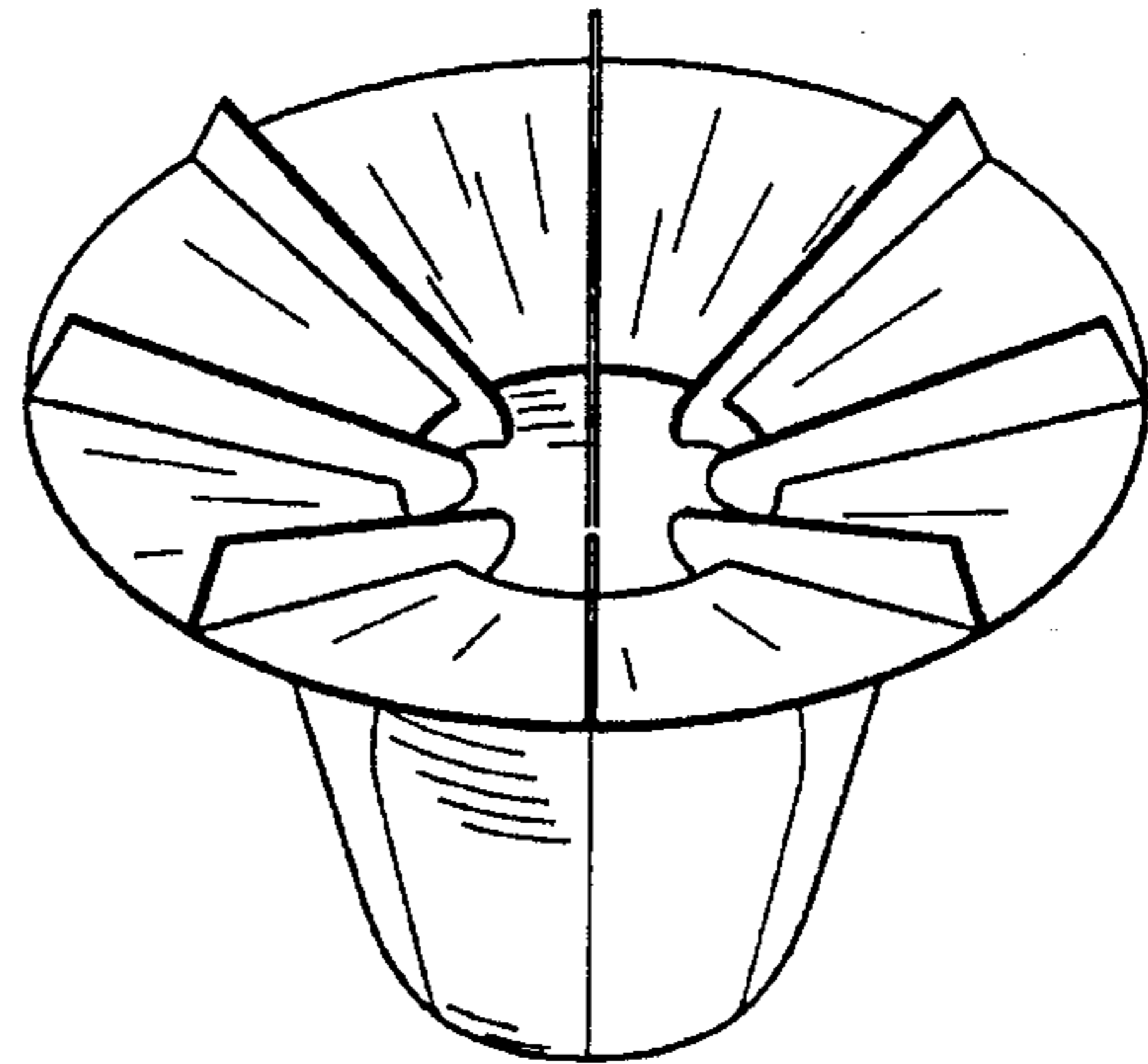


FIG. 23

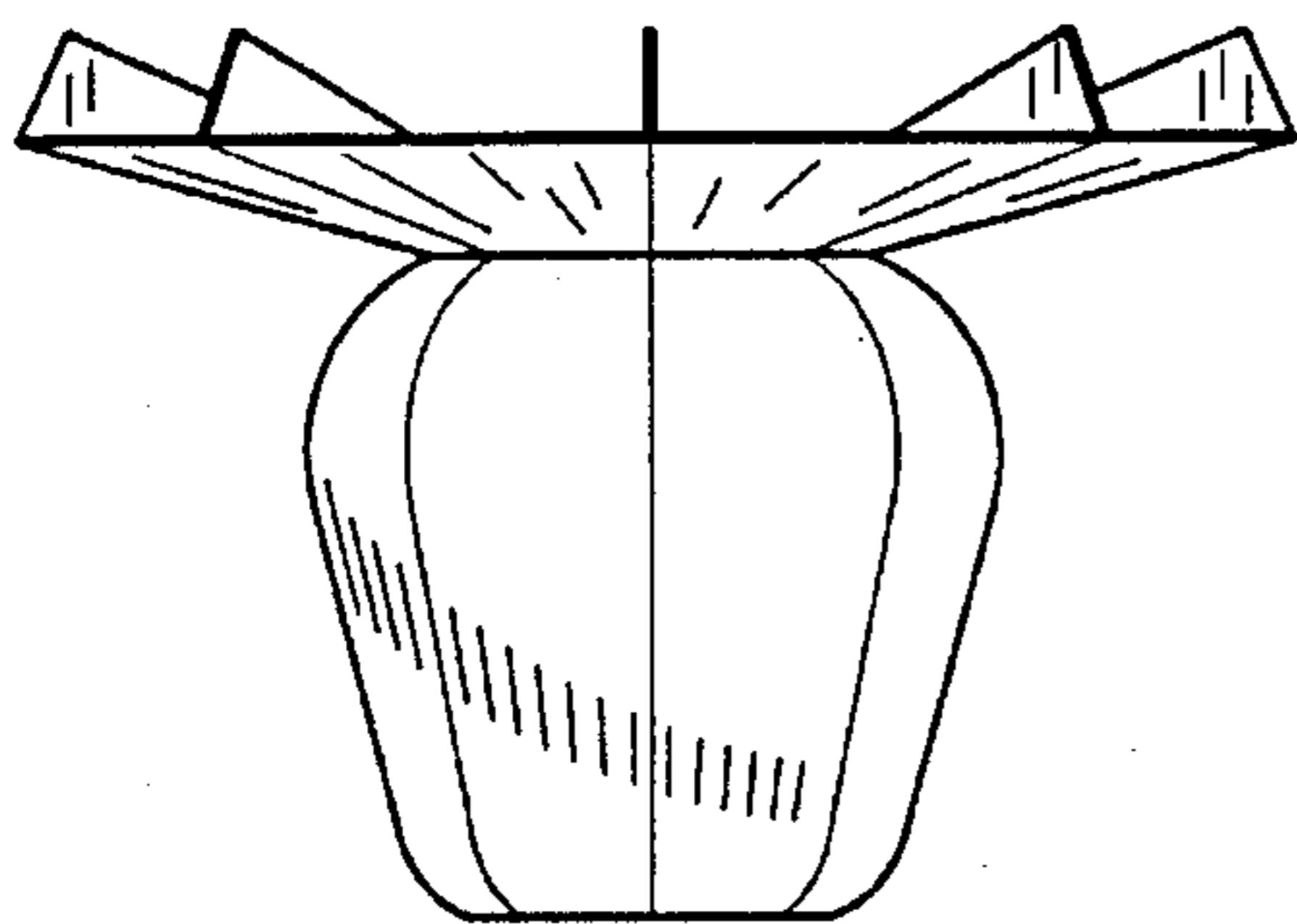


FIG. 24

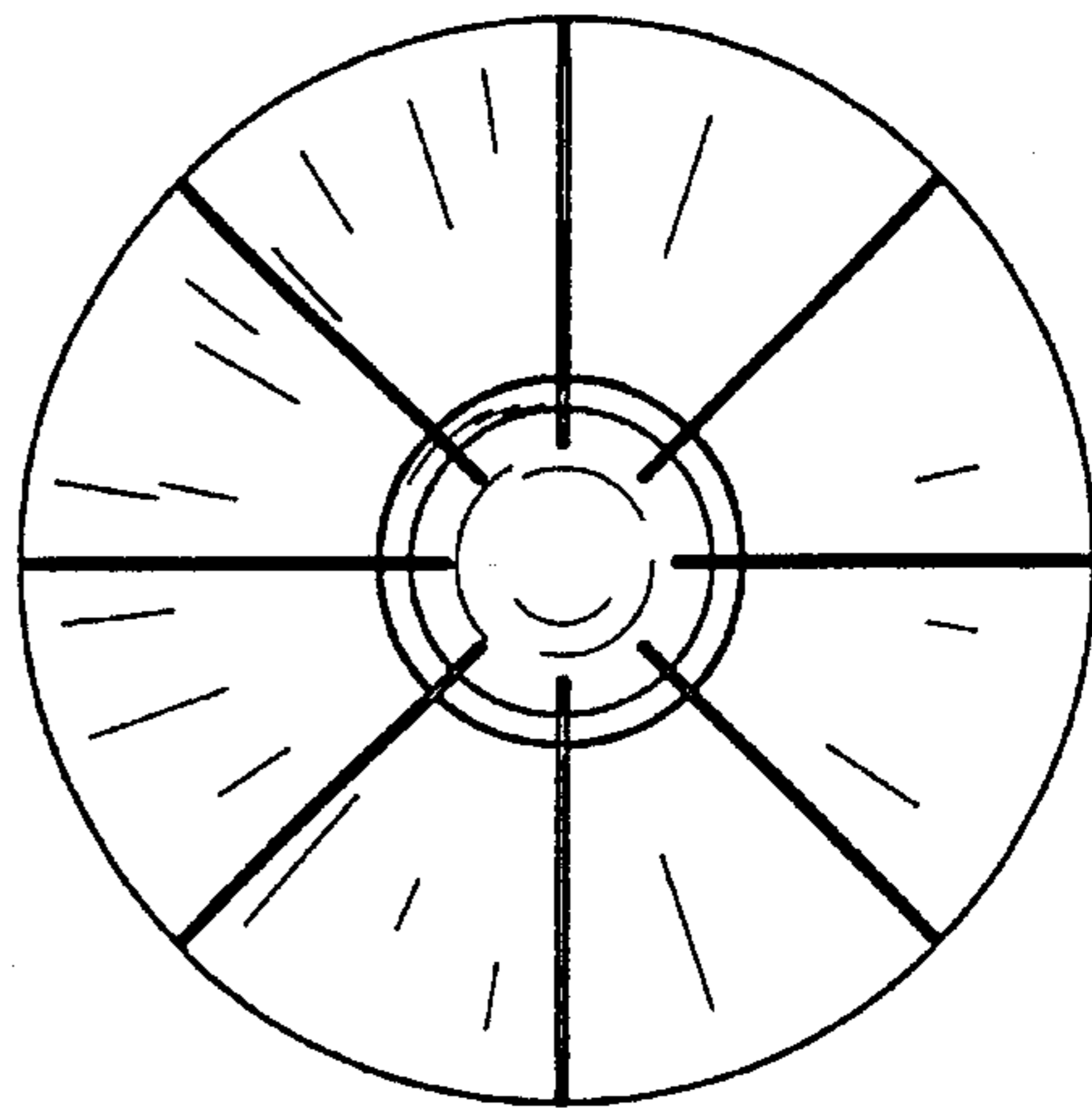


FIG. 25

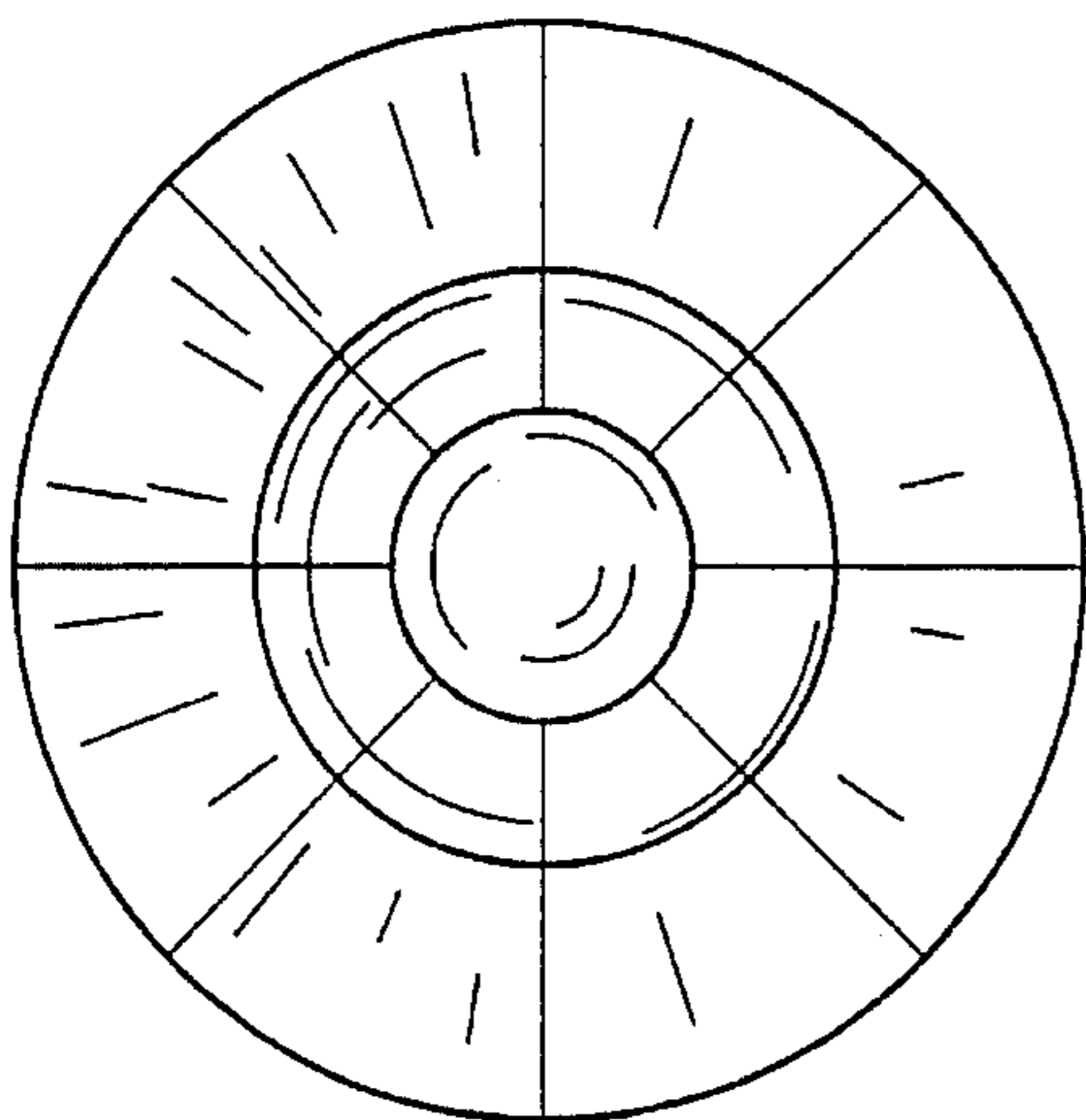


FIG. 26

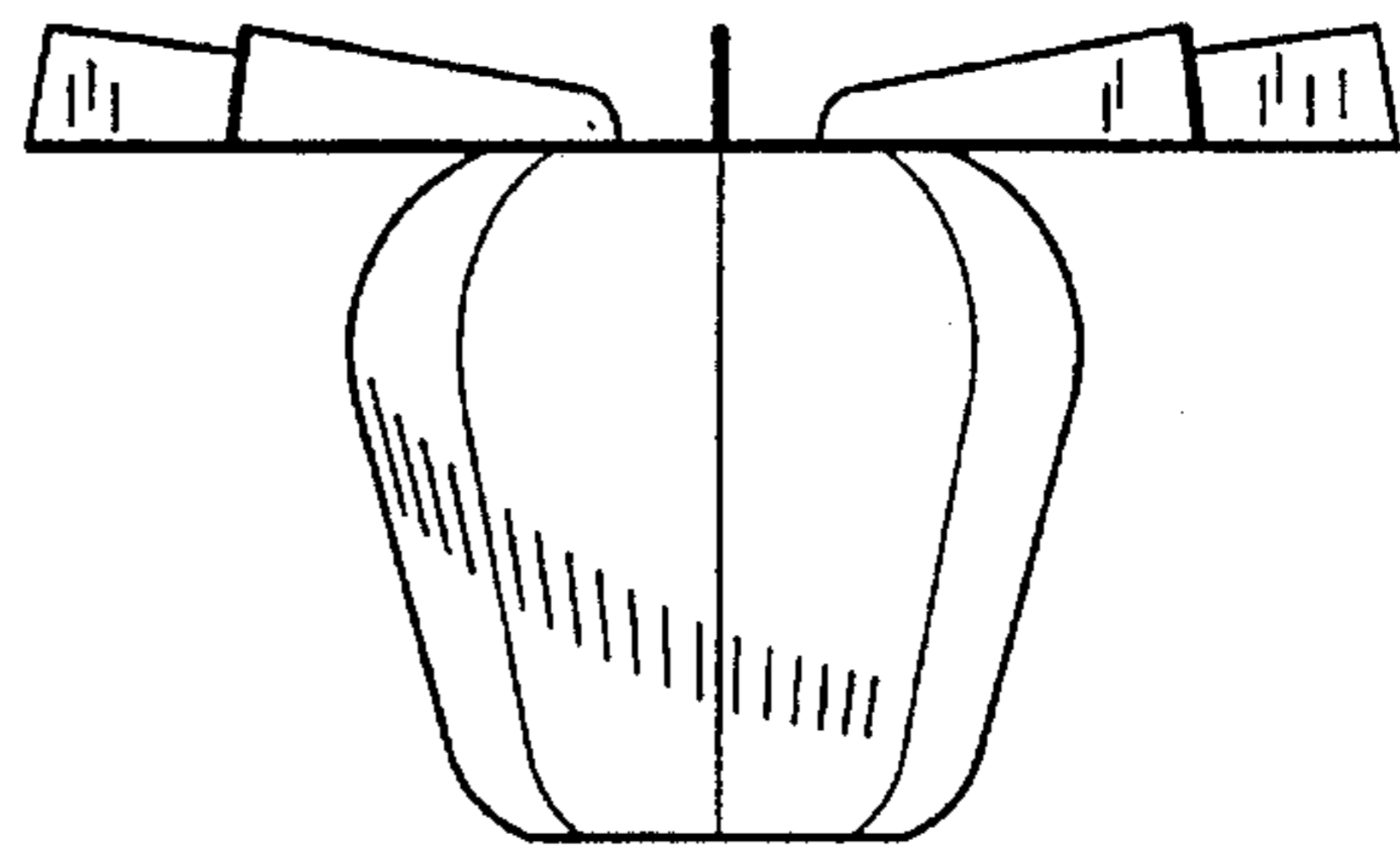


FIG. 27

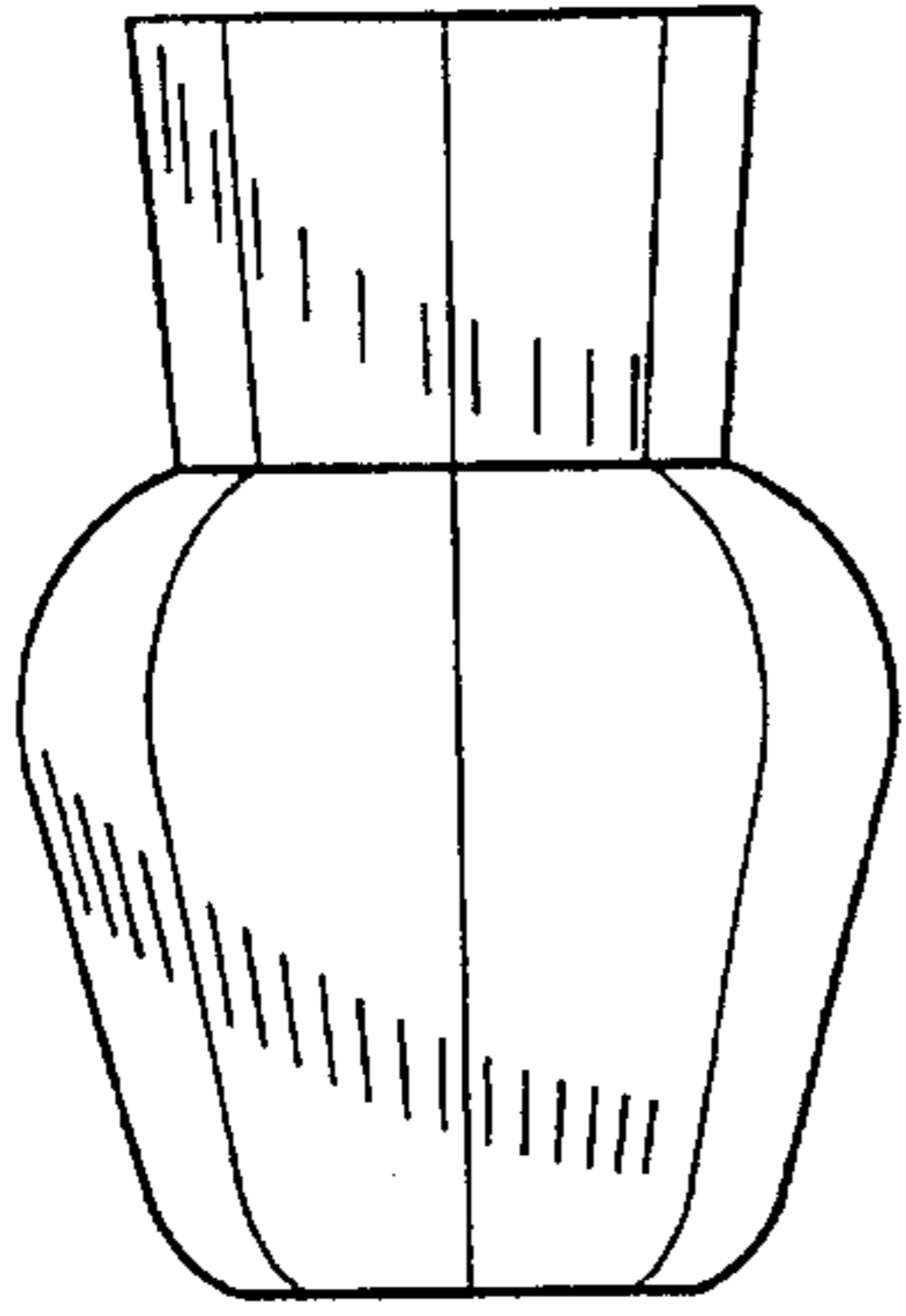


FIG. 28

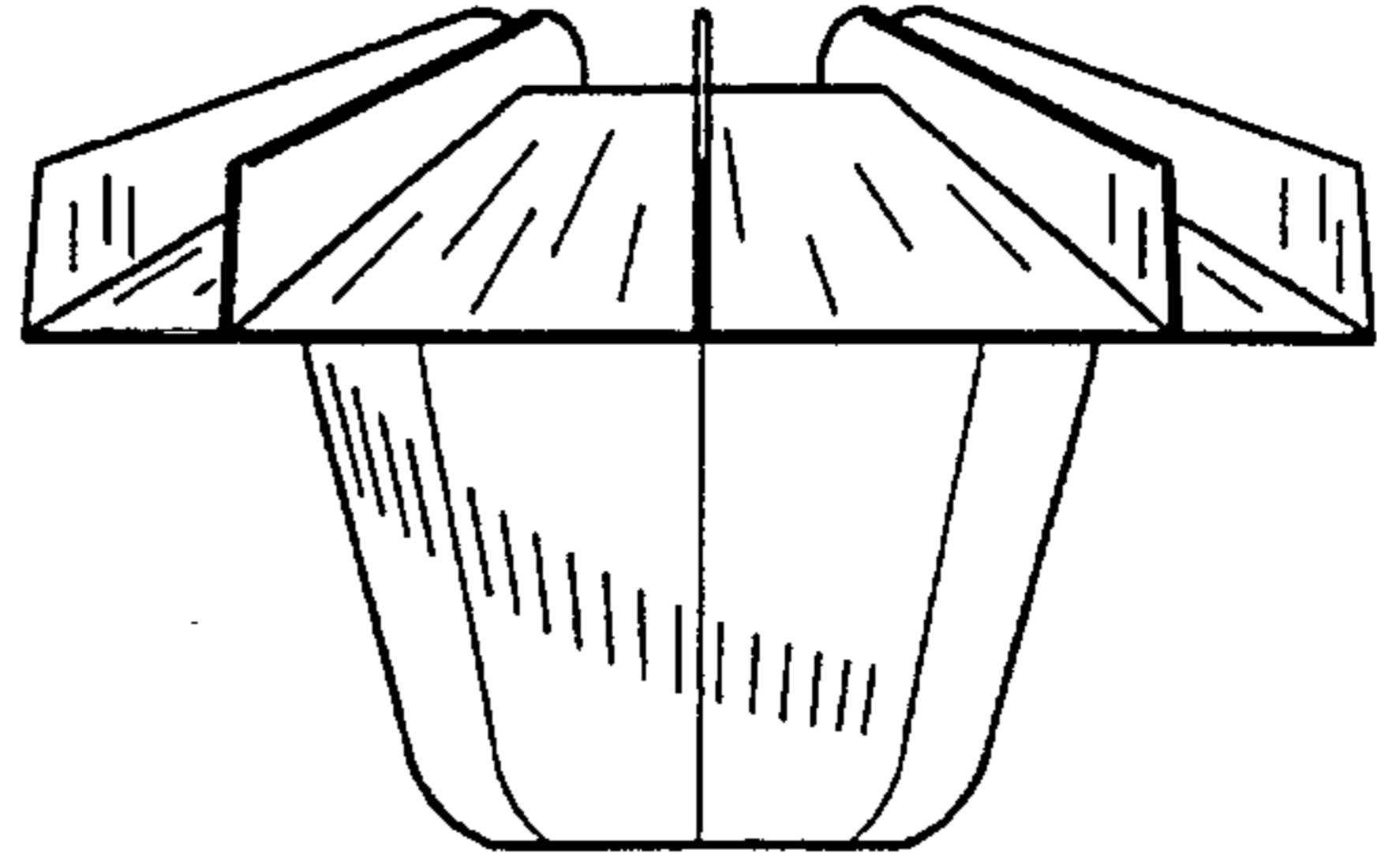


FIG. 29

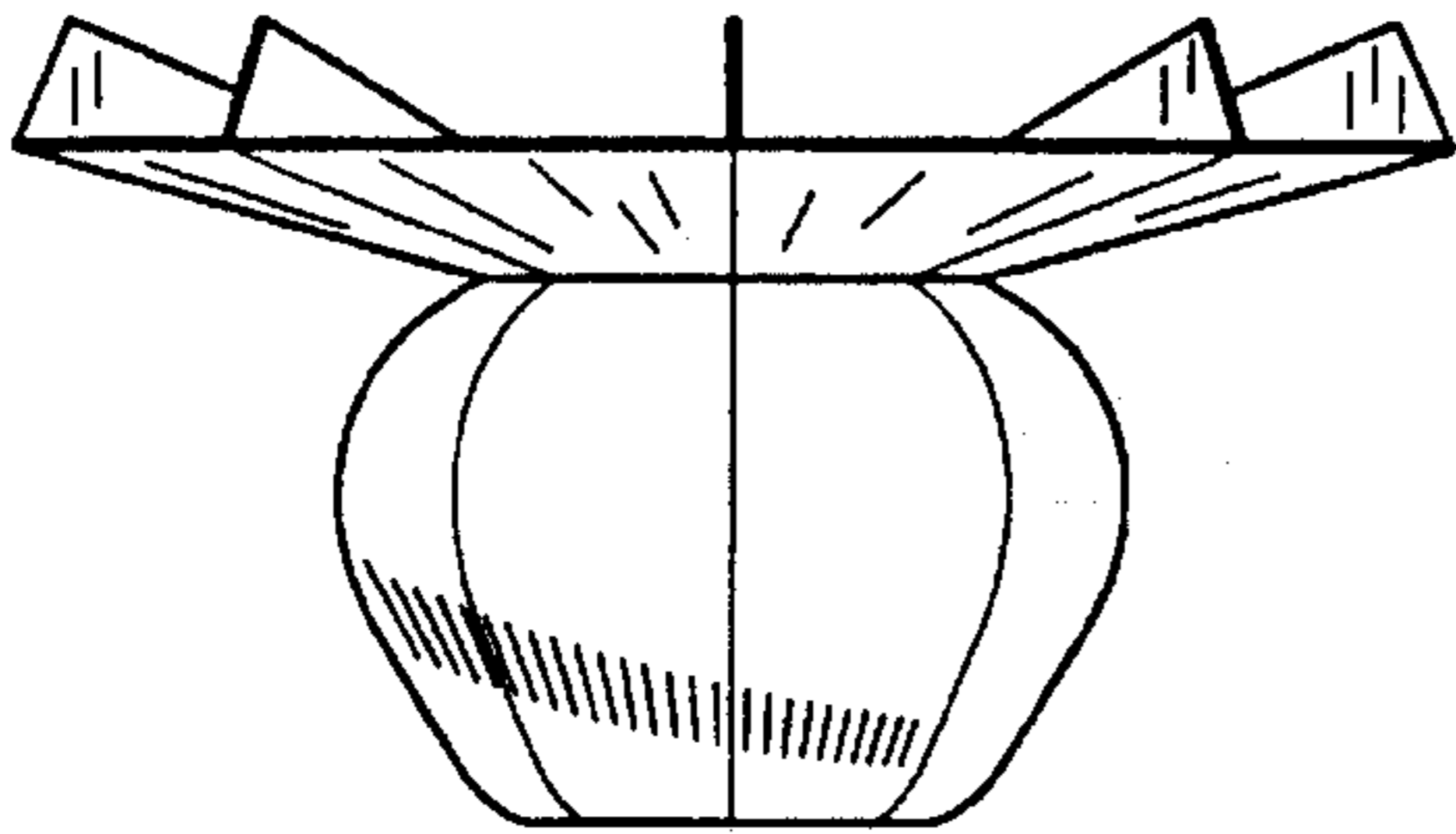


FIG. 30

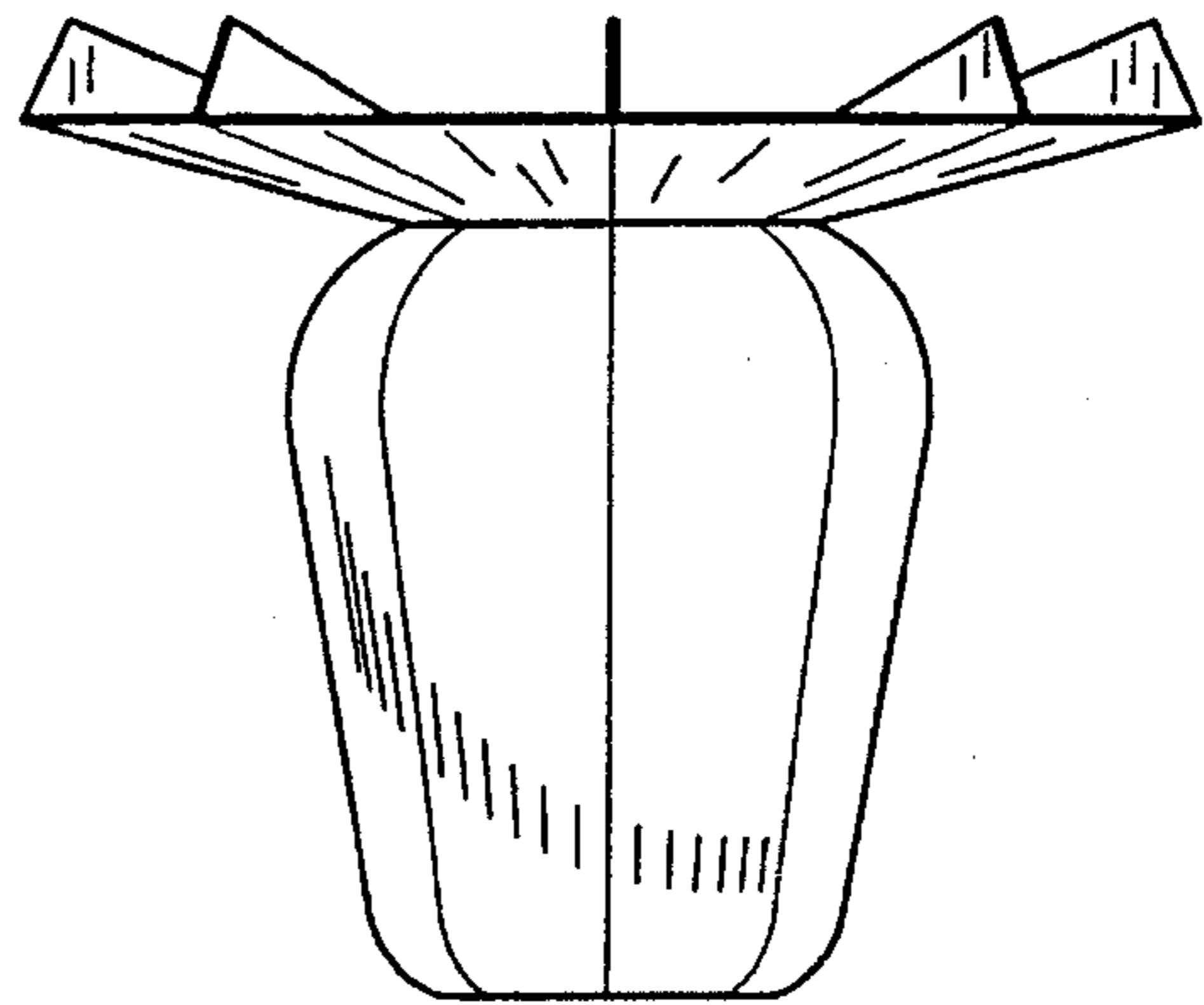


FIG. 31

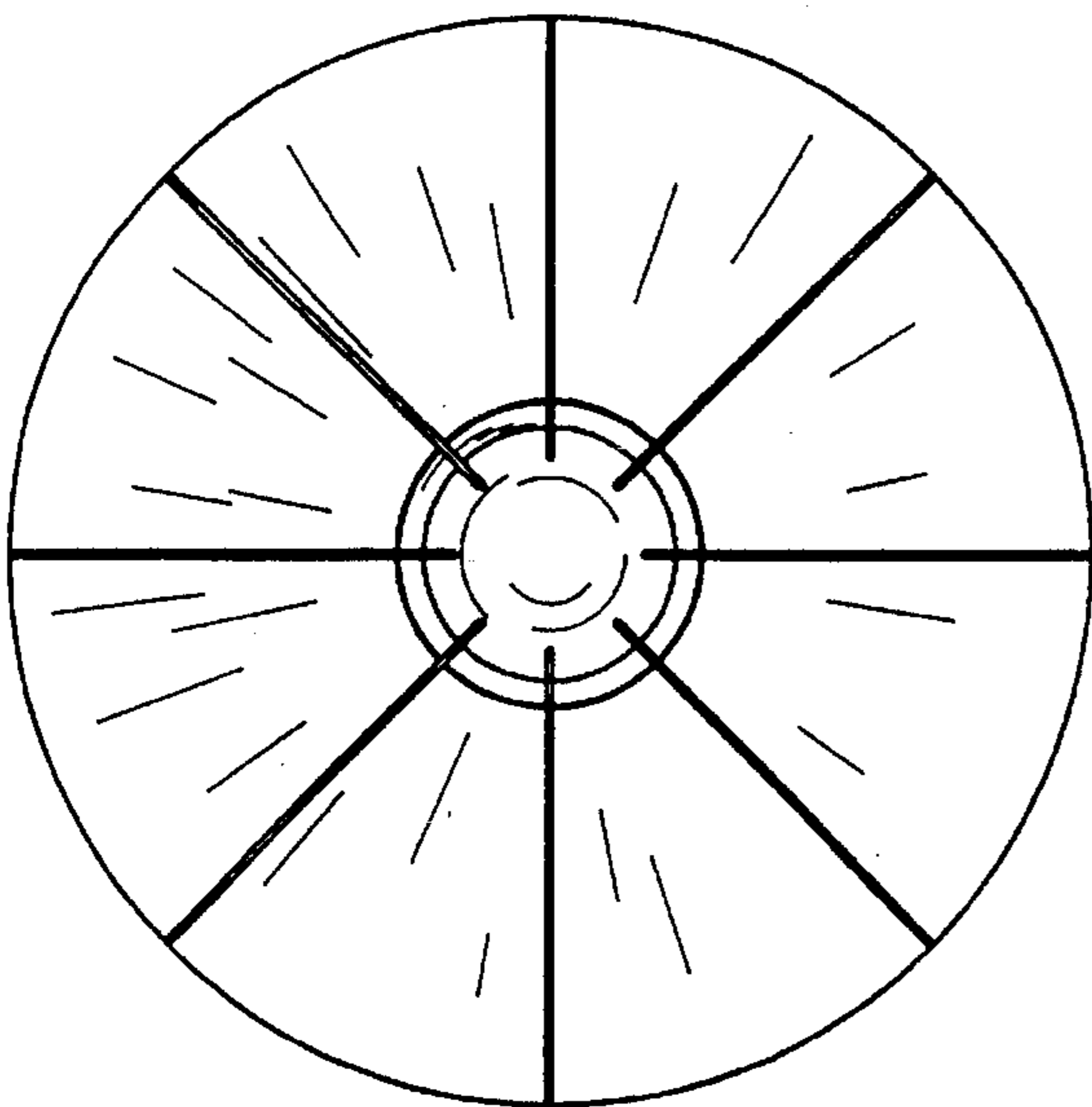


FIG. 32

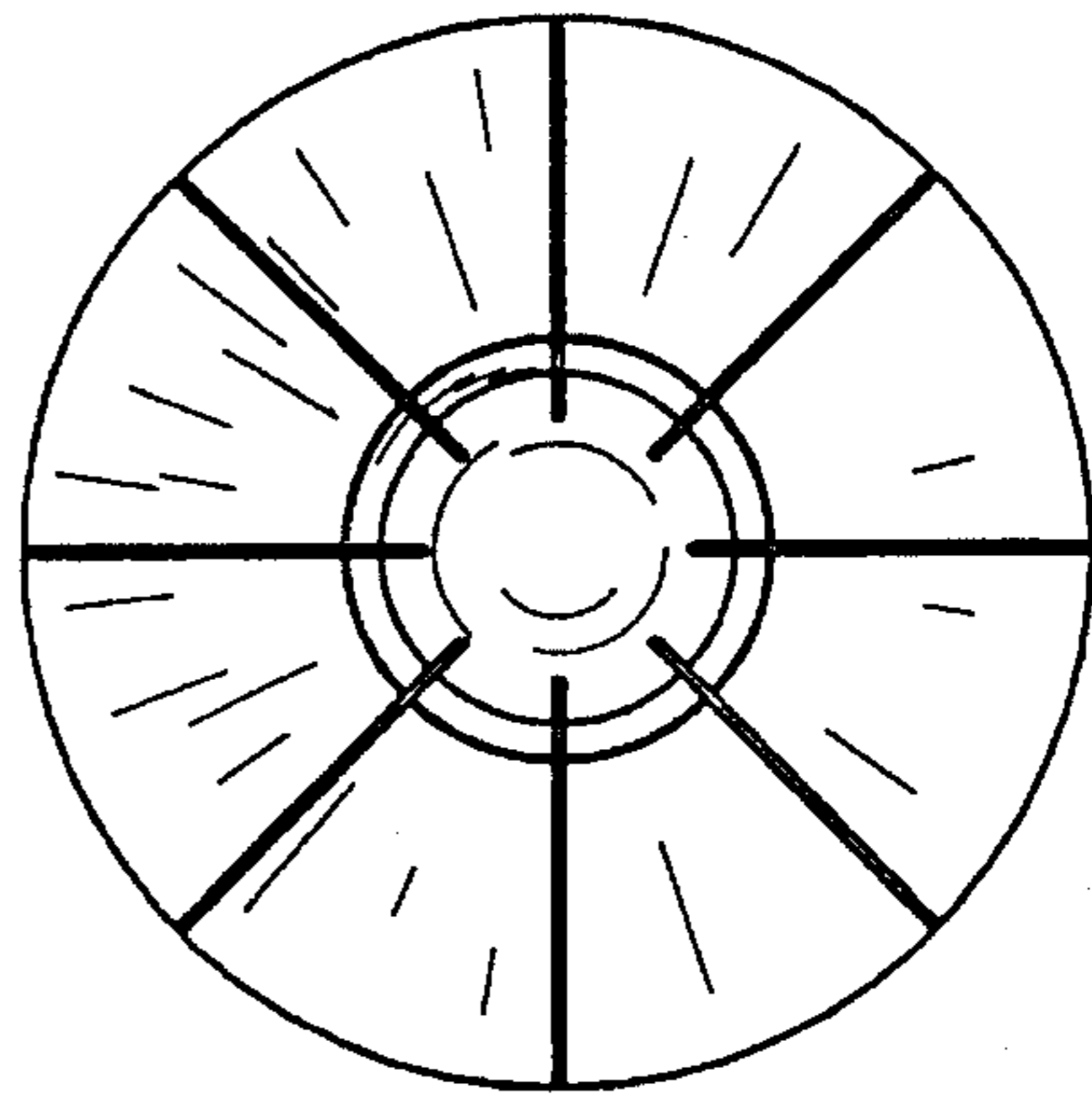


FIG. 33

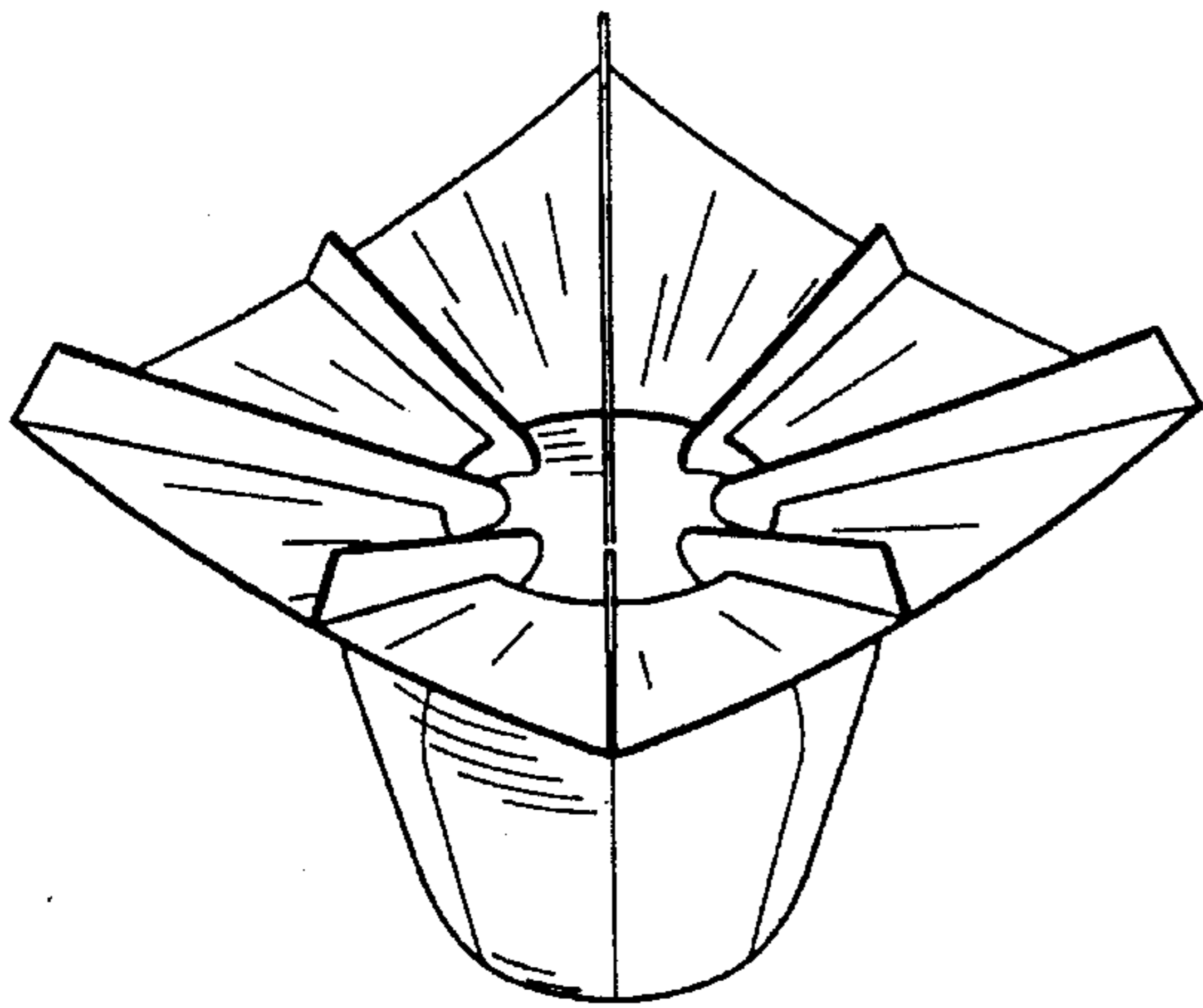


FIG. 34

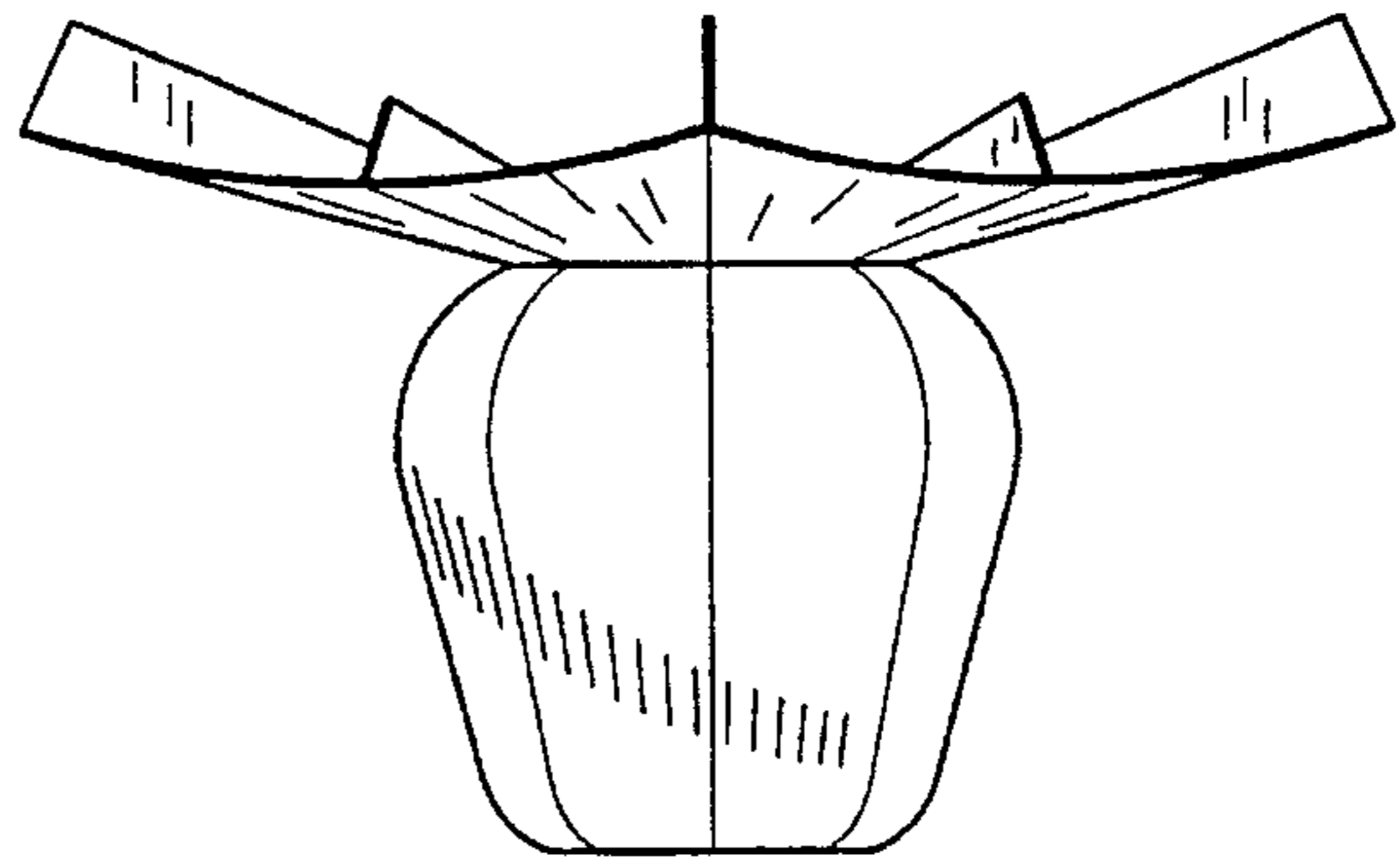


FIG. 35

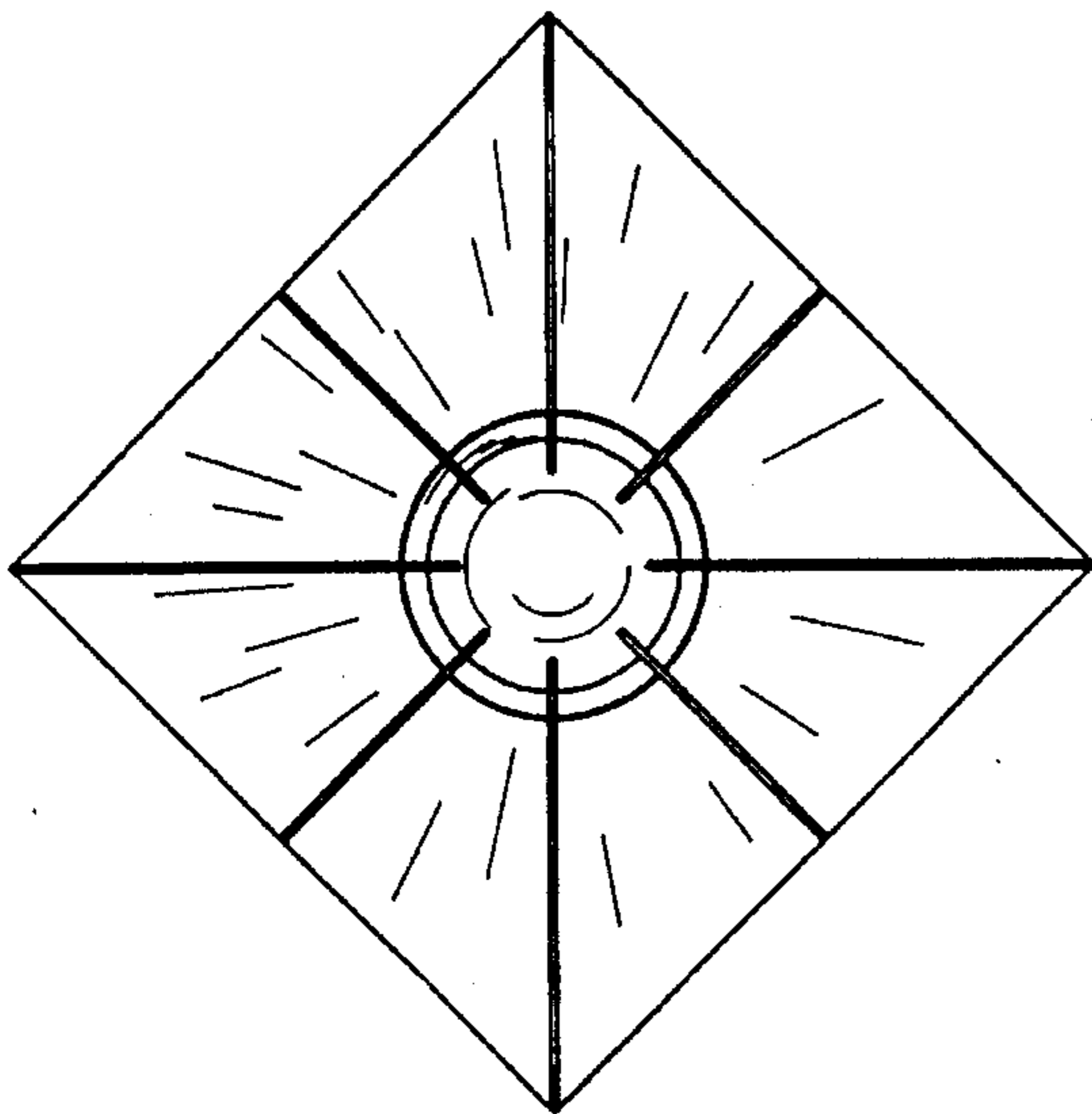


FIG. 36

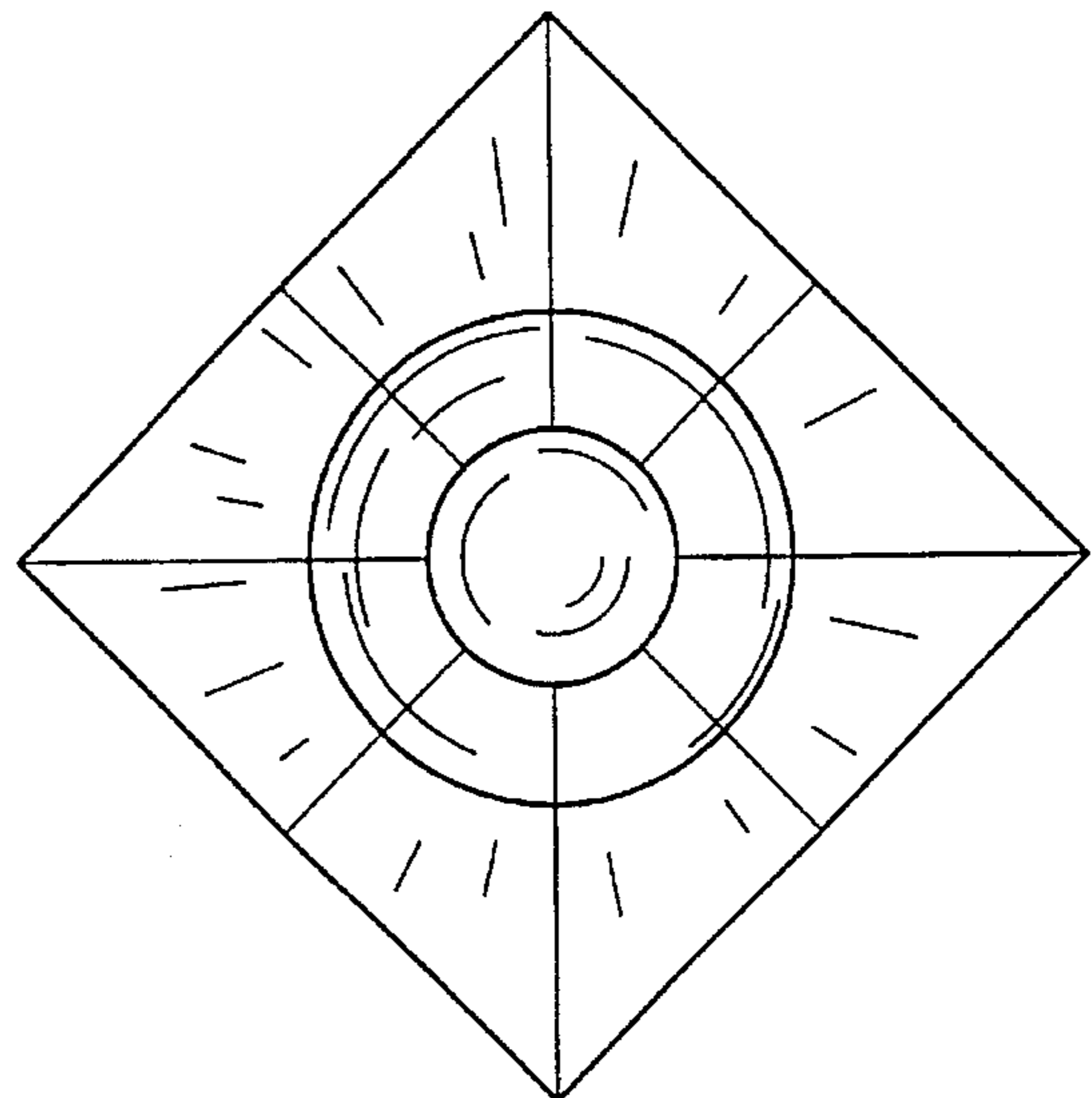


FIG. 37

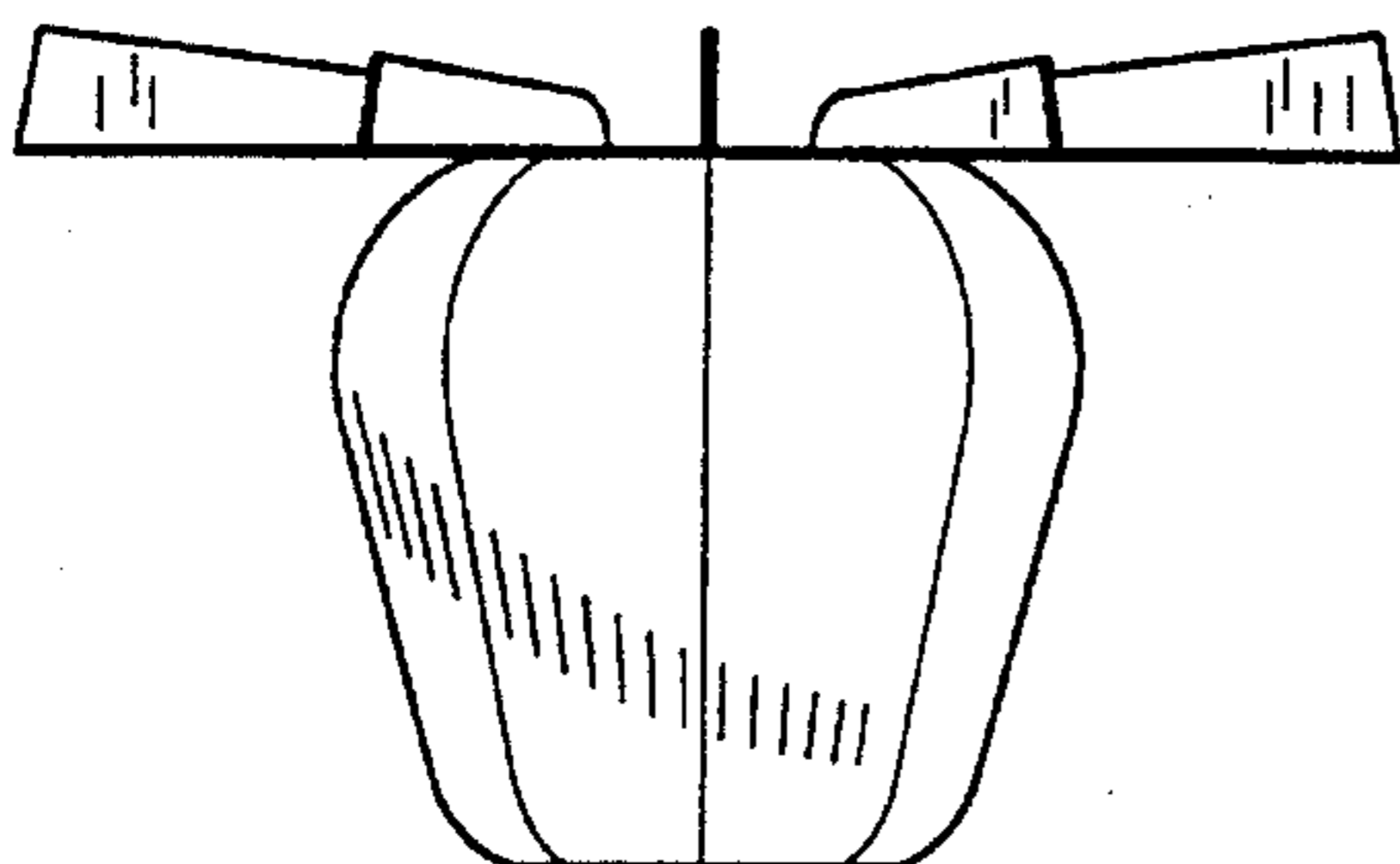


FIG. 38

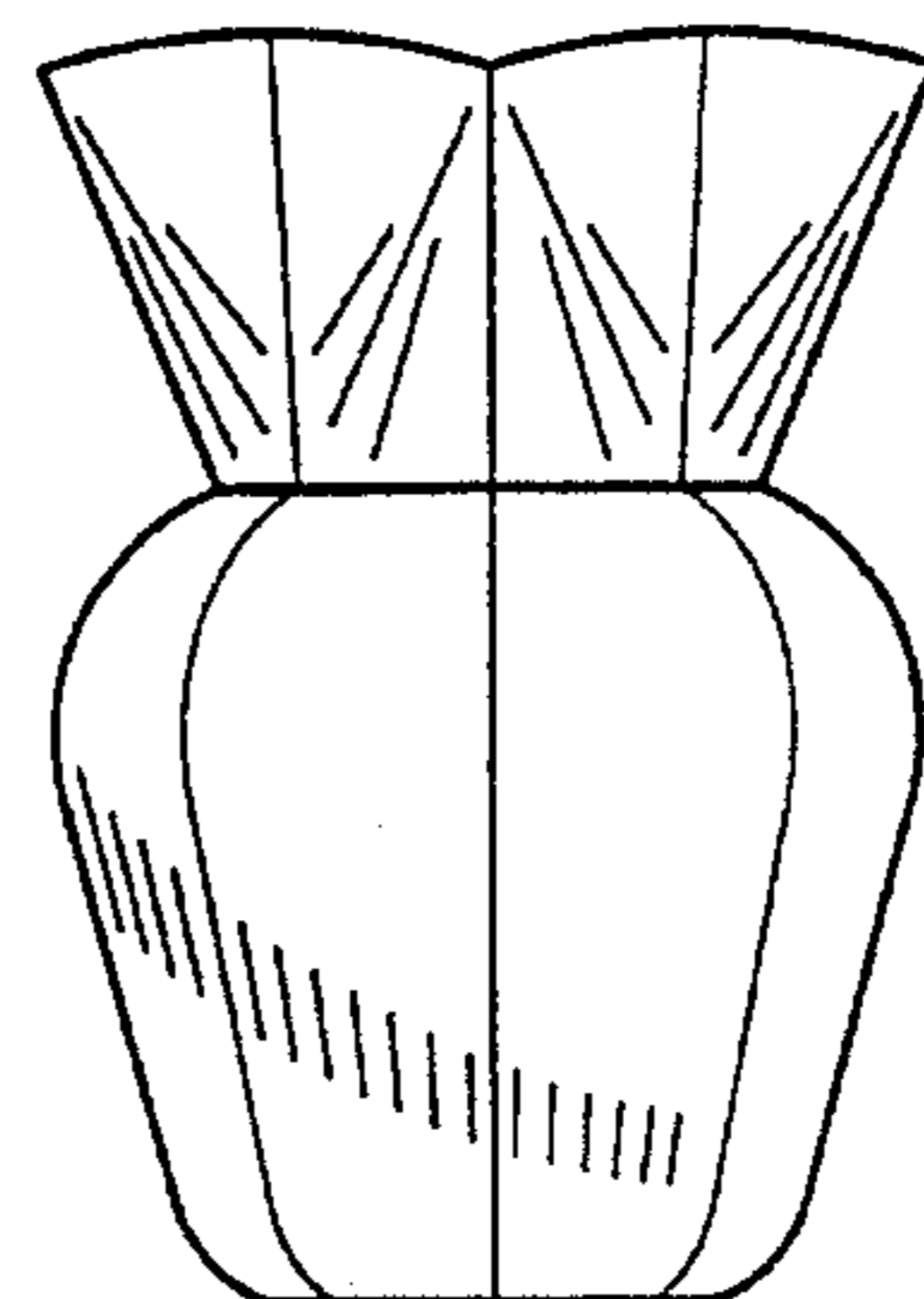


FIG. 39

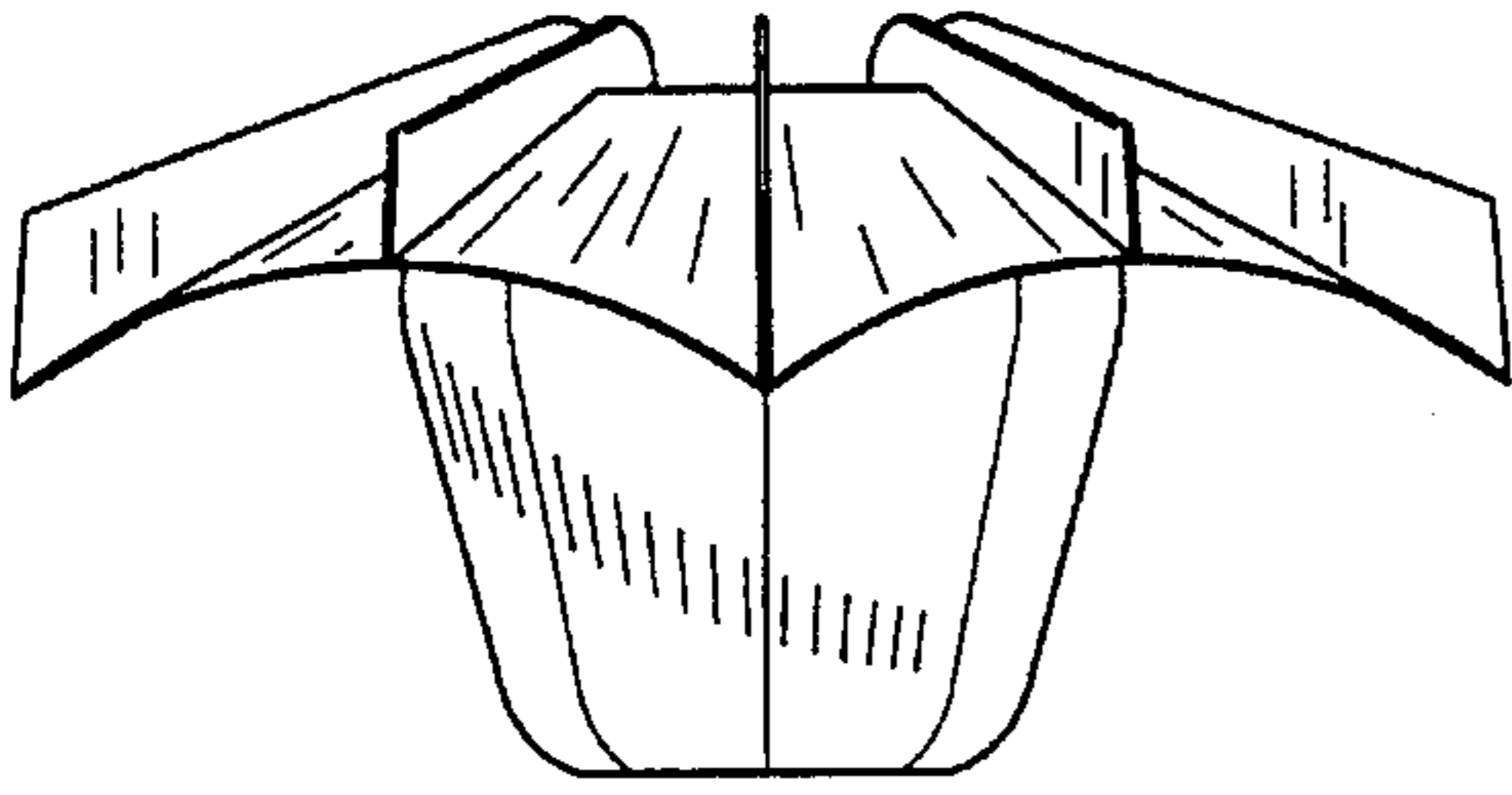


FIG. 40

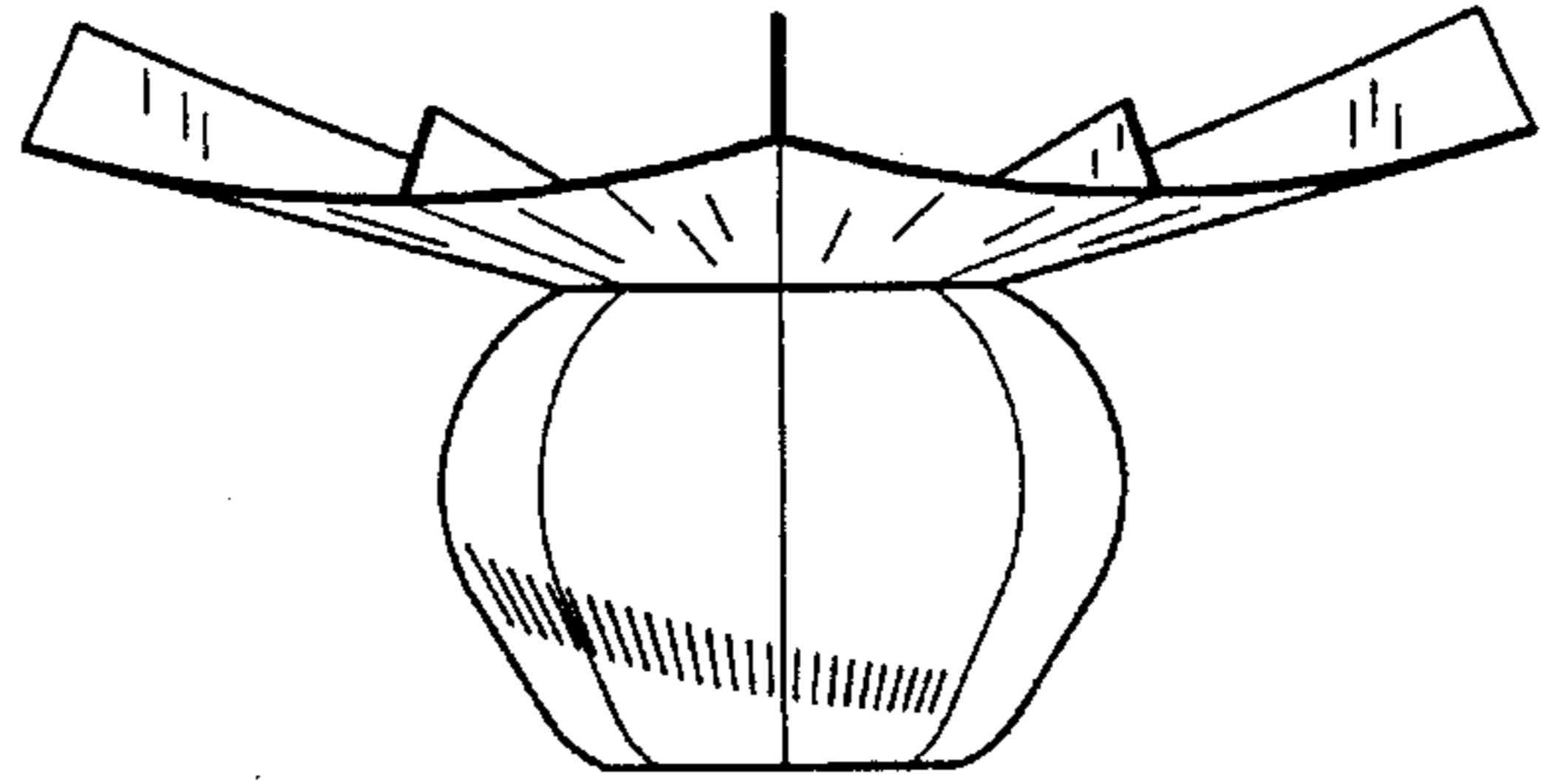


FIG. 41

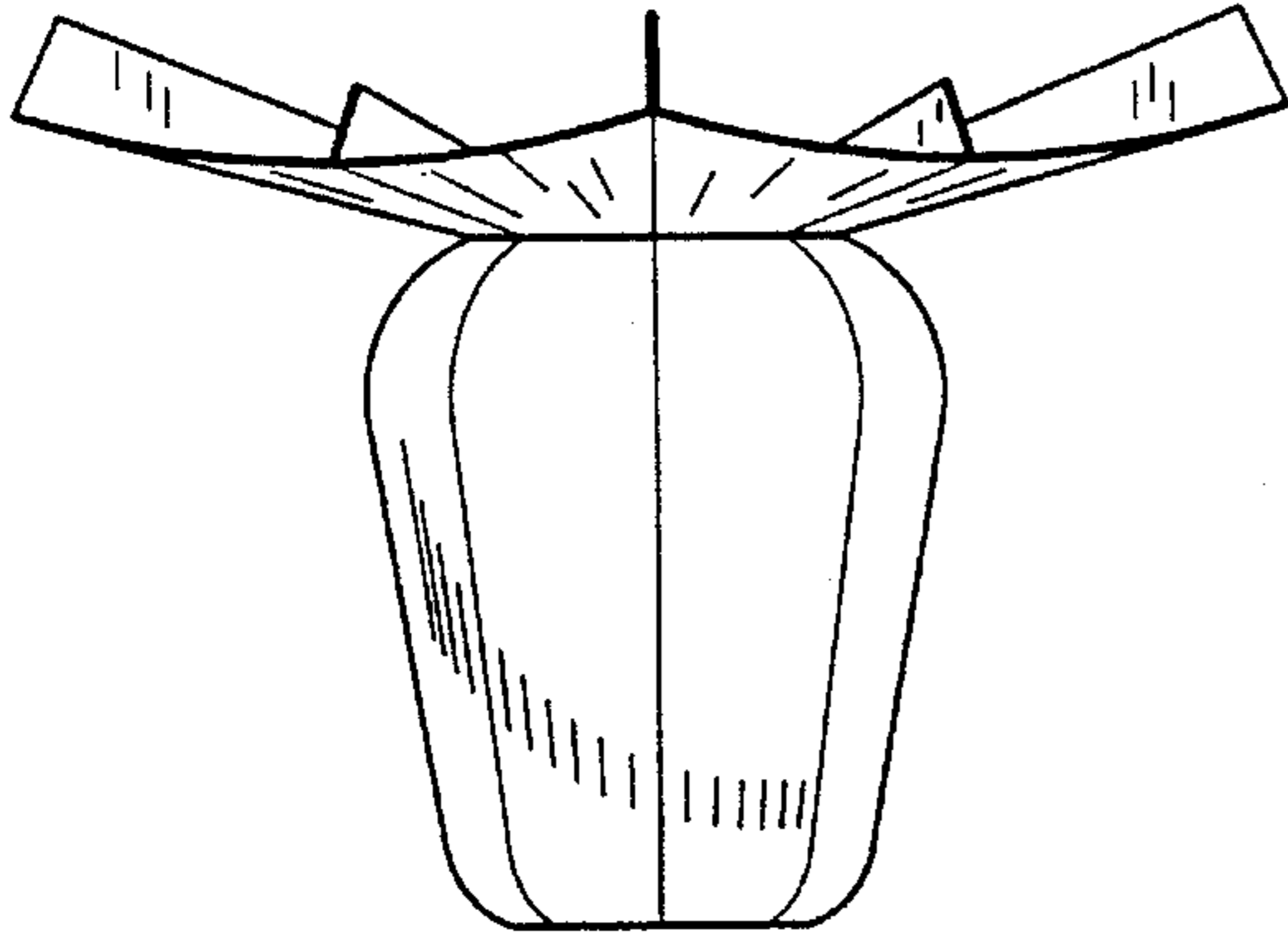


FIG. 42

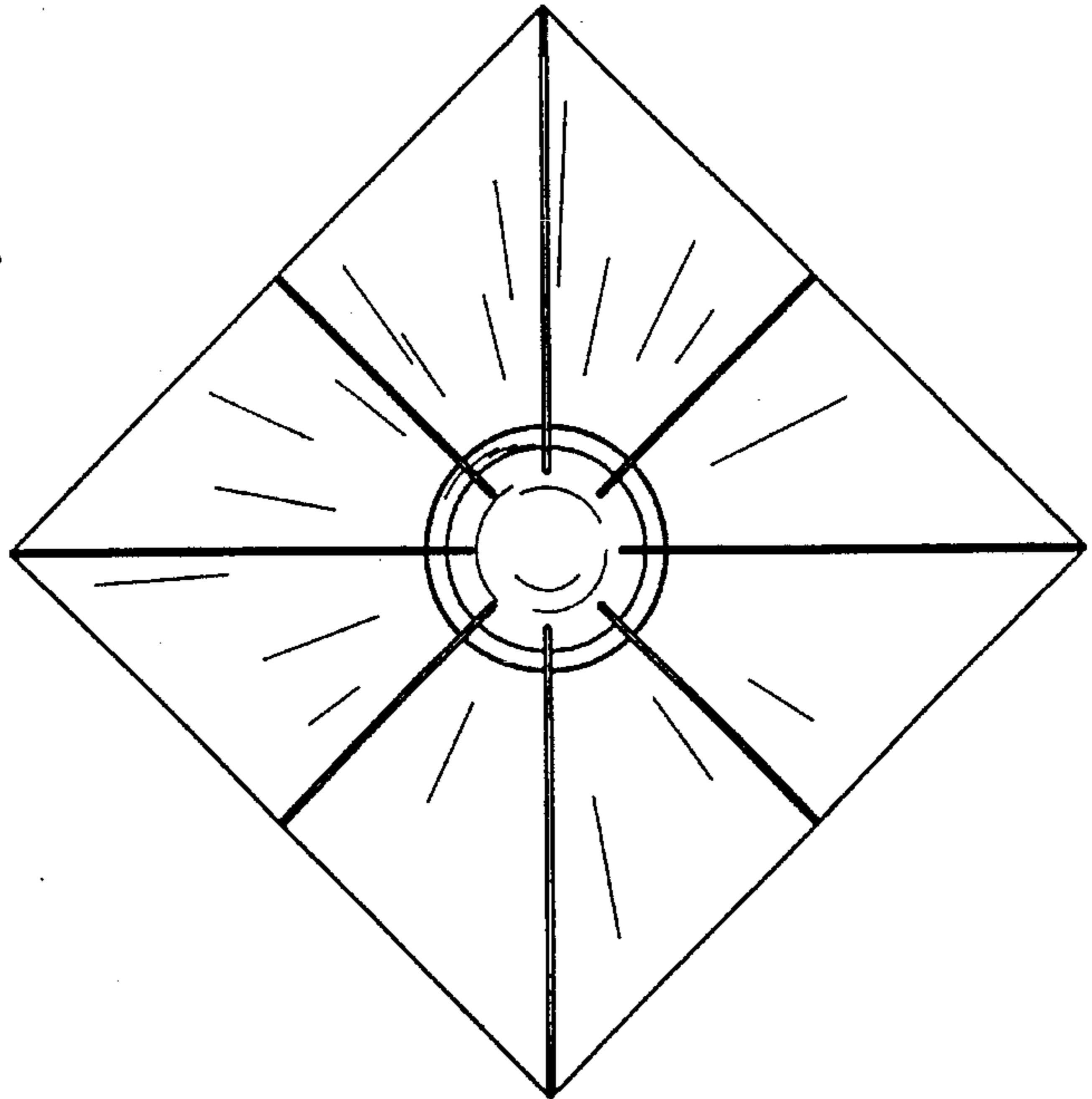


FIG. 43

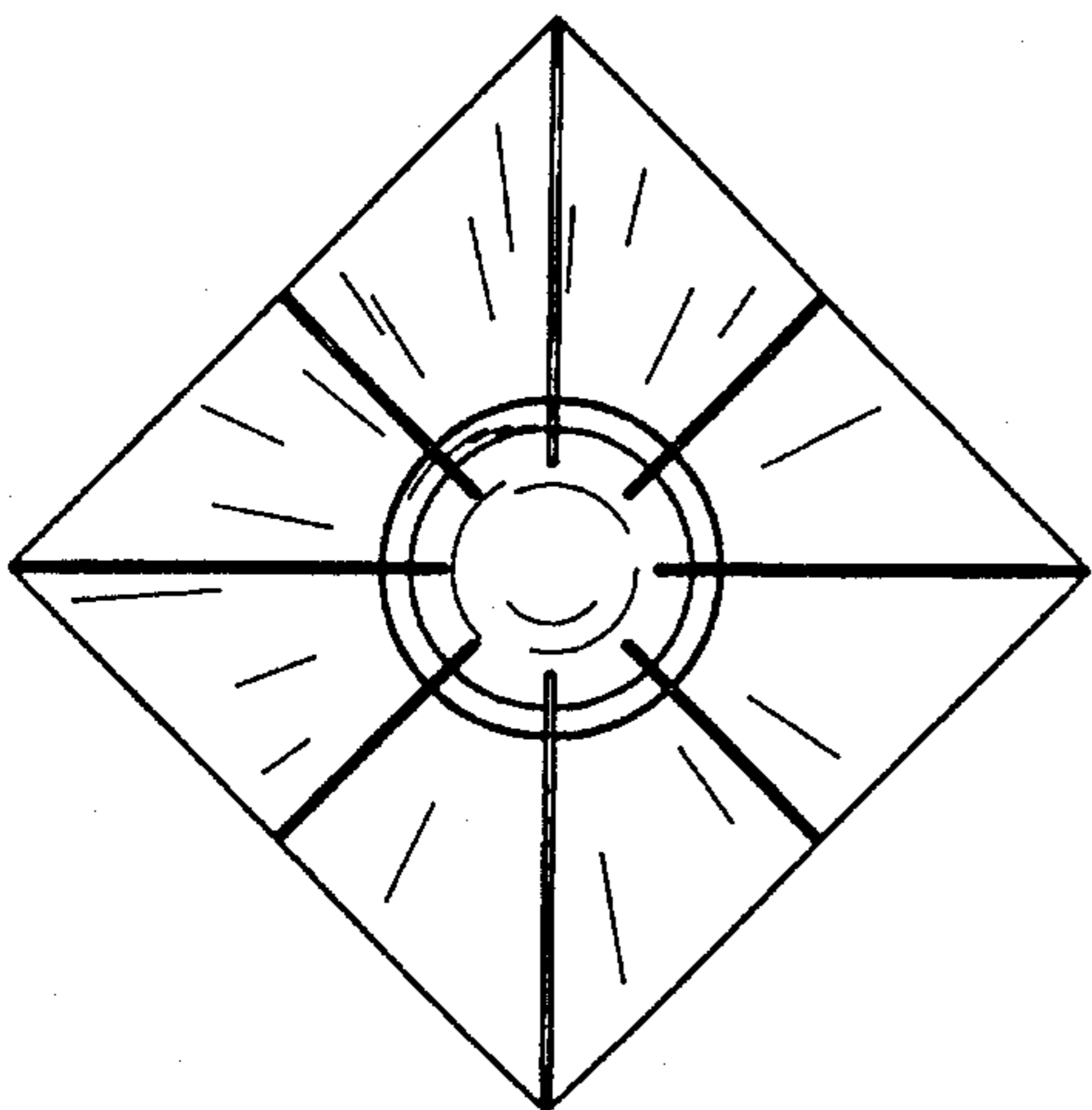


FIG. 44

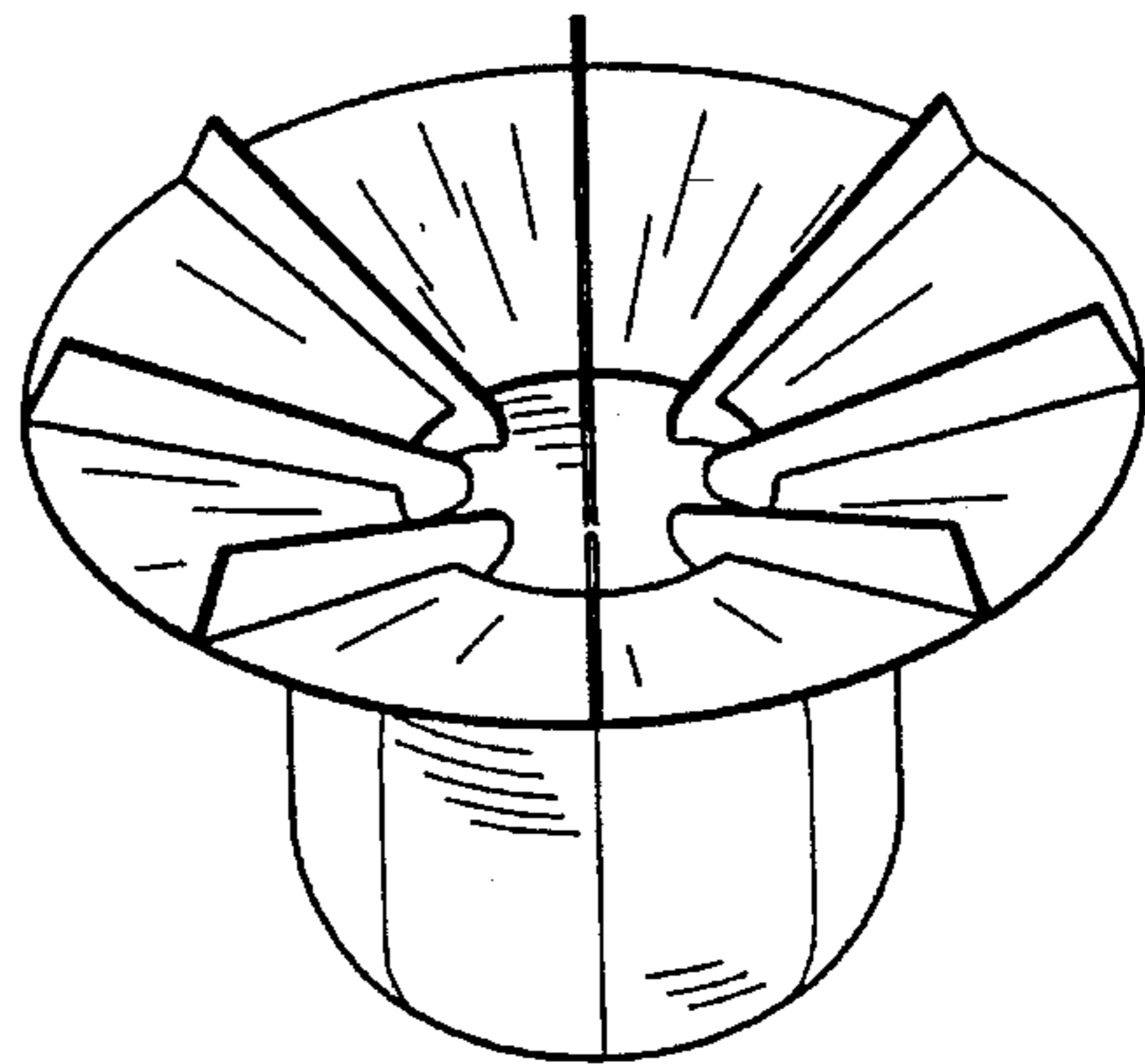


FIG. 45

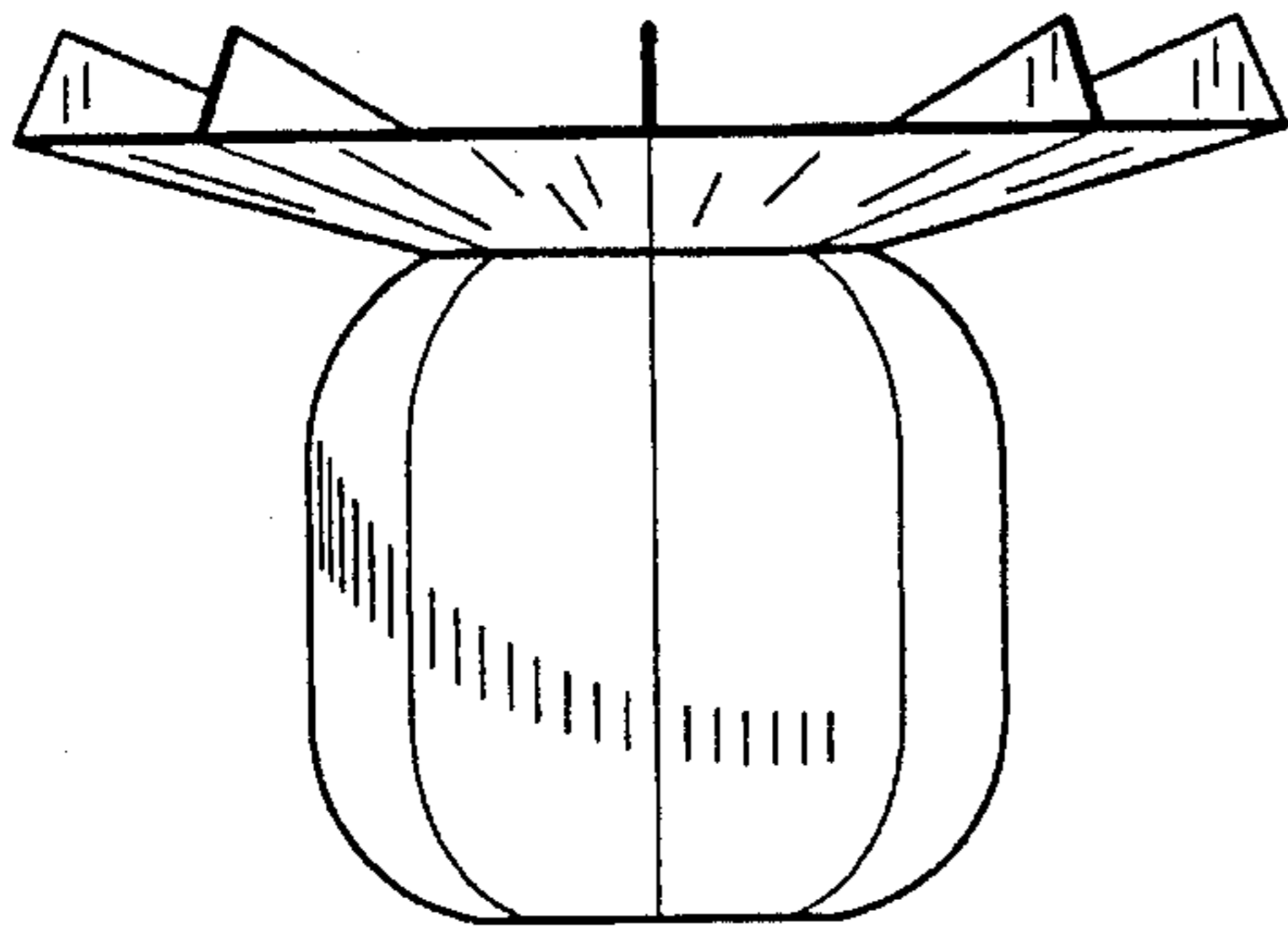


FIG. 46

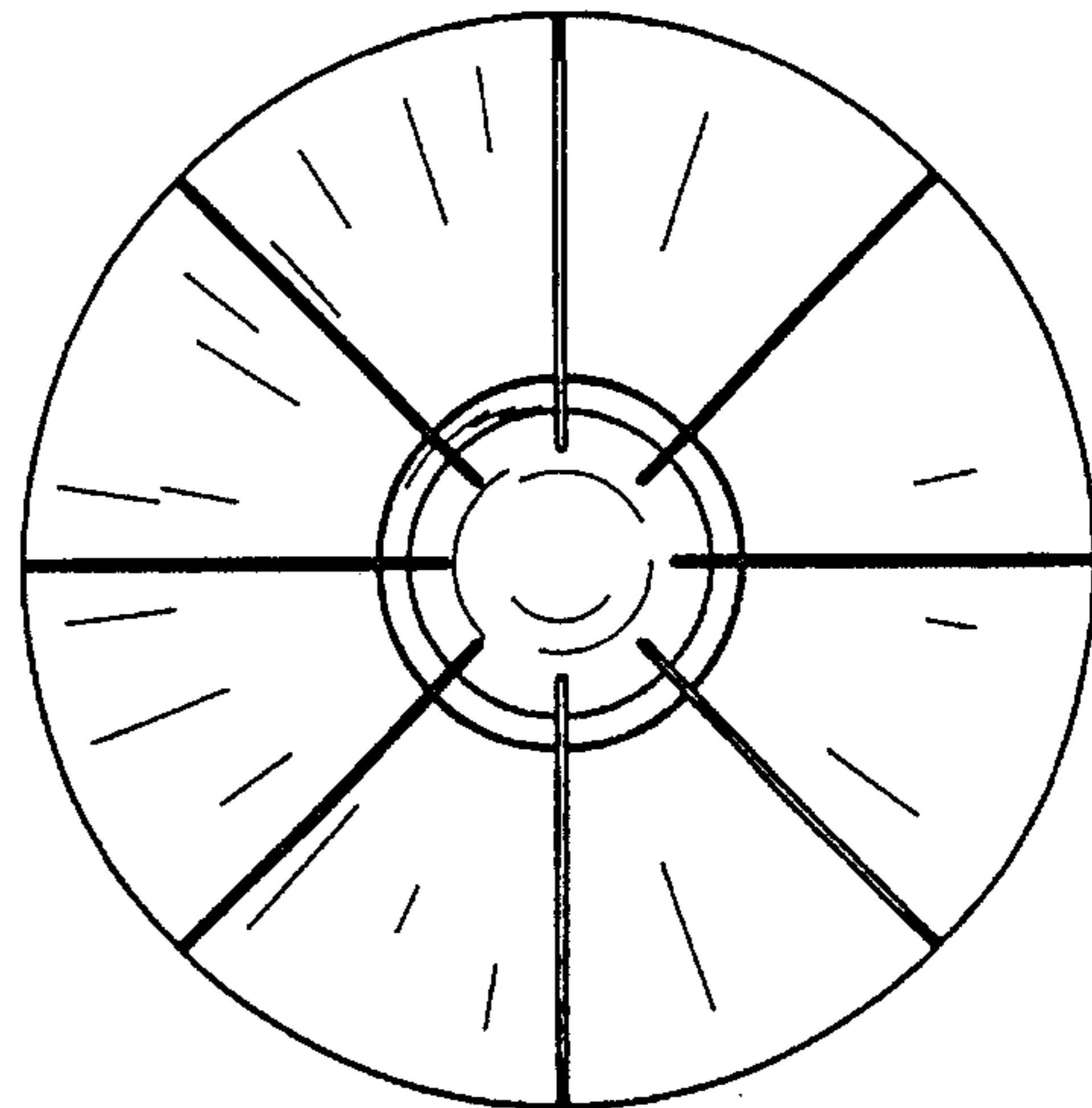


FIG. 47

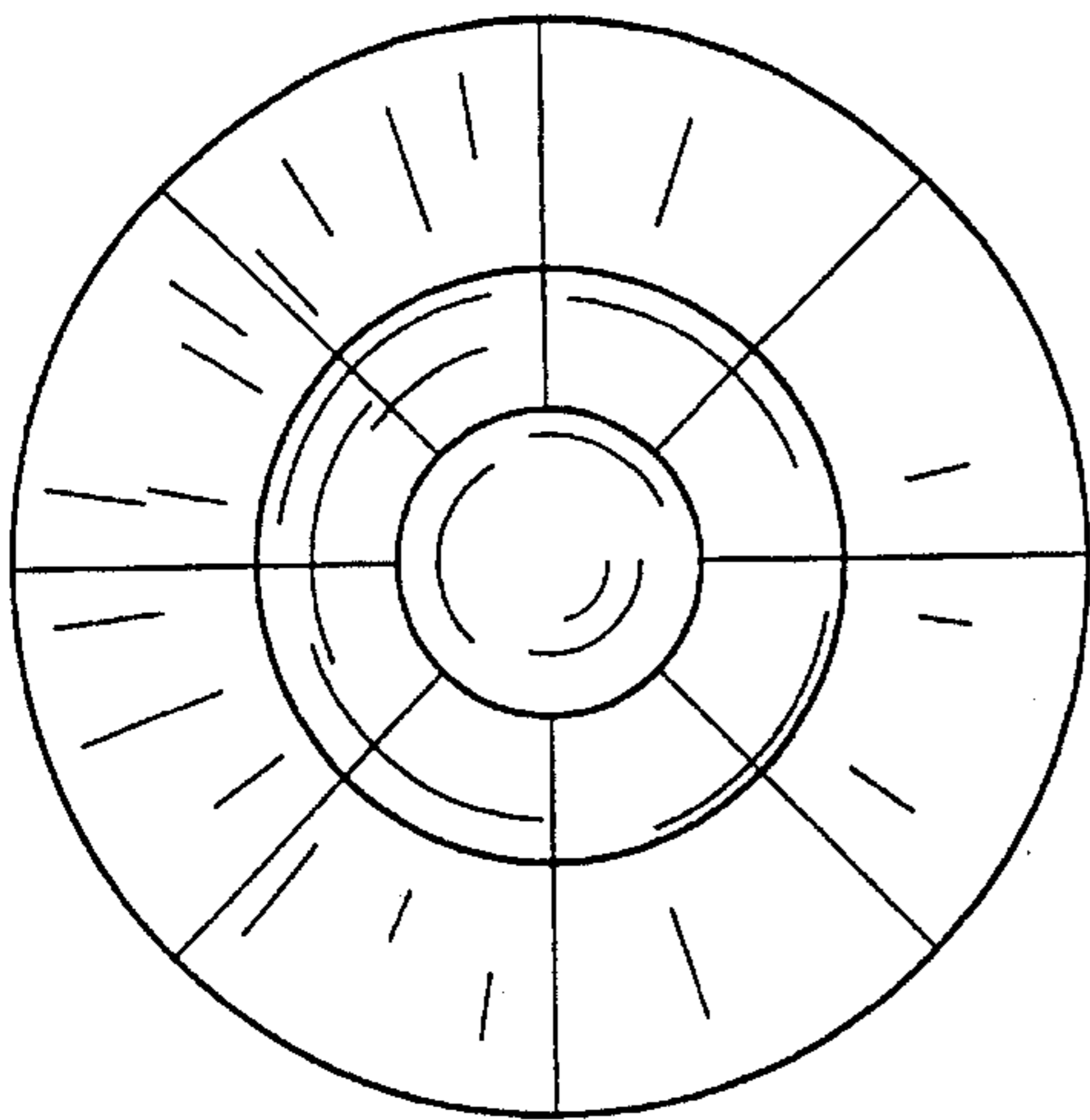


FIG. 48

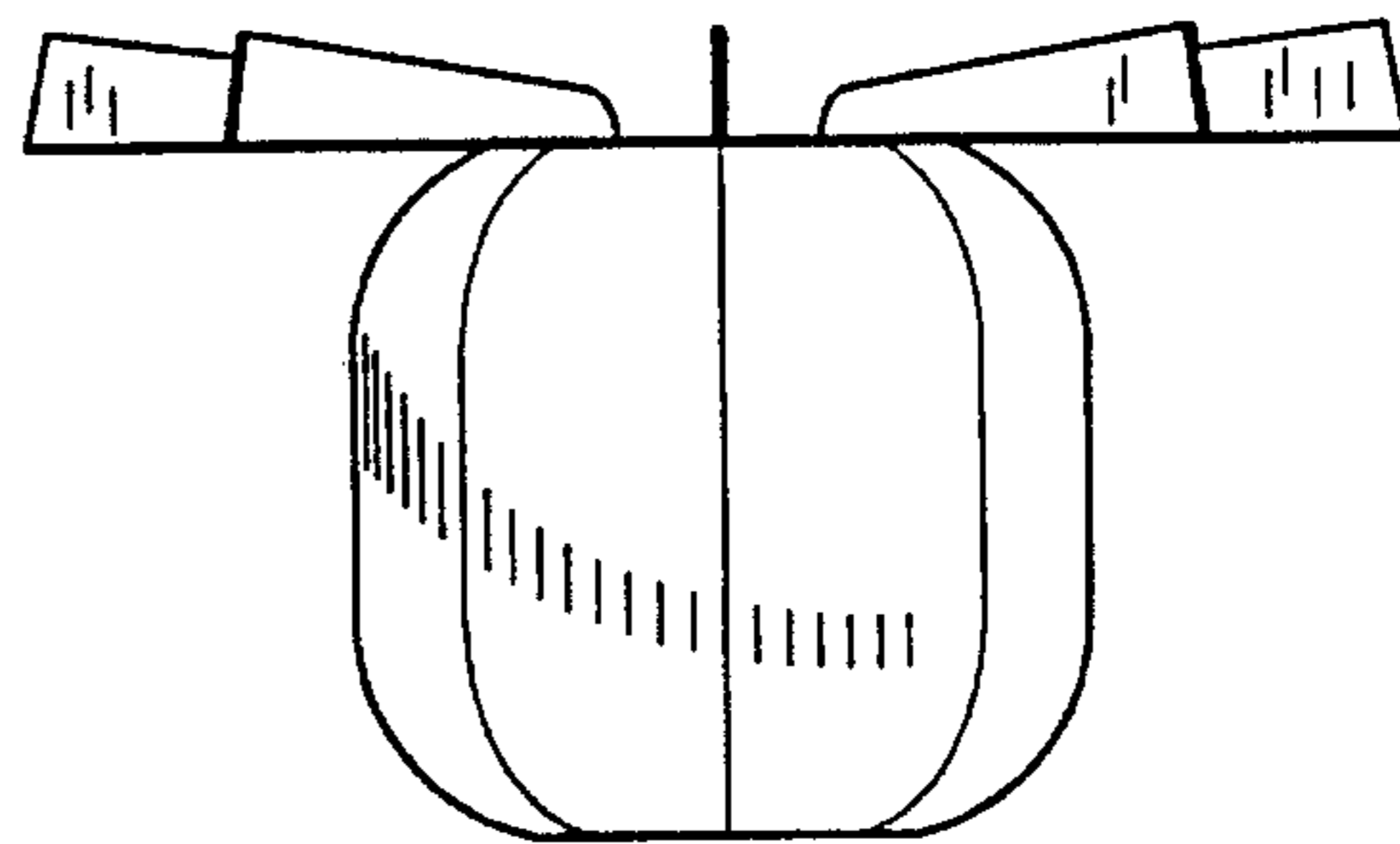


FIG. 49

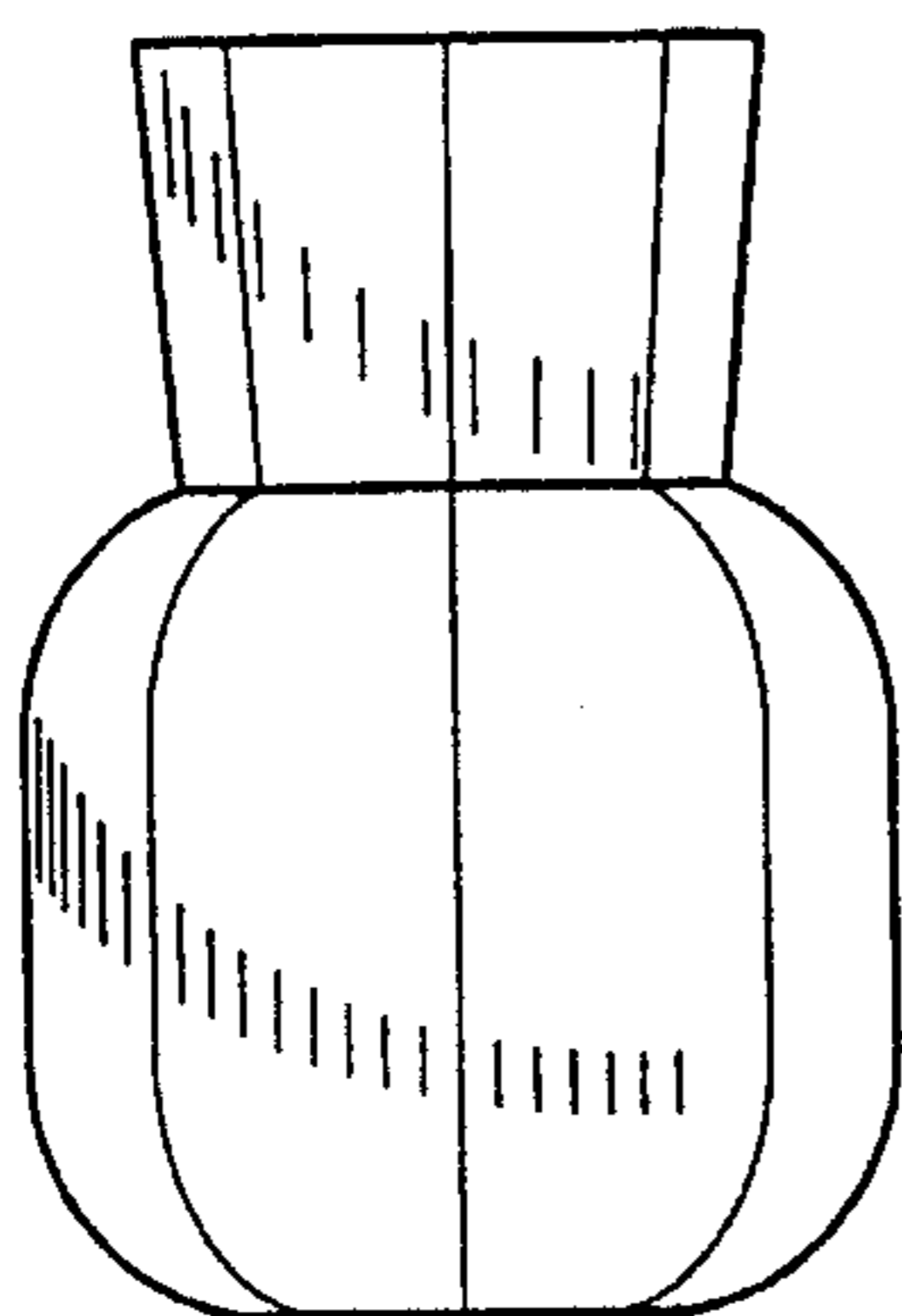


FIG. 50

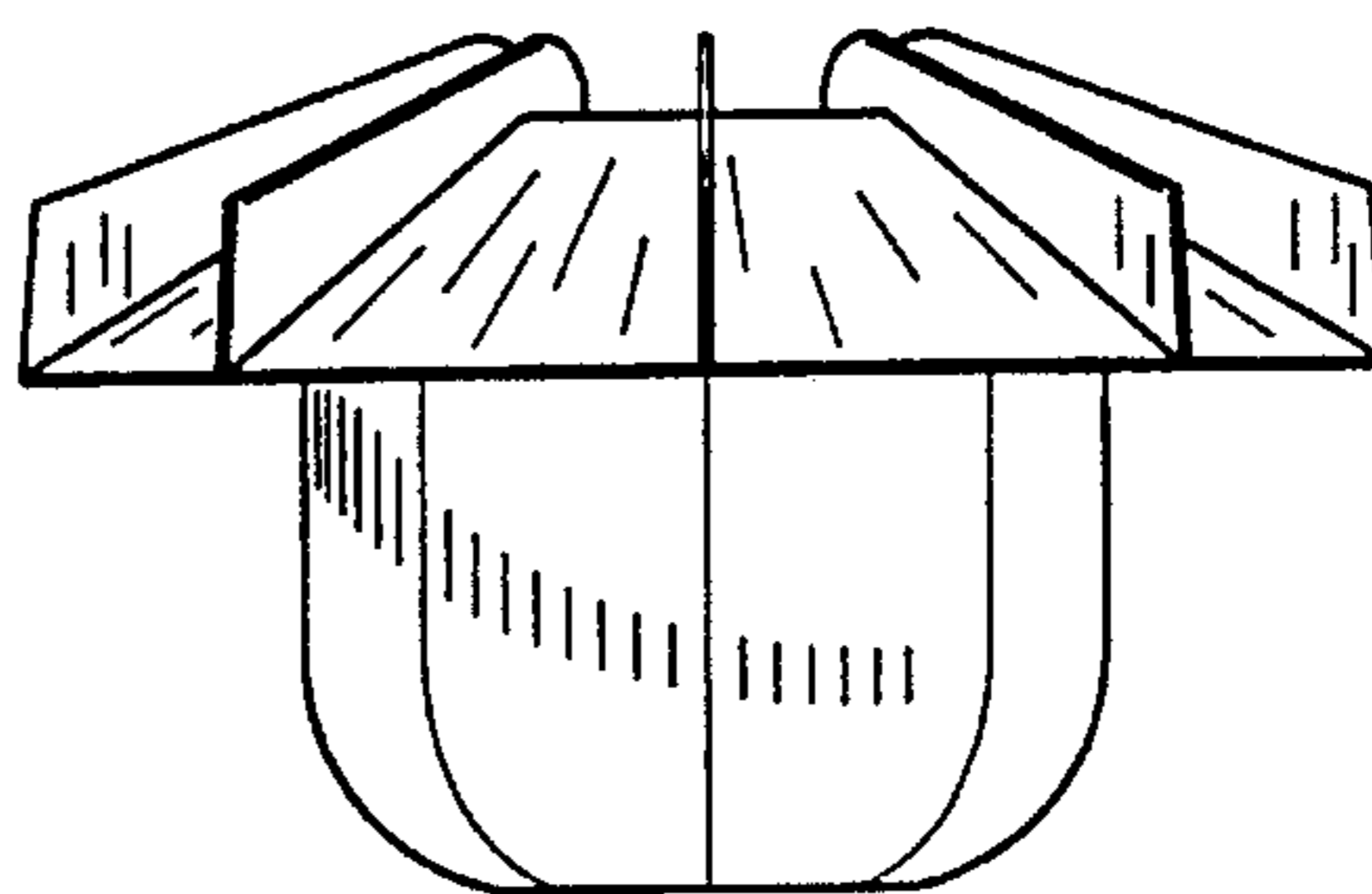


FIG. 51

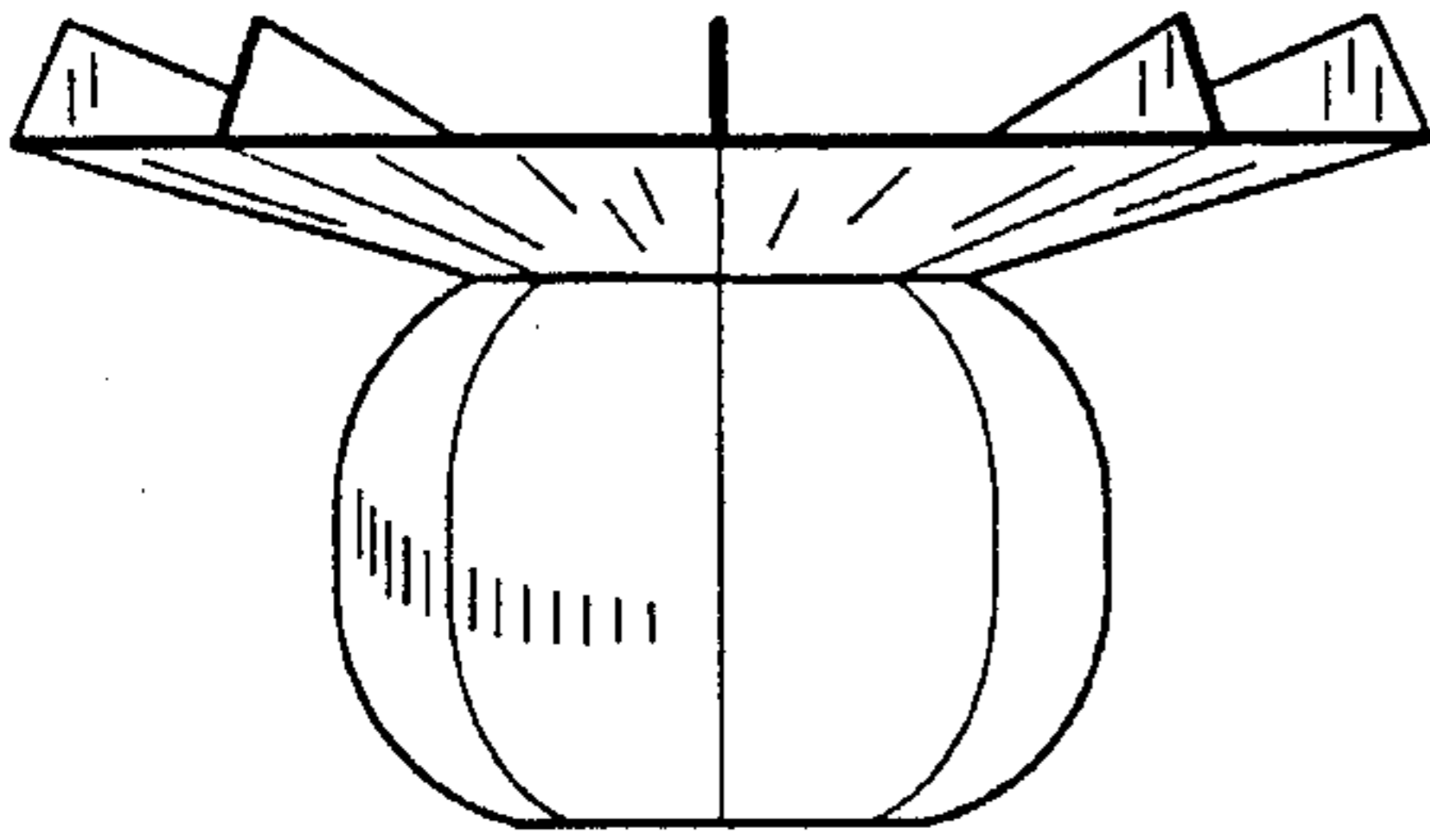


FIG. 52

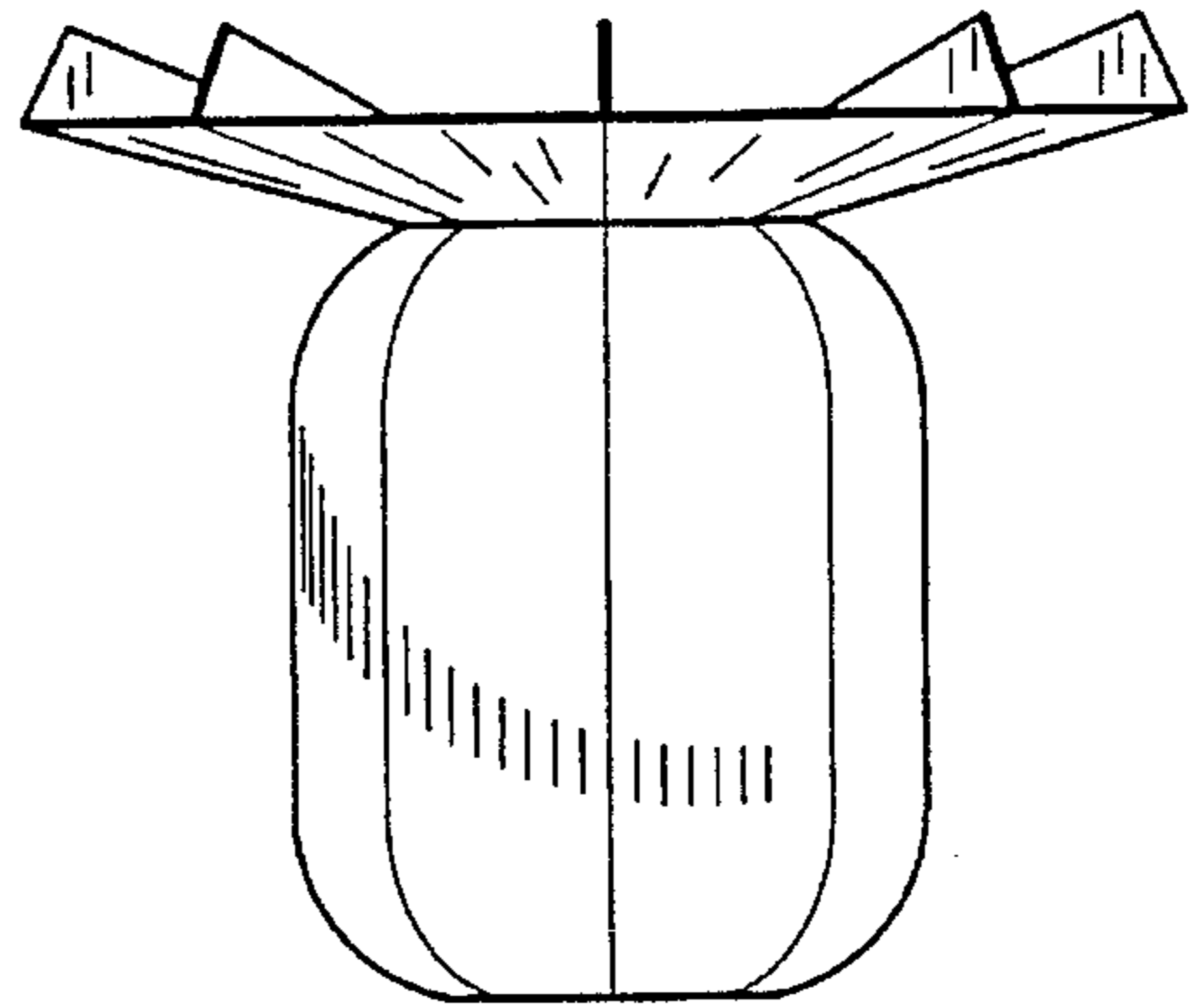


FIG. 53

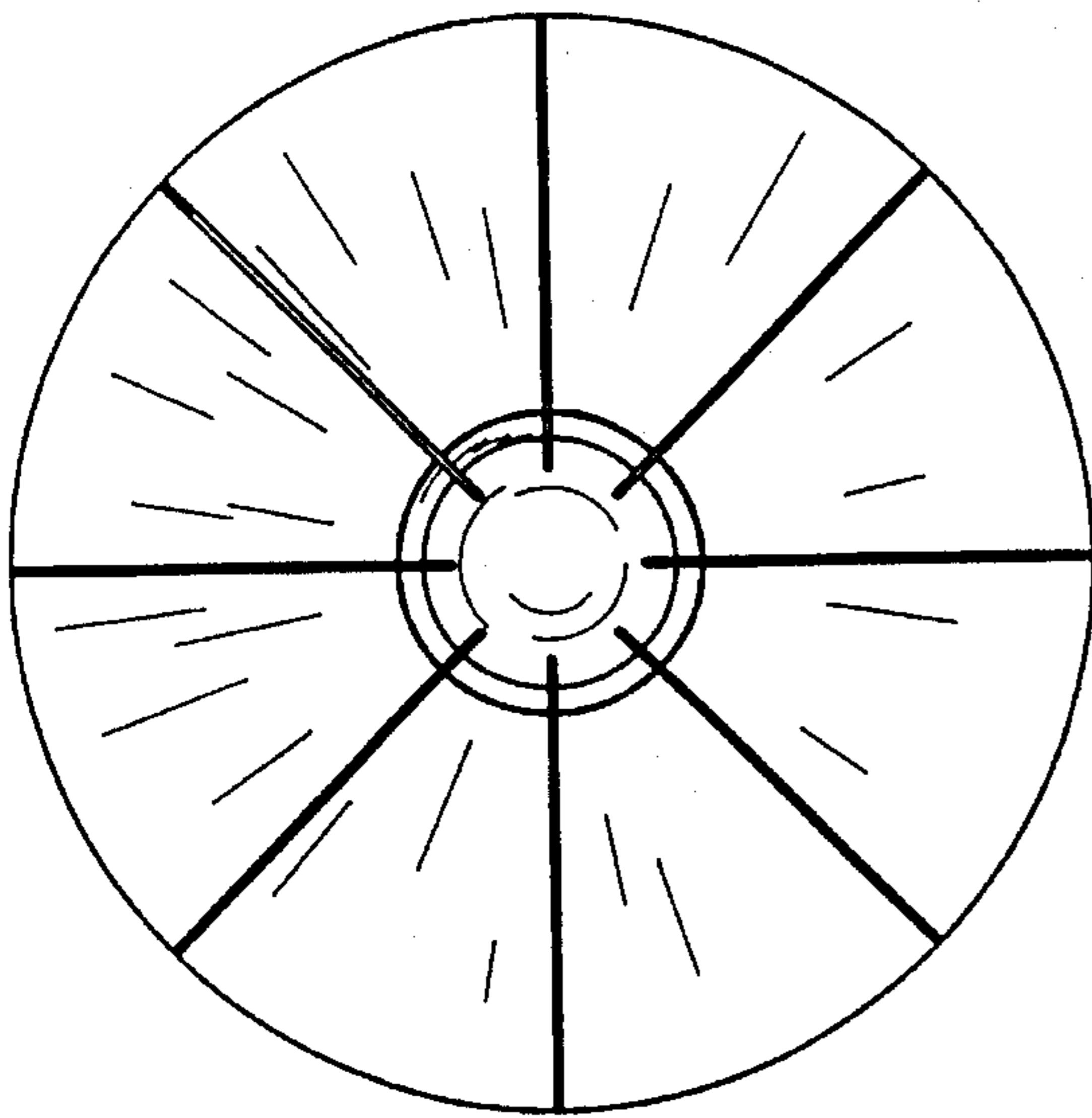


FIG. 54

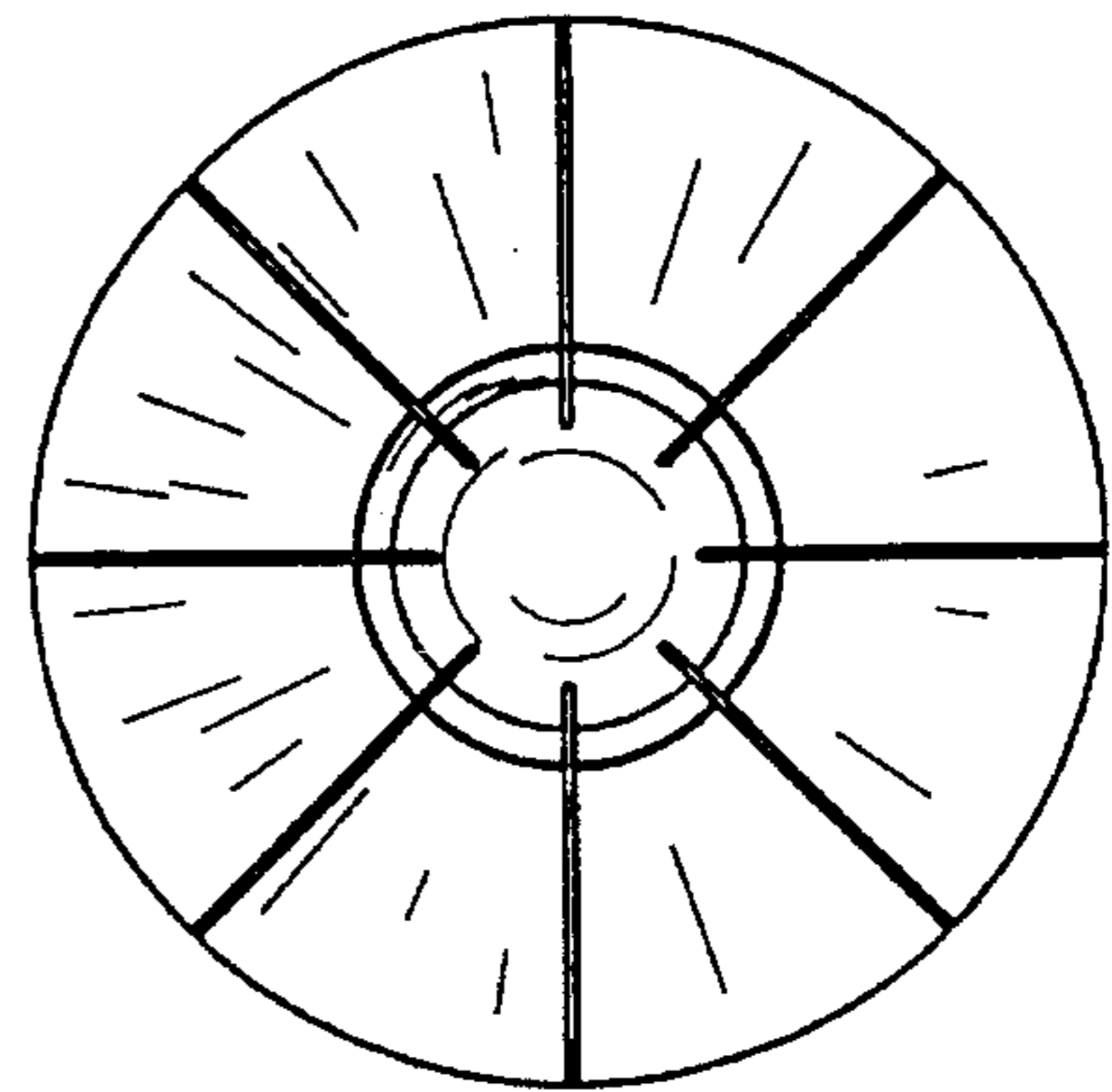


FIG. 55

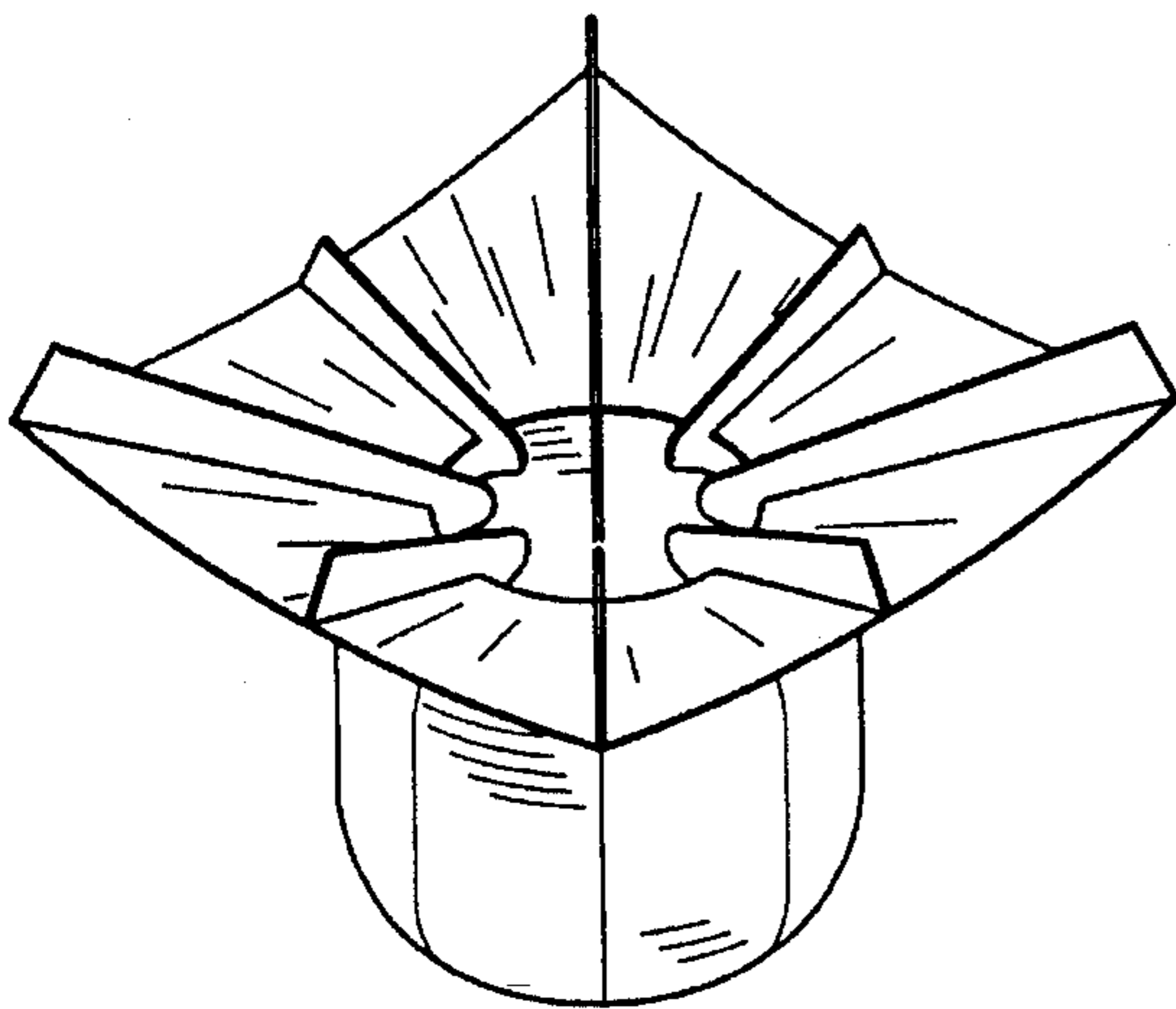


FIG. 56

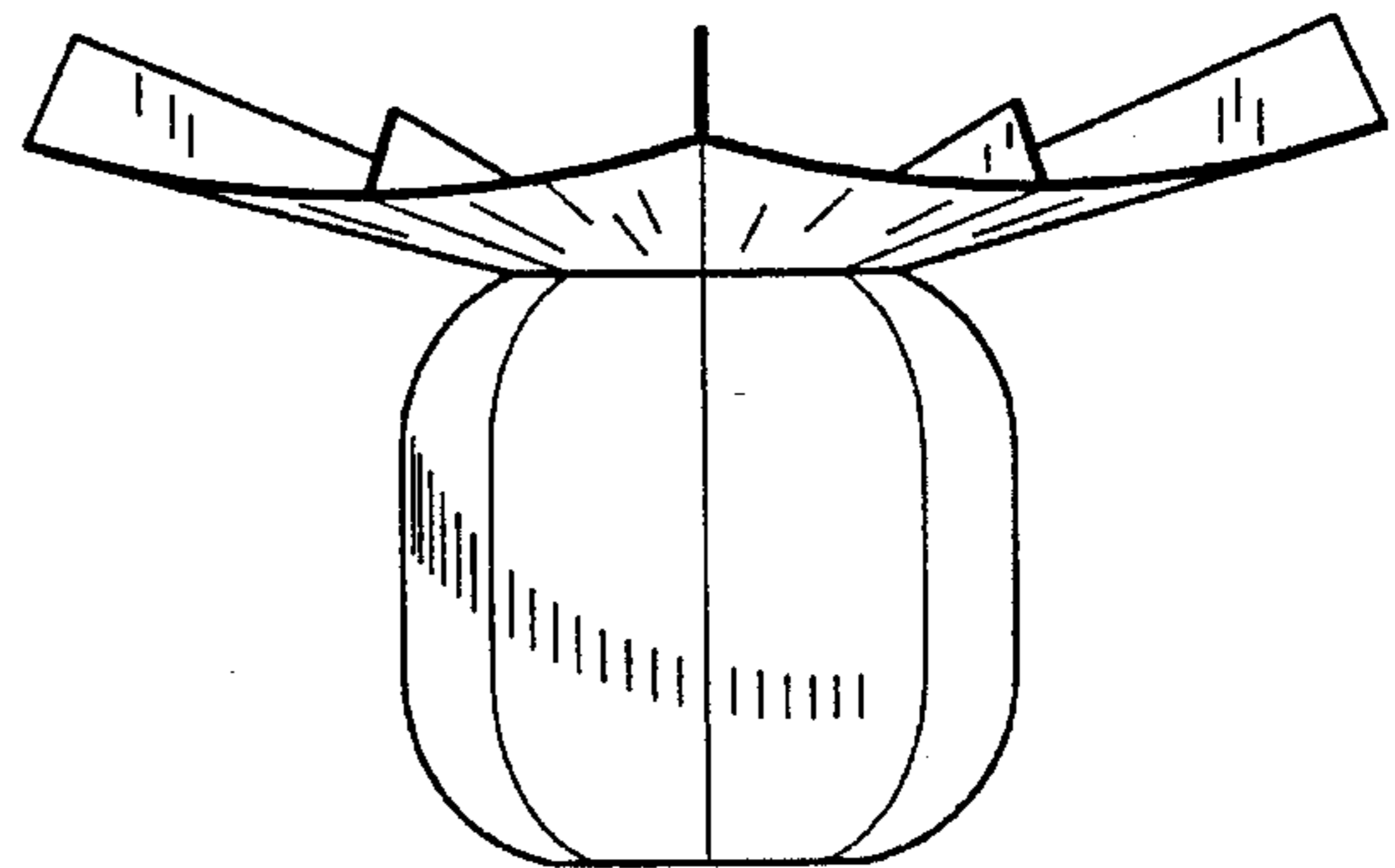


FIG. 57

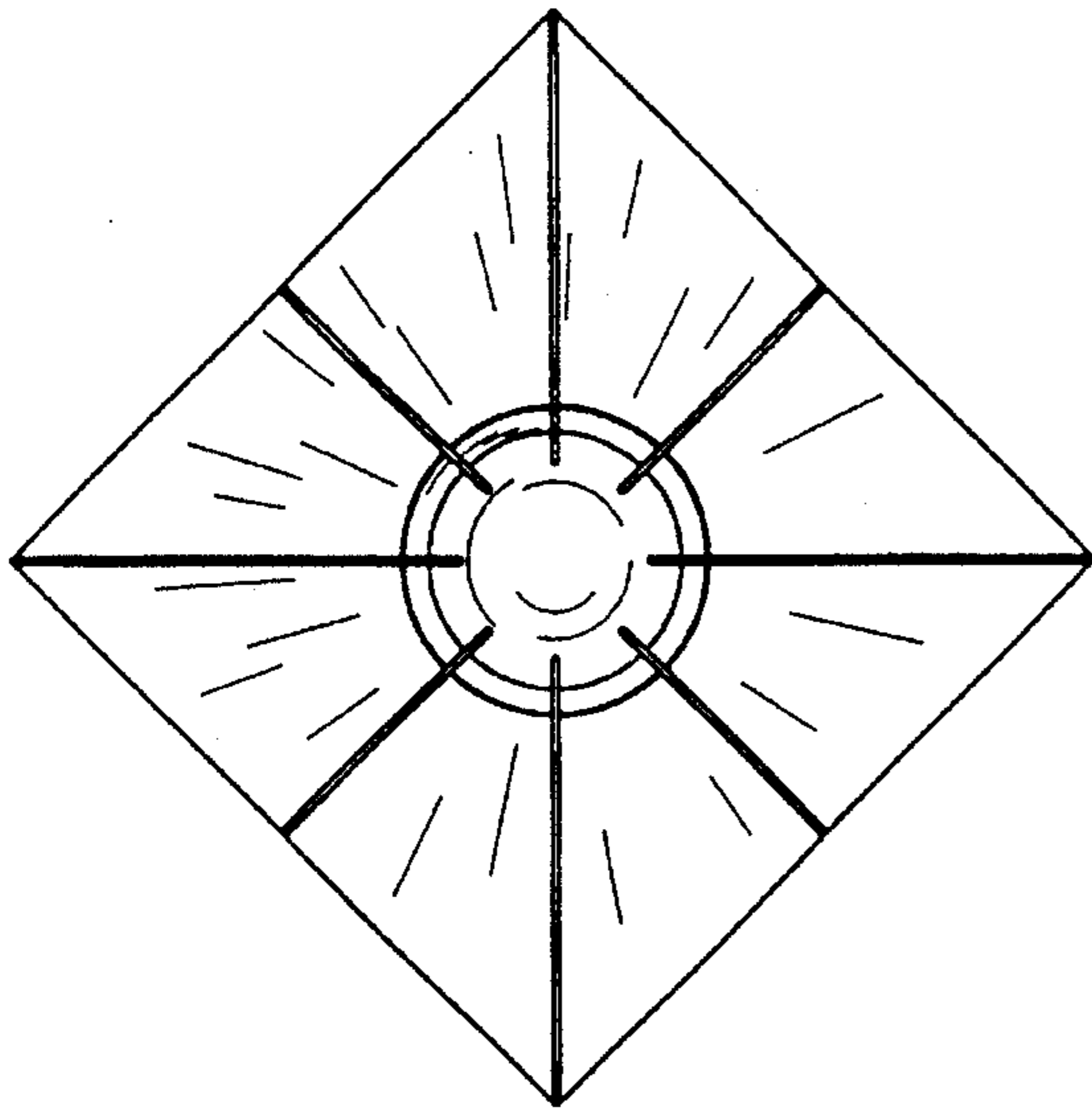


FIG. 58

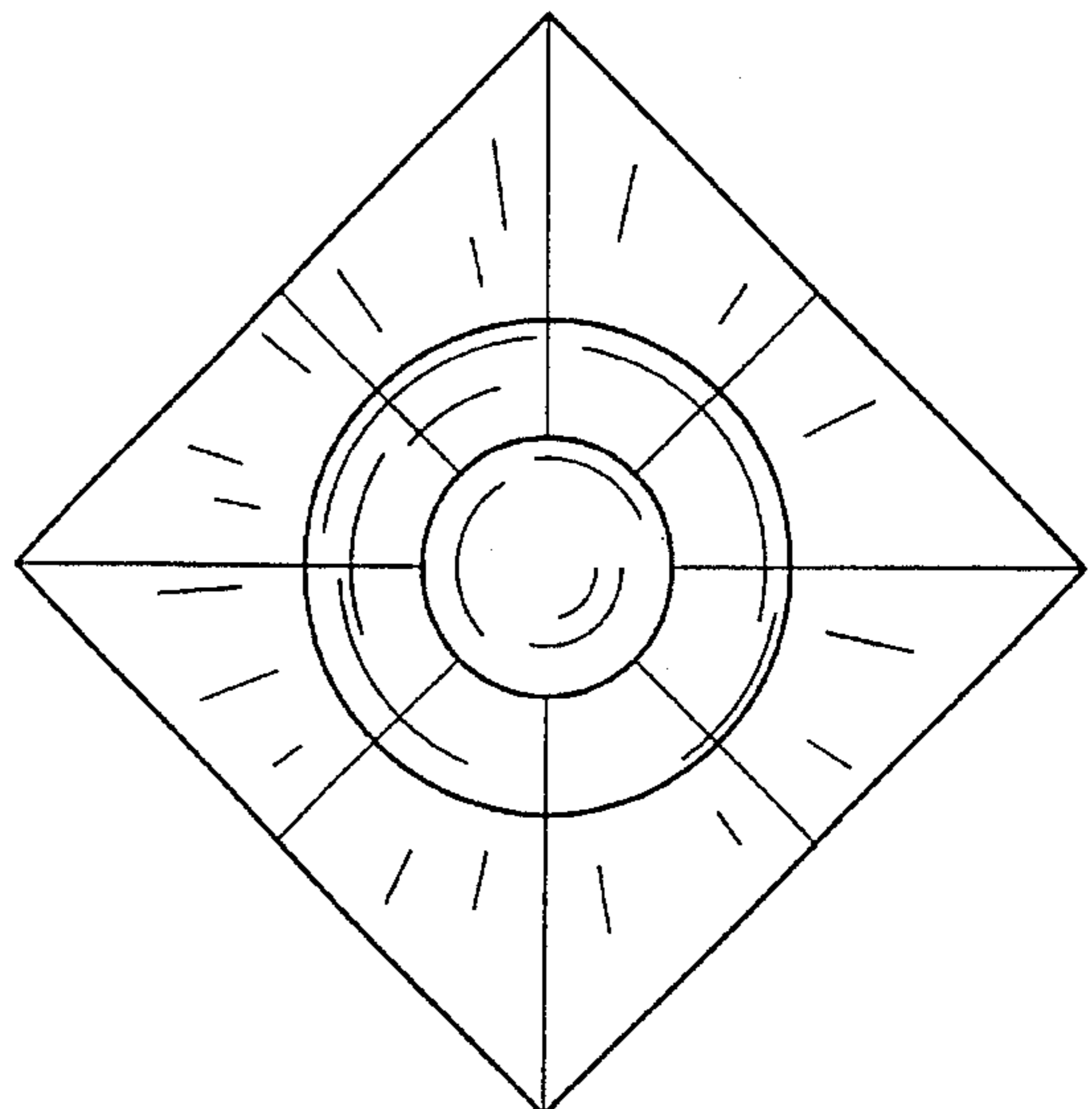


FIG. 59

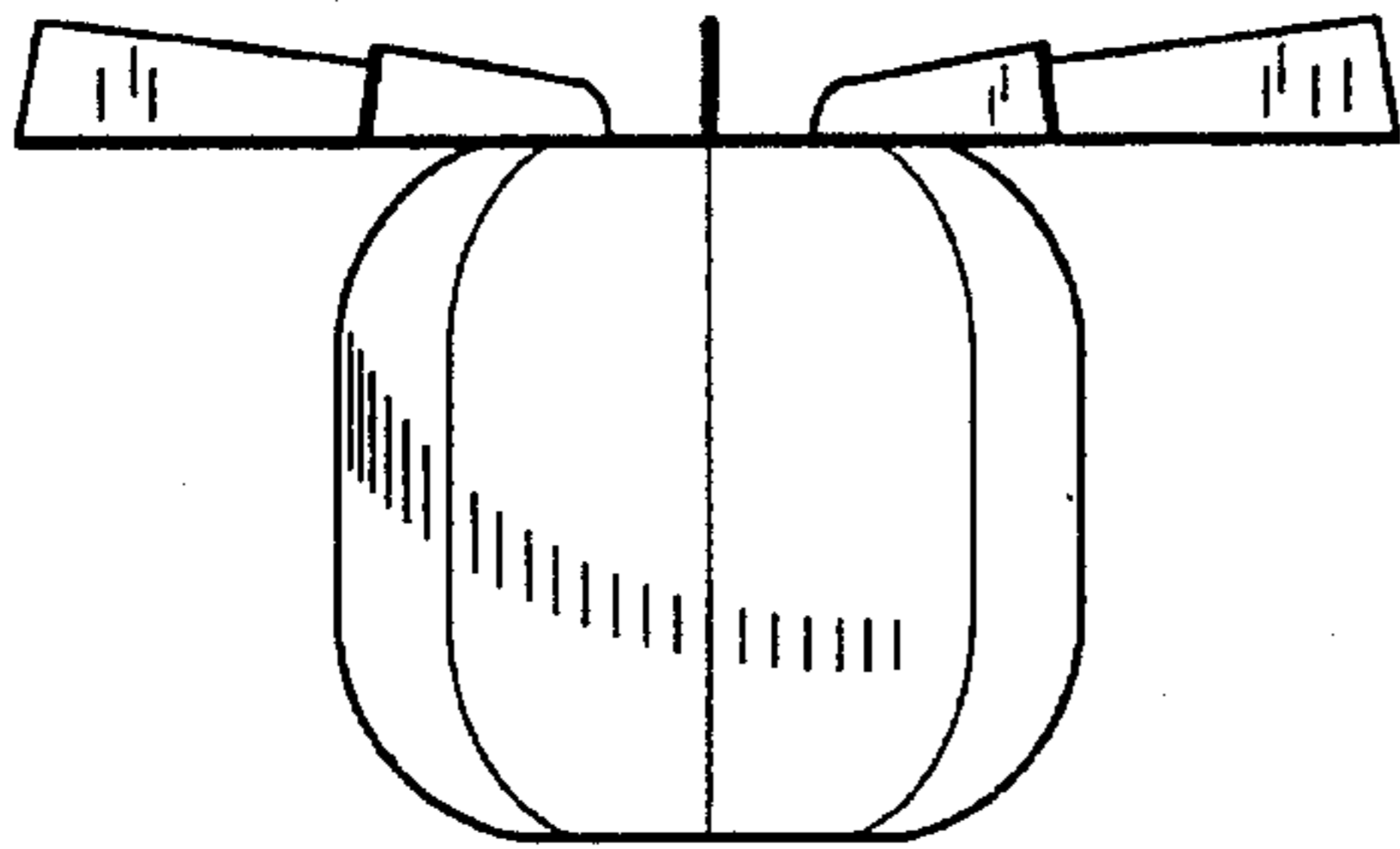


FIG. 60

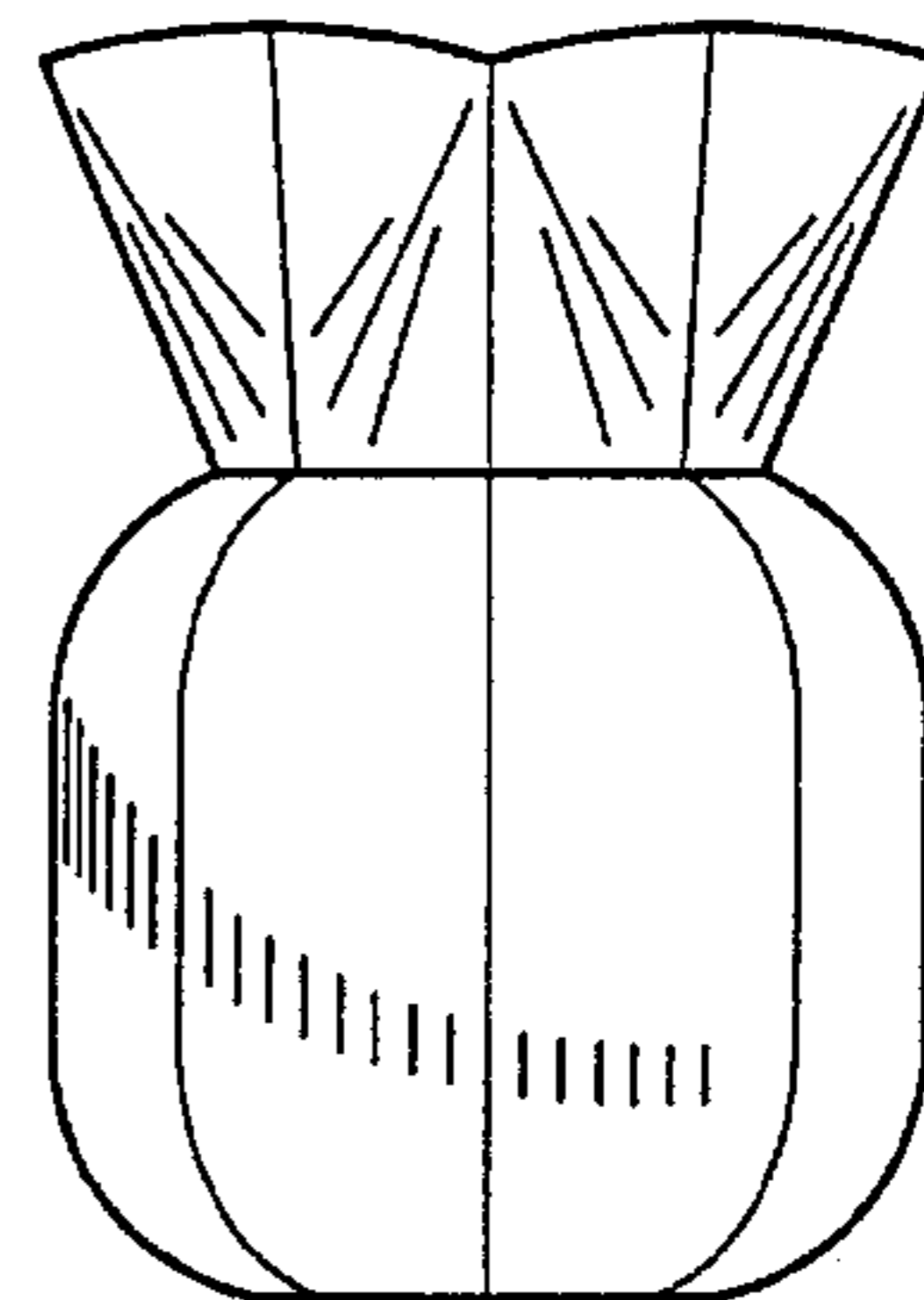


FIG. 61

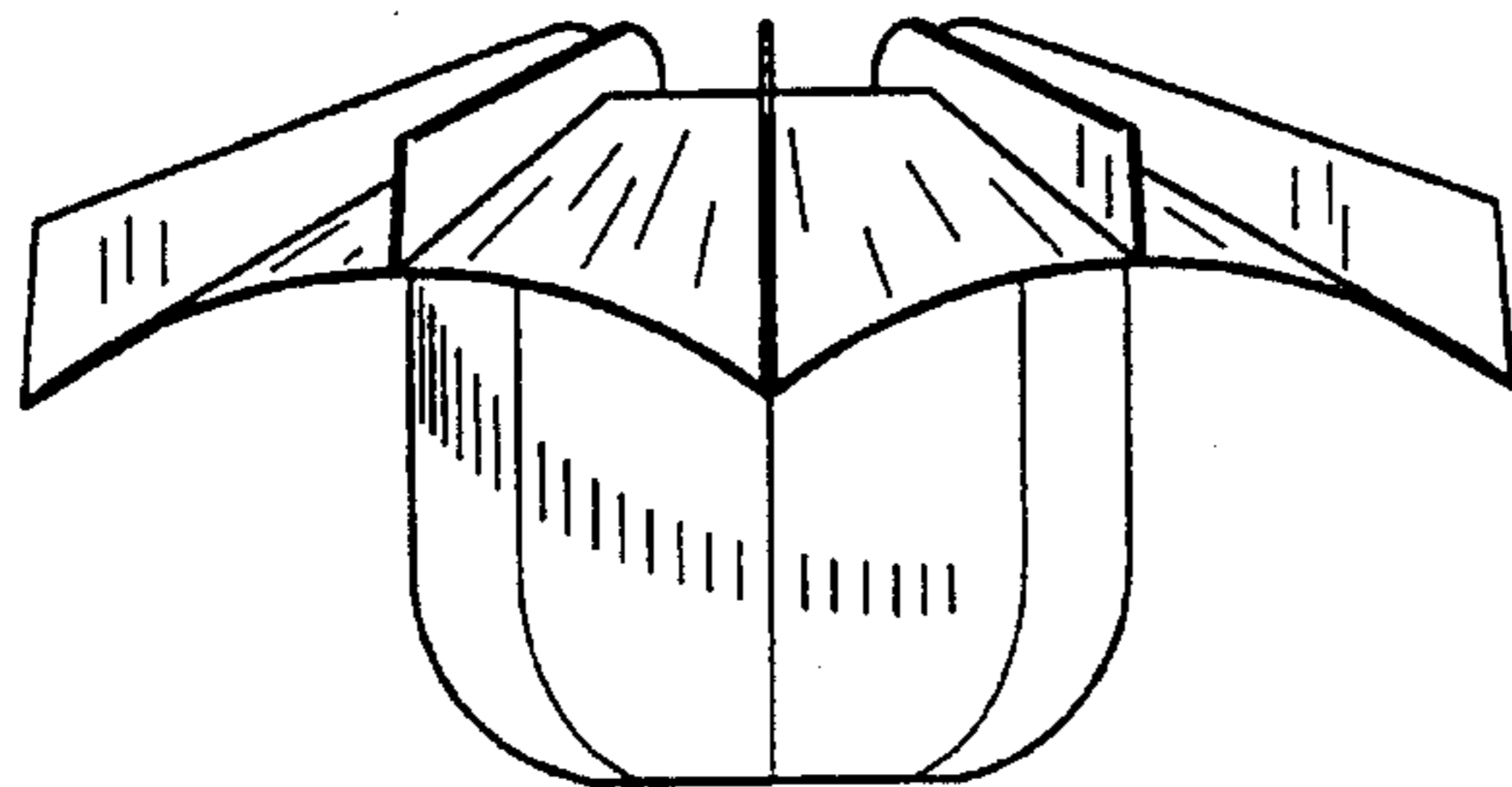


FIG. 62

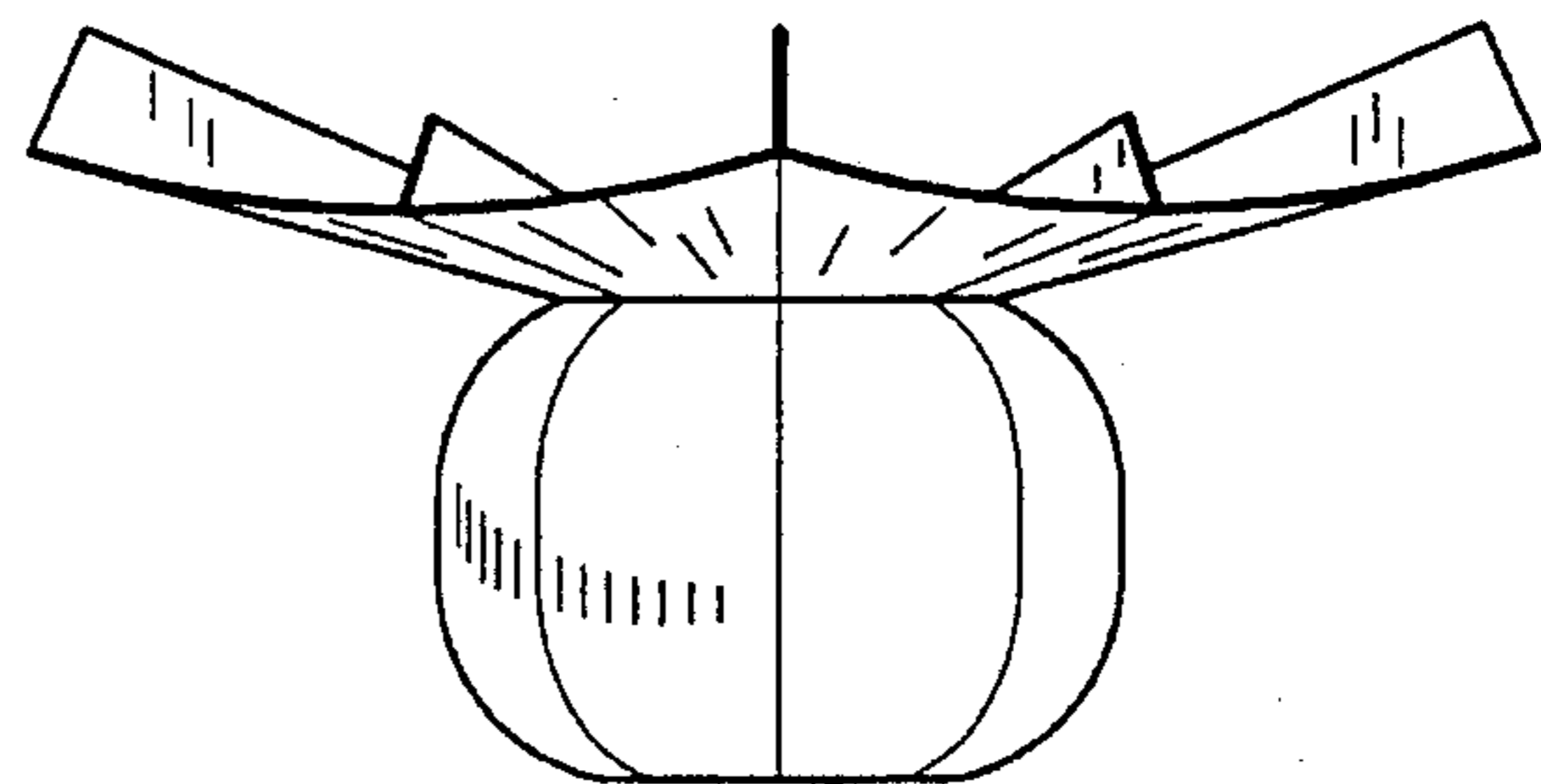


FIG. 63

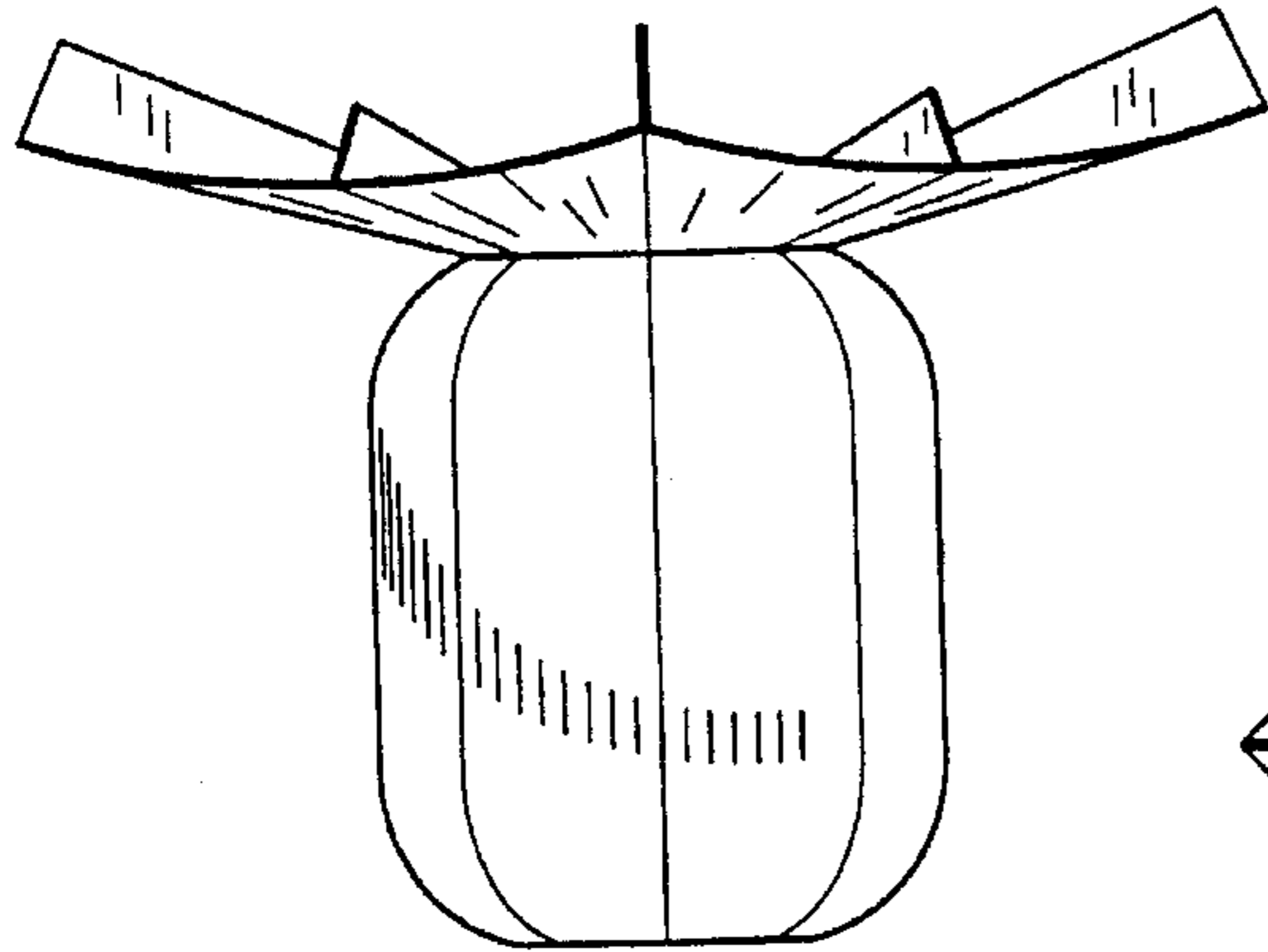


FIG. 54

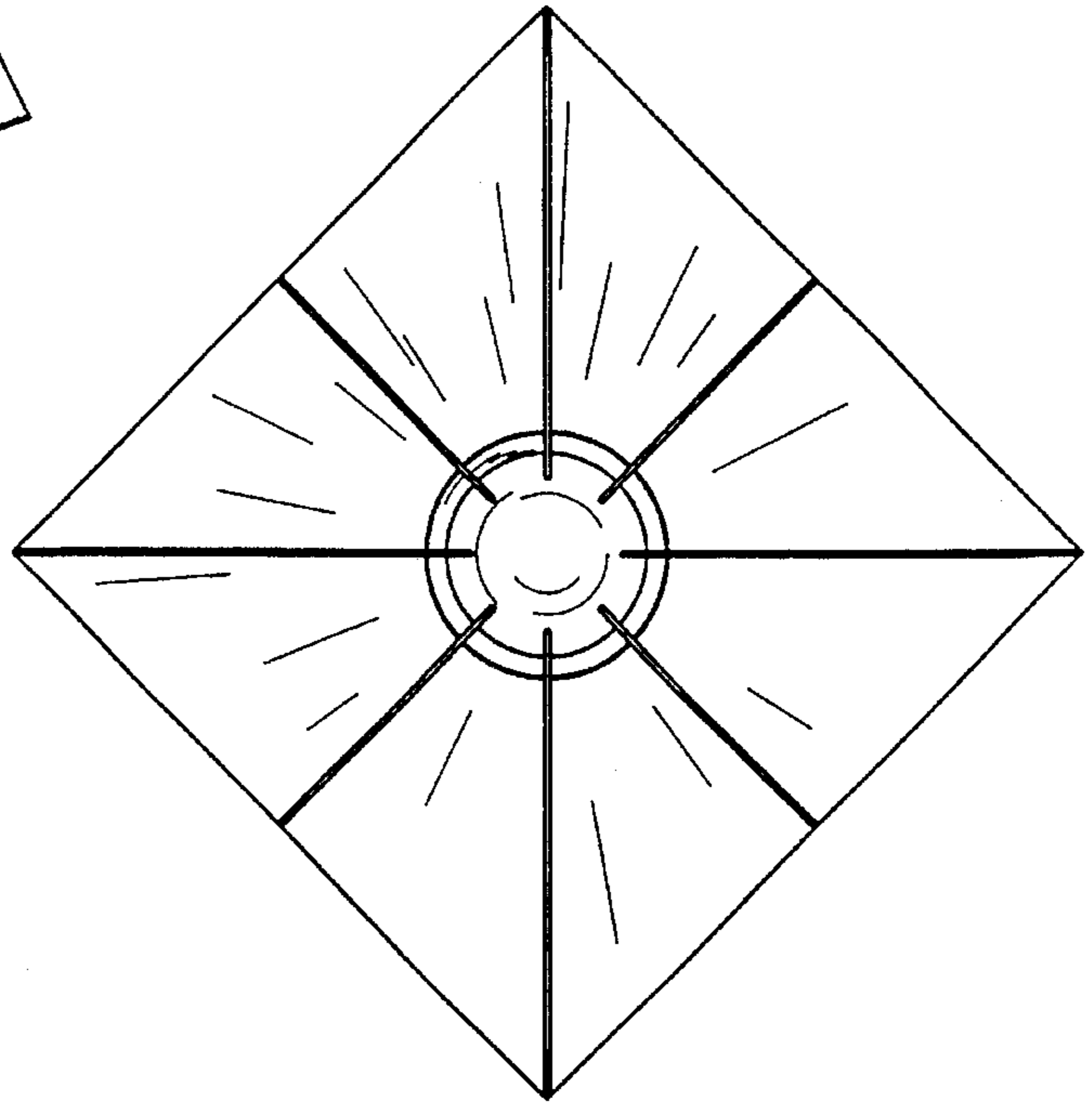


FIG. 55

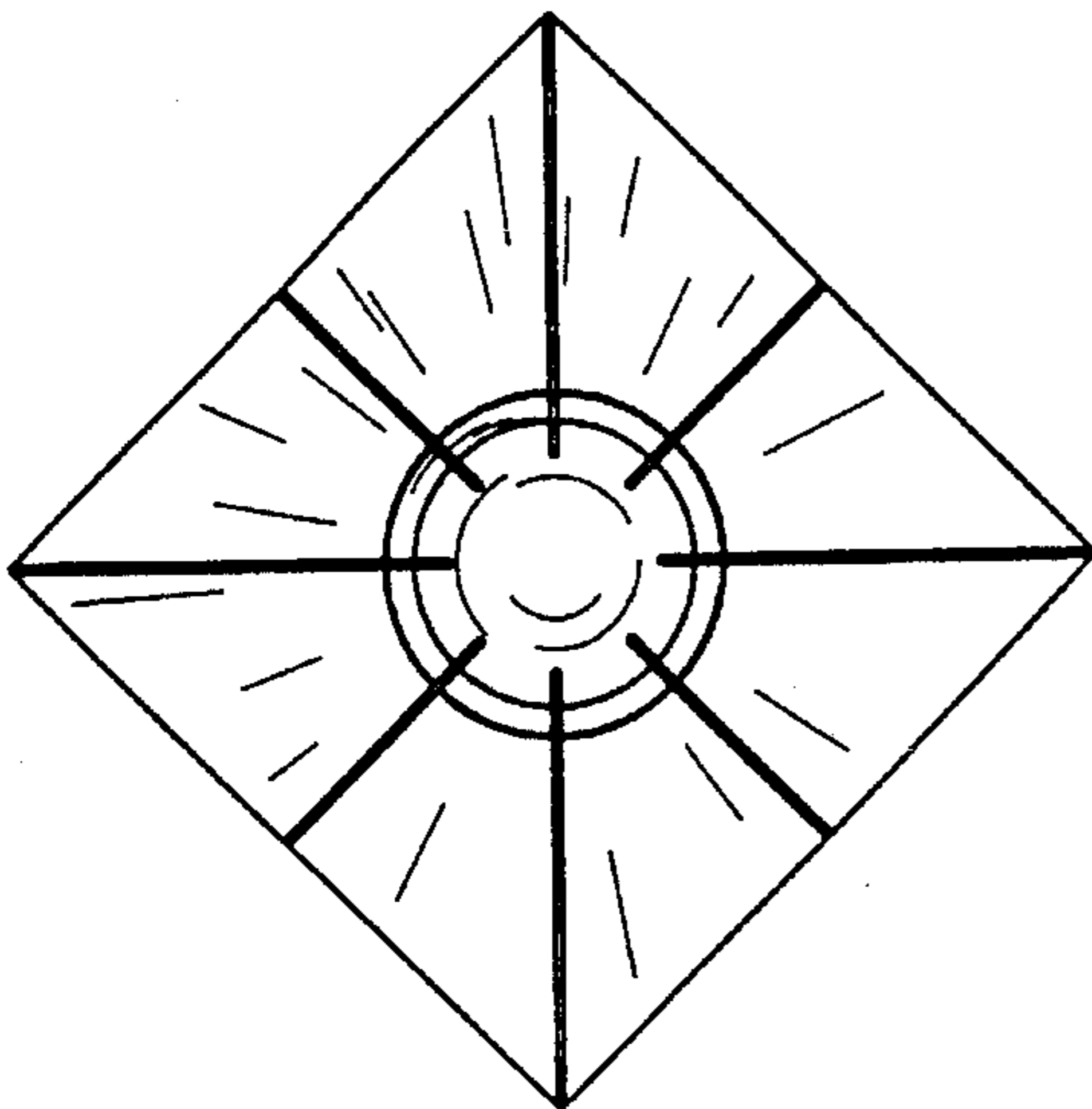


FIG. 56

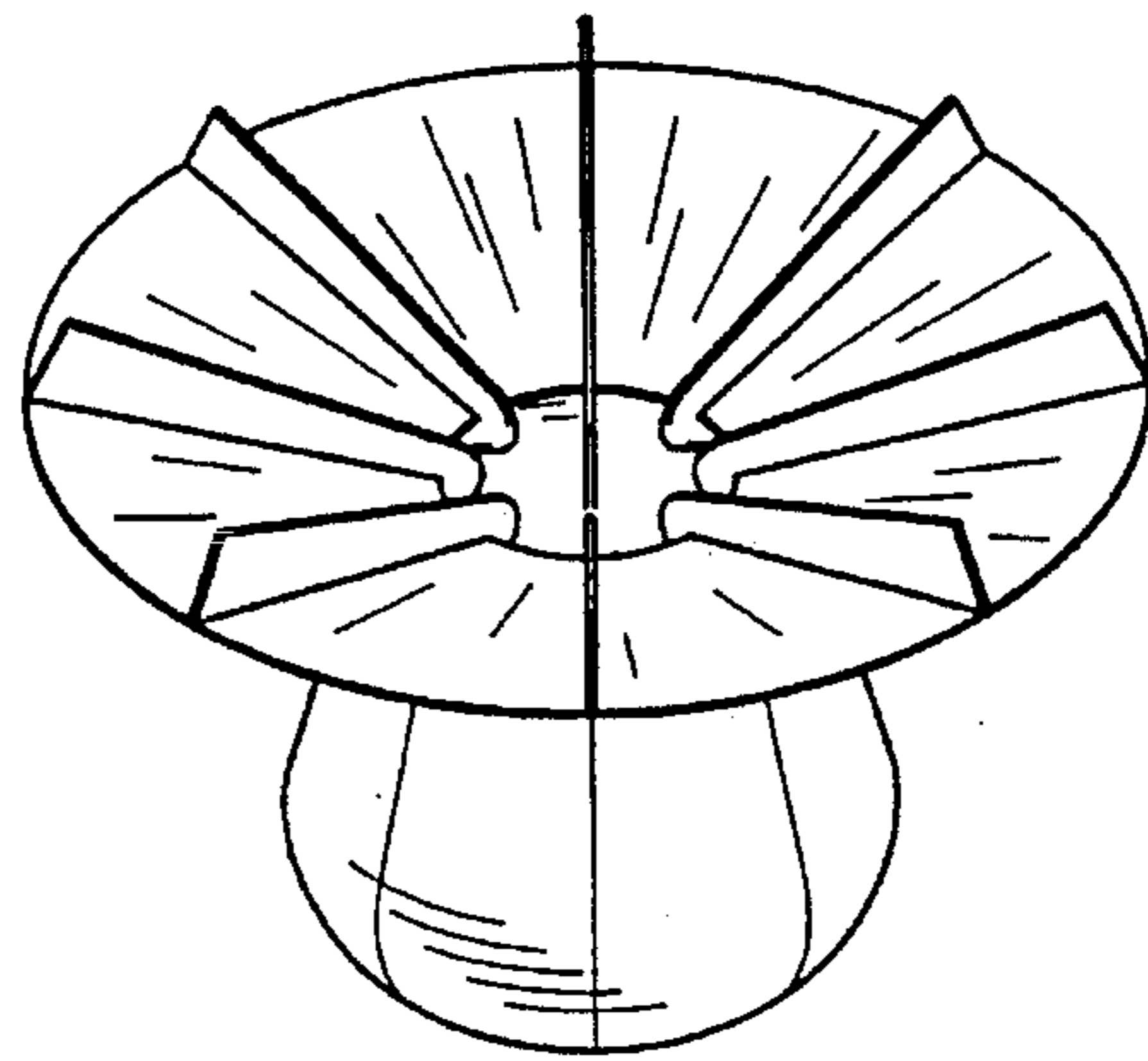


FIG. 57

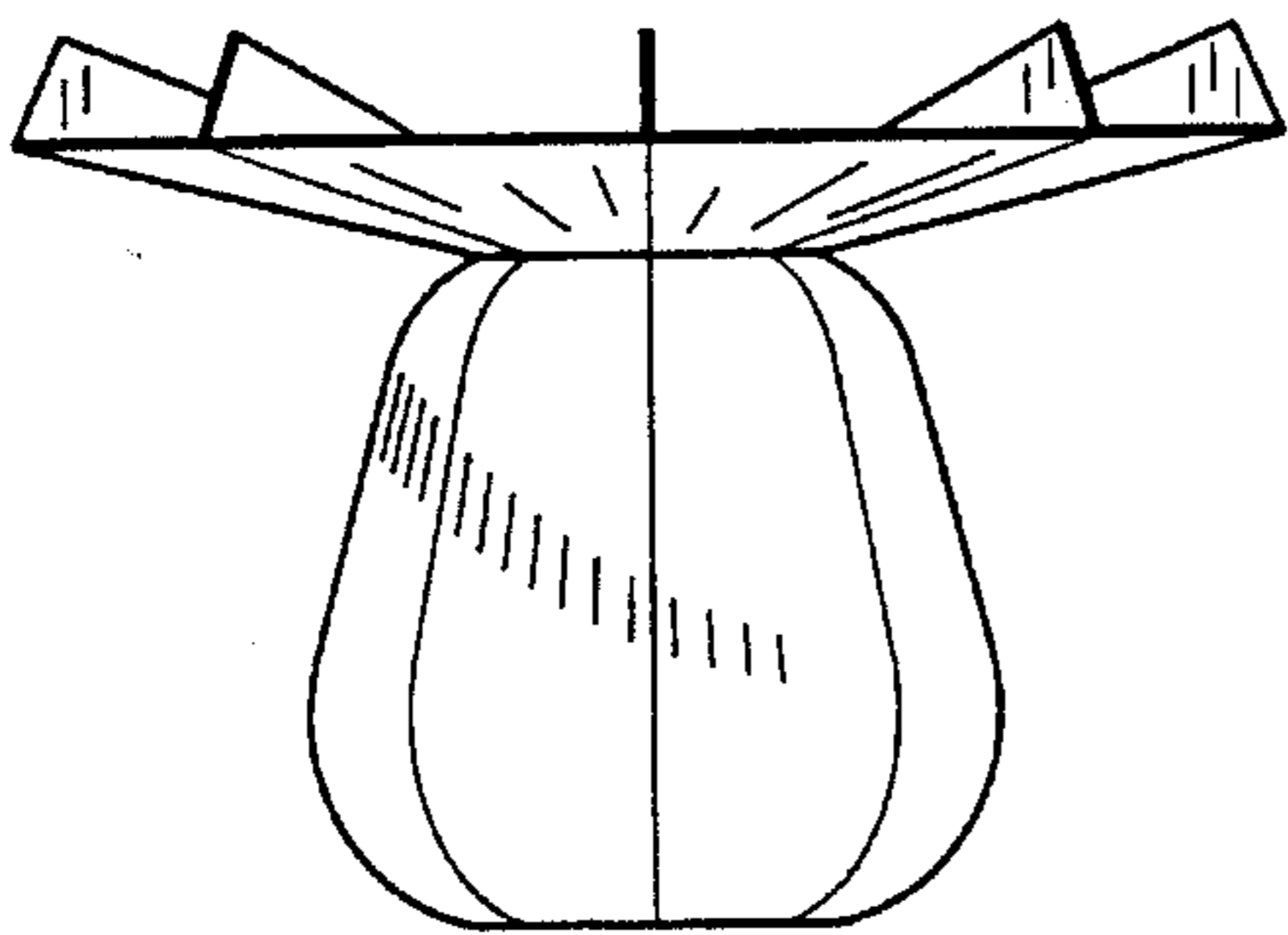


FIG. 58

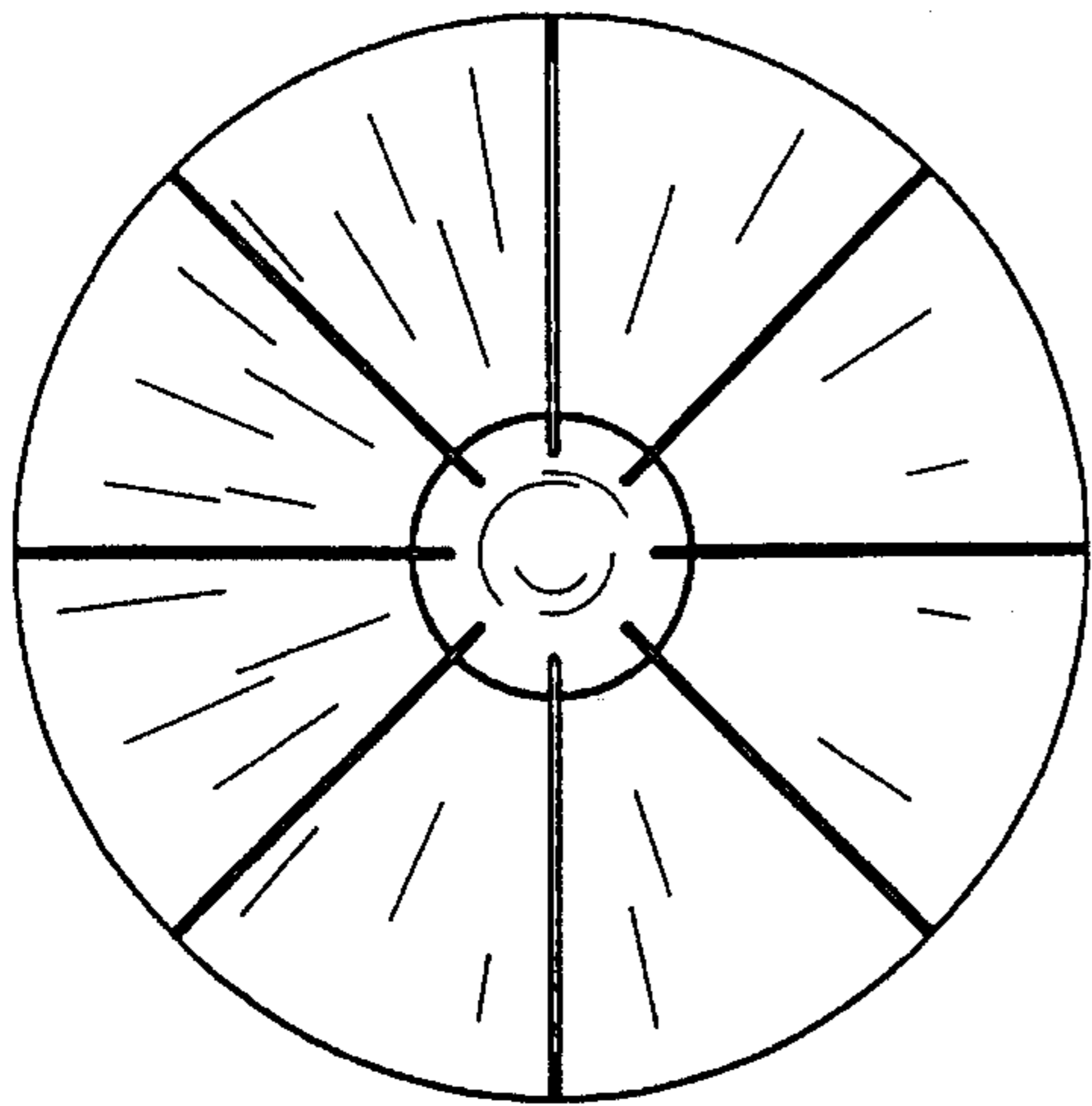


FIG. 19

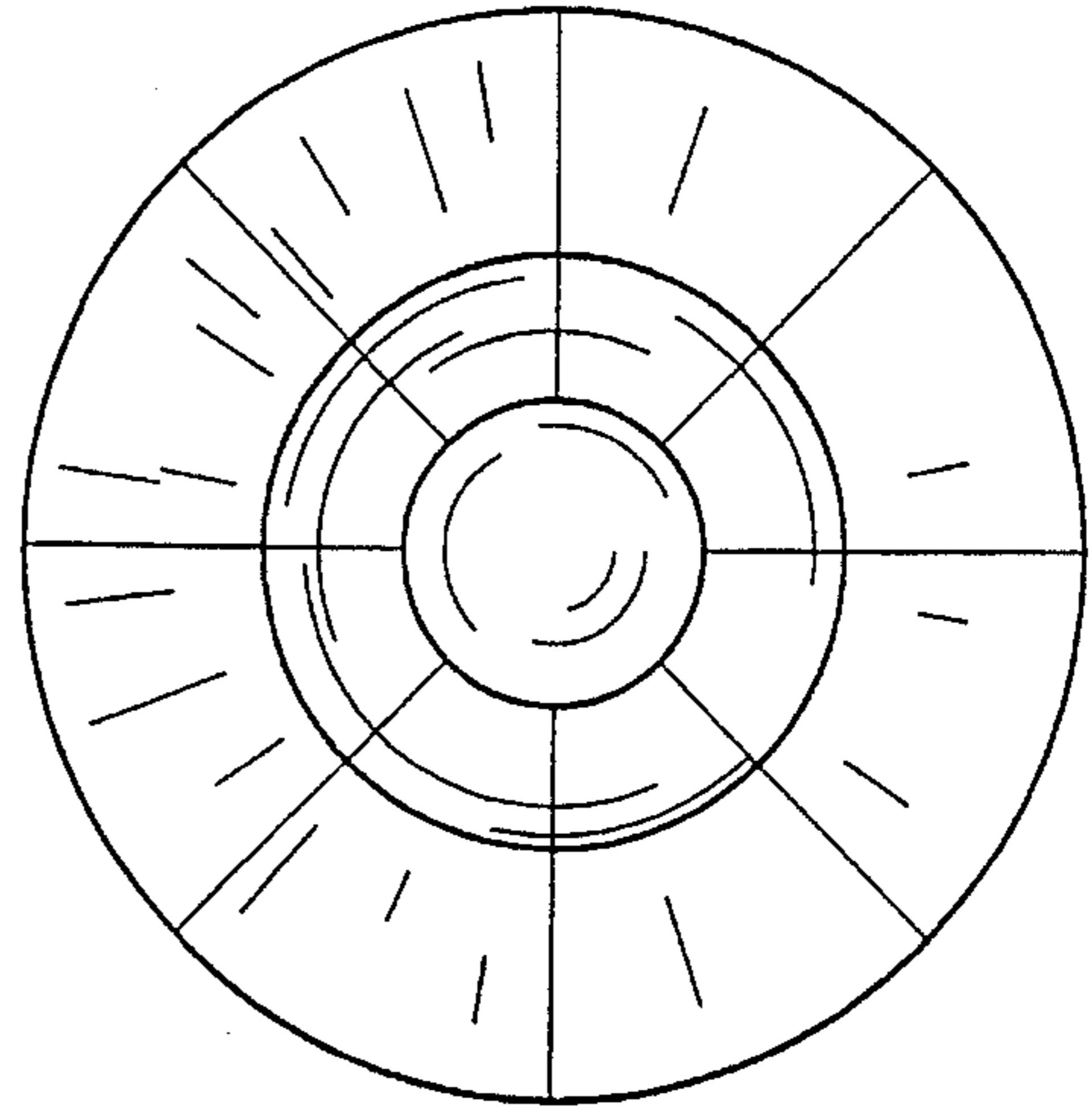


FIG. 20

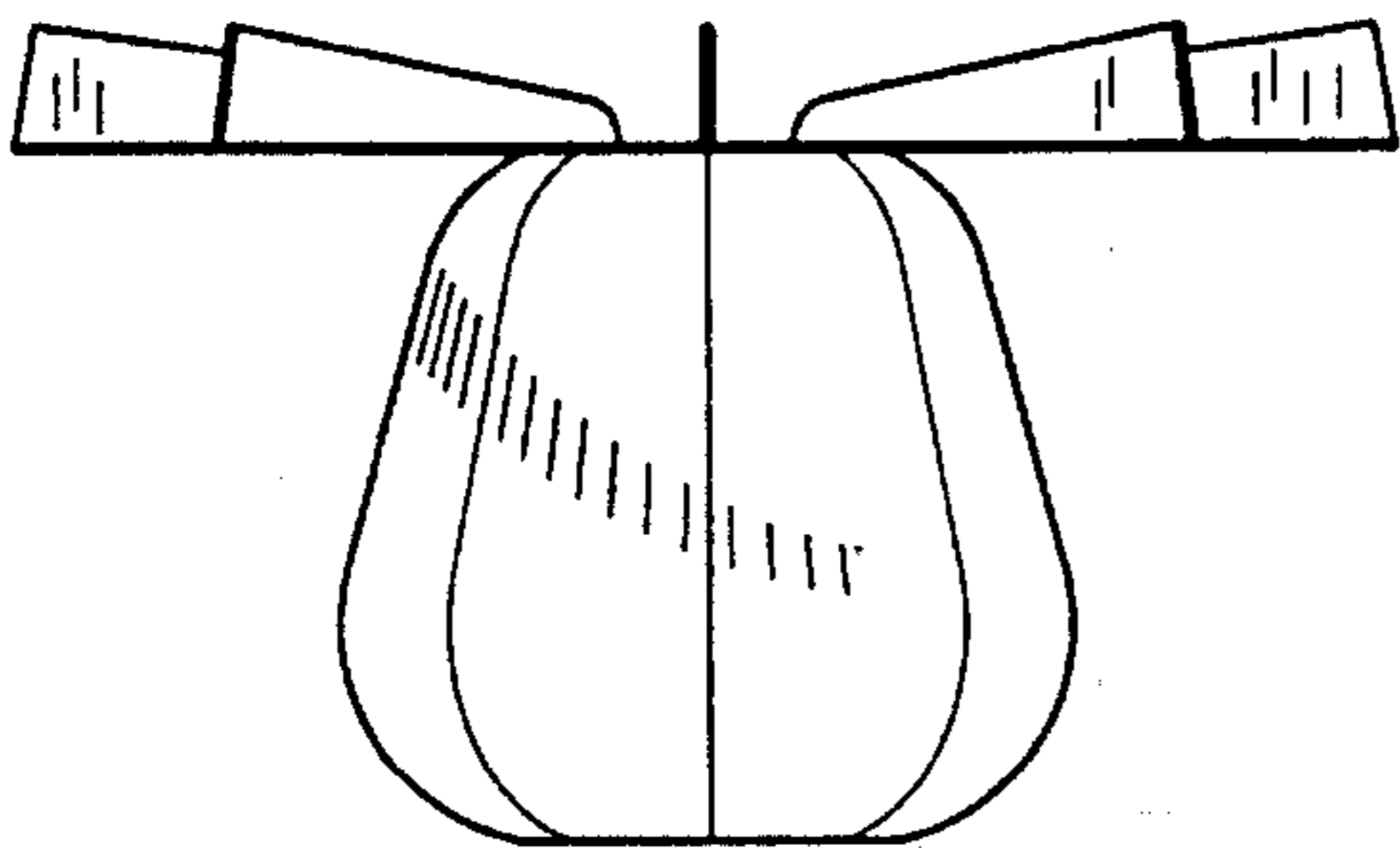


FIG. 21

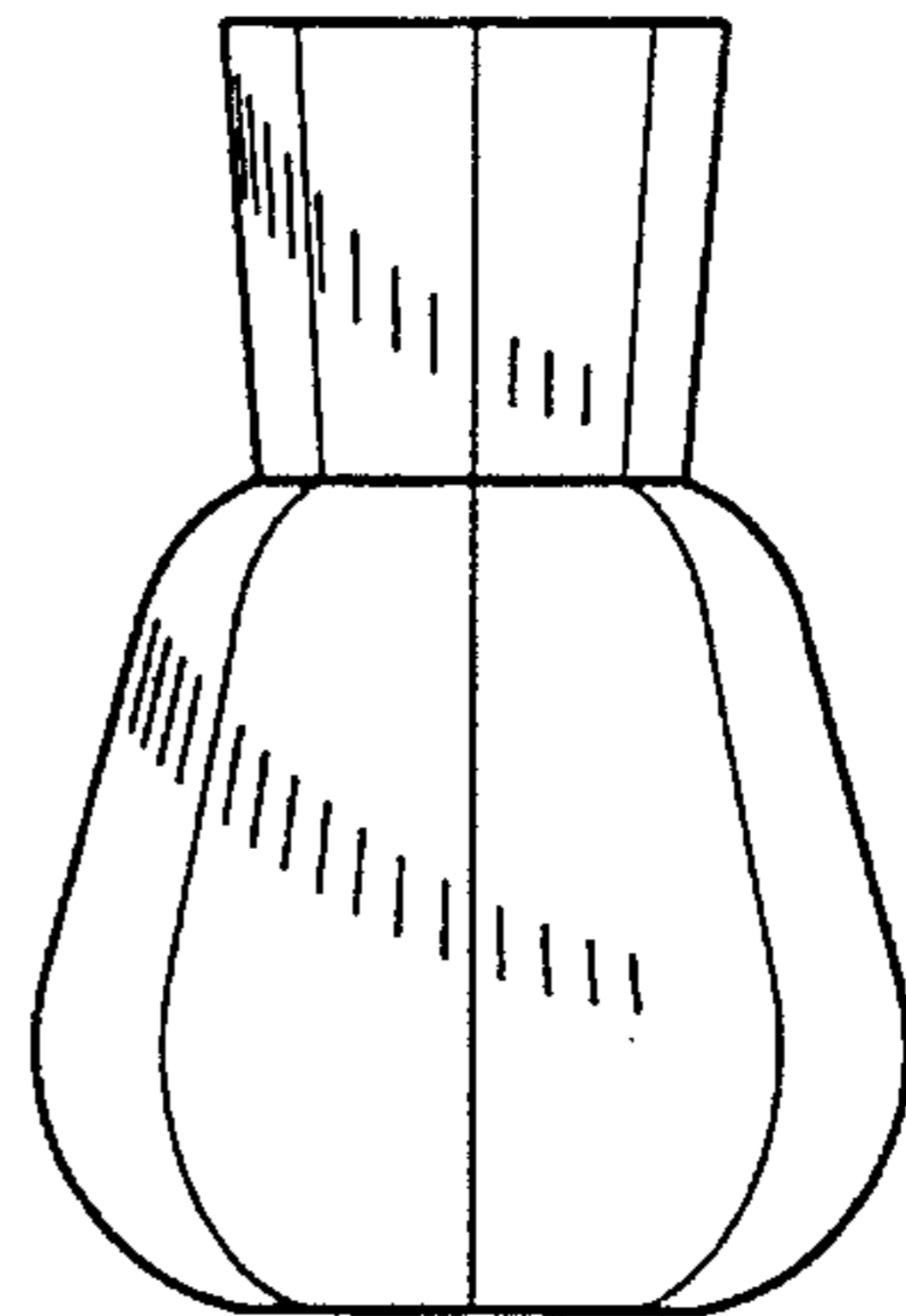


FIG. 22

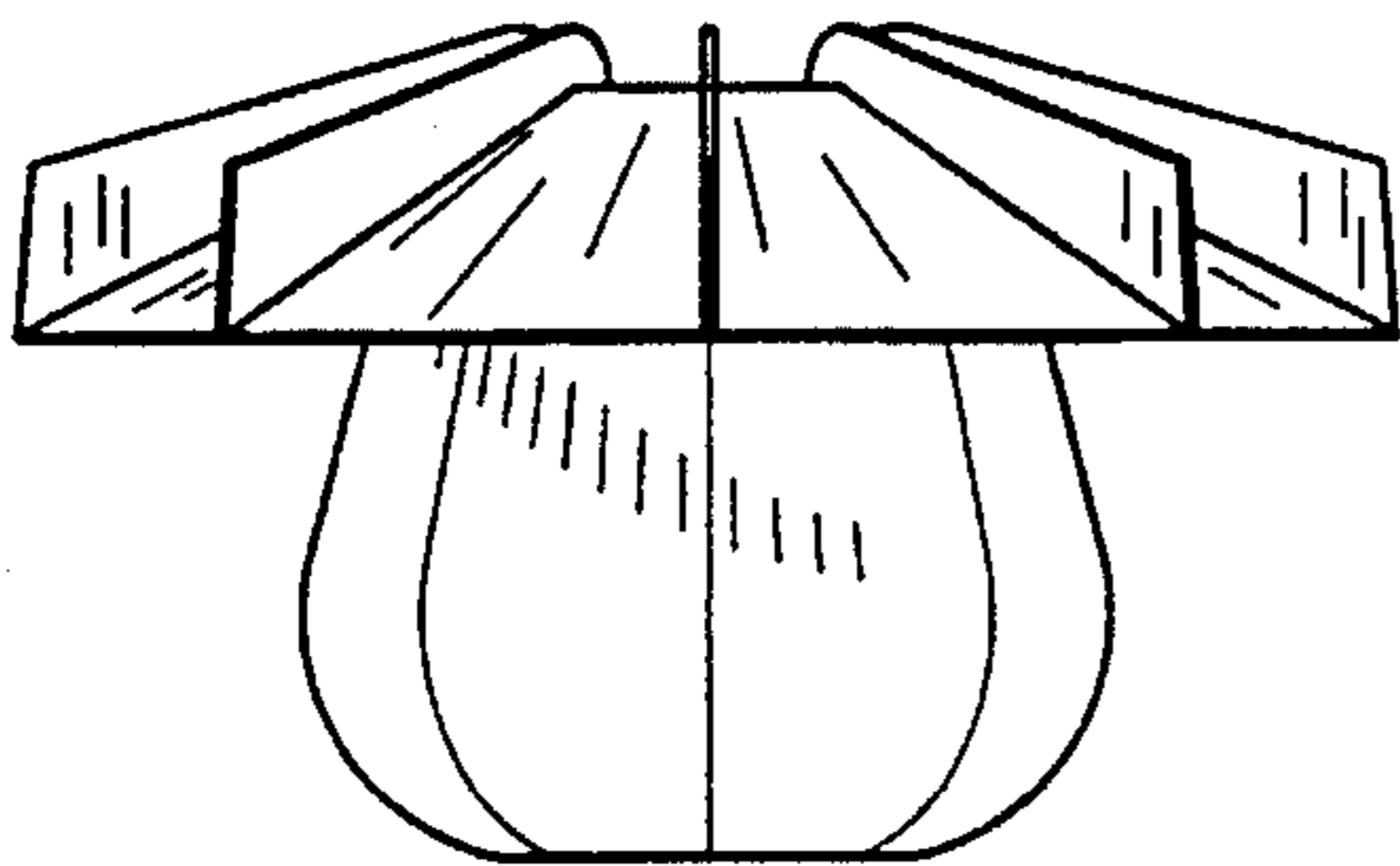


FIG. 23

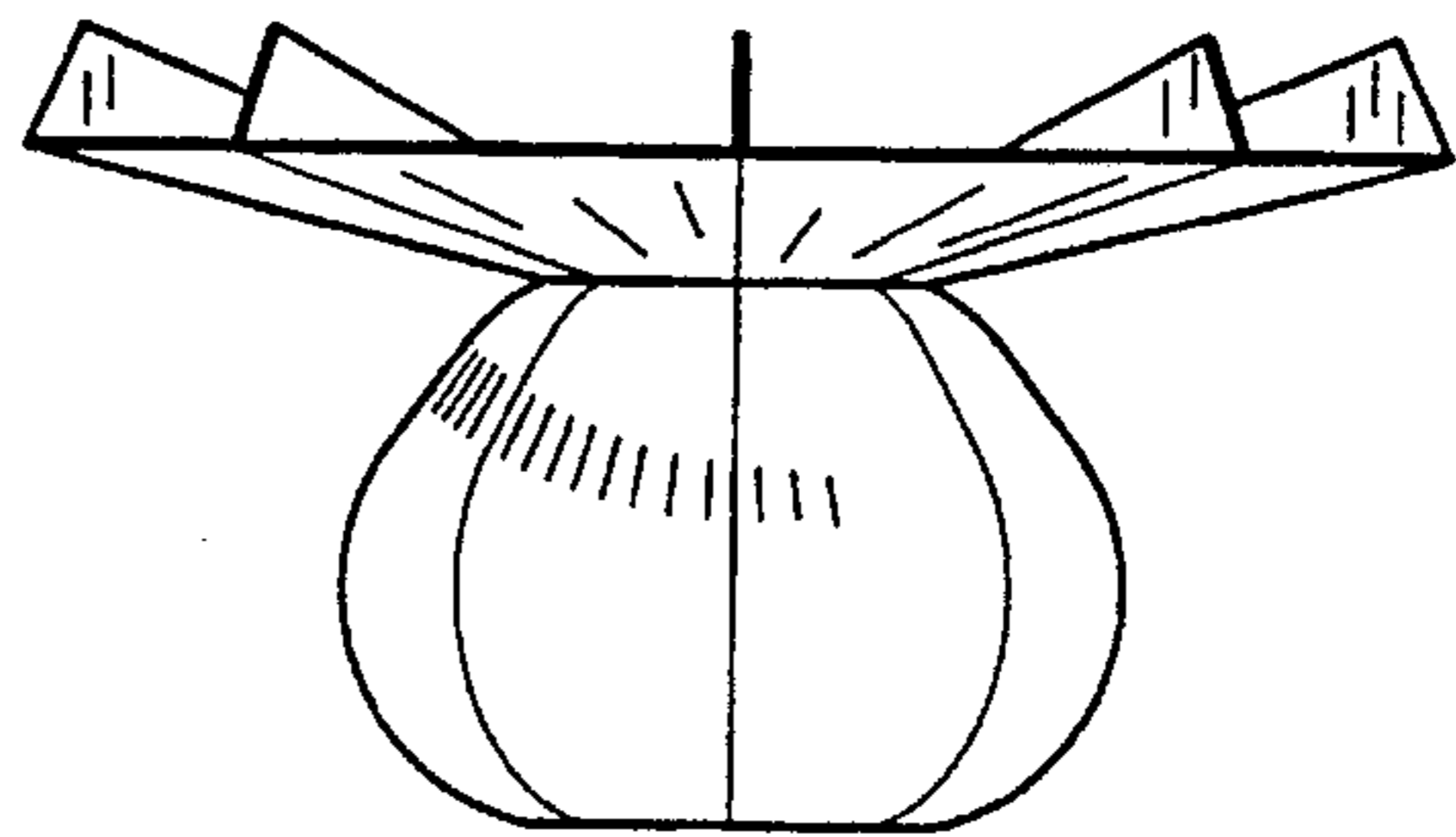


FIG. 24

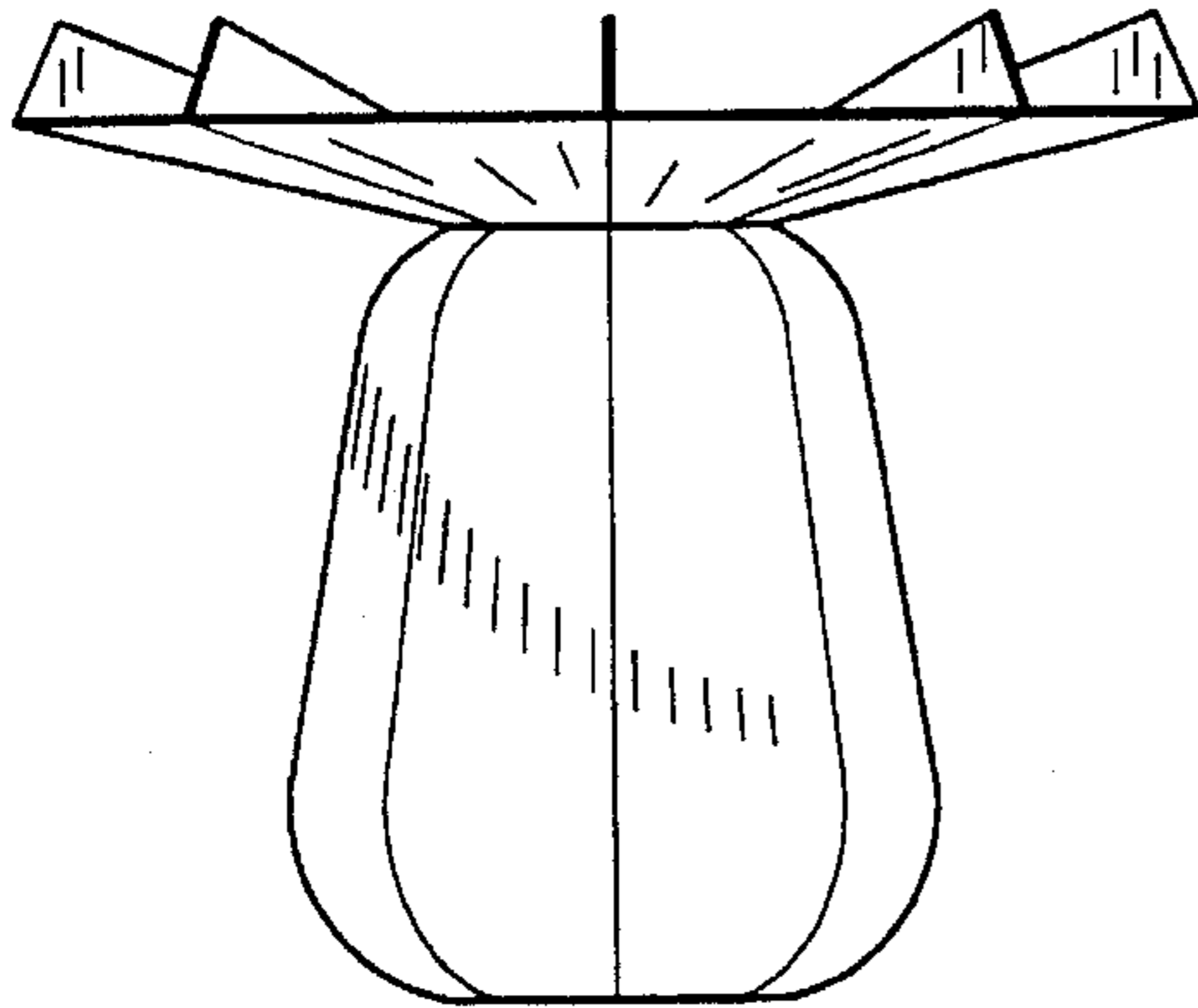


FIG. 25

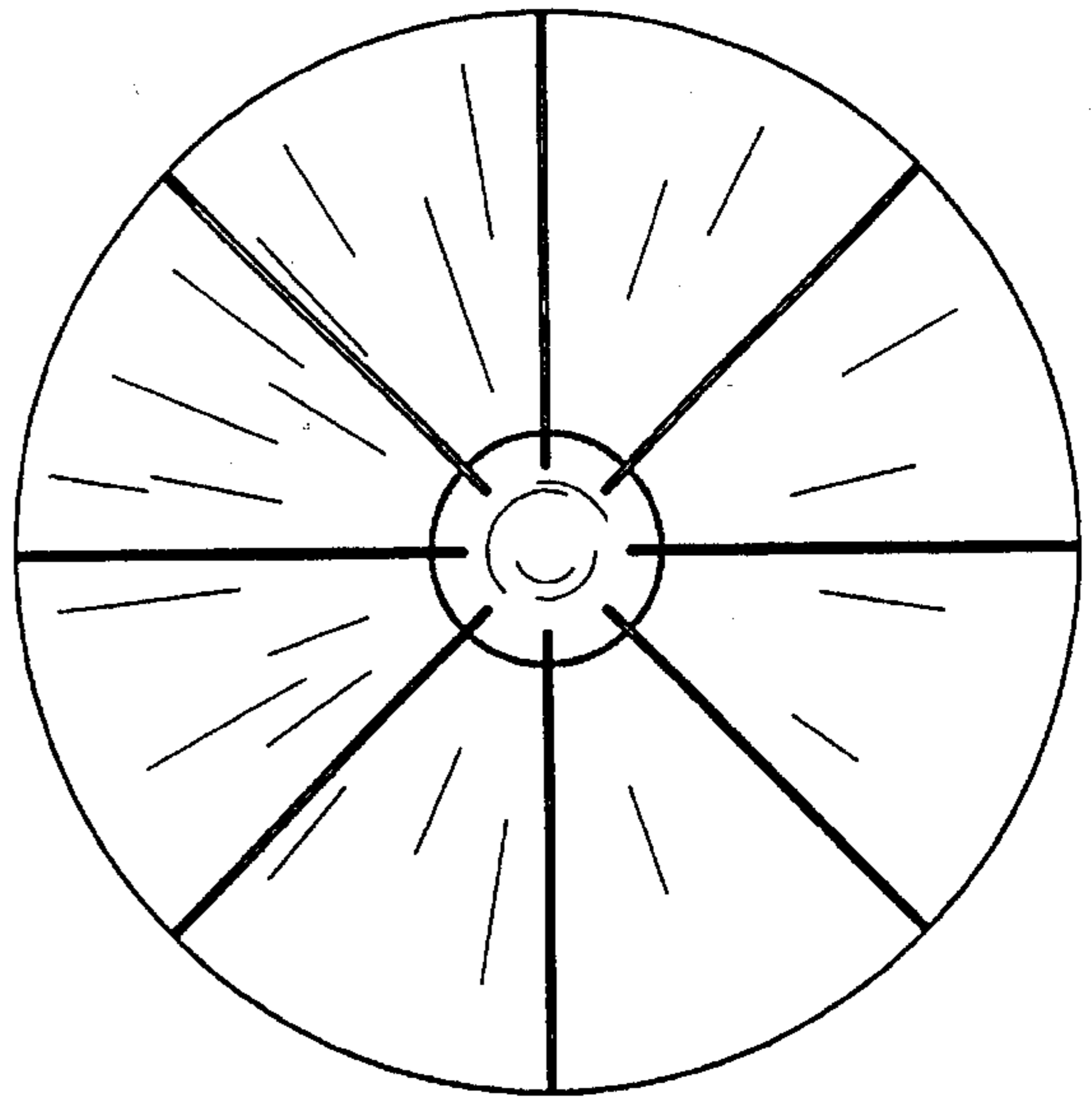


FIG. 26

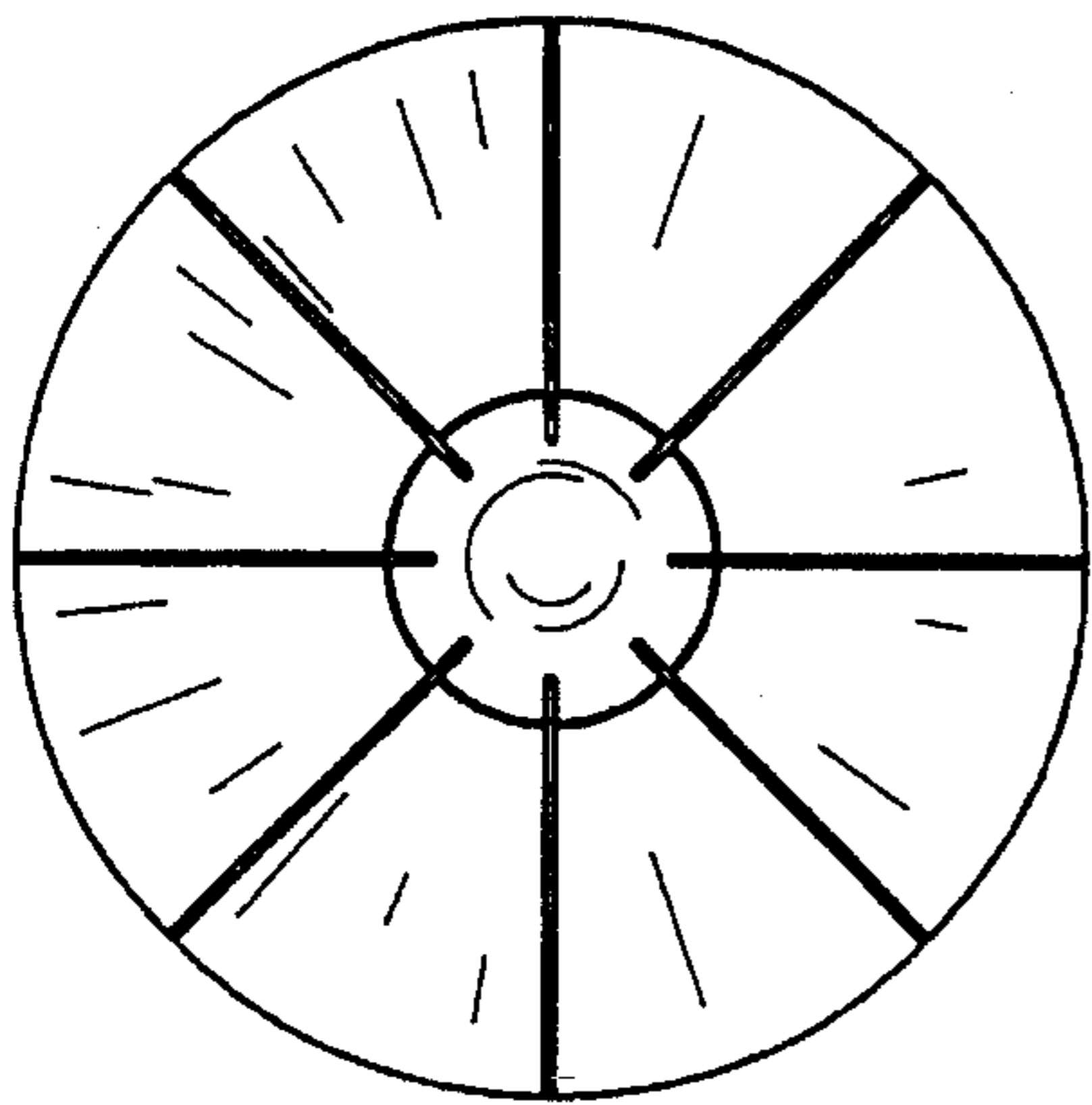


FIG. 27

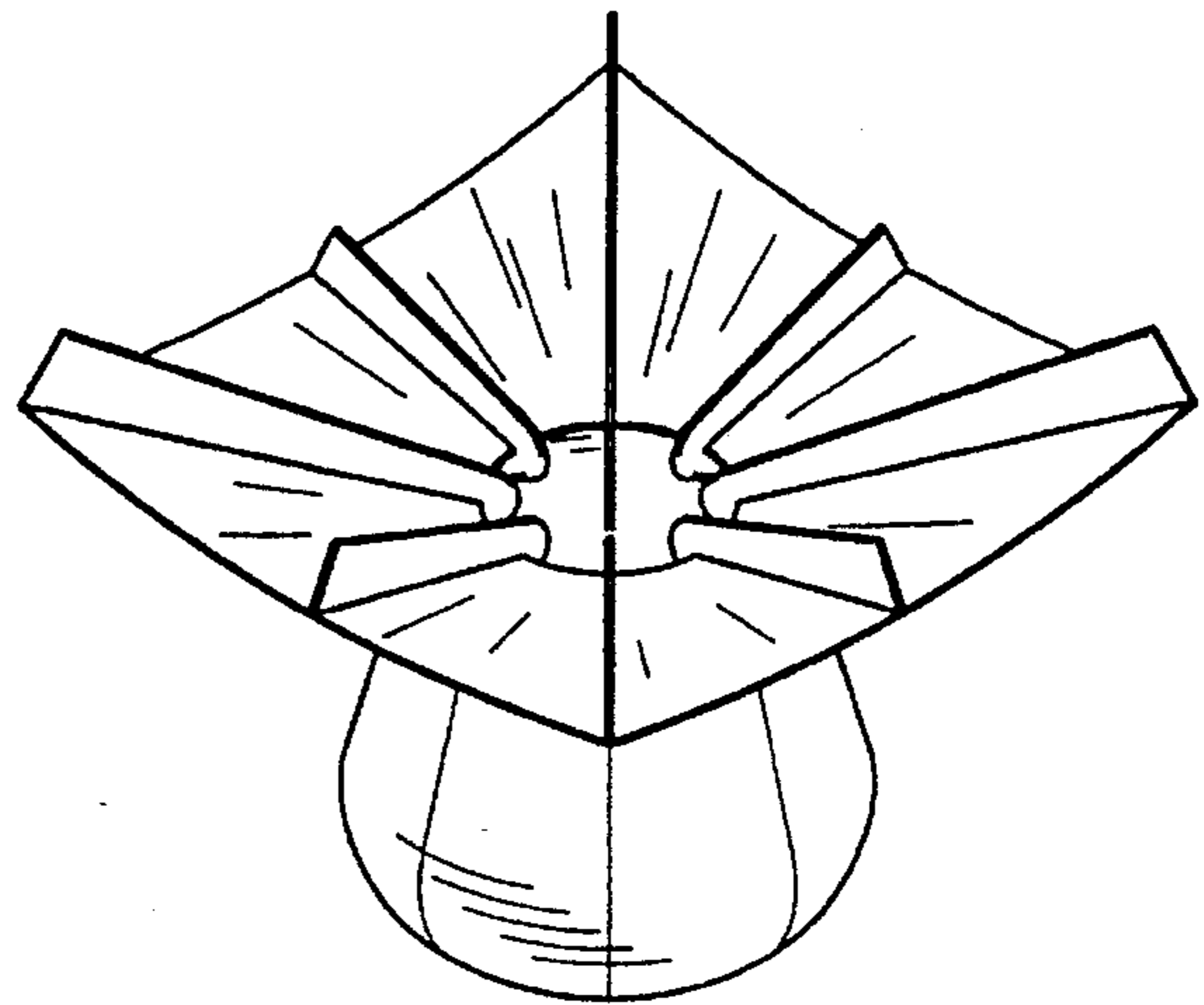


FIG. 28

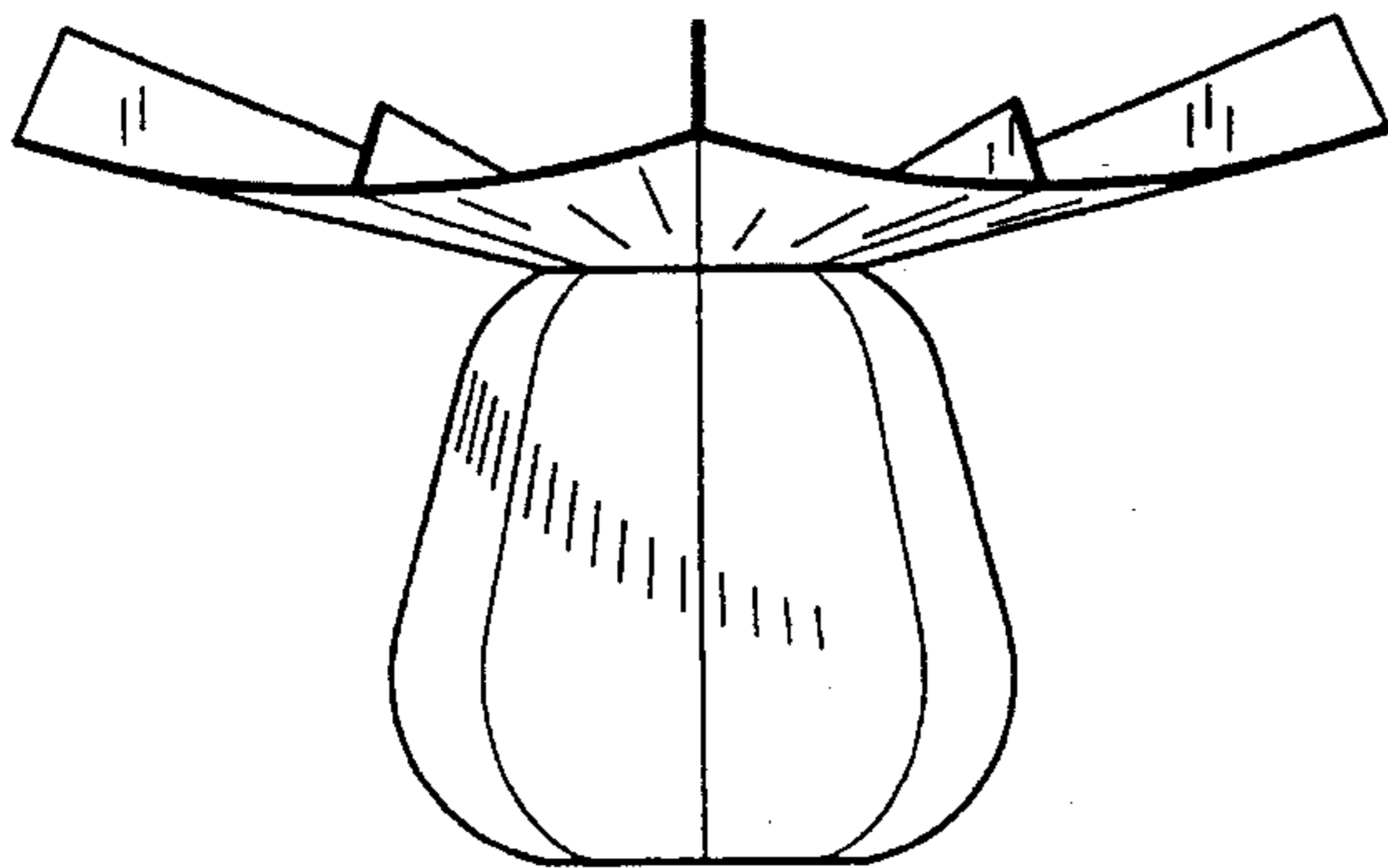


FIG. 29

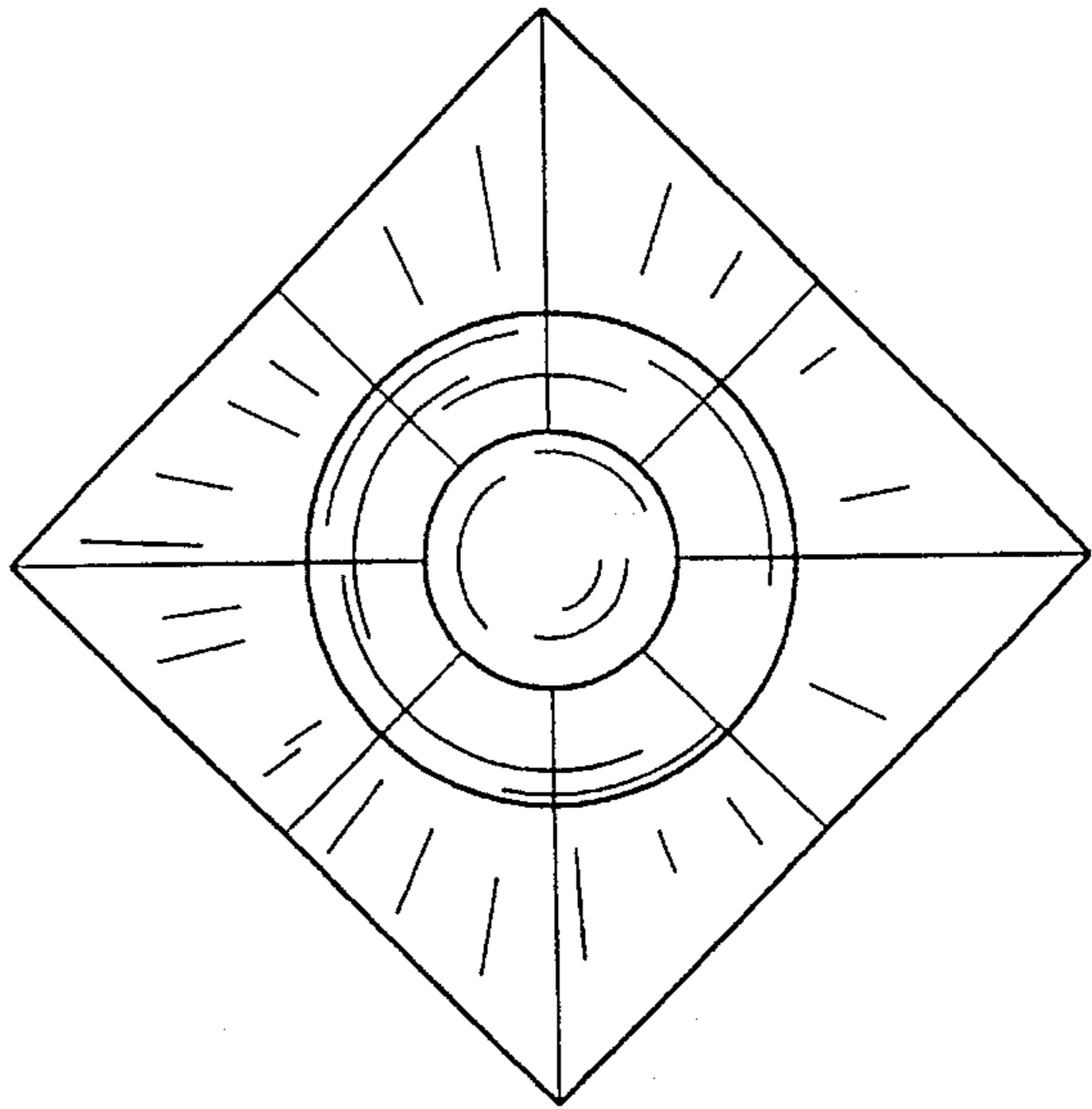
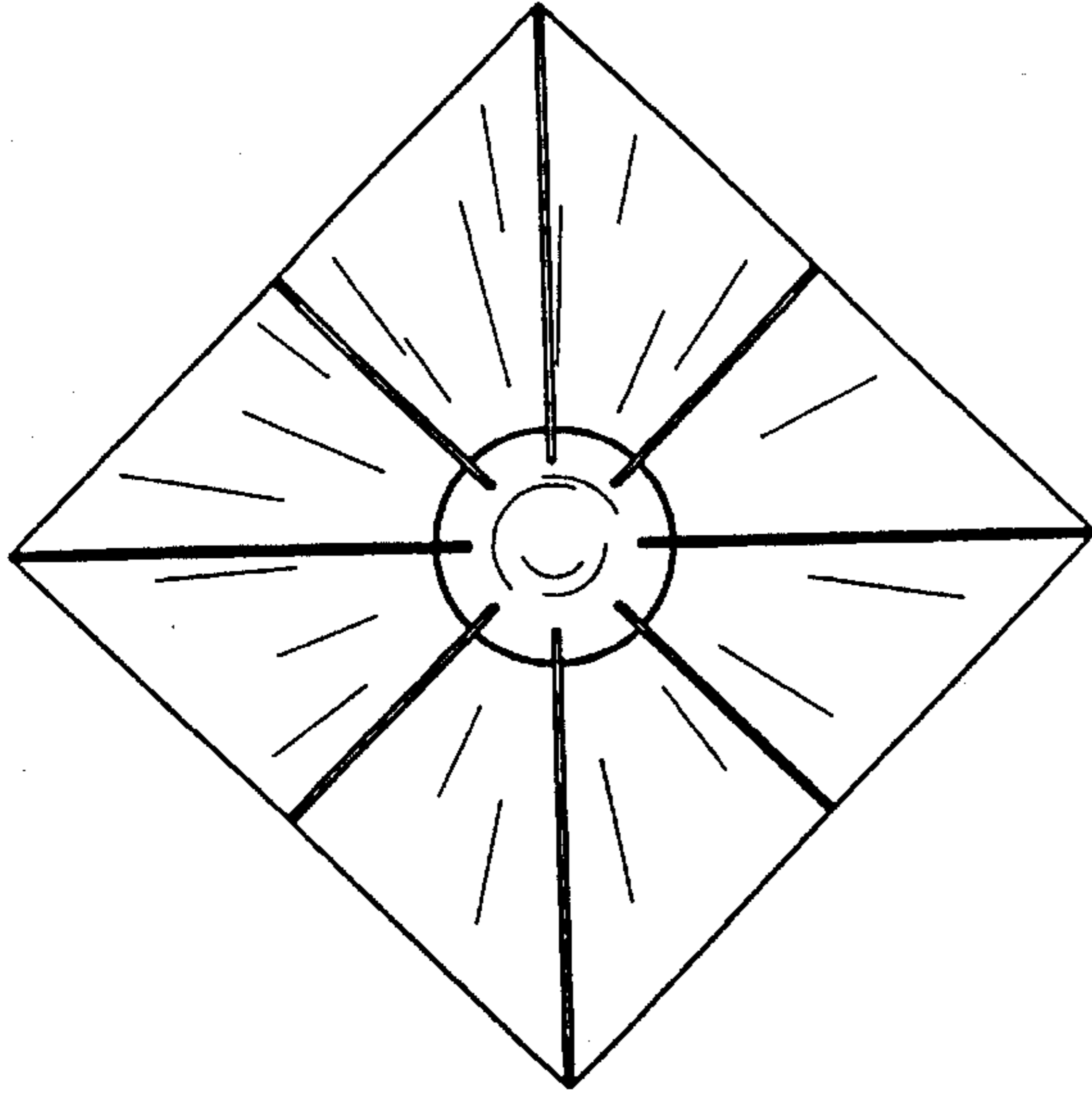


FIG. 21

FIG. 20

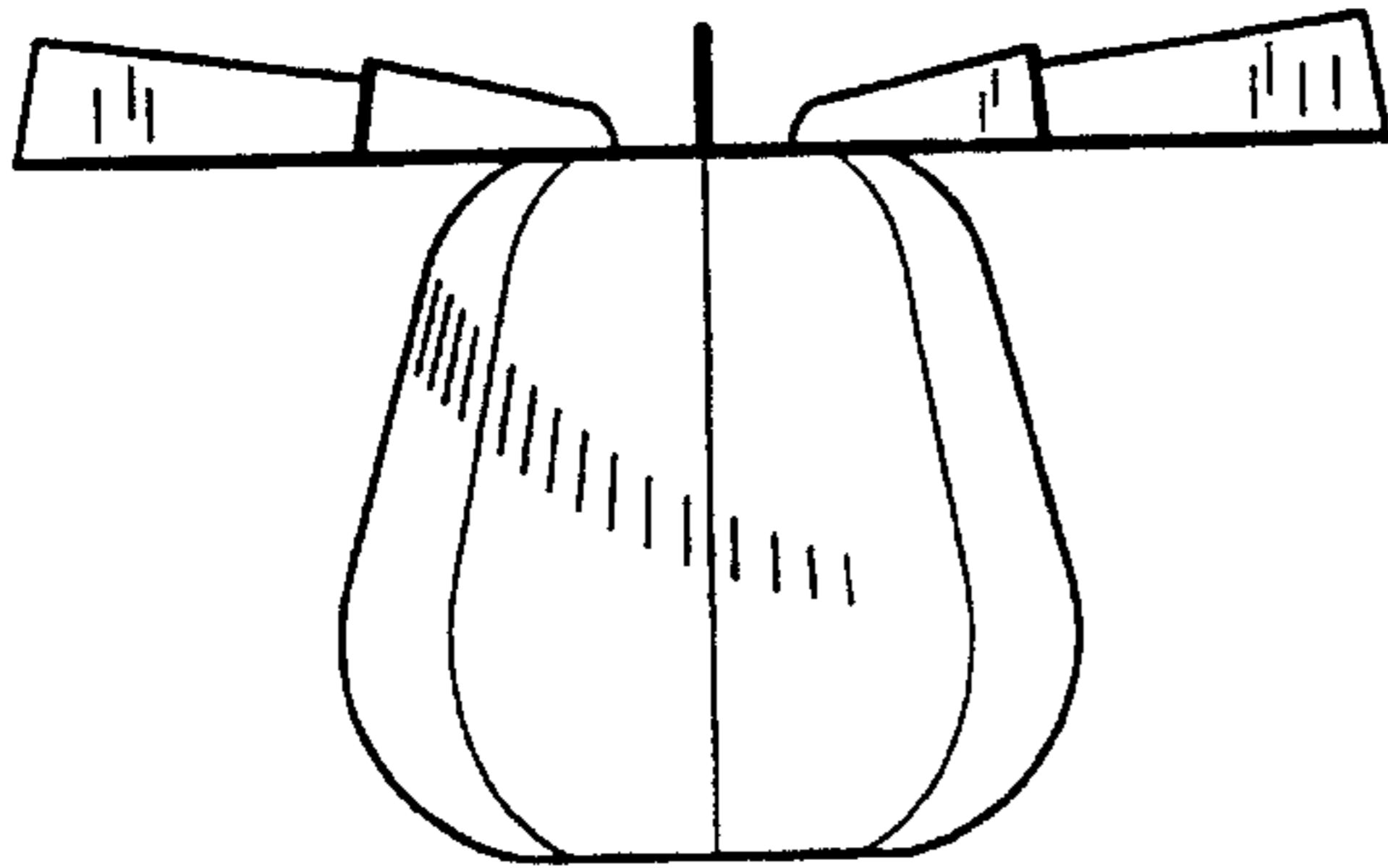


FIG. 22

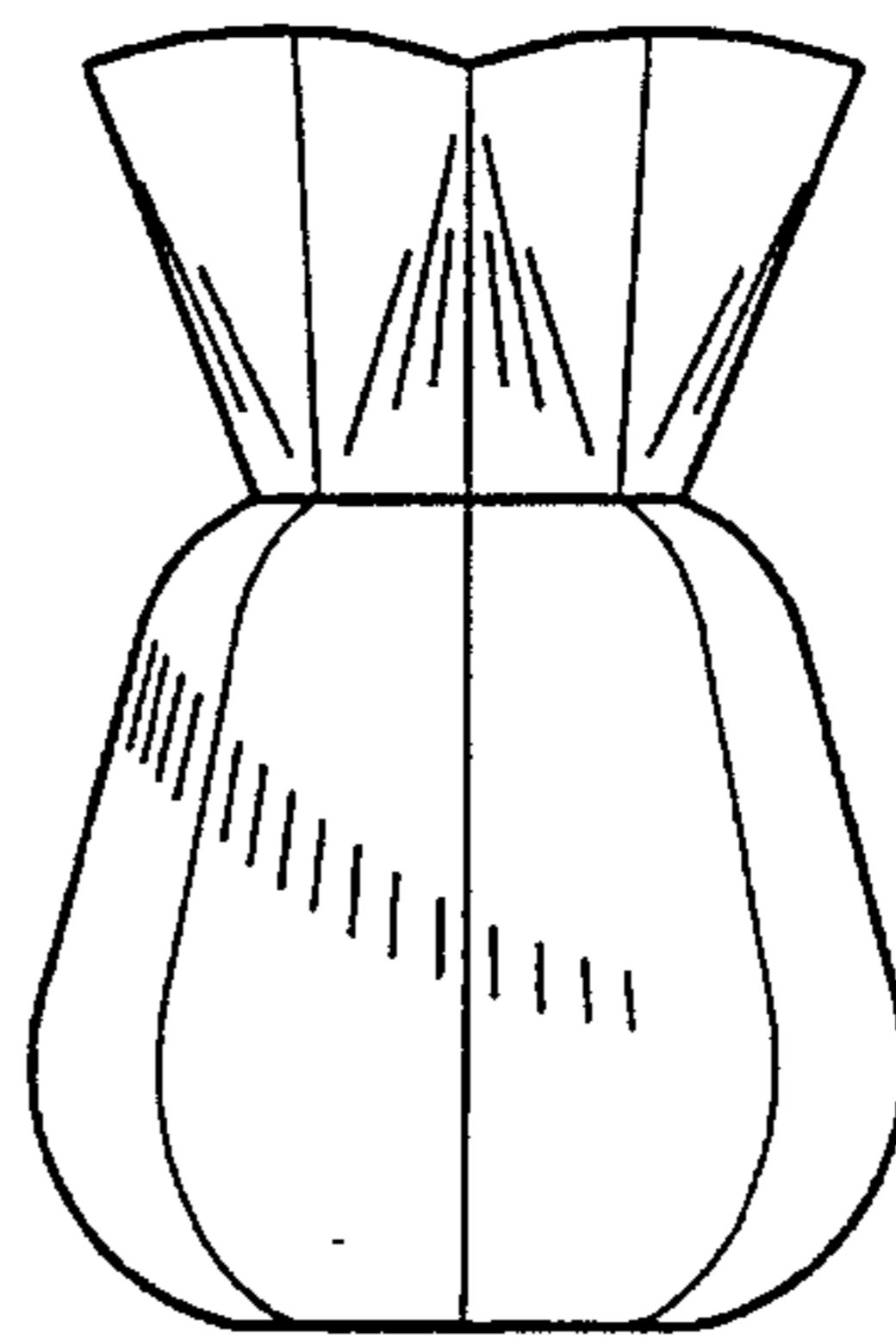


FIG. 23

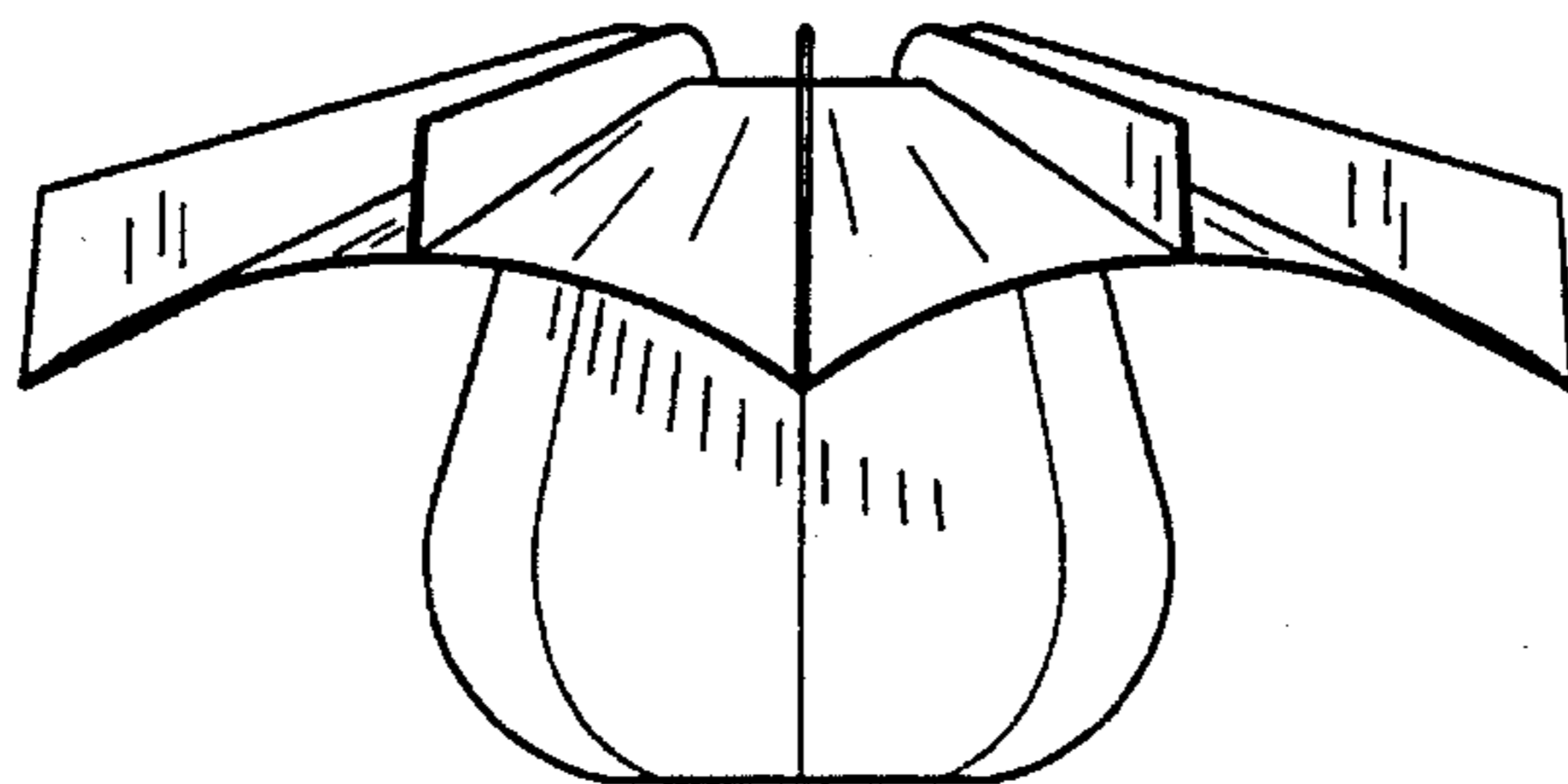


FIG. 24

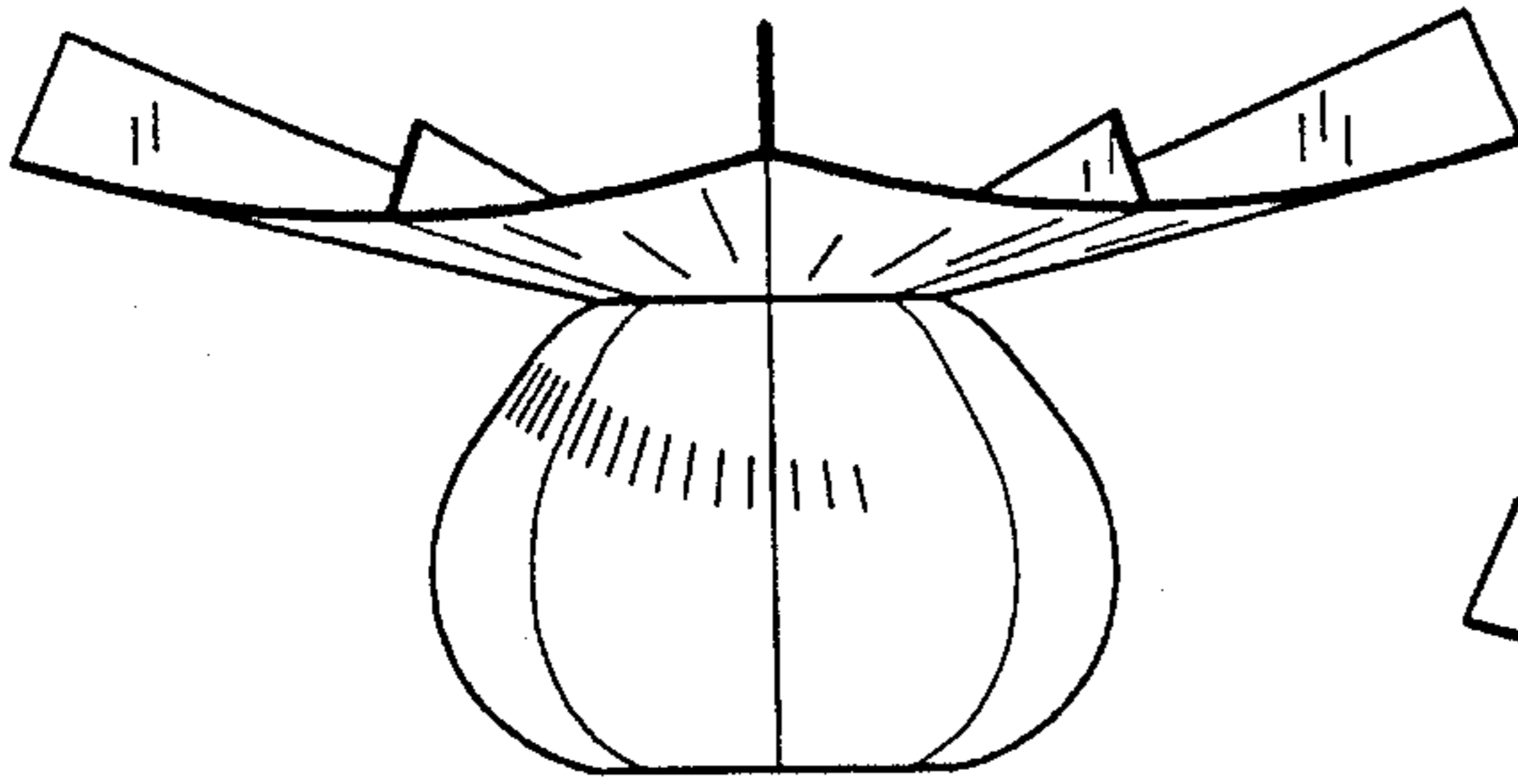


FIG. 85

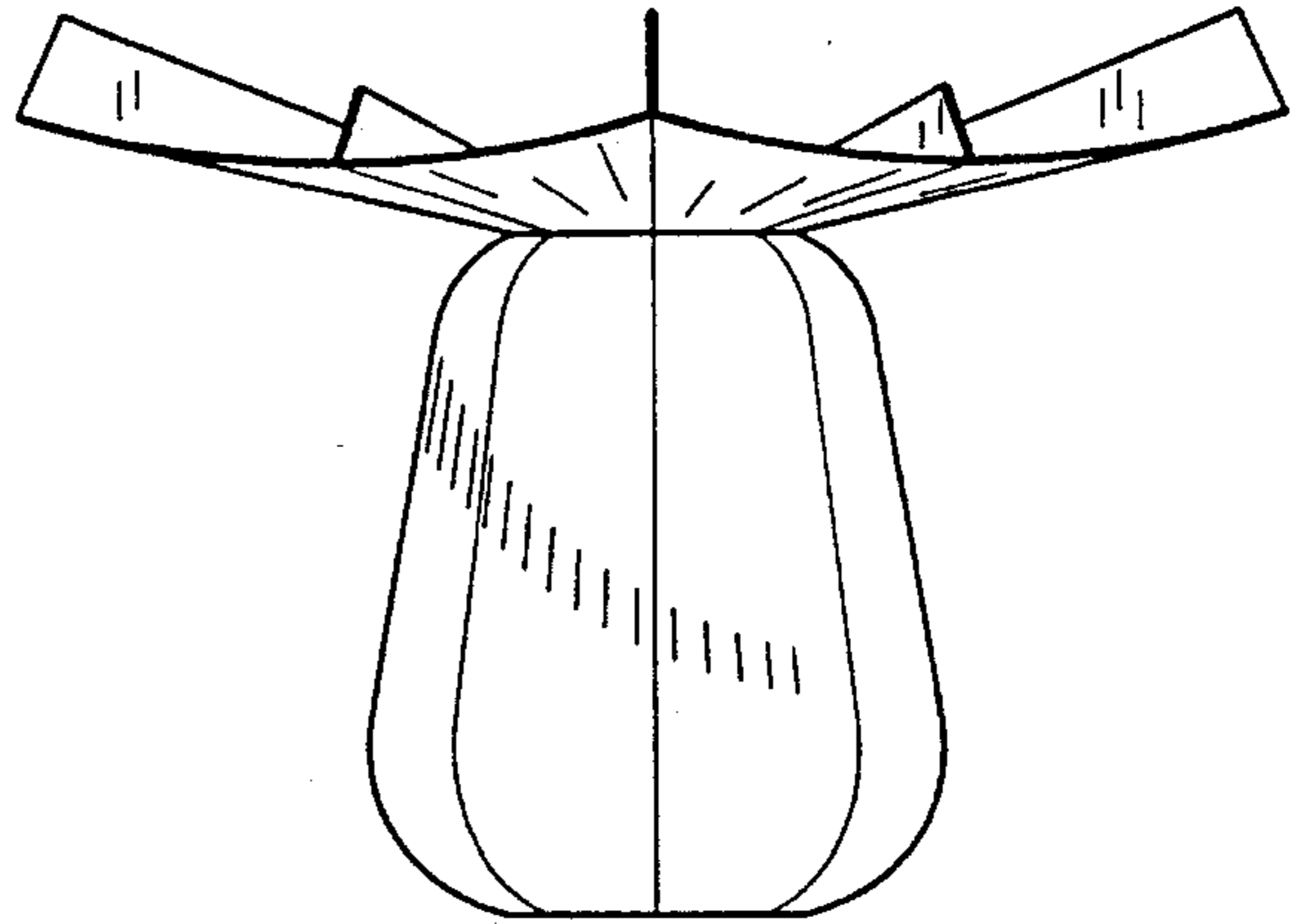


FIG. 86

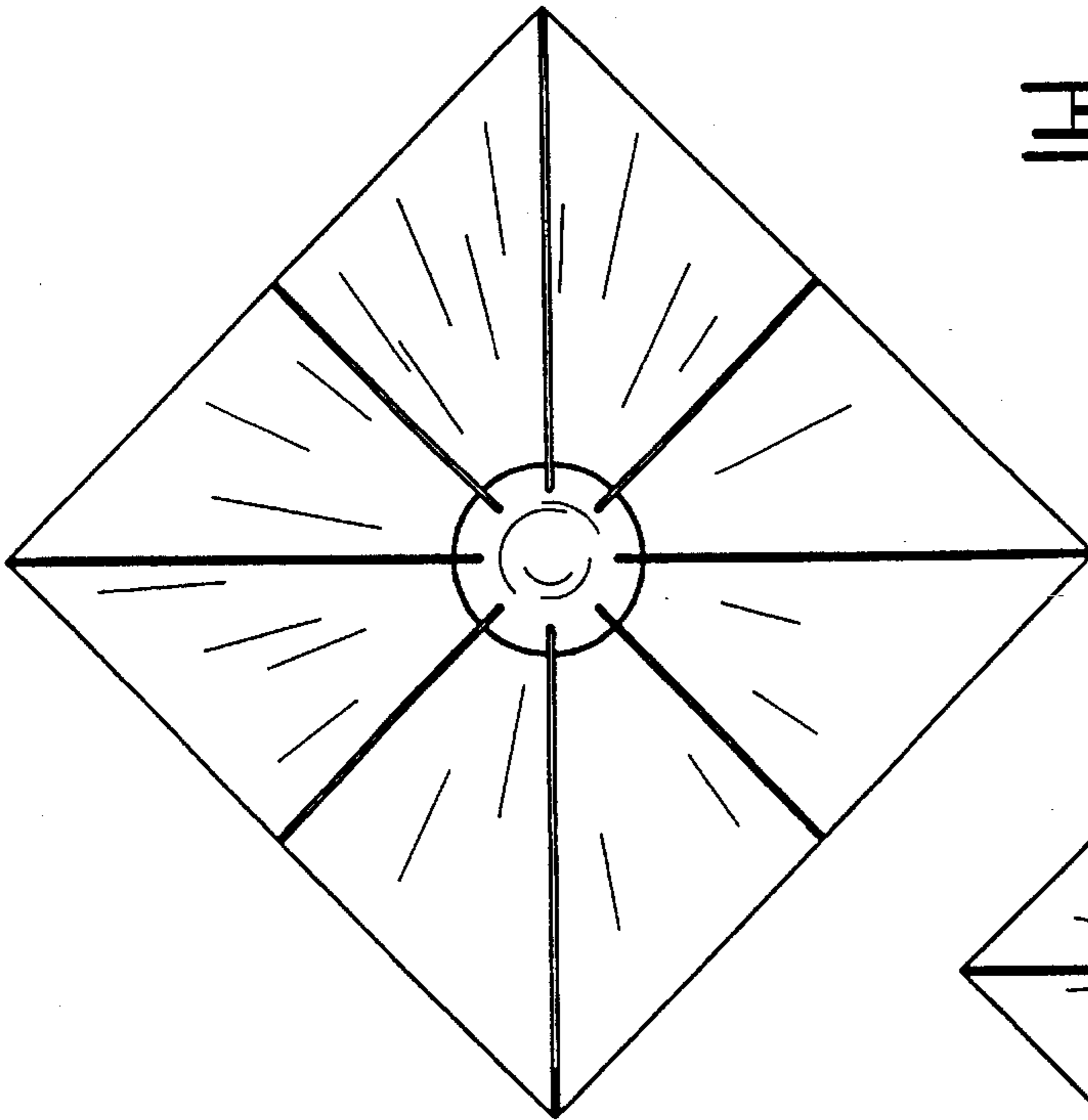


FIG. 87

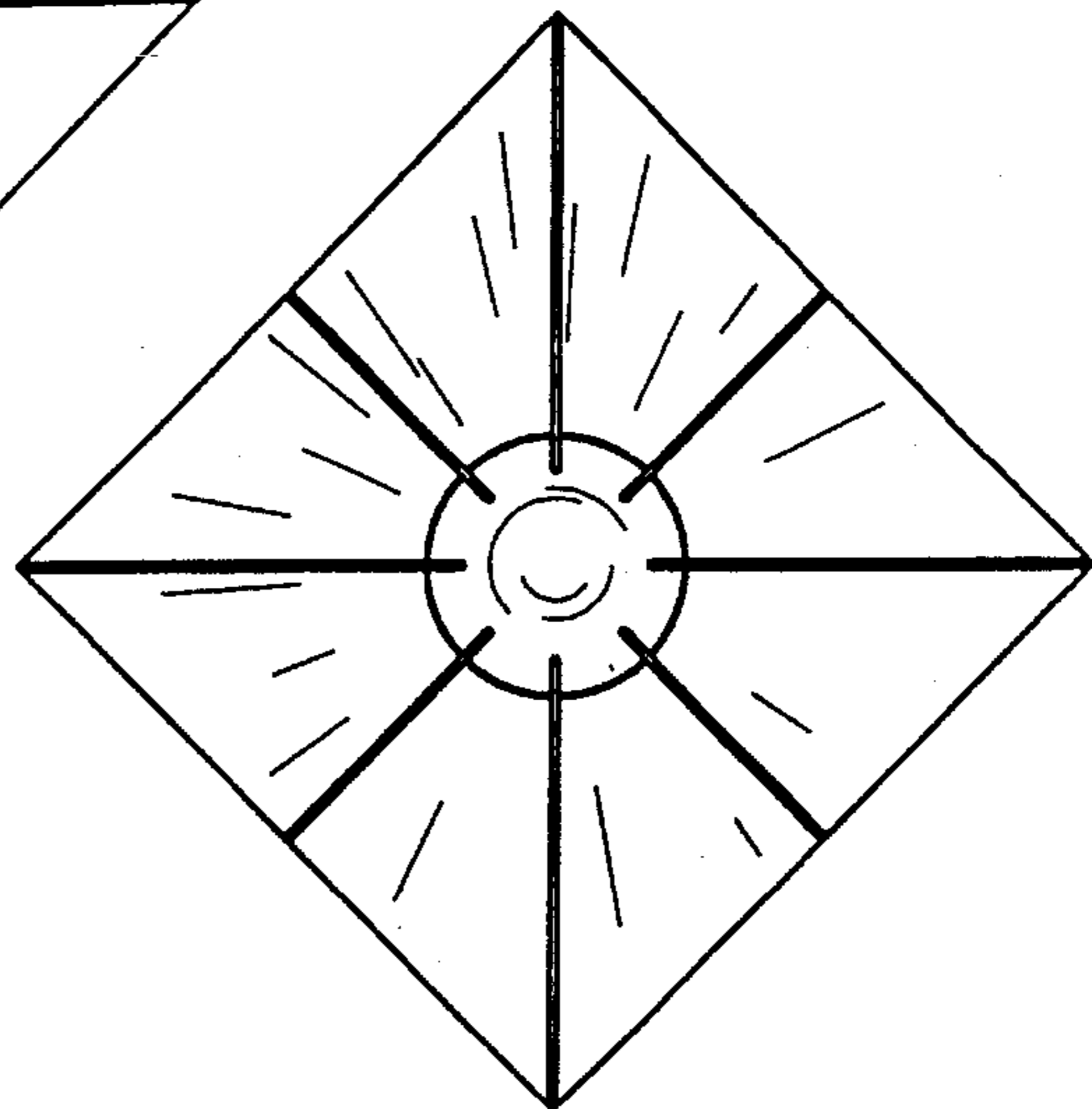


FIG. 88

UNITED STATES PATENT AND TRADEMARK OFFICE
CERTIFICATE OF CORRECTION

PATENT NO. : Des. 364,122
DATED : November 14, 1995
INVENTOR(S) : Weder et al.

It is certified that error appears in the above-identified patent and that said Letters Patent is hereby corrected as shown below:

Item [63],

Cover page, "Related U.S. Application Data", line 3,
please delete "which is" and substitute therefor --and--.

Cover page, "Related U.S. Application Data", line 5,
please delete "which is" and substitute therefor --and--.

Cover page, "Related U.S. Application Data", line 6,
please delete "which is" and substitute therefor --and--.

Cover page, "References Cited", U.S. PATENT DOCUMENTS,
please delete "D.293,775, 1/1988, Weder et al., D11/164".

Cover page, "References Cited", U.S. PATENT DOCUMENTS,
please insert --D.322,403, 12/1991, Eaton, D9/429--.

Signed and Sealed this
Fourth Day of June, 1996

Attest:



BRUCE LEHMAN

Attesting Officer

Commissioner of Patents and Trademarks