



US00D364104S

United States Patent [19]

Johnson

[11] Patent Number: Des. 364,104

[45] Date of Patent: **Nov. 14, 1995

[54] EXTRUSION FOR A BOX BEAM LEVEL

[75] Inventor: William G. Johnson, Mequon, Wis.

[73] Assignee: Johnson Level & Tool Mfg. Co., Inc., Mequon, Wis.

[**] Term: 14 Years

[21] Appl. No.: 21,936

[22] Filed: Apr. 26, 1994

[52] U.S. Cl. D10/74; D10/69

[58] Field of Search D10/69, 74; D25/121, D25/122, 124, 125; 33/374, 376, 379

[56] References Cited

U.S. PATENT DOCUMENTS

D. 210,286	2/1968	Venema	D25/122	X
D. 251,281	3/1979	Magnussen, Jr.	D25/122	X
3,213,545	10/1965	Wright .		
3,811,197	5/1974	Moore et al.	33/374	
5,388,338	2/1995	Majors	33/374	X

OTHER PUBLICATIONS

Johnson Level & Tool Mfg. Co., Inc. Catalogue, Aug. 1992.

Primary Examiner—Antoine Duval Davis

Attorney, Agent, or Firm—Andrus, Scales, Starke & Sawall

[57] CLAIM

The ornamental design of an extrusion for a box beam level, as shown and described.

DESCRIPTION

FIG. 1 is an isometric view illustrating an extrusion for a box beam level incorporating my new design, the broken line showing of a magnetic strip and portions of an extrusion for a box beam level are for illustrative purposes only and forms

no part of the claimed design;

FIG. 2 is a side elevational view, the opposite side elevational view being identical;

FIG. 3 is a top plan view thereof;

FIG. 4 is a bottom plan view thereof;

FIG. 5 is an end elevational view, the opposite end elevational view being identical, the broken line showing of a magnetic strip is for illustrative purposes only and forms no part of the claimed design;

FIG. 6 is an isometric view of a second embodiment illustrating a portion of an extrusion for a box beam level incorporating my new design, the broken line showing of a magnetic strip and portions of an extrusion for a box beam level are for illustrative purposes only and forms no part of the claimed design;

FIG. 7 is a side elevational view, the opposite side elevational view being identical;

FIG. 8 is a top plan view thereof;

FIG. 9 is a bottom plan view thereof;

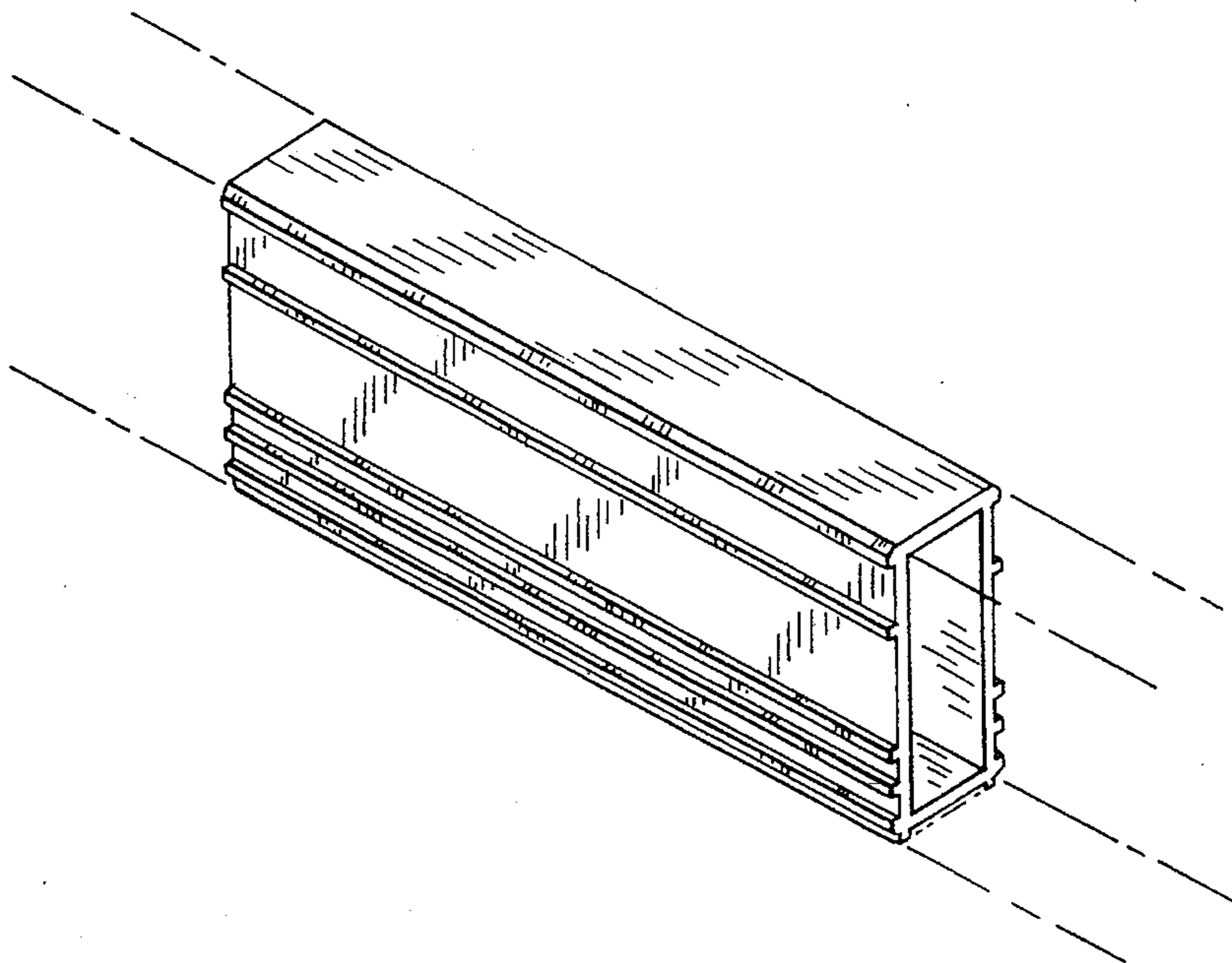
FIG. 10 is an end elevational view, the opposite end elevational view being identical, the broken line showing of a magnetic strip is for illustrative purposes only and forms no part of the claimed design.

The top and bottom plan views are identical to those shown in FIGS. 8 and 9;

FIG. 12 is a side elevational view, the opposite side elevational view being identical; and,

FIG. 13 is an end elevational view, the opposite end elevational view being identical, the broken line showing of a magnetic strip is for illustrative purposes only and forms no part of the claimed design.

1 Claim, 3 Drawing Sheets



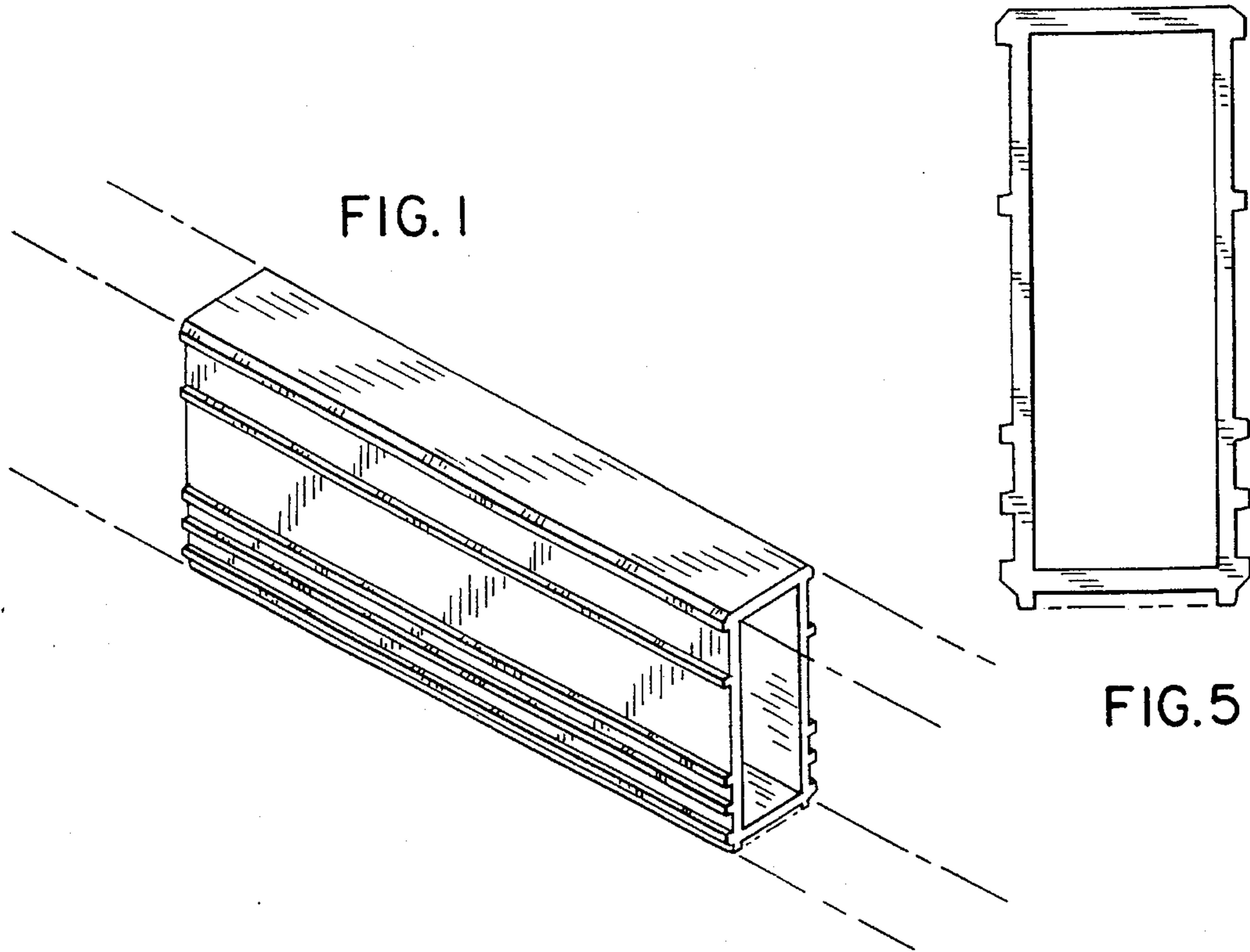


FIG. 2

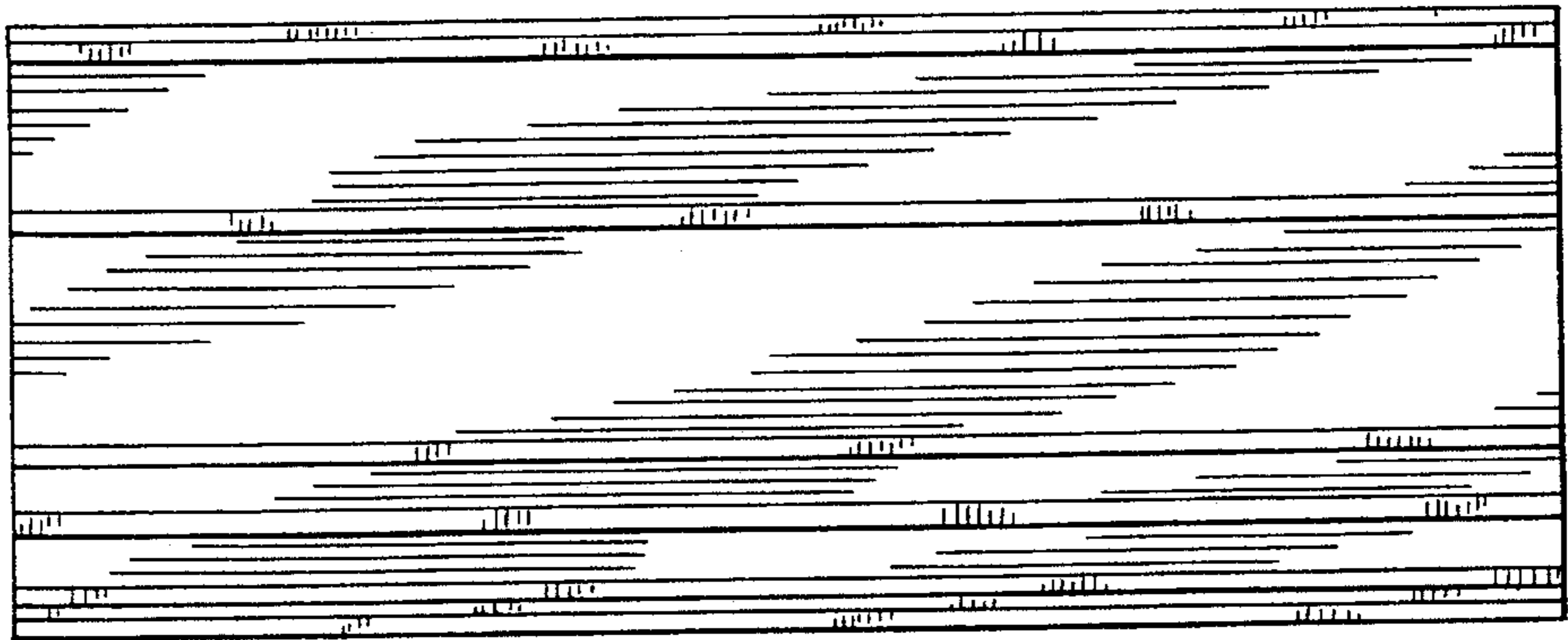


FIG. 3

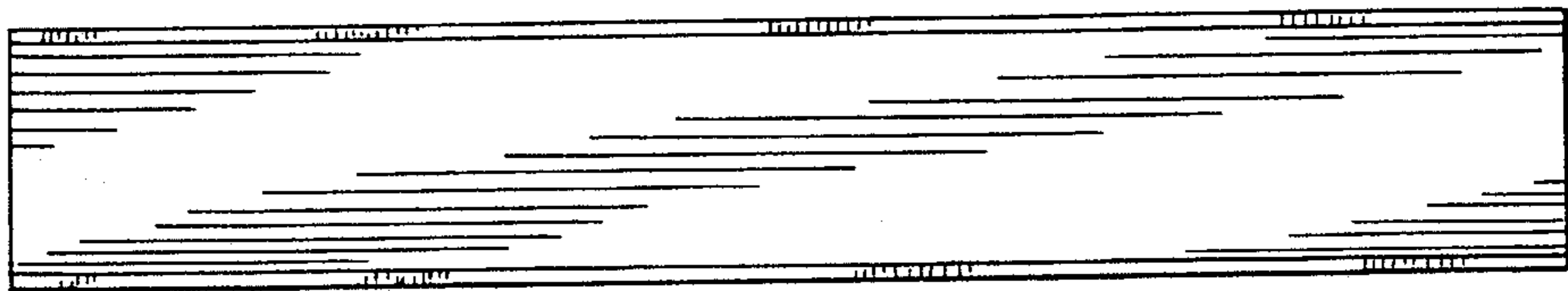
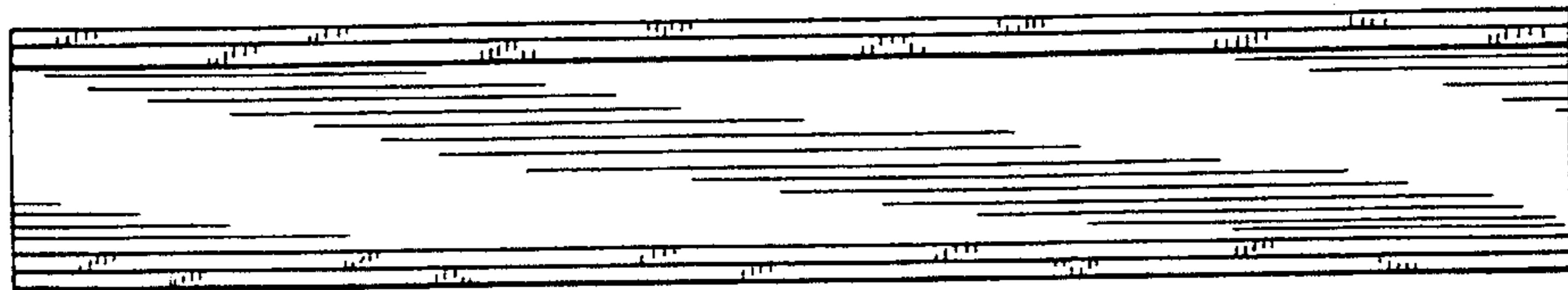


FIG. 4



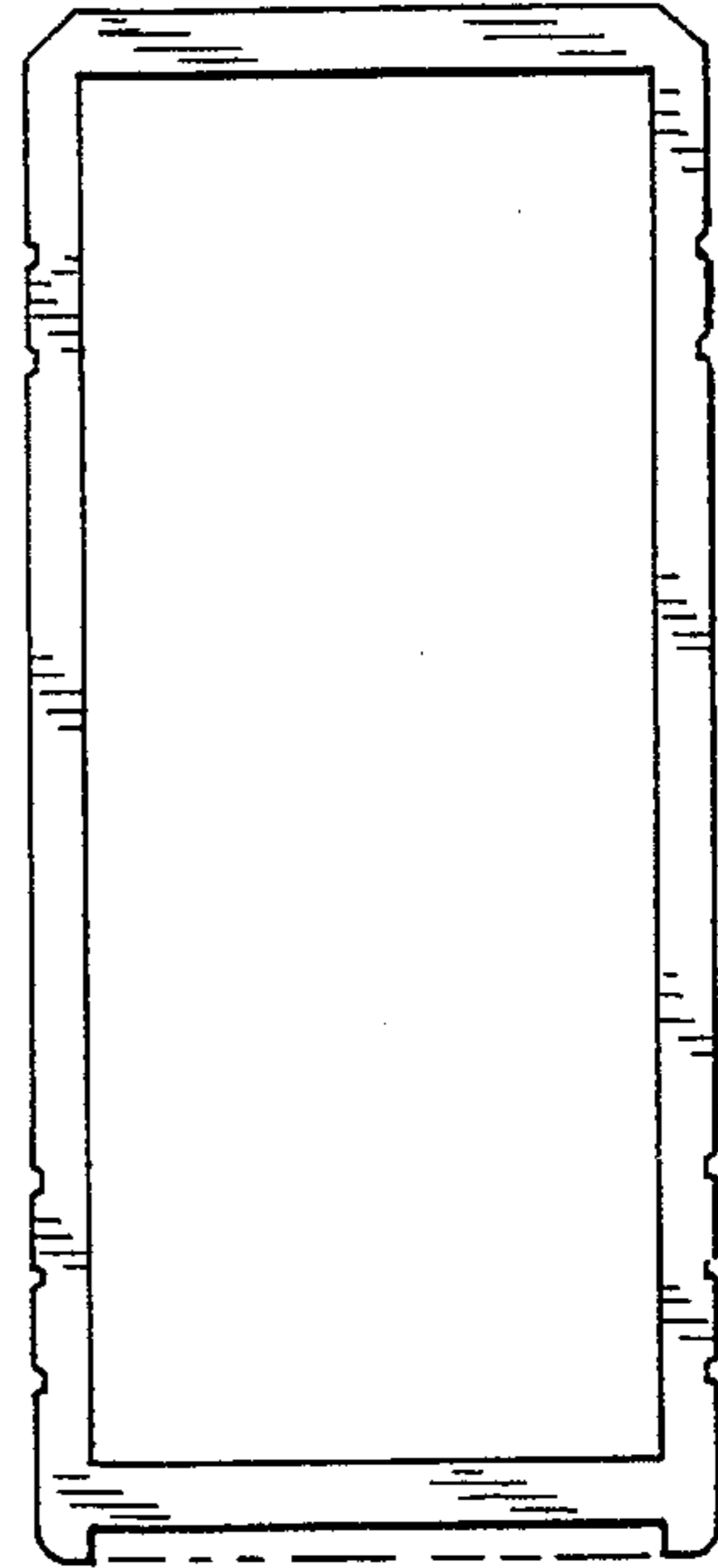
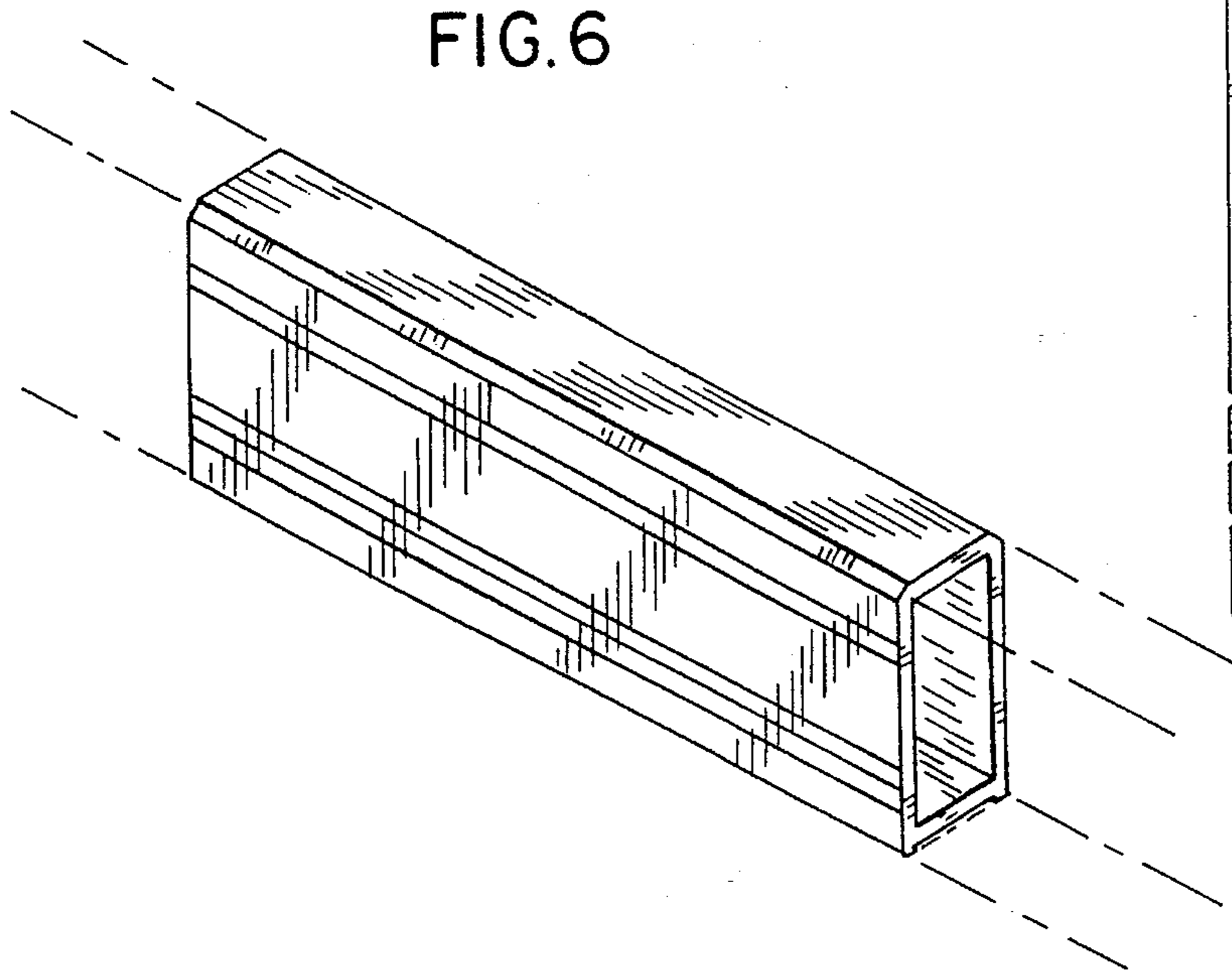


FIG. 10

FIG. 7

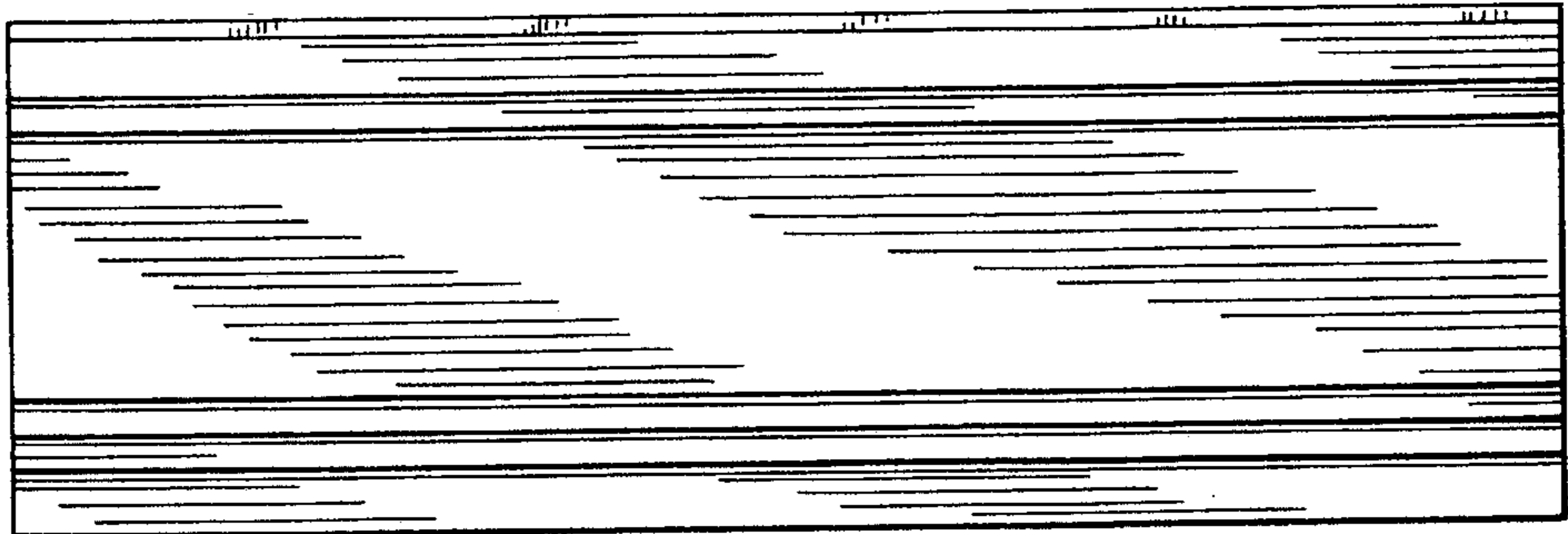


FIG. 8

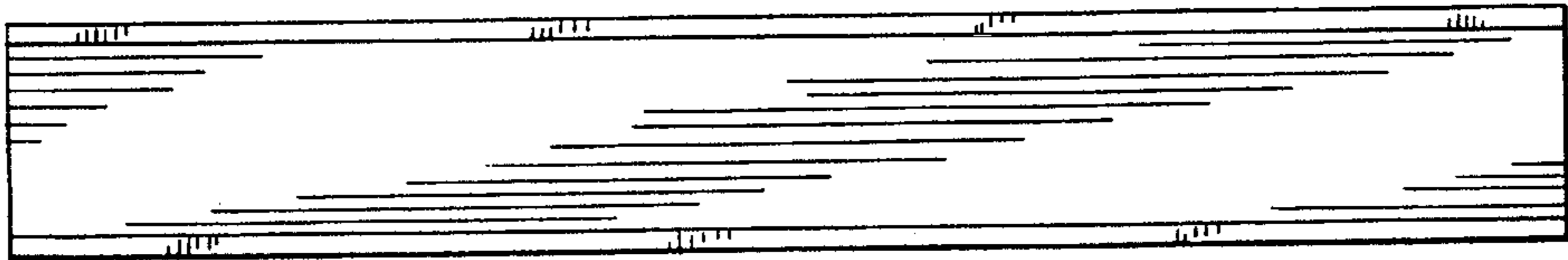
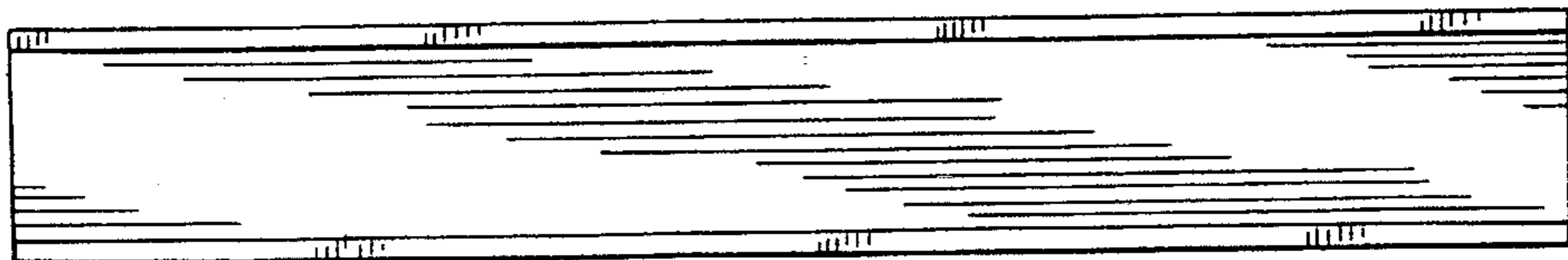


FIG. 9



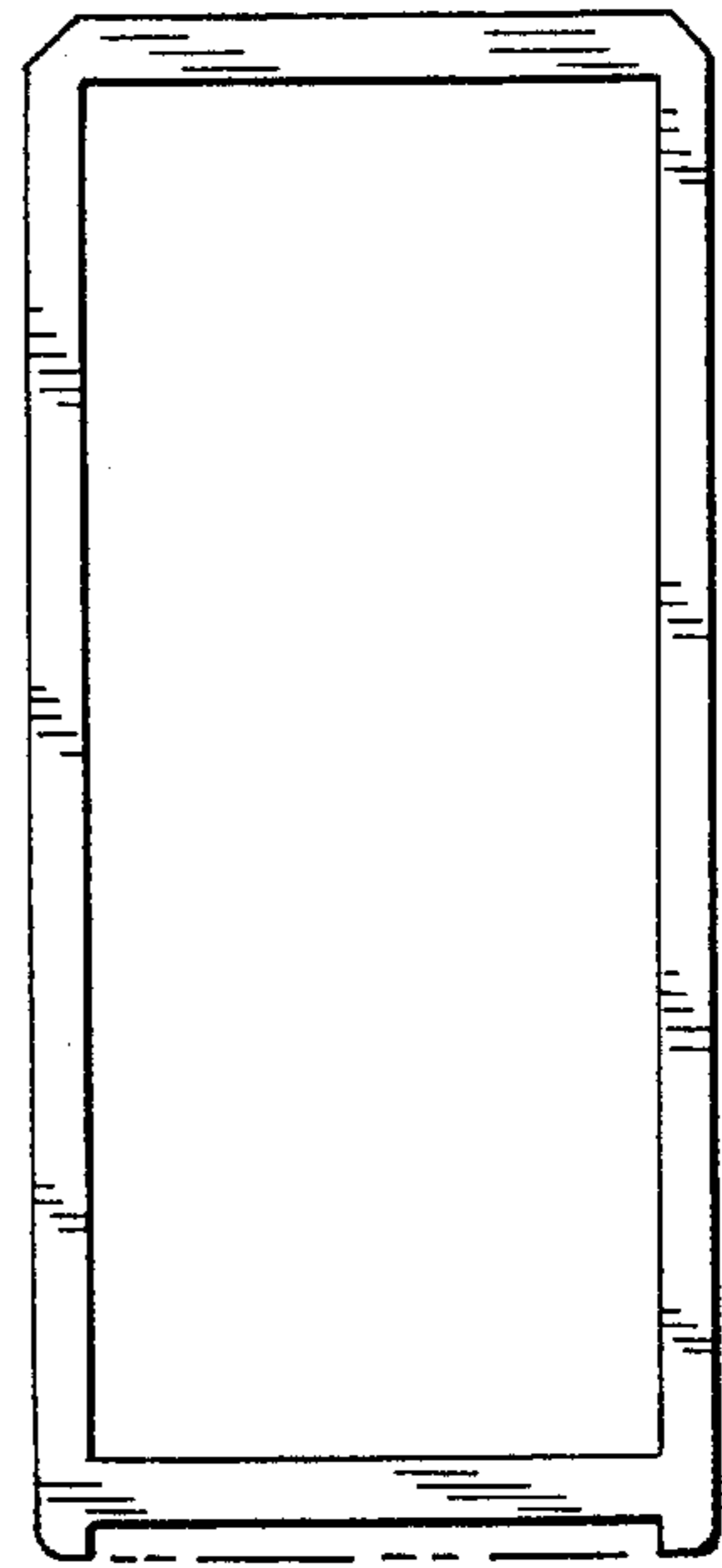
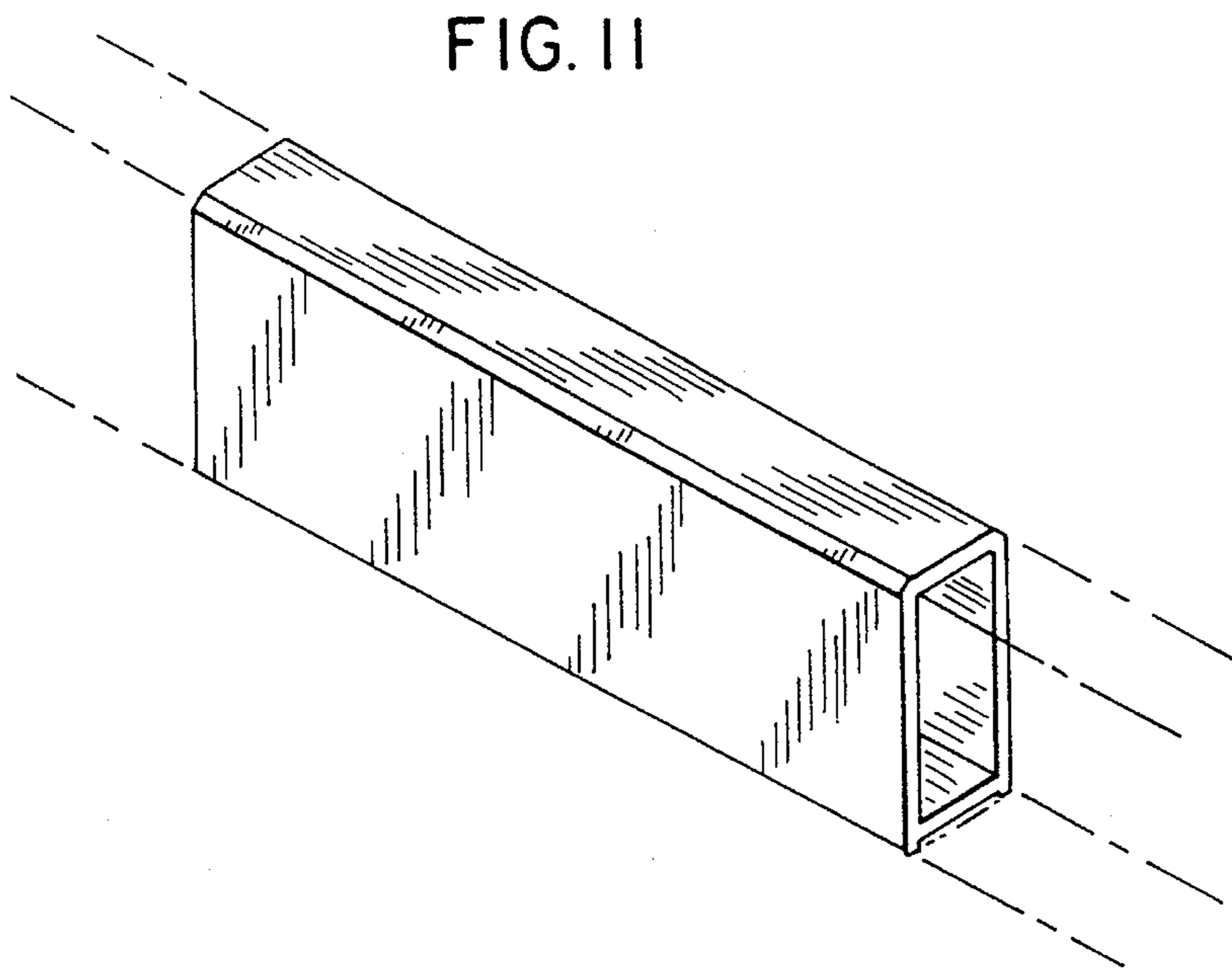


FIG. 13

FIG. 12

