



US00D364097S

United States Patent [19]

[11] Patent Number: **Des. 364,097**

Mickey, Sr.

[45] Date of Patent: ****Nov. 14, 1995**

[54] **WRIST-BORNE EXERCISE DISPLAY DEVICE**

[76] Inventor: **Carl F. Mickey, Sr.**, P.O. Box 2044, High Point, N.C. 27261

[**] Term: **14 Years**

[21] Appl. No.: **896,564**

[22] Filed: **Jun. 8, 1992**

[52] U.S. Cl. **D10/125; D21/13; D21/240; D21/191**

[58] Field of Search **D10/1-40, 122-132; 273/434, 437, 32 H; 368/223, 228, 232, 276-277, 280-282, 285; 345/122; 395/152; 434/252, 257**

[56] **References Cited**

U.S. PATENT DOCUMENTS

D. 59,051	9/1921	Wilcox	D21/166	X
D. 141,679	6/1945	Derderian	D21/166	X
D. 269,501	6/1983	Sato	D10/31	
D. 276,844	12/1984	Eaton	D10/125	X
D. 279,966	8/1985	Kano	D10/125	
D. 345,028	3/1984	Baranga	D21/166	X
3,792,243	2/1974	Appel	395/152	
4,952,051	8/1990	Lovell	345/122	X
5,082,281	1/1992	Berghofer	273/32	H X
5,296,845	3/1994	Hauer	273/434	X

OTHER PUBLICATIONS

Jeweler's Circular-Keystone—May 1977—p. 91—watch at top right.
Honk Kong Enterprise—Nov. 1981—p. 124—Game watch

at top.

Popular Mechanics—Jan. 1952—p. 430—Swing teacher at right.

Primary Examiner—Nelson C. Holtje
Attorney, Agent, or Firm—Shefte, Pinckney & Sawyer

[57] **CLAIM**

The ornamental design for wrist-borne exercise display device, as illustrated and described.

DESCRIPTION

FIG. 1 is a front perspective view of wrist-borne exercise display device showing my new design with one display activated;

FIG. 2 is a front perspective view thereof with another display activated;

FIG. 3 is a front elevational view of FIG. 1;

FIG. 4 is a front elevational view of FIG. 2;

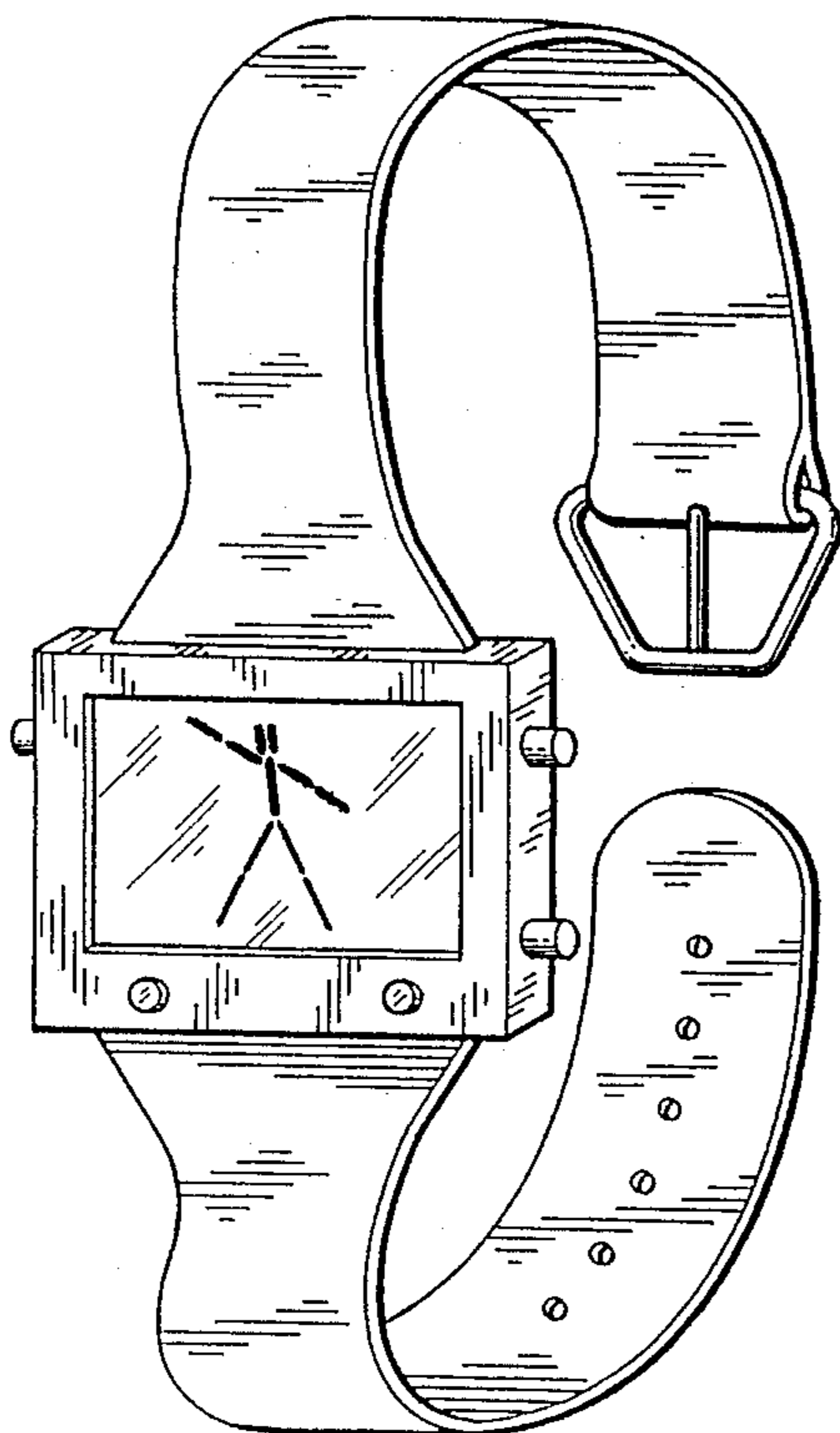
FIG. 5 is a right side elevational view thereof;

FIG. 6 is a rear elevational view thereof; and,

FIG. 7 is a left side elevational view thereof.

The characteristic feature of my new design resides in the particular display screens best shown by FIGS. 1 and 2, the case and band being conventional.

1 Claim, 5 Drawing Sheets



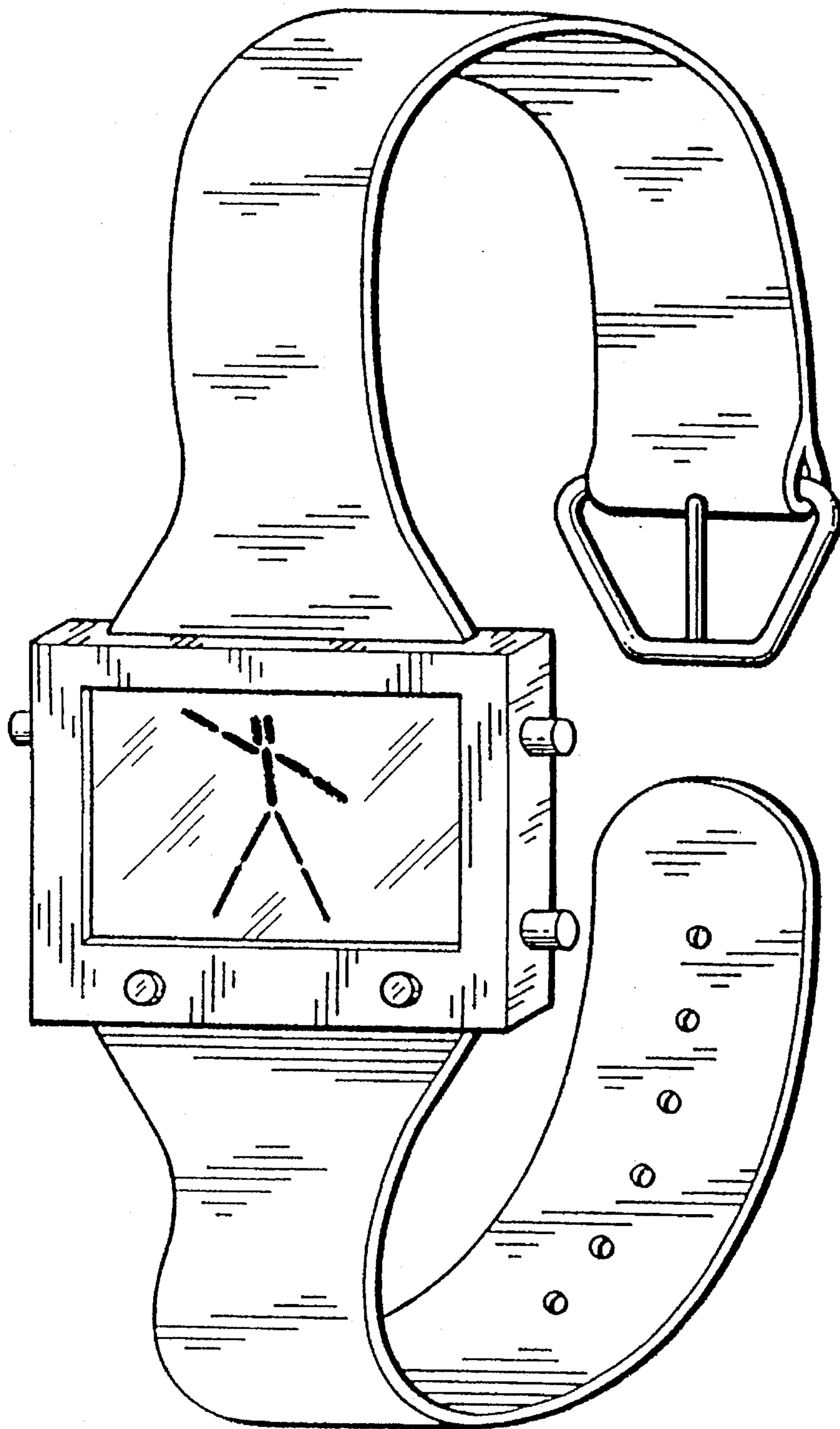


Fig. 1

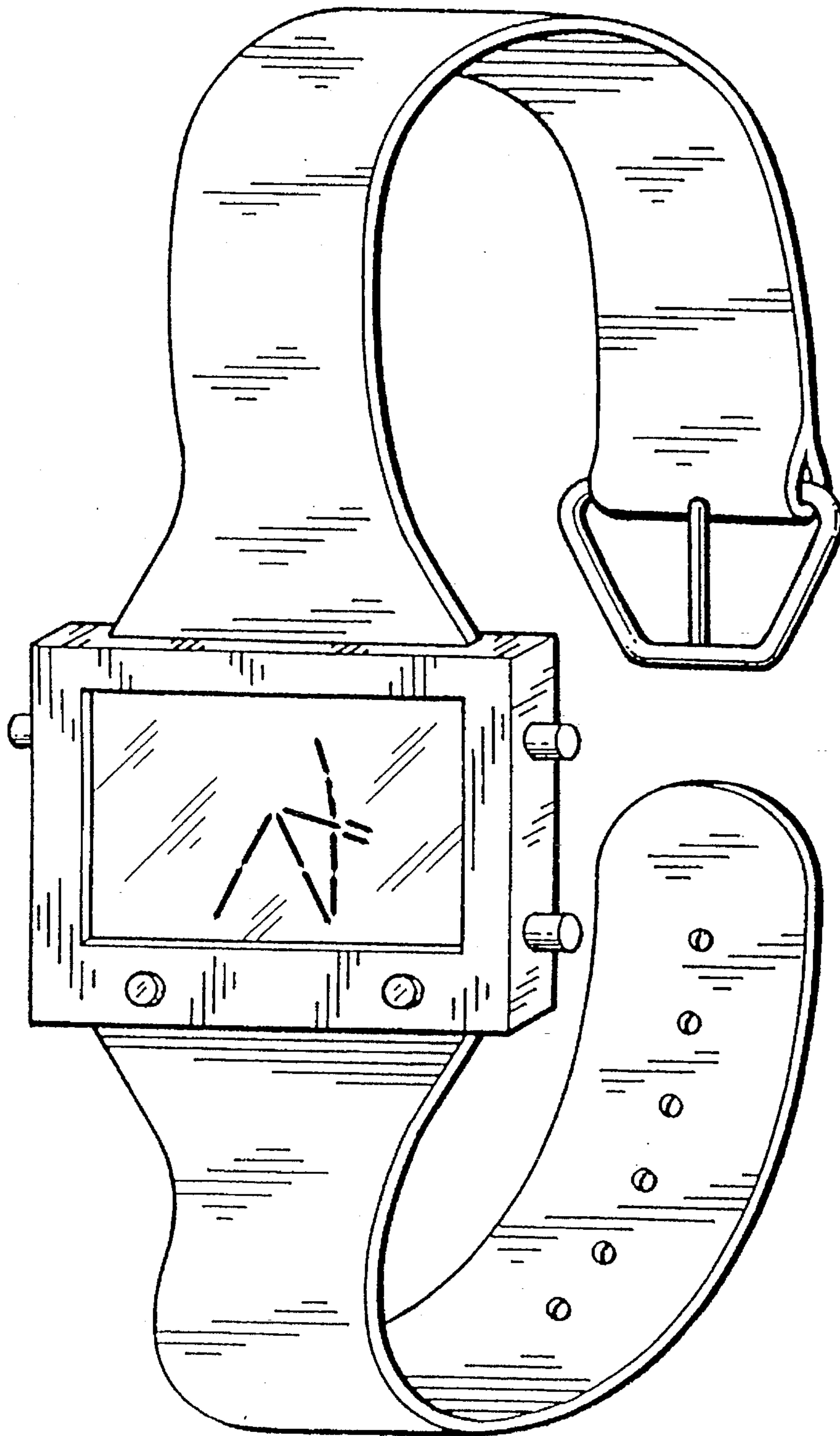


Fig. 2

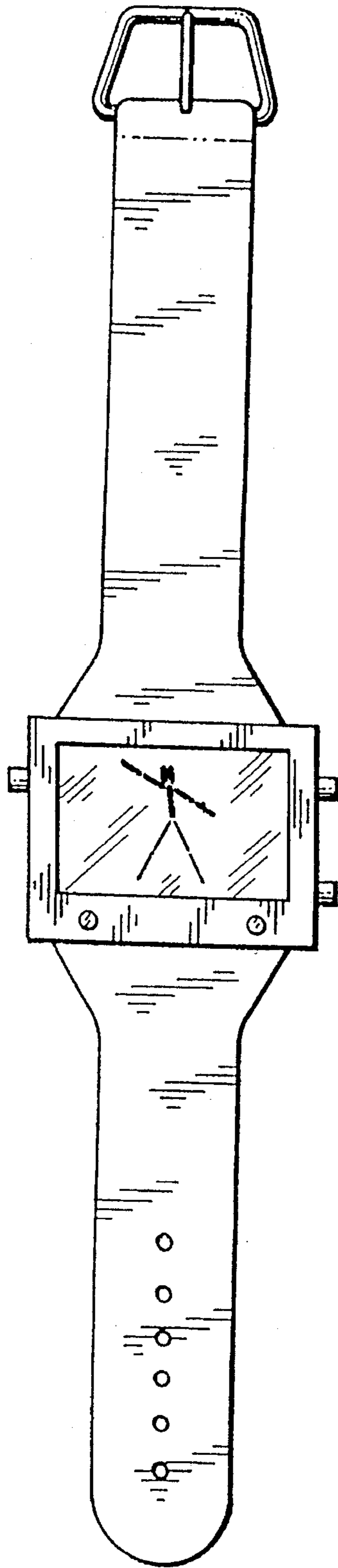


Fig. 3

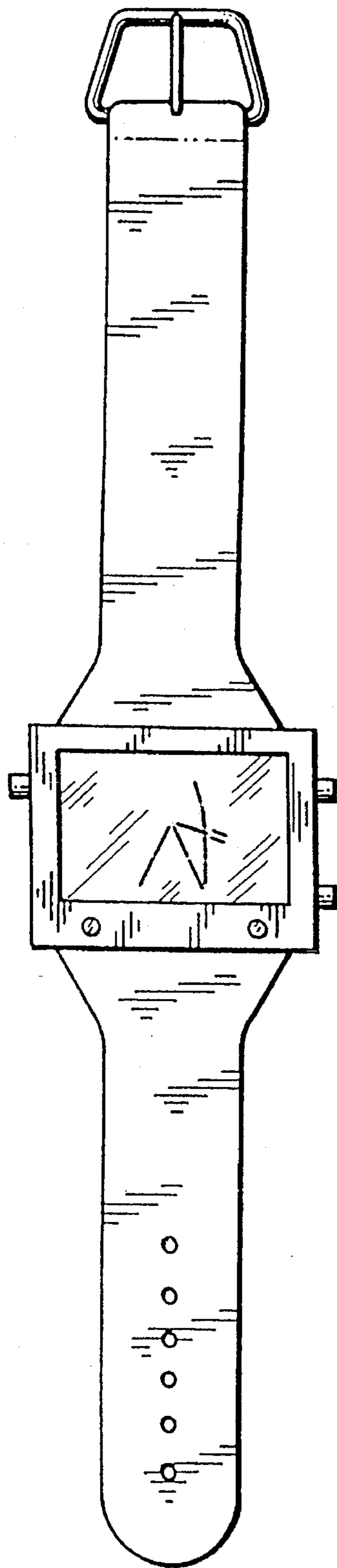


Fig. 4



Fig. 5

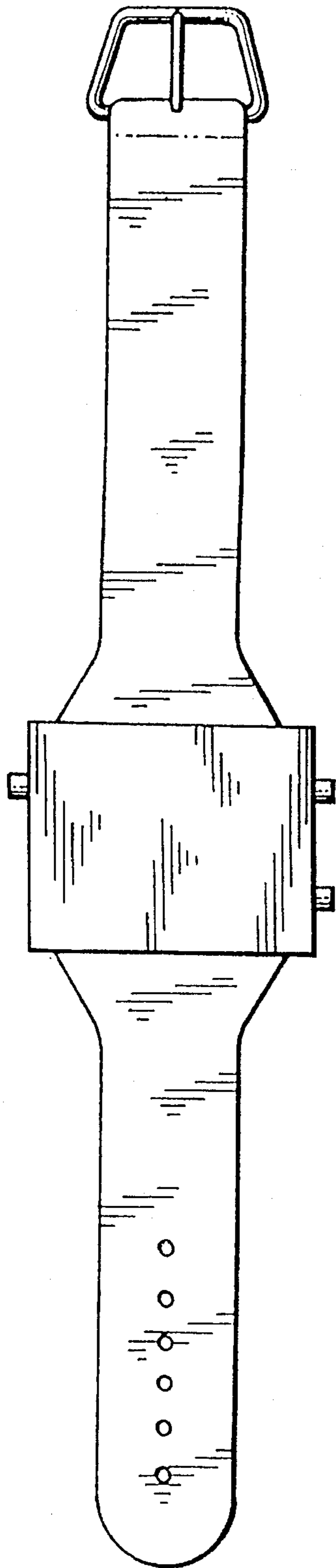


Fig. 6



Fig. 7