



US00D364096S

United States Patent [19]

[11] Patent Number: **Des. 364,096**

Pan

[45] Date of Patent: ****Nov. 14, 1995**

[54] **CLOCK**

[76] Inventor: **Hsien-Chang Pan**, P.O. Box:212, Hsin Chung, Taipei, Taiwan

[**] Term: **14 Years**

[21] Appl. No.: **32,105**

[22] Filed: **Dec. 6, 1994**

[52] U.S. Cl. **D10/29; D10/16**

[58] Field of Search D10/1-40, 122-132; 368/276-277, 285, 316-317, 179-180

[56] **References Cited**

U.S. PATENT DOCUMENTS

D. 124,843	1/1941	Richardson	D10/27
D. 218,469	8/1970	Bergman	D10/27
D. 336,858	6/1993	Oyanagi	D10/29

OTHER PUBLICATIONS

Home Furn. Daily-4/7-13/86-p. (N/A)-Clock at Bottom Right.

Home Furn. Daily-Jul. 12, 1976-Sec. 2-p. 46-Clock at Top Right.

Jeweler's Circulat-Keystone-Aug. 1965 p. 93-Clock at Right.

Primary Examiner-Nelson C. Holtje
Attorney, Agent, or Firm-Bacon & Thomas

[57] **CLAIM**

The ornamental design for a clock, as shown and described.

DESCRIPTION

FIG. 1 is a perspective view of a clock showing my new design;

FIG. 2 is a front view of a clock;

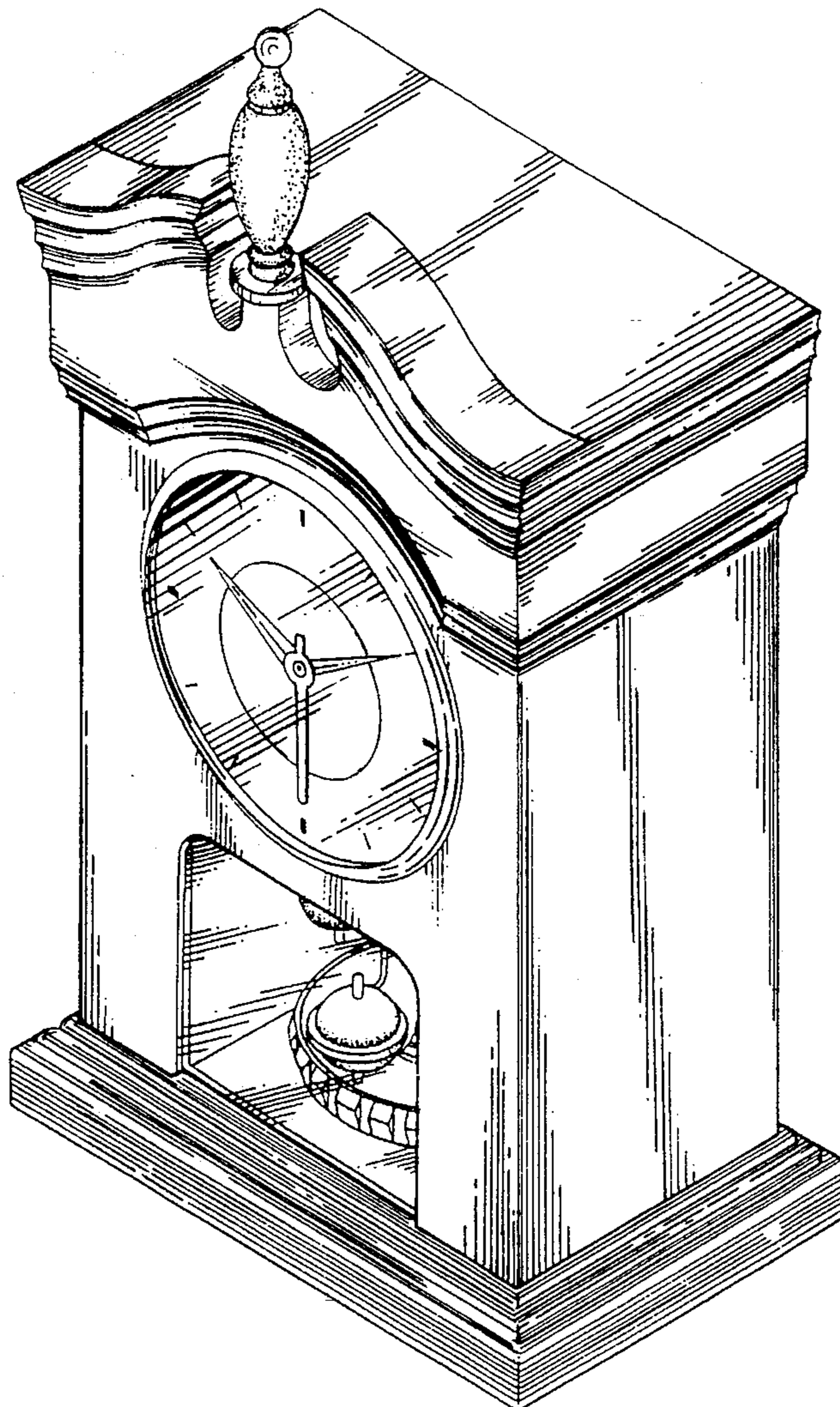
FIG. 3 is a rear view of a clock;

FIG. 4 is a right side view, the left side view being substantially a mirror image thereof;

FIG. 5 is a top plan view of a clock; and,

FIG. 6 is a bottom view of a clock.

1 Claim, 5 Drawing Sheets



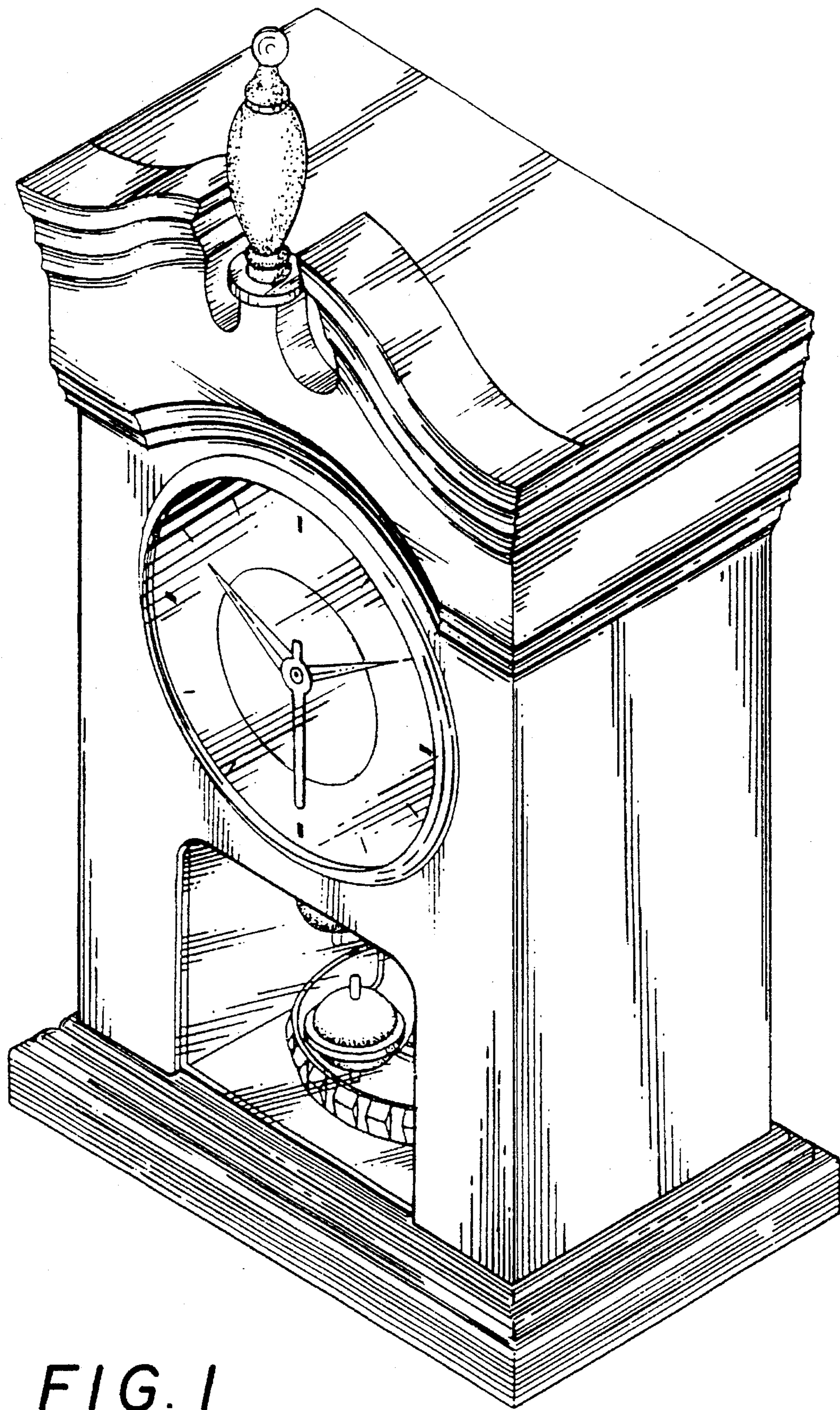


FIG. 1

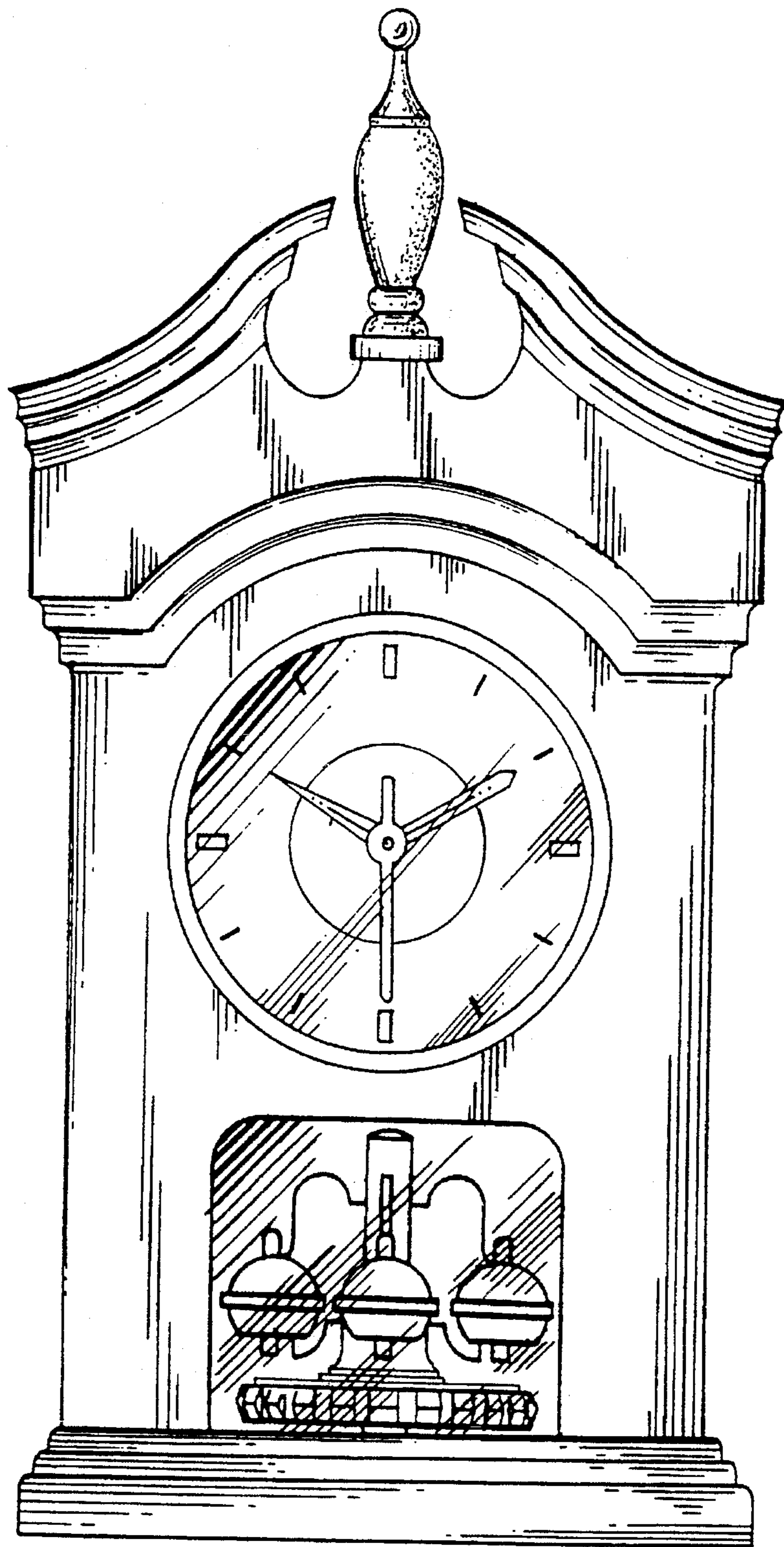


FIG. 2

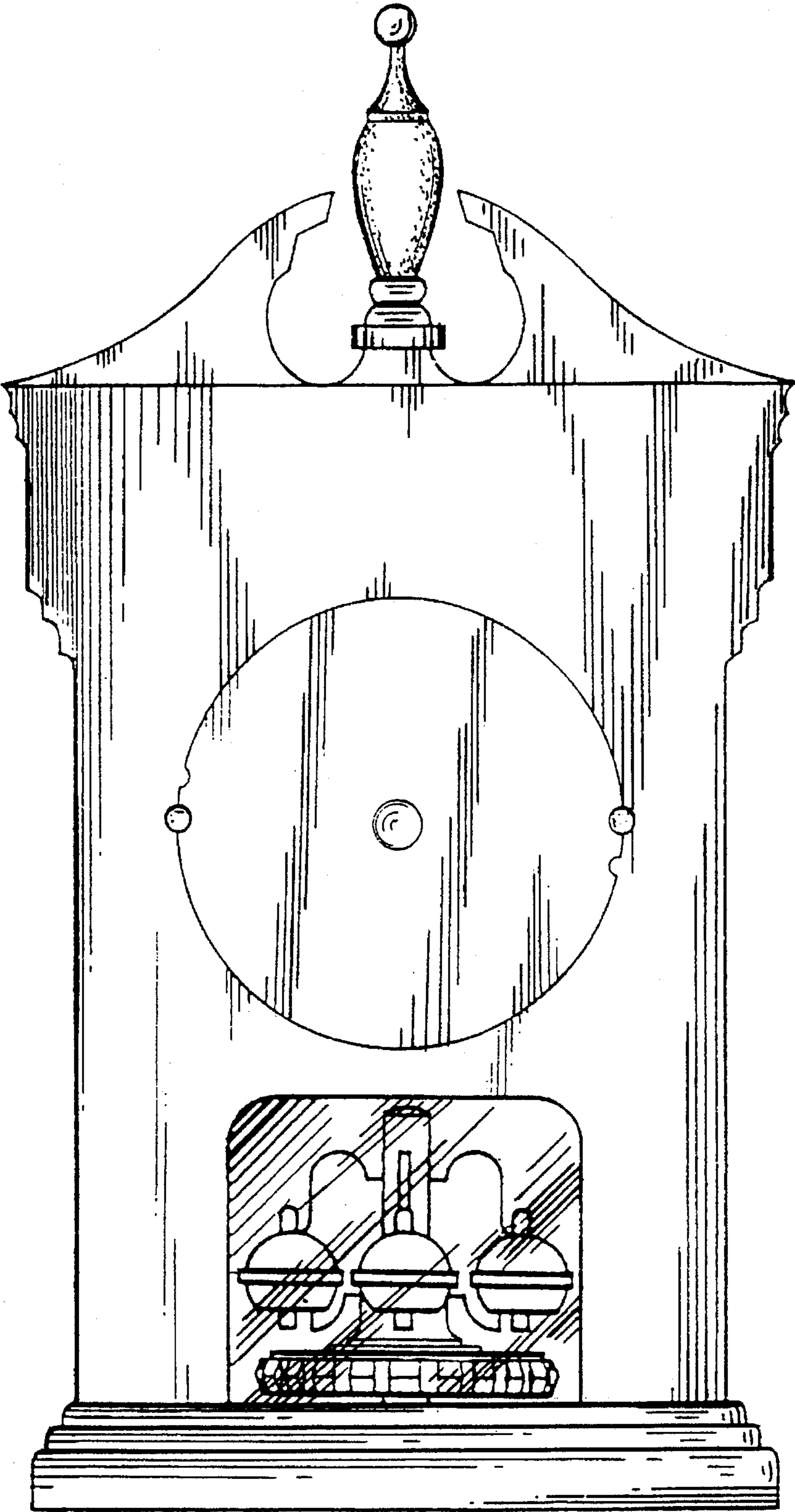


FIG. 3

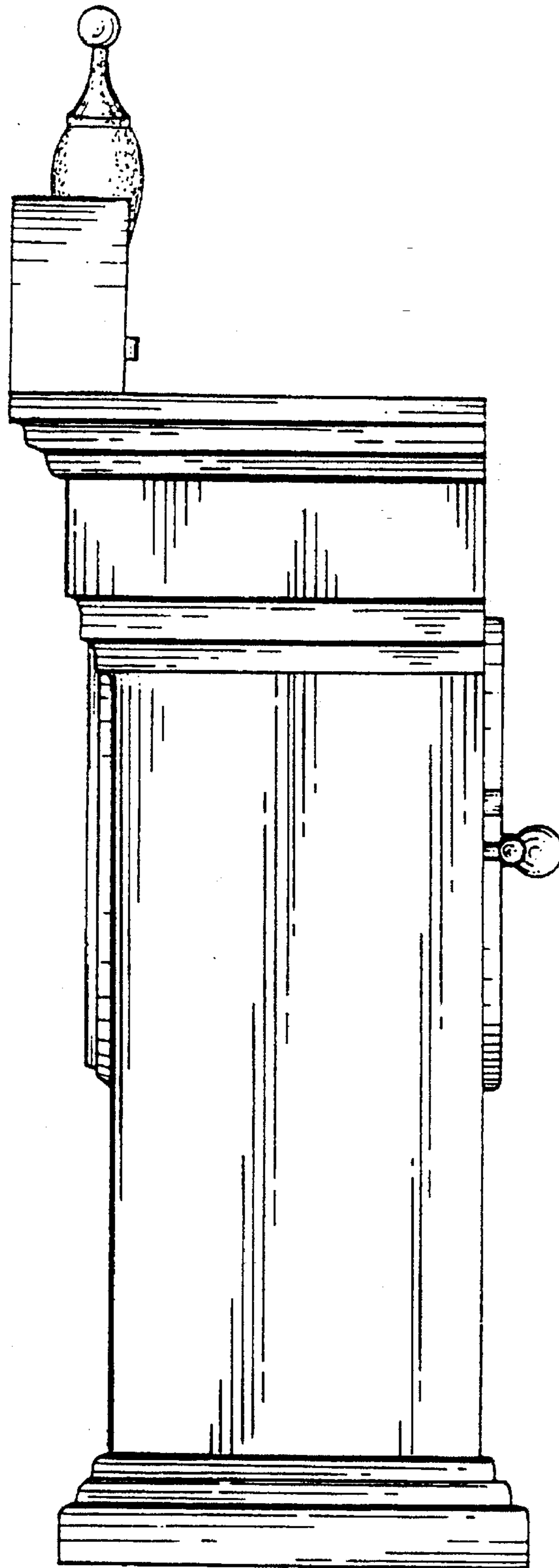


FIG. 4

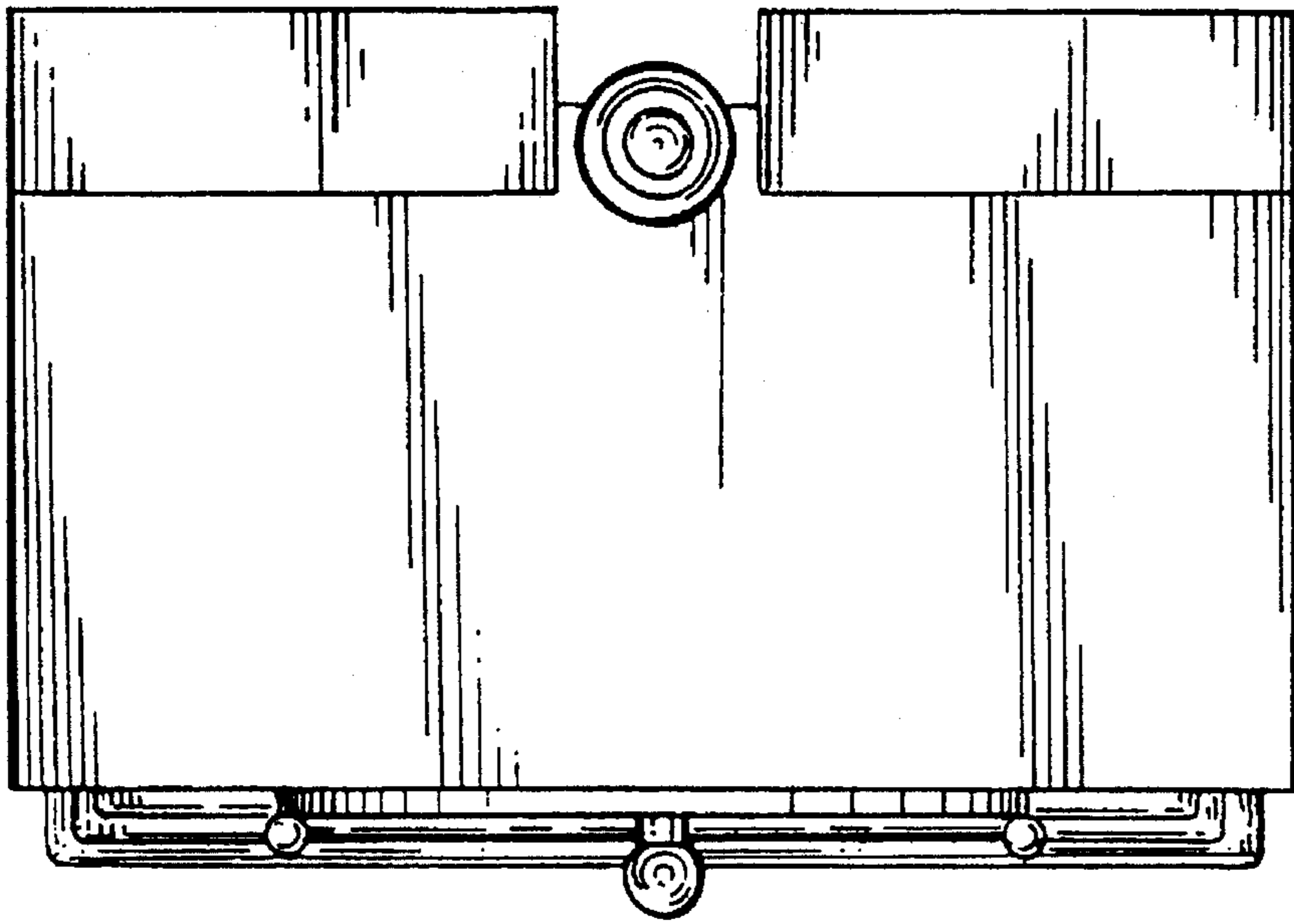


FIG. 5

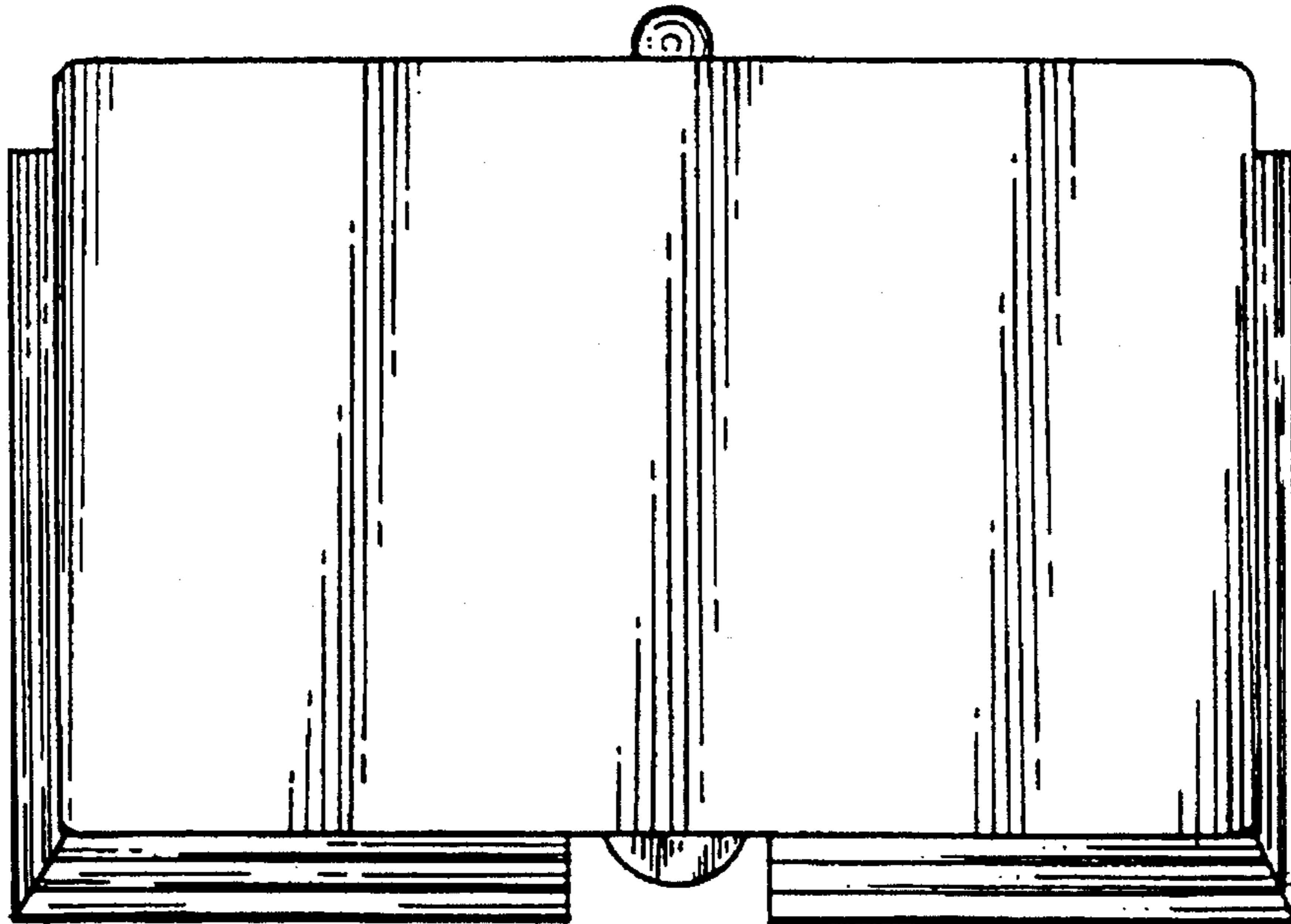


FIG. 6