



US00D364095S

United States Patent [19]
Mak

[11] **Patent Number: Des. 364,095**
[45] **Date of Patent: **Nov. 14, 1995**

[54] **CLOCK**

[75] **Inventor: Ronnie C. W. Mak, Kowloon, Hong Kong**

[73] **Assignee: Sanny Electronics Limited, Kowloon, Hong Kong**

[**] **Term: 14 Years**

[21] **Appl. No.: 35,861**

[22] **Filed: Mar. 8, 1995**

[52] **U.S. Cl. D10/21**

[58] **Field of Search D10/1-40, 122-132; 368/276-277, 285, 316-317**

[56] **References Cited**

U.S. PATENT DOCUMENTS

D. 304,161	10/1989	Nomizu	D10/21
D. 315,682	3/1991	Lin	D10/21
D. 321,484	11/1991	Yu	D10/21
D. 336,436	6/1993	Kawashima	D10/21
D. 345,699	4/1994	Yang	D10/21
4,815,998	3/1989	McGuire	D10/21 X

FOREIGN PATENT DOCUMENTS

0079593 12/1993 Sweden D10/21

OTHER PUBLICATIONS

Hong Kong Enterprise-7/88-p. 113-Clock.

Primary Examiner—Nelson C. Holtje

Attorney, Agent, or Firm—Beveridge DeGrandi Weilacher & Young

[57] **CLAIM**

The ornamental design for a clock, as shown and described.

DESCRIPTION

FIG. 1 is a perspective view of a clock showing my new design;

FIG. 2 is a top plan view thereof;

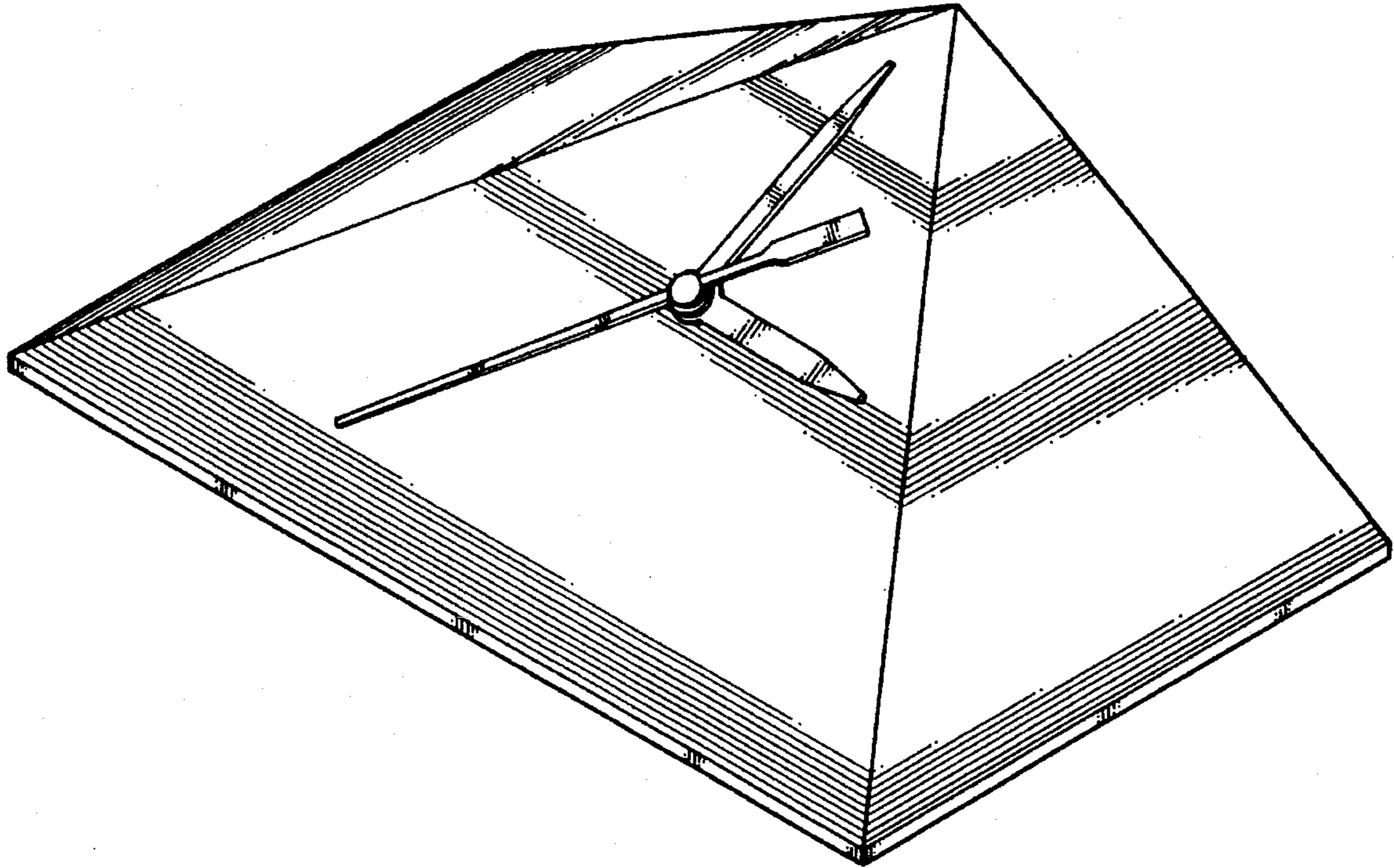
FIG. 3 is a bottom plan view thereof;

FIG. 4 is a left side elevational view thereof, the right side being a mirror image thereto;

FIG. 5 is a front elevational view thereof; and,

FIG. 6 is a rear elevational view thereof.

1 Claim, 3 Drawing Sheets



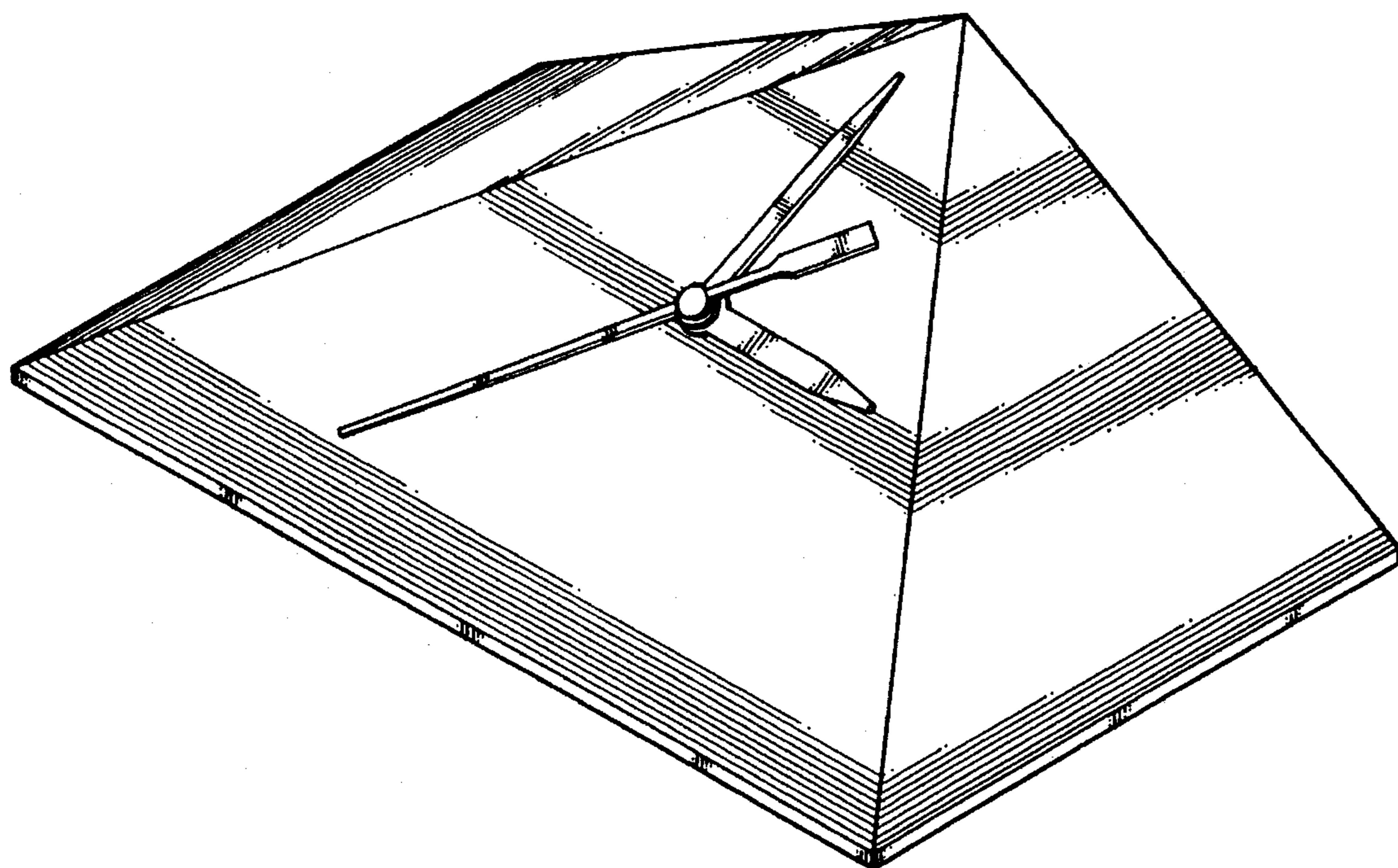


FIG. 1

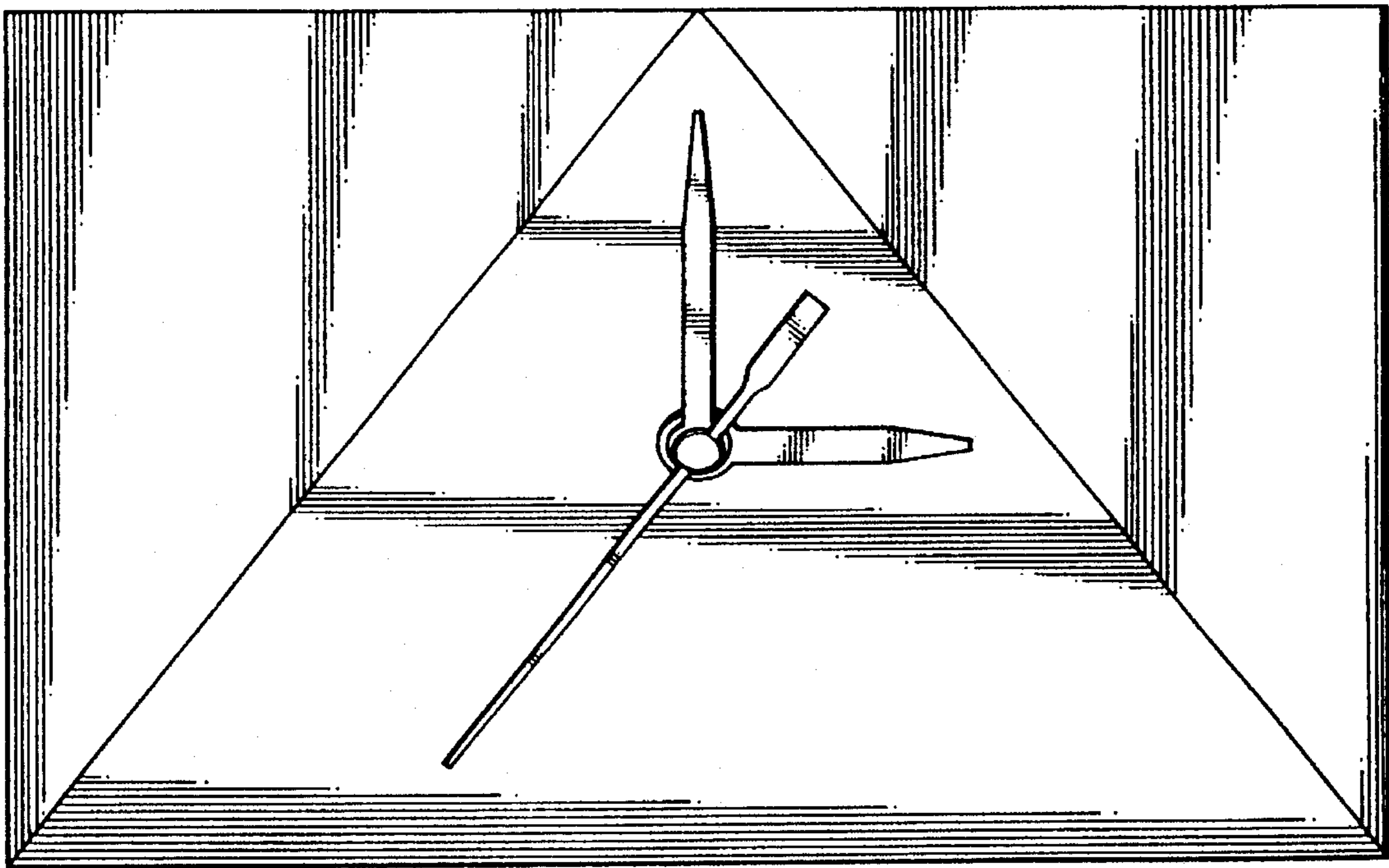


FIG. 2

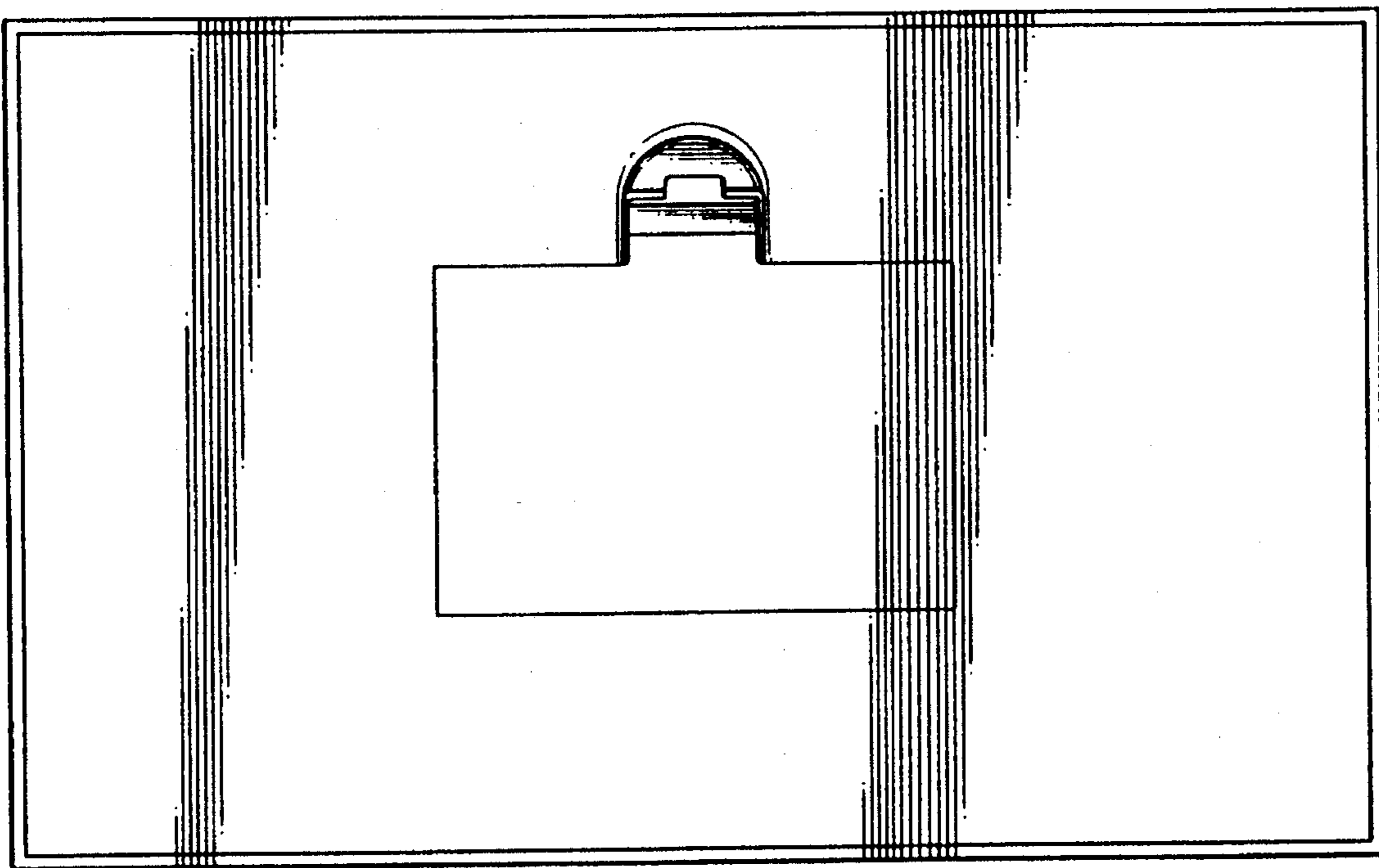


FIG. 3

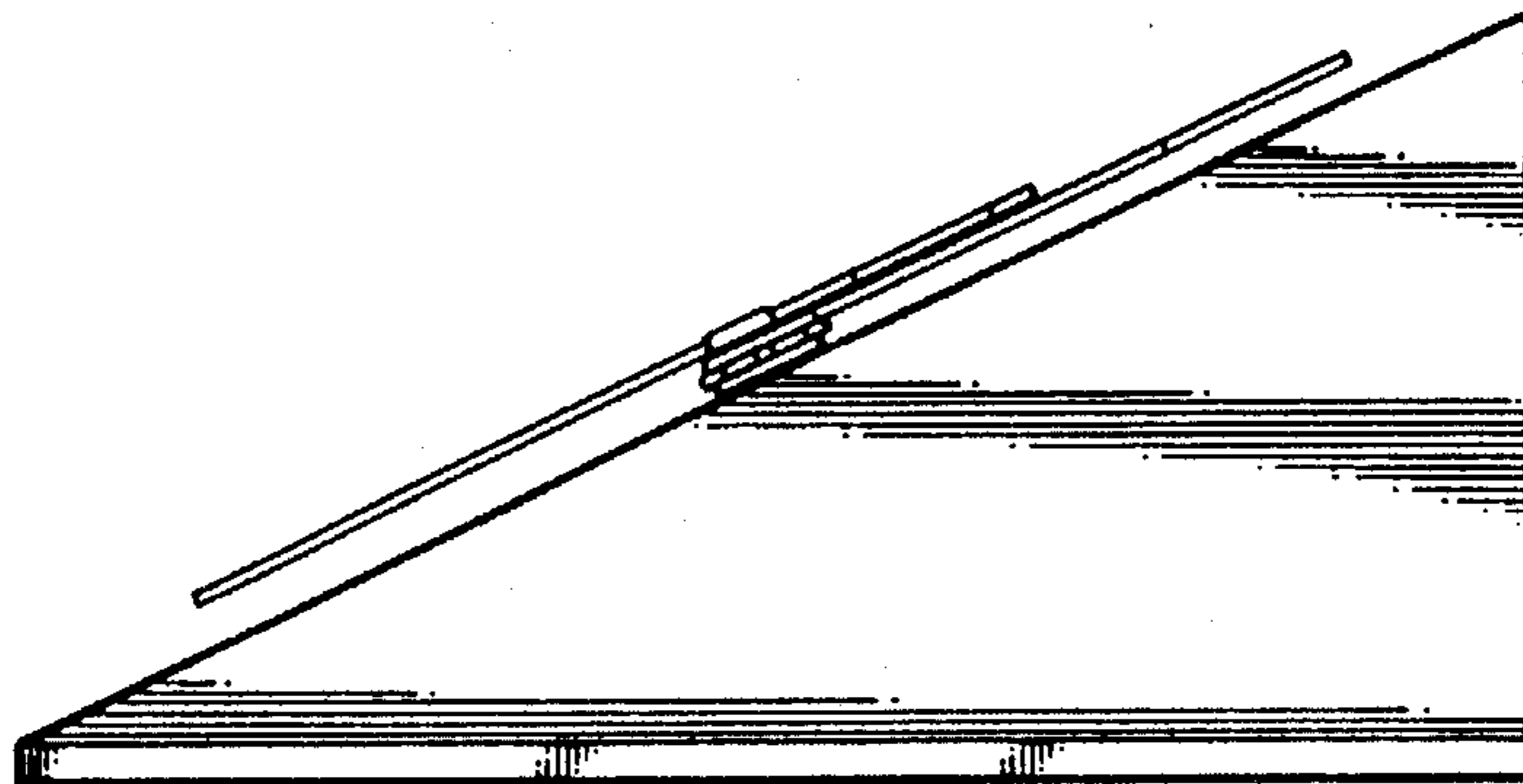


FIG. 4

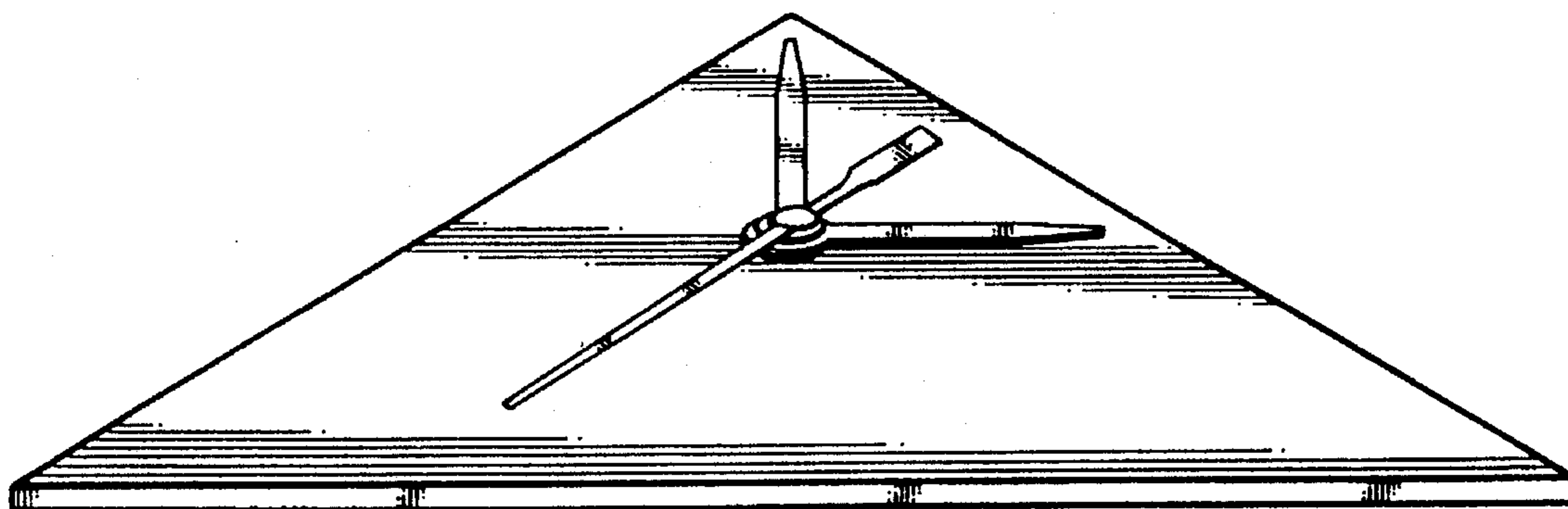


FIG. 5

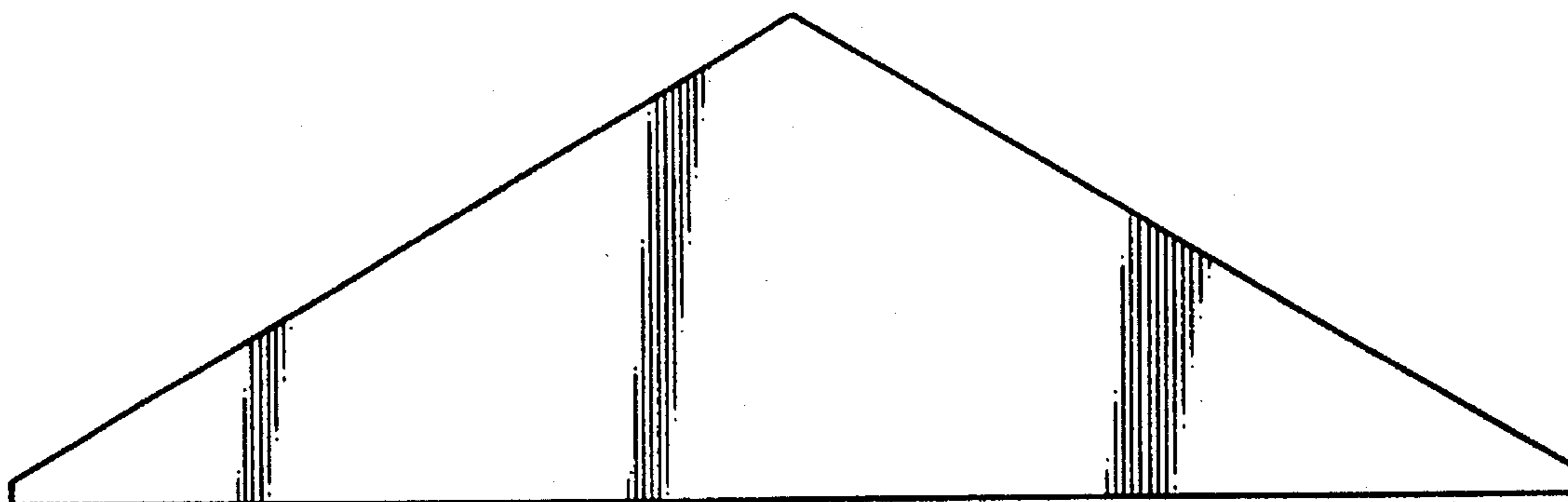


FIG. 6