



US00D364089S

# United States Patent [19]

[11] Patent Number: **Des. 364,089**

**Robbins, III**

[45] Date of Patent: **\*\*Nov. 14, 1995**

## [54] COLLAPSIBLE CONTAINER

## FOREIGN PATENT DOCUMENTS

[76] Inventor: **Edward S. Robbins, III**, 2802 E. Avalon Ave., Muscle Shoals, Ala. 35661

2628066	9/1989	France	.....	220/666
8805014	7/1988	WIPO	.....	220/666
9405555	3/1994	WIPO	.....	220/666

[\*\*] Term: **14 Years**

## OTHER PUBLICATIONS

[21] Appl. No.: **30,466**

Bellows Digest, Feb.-1989.

[22] Filed: **Oct. 31, 1994**

*Primary Examiner*—Prabhakar G. Deshmukh  
*Attorney, Agent, or Firm*—Nixon & Vanderhye

## Related U.S. Application Data

## [57] CLAIM

[60] Division of Ser. No. 7,106, Apr. 16, 1993, Pat. No. Des. 358,764, which is a continuation-in-part of Ser. No. 12,122, Feb. 1, 1993, abandoned.

The ornamental design for the collapsible container, as shown and described.

[52] U.S. Cl. .... **D9/428**

## DESCRIPTION

[58] Field of Search ..... D9/428, 500, 429, D9/414, 503, 504, 433, 346, 557, 302, 556, 442, 558; 206/446, 407, 316.3; 220/8, 666, 667, 4.31, 4.08, 376, 403; 229/108.1, 117.01, 117.03, 23 BT, 8; 222/92, 107, 215, 105, 211; 215/1 C, 1 R

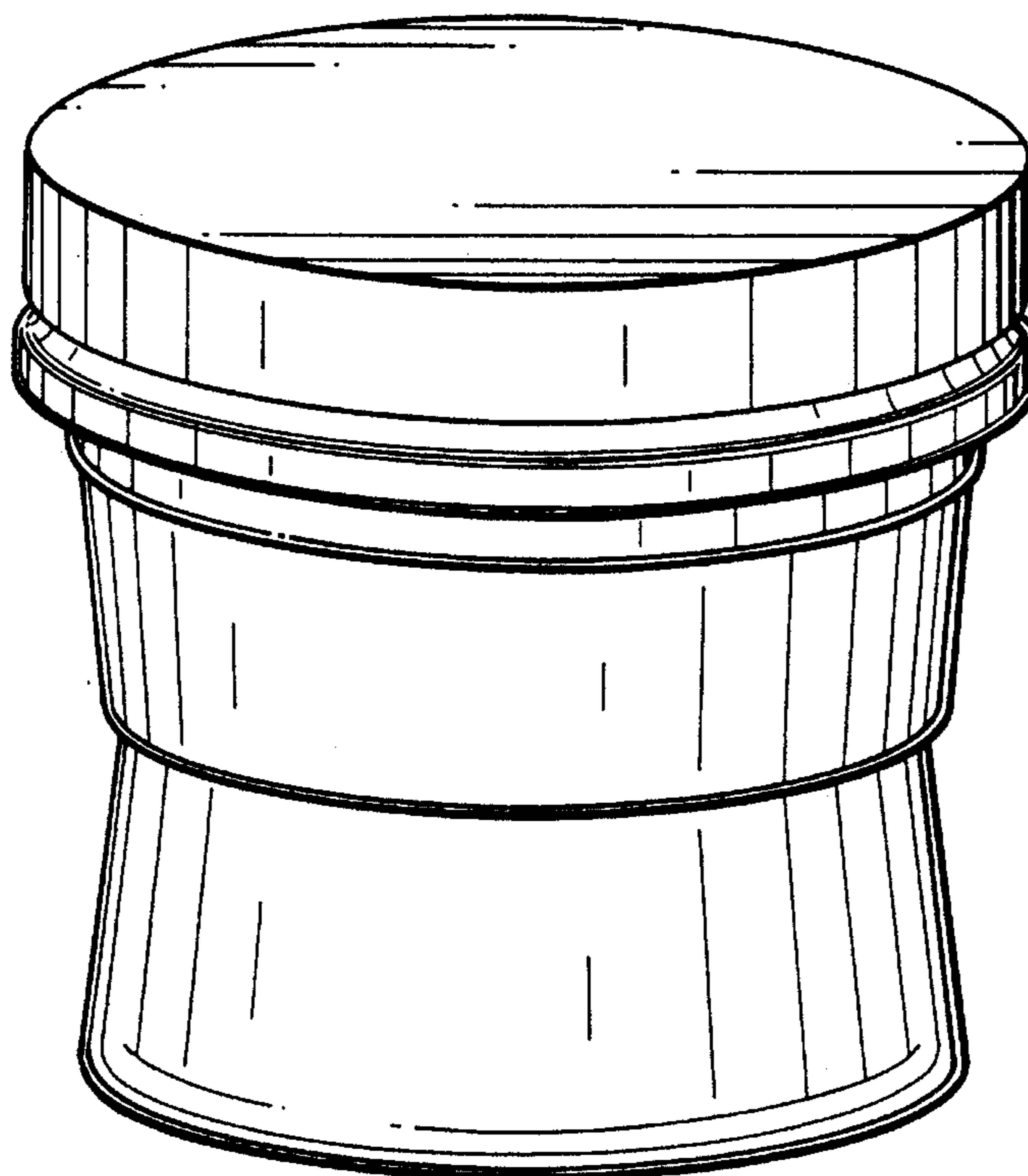
FIG. 1 is a perspective view of a collapsible container showing my new design;  
 FIG. 2 is a top plan view thereof;  
 FIG. 3 is a front elevational view thereof;  
 FIG. 4 is a bottom plan view thereof;  
 FIG. 5 is a perspective view thereof; in collapsed position;  
 FIG. 6 is a front elevational view of FIG. 5;  
 FIG. 7 is a front elevational view of a second embodiment of FIG. 1;  
 FIG. 8 is a top plan view of FIG. 7;  
 FIG. 9 is a front elevational view of FIG. 7;  
 FIG. 10 is a bottom plan view of FIG. 7;  
 FIG. 11 is a perspective view of FIG. 7; in collapsed position; and,  
 FIG. 12 is a front elevational view of FIG. 10.

## [56] References Cited

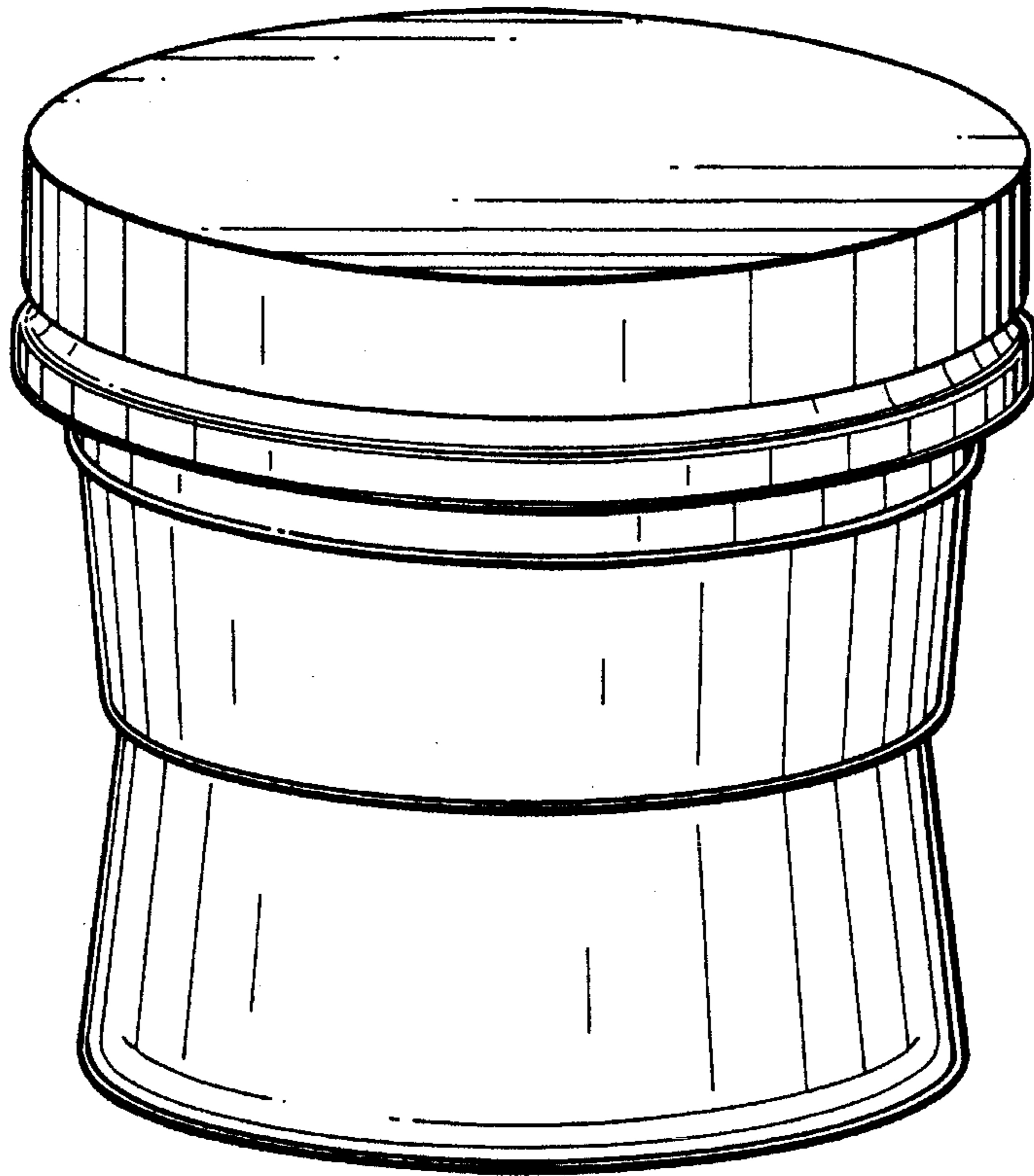
### U.S. PATENT DOCUMENTS

D. 323,290	1/1992	Keedy, Jr.	.....	D9/502
D. 330,993	11/1992	Robbins, III	.....	D9/557 X
3,083,877	4/1963	Gash	.....	220/666 X
3,283,887	11/1966	Rosen	.....	D9/558 X
3,471,058	10/1969	Latham et al.	.....	220/8 X
4,474,324	10/1984	Forbes, Jr.	.....	220/8 X
4,624,382	11/1986	Tontarelli	.....	220/8
4,665,211	9/1989	Hollingsworth	.....	220/8
5,226,551	7/1993	Robbins, III	.....	220/8

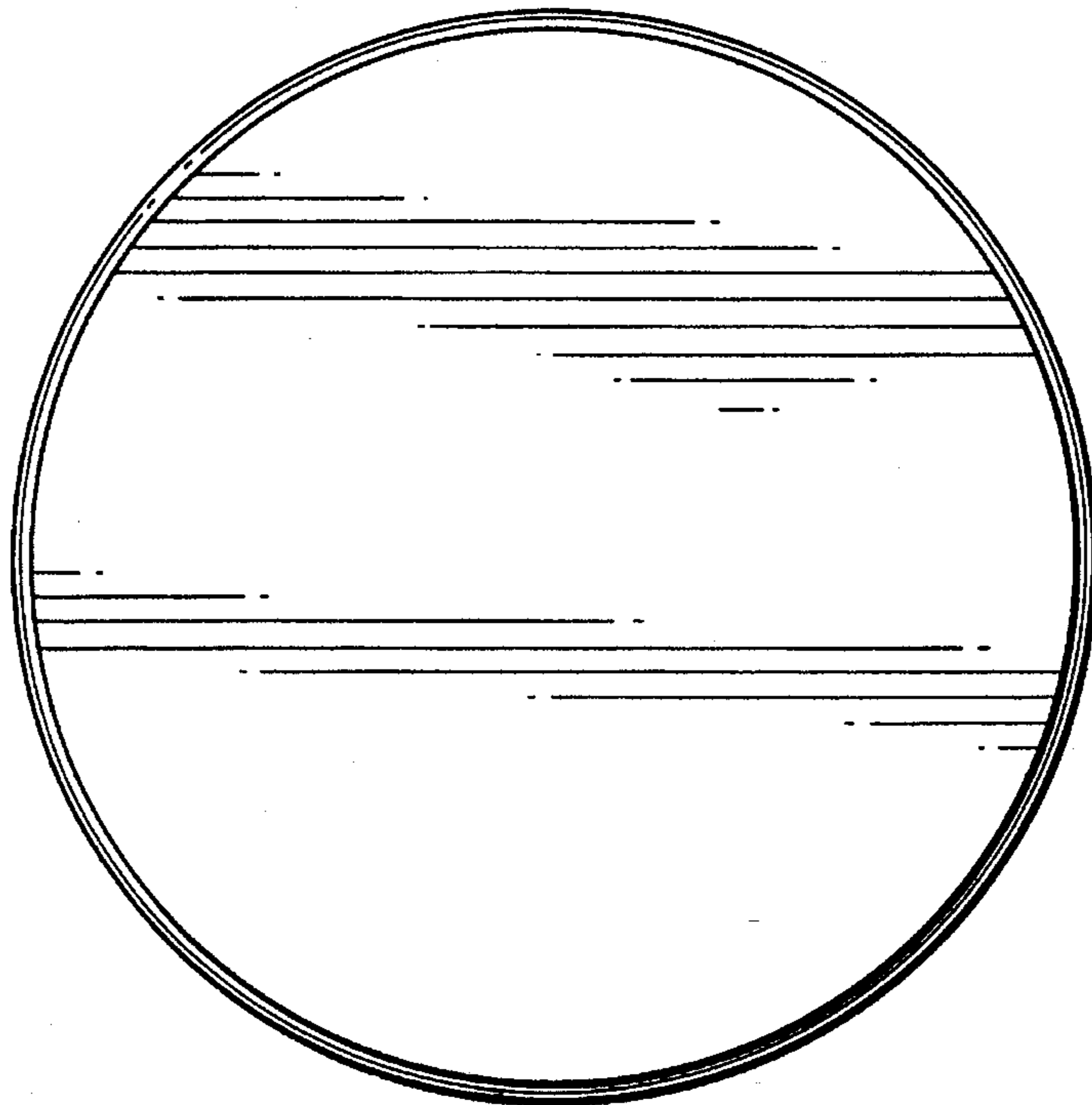
**1 Claim, 6 Drawing Sheets**



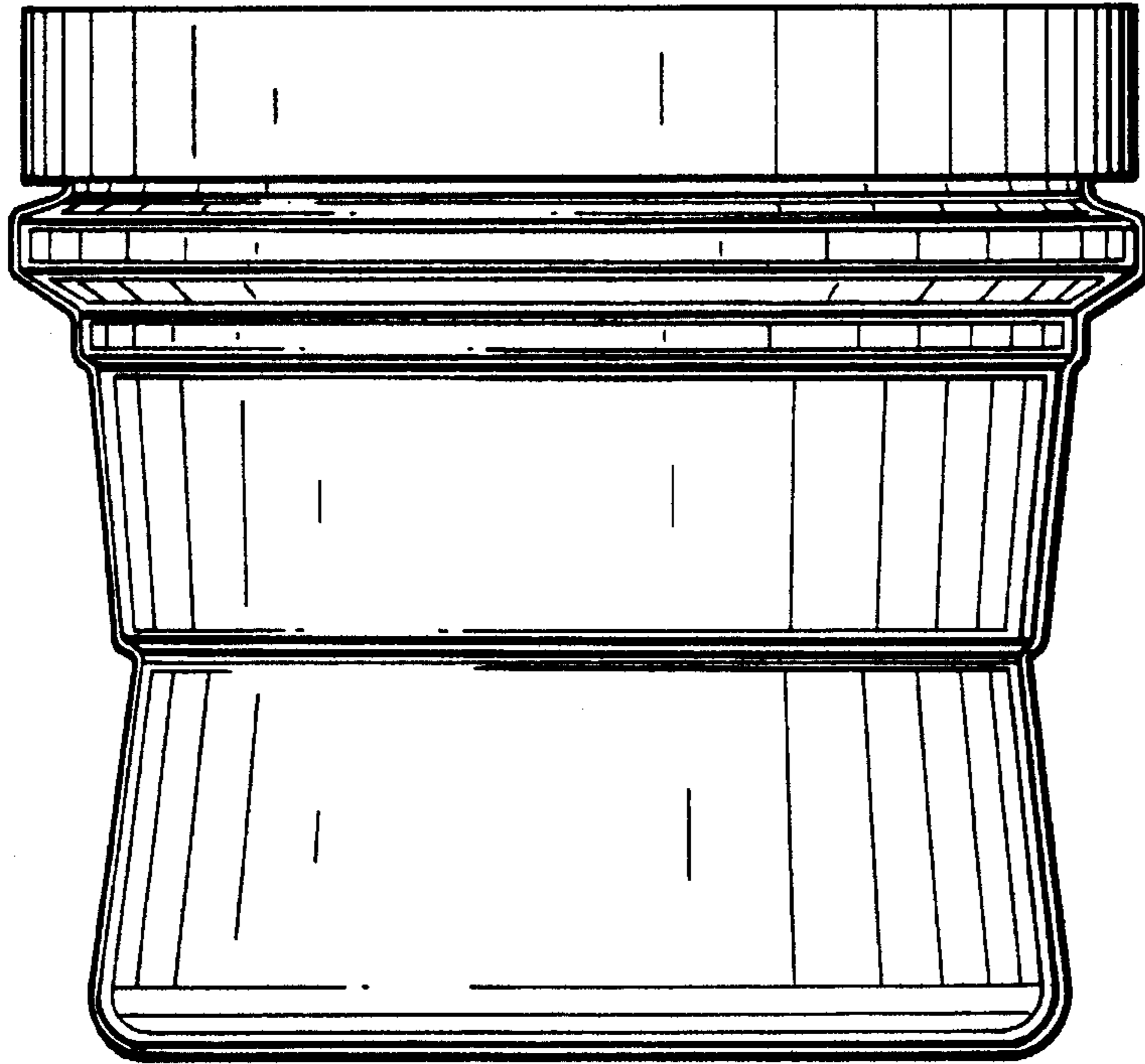
**FIG. 1**



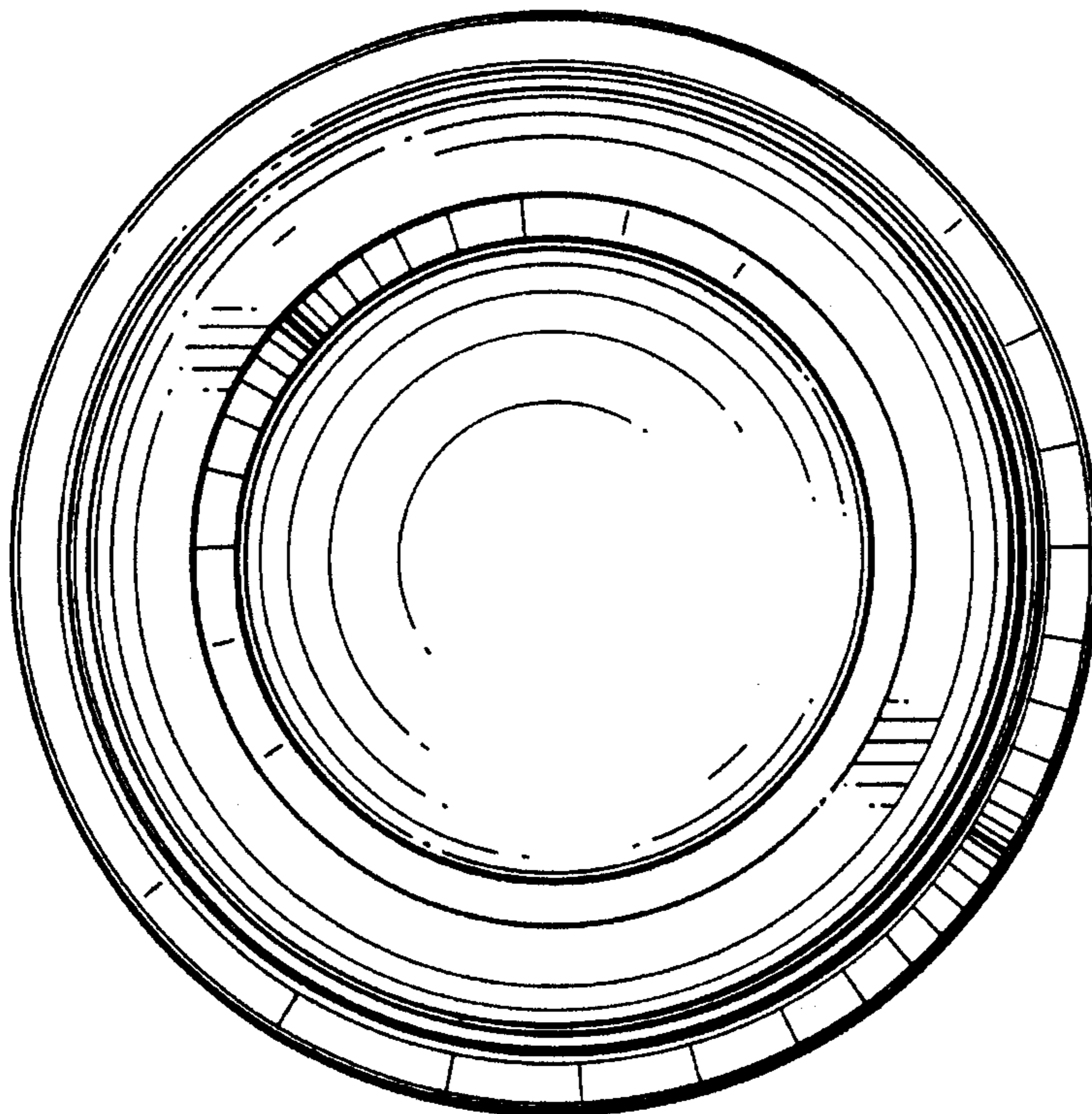
**FIG. 2**



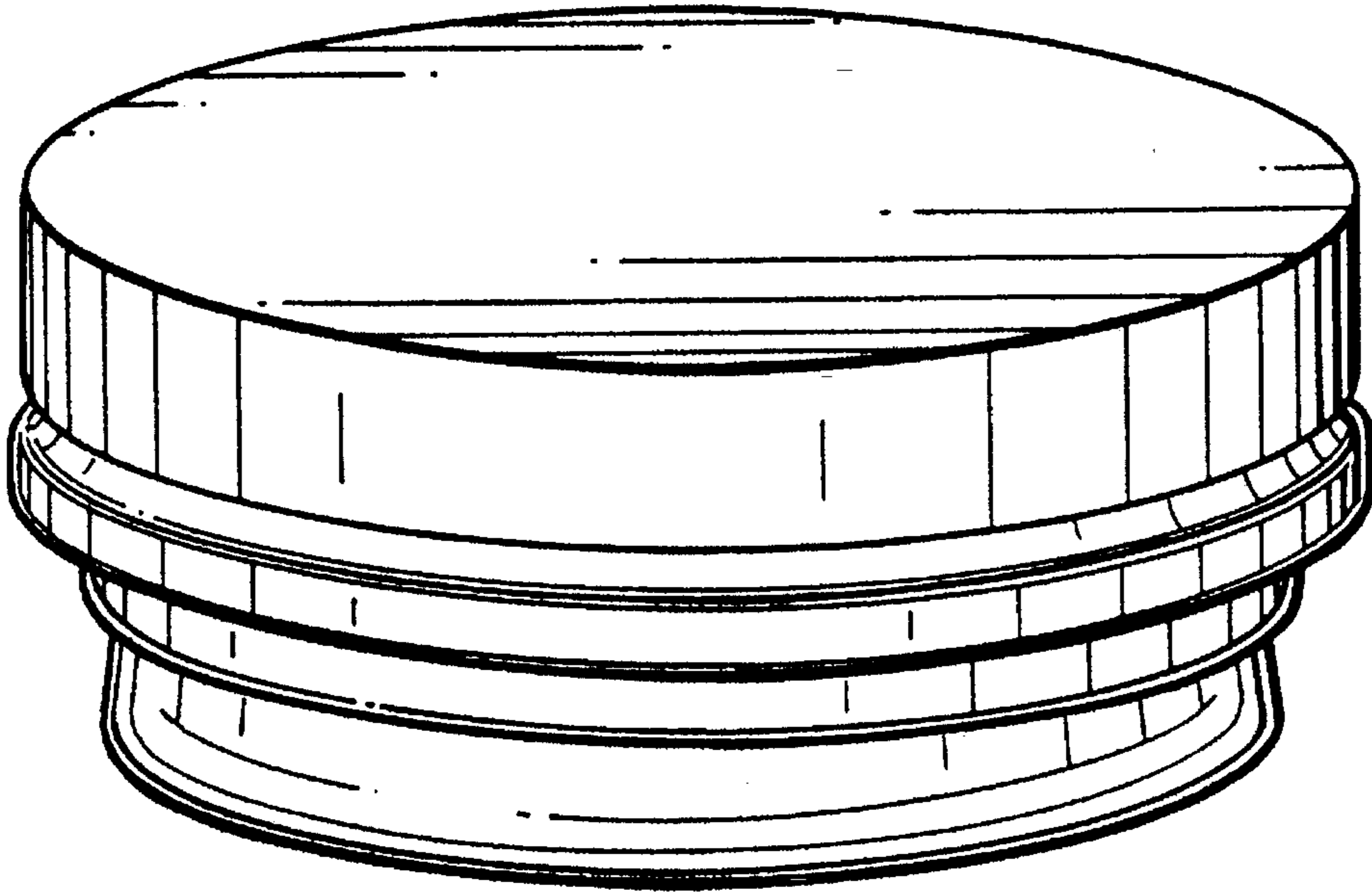
**FIG. 3**



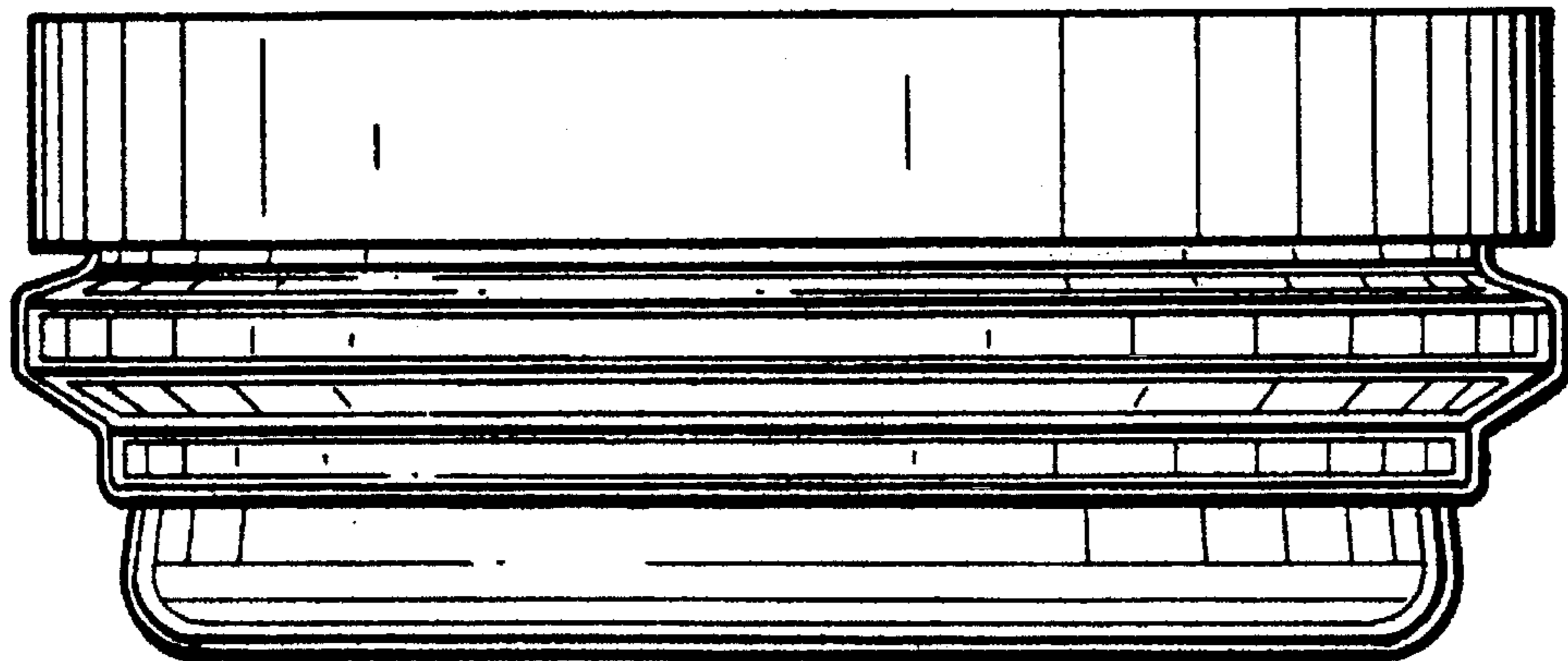
**FIG. 4**



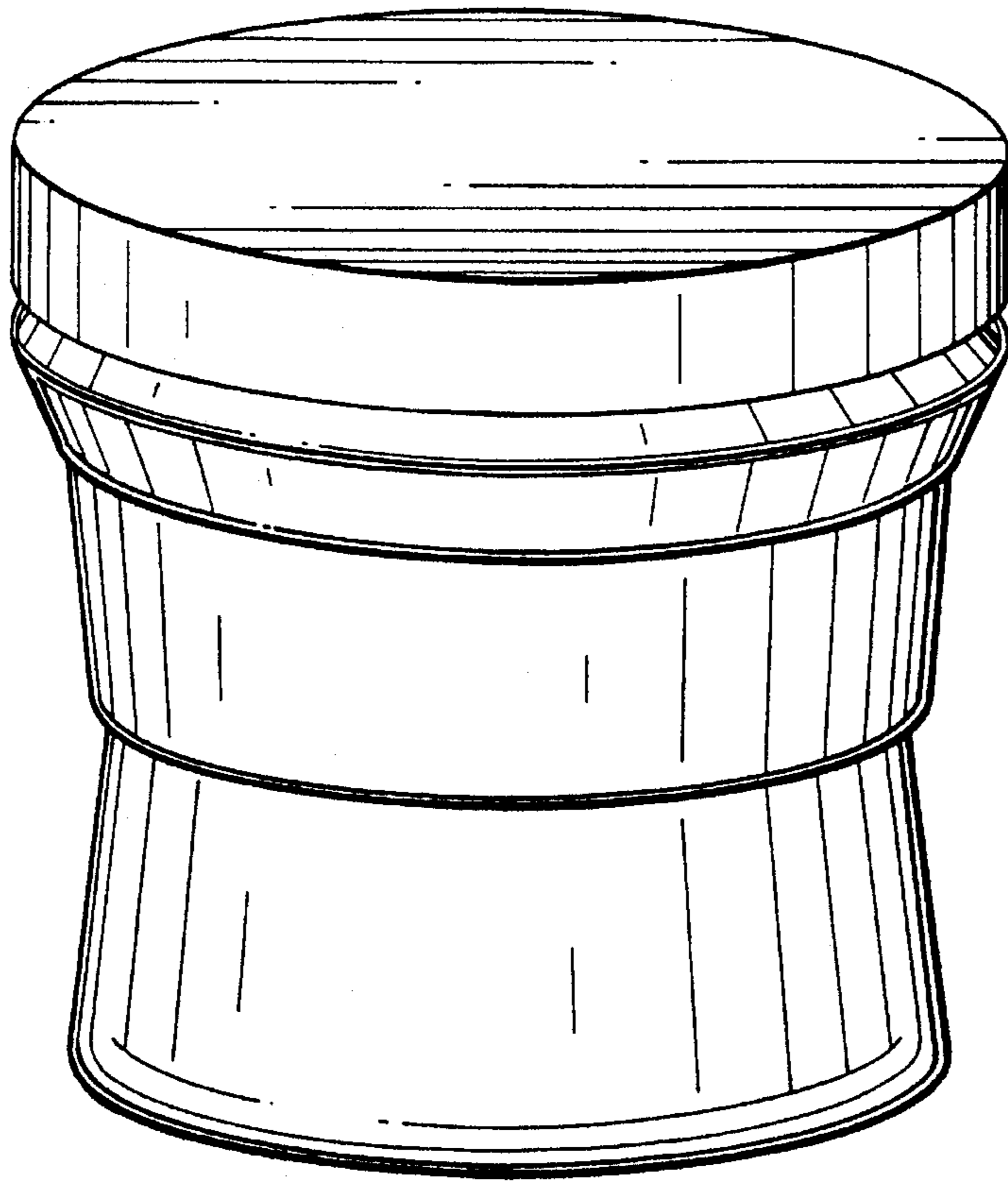
**FIG. 5**



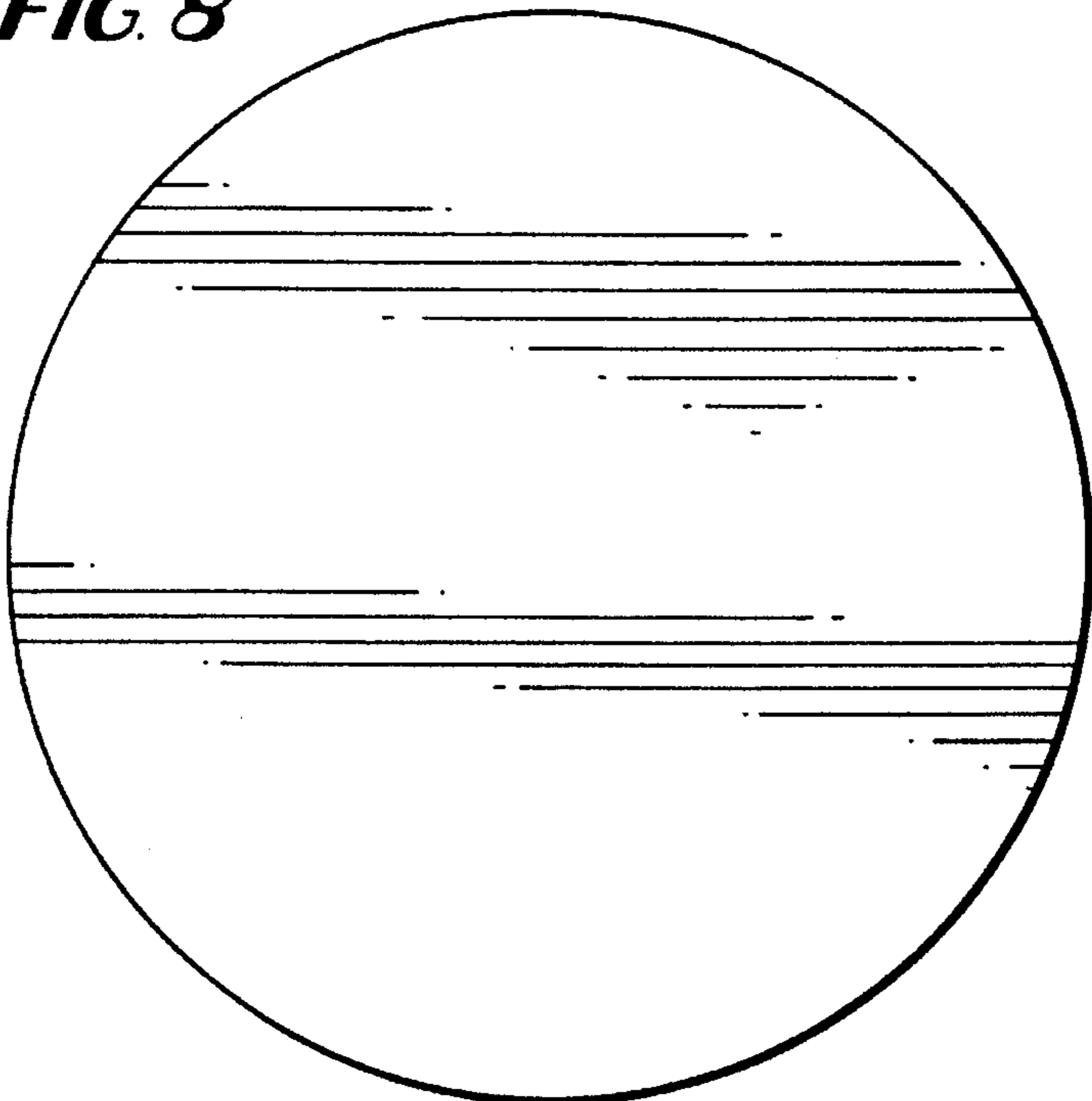
**FIG. 6**



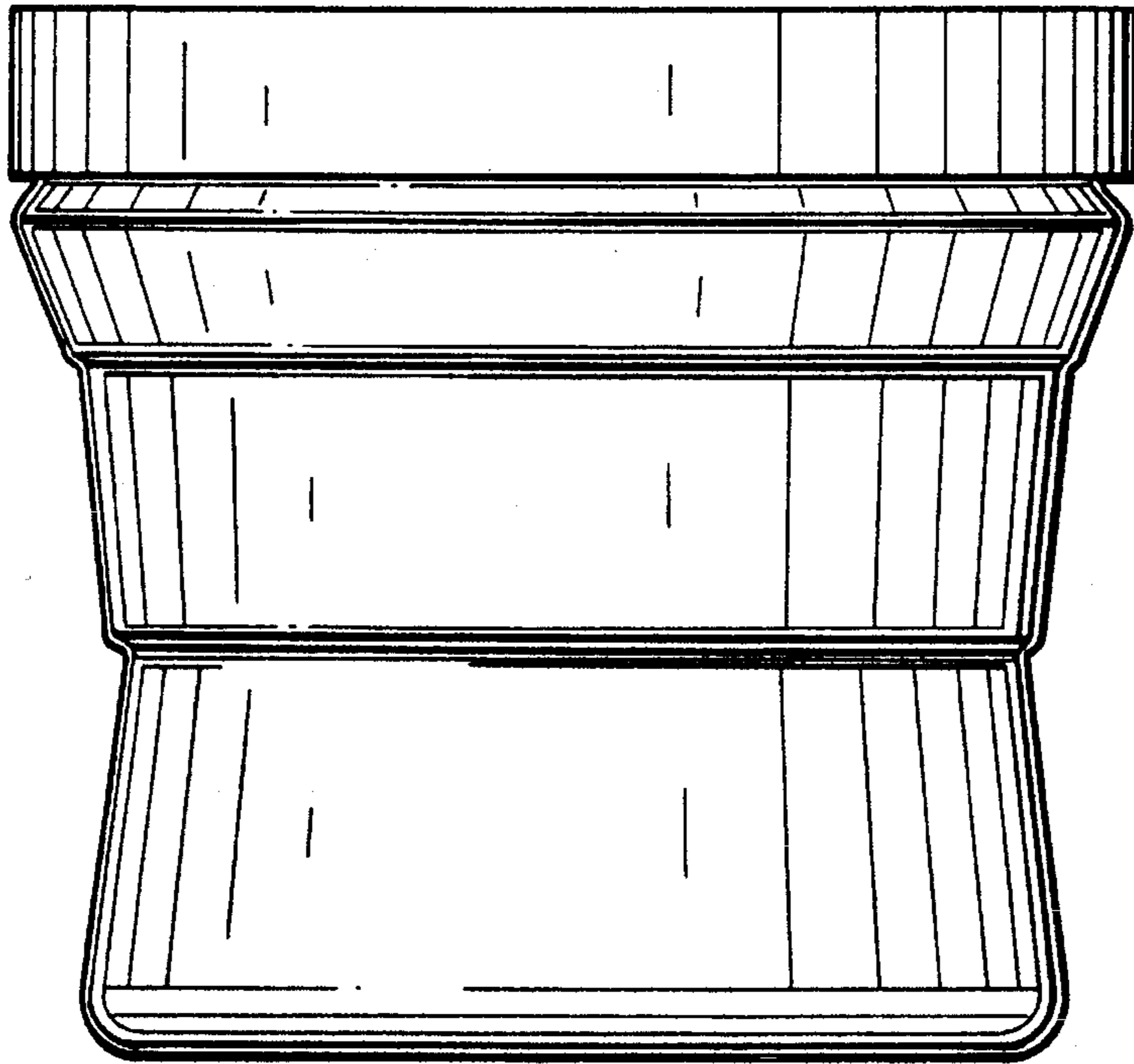
**FIG. 7**



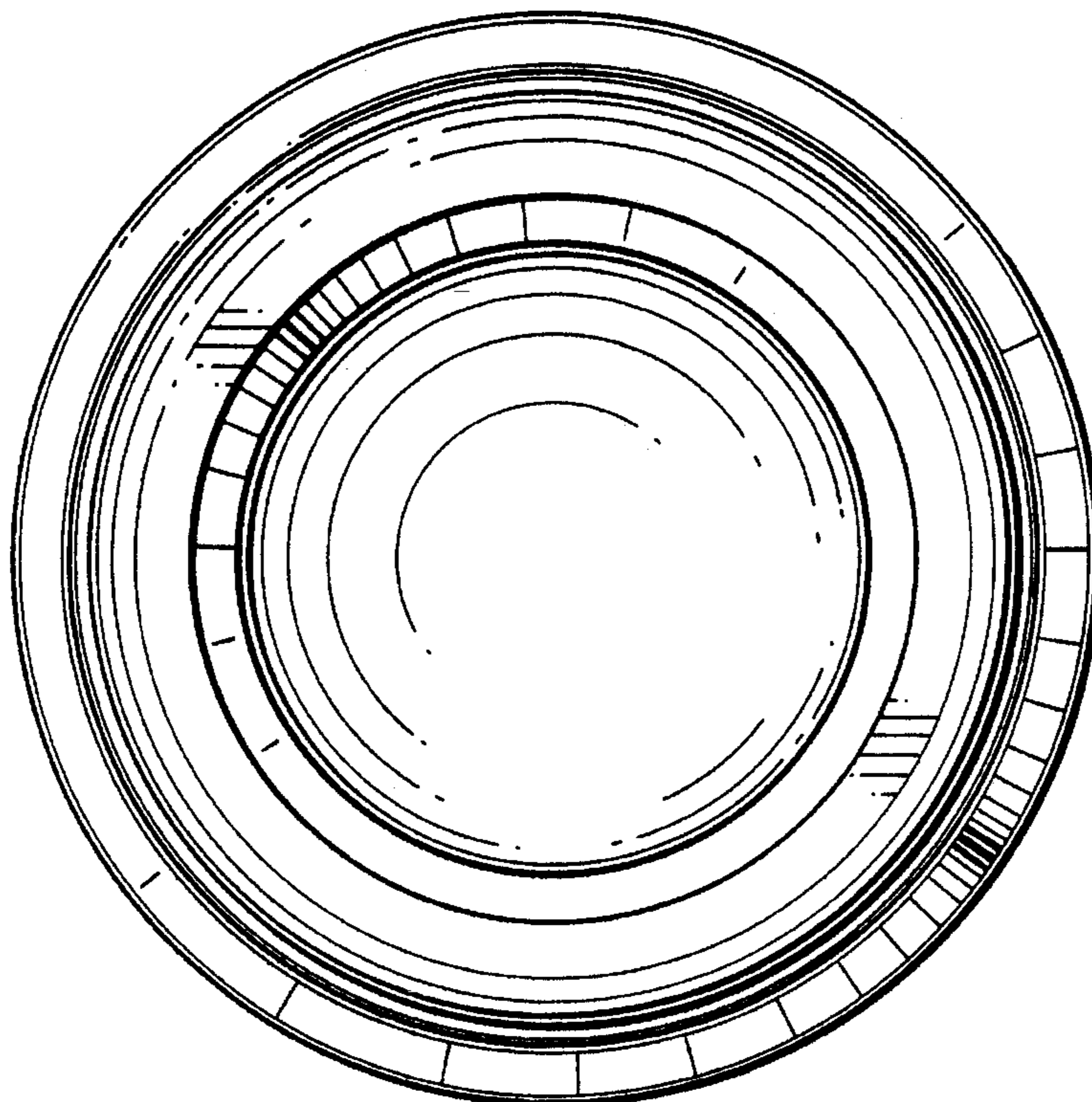
**FIG. 8**



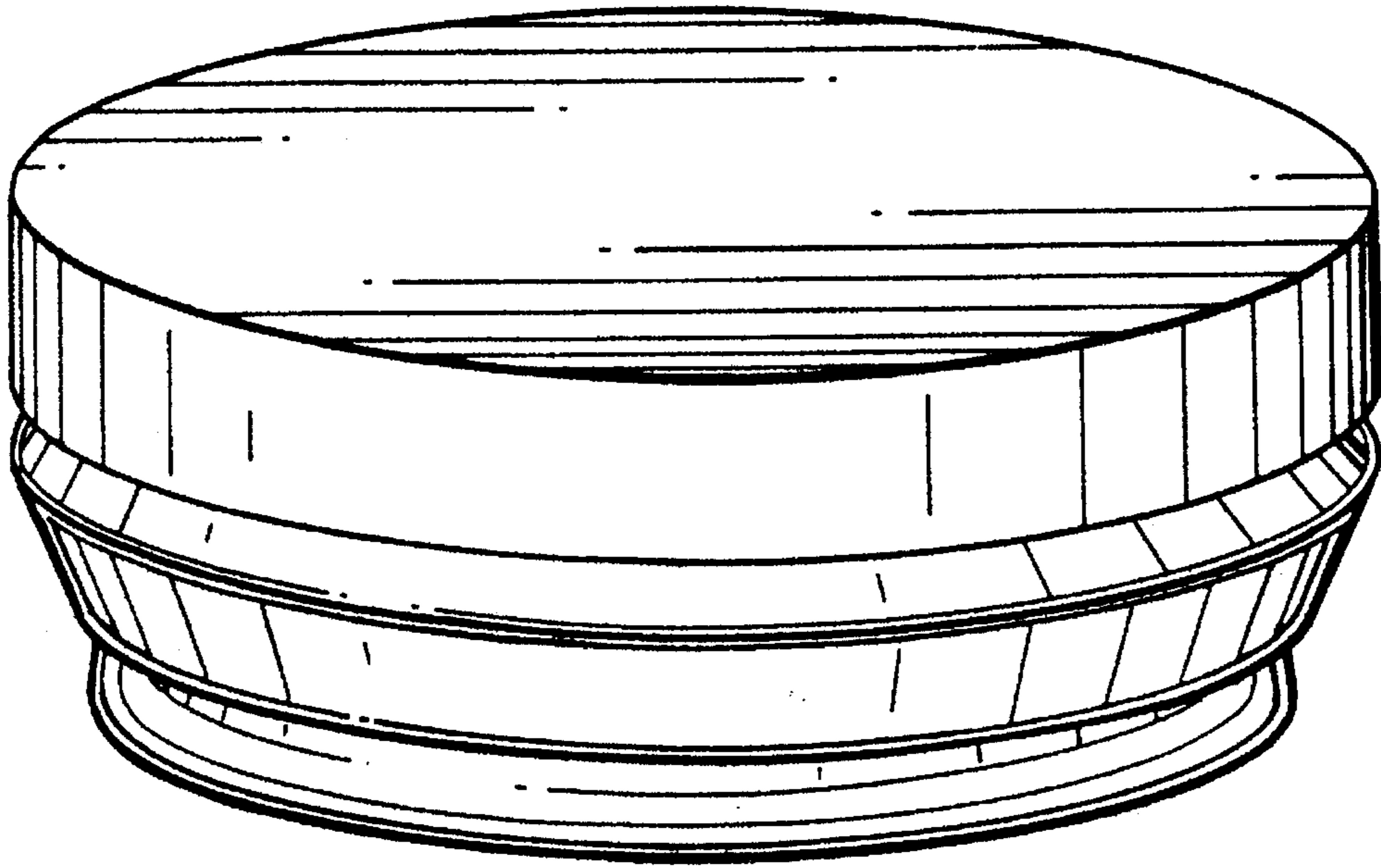
**FIG. 9**



**FIG. 10**



**FIG. 11**



**FIG. 12**

