



US00D364086S

United States Patent [19]

Jacobson

[11] Patent Number: **Des. 364,086**

[45] Date of Patent: ****Nov. 14, 1995**

[54] PLASTIC POUCH WITH SUBDIVIDED COMPARTMENTS

[76] Inventor: **Arthur F. Jacobson**, 1414 Jacobson Dr., Waukegan, Ill. 60085-7408

[**] Term: **14 Years**

[21] Appl. No.: **19,144**

[22] Filed: **Feb. 24, 1994**

[52] U.S. Cl. **D9/305**

[58] Field of Search D9/305, 339; 229/72; 206/461, 806, 260; 383/38, 39, 40, 41, 37

[56] References Cited

U.S. PATENT DOCUMENTS

D. 268,785	4/1983	Sommers	D24/226
D. 270,811	10/1983	Skovgaard	D9/305
D. 277,900	3/1985	Reed	D3/224
D. 344,015	2/1994	Jacobson	D3/227 X
D. 344,407	2/1994	Derrickson	D9/305 X
3,958,750	5/1976	Prybeck	206/260 X
4,401,213	8/1983	Lerner	206/806 X
5,056,930	10/1991	Mestetsky	383/40 X

OTHER PUBLICATIONS

Best Catalog, 1985/86, p. 365, (Mechanic's 5-Piece Plier Kit) Item #19.

Primary Examiner—Theodore M. Shooman

Assistant Examiner—Cheri Cohen

Attorney, Agent, or Firm—Gardner, Carton & Douglas

[57] CLAIM

The ornamental design for the plastic pouch with subdivided compartments, as shown and described.

DESCRIPTION

FIG. 1 is a perspective view of a plastic pouch with subdivided compartments showing my new design;

FIG. 2 is a perspective view thereof, with the flap in an open position;

FIG. 3 is a right side elevation view thereof, the opposite side being a mirror image;

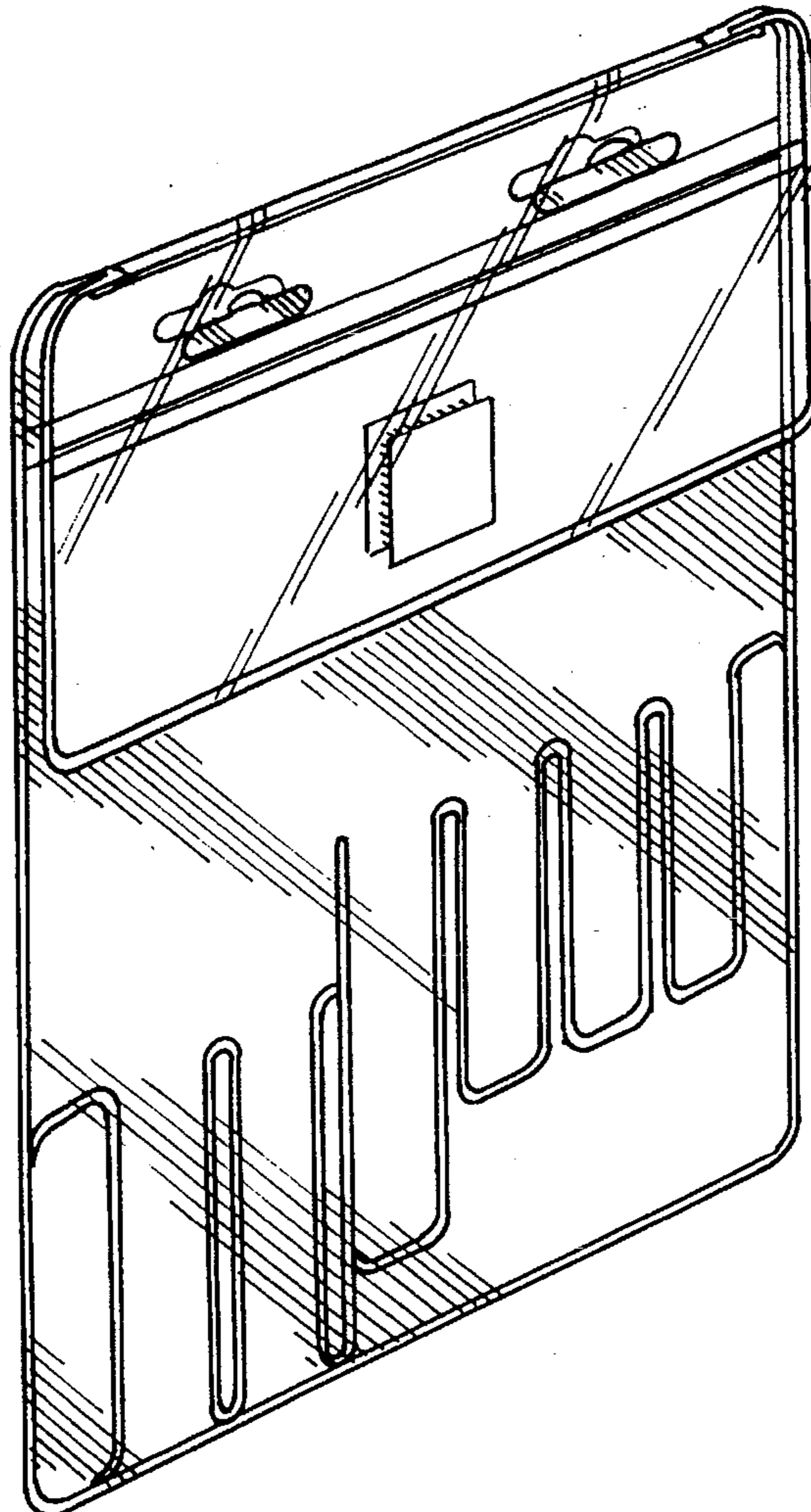
FIG. 4 is a top view thereof;

FIG. 5 is a front view thereof;

FIG. 6 is a back view thereof; and,

FIG. 7 is a bottom view thereof.

1 Claim, 3 Drawing Sheets



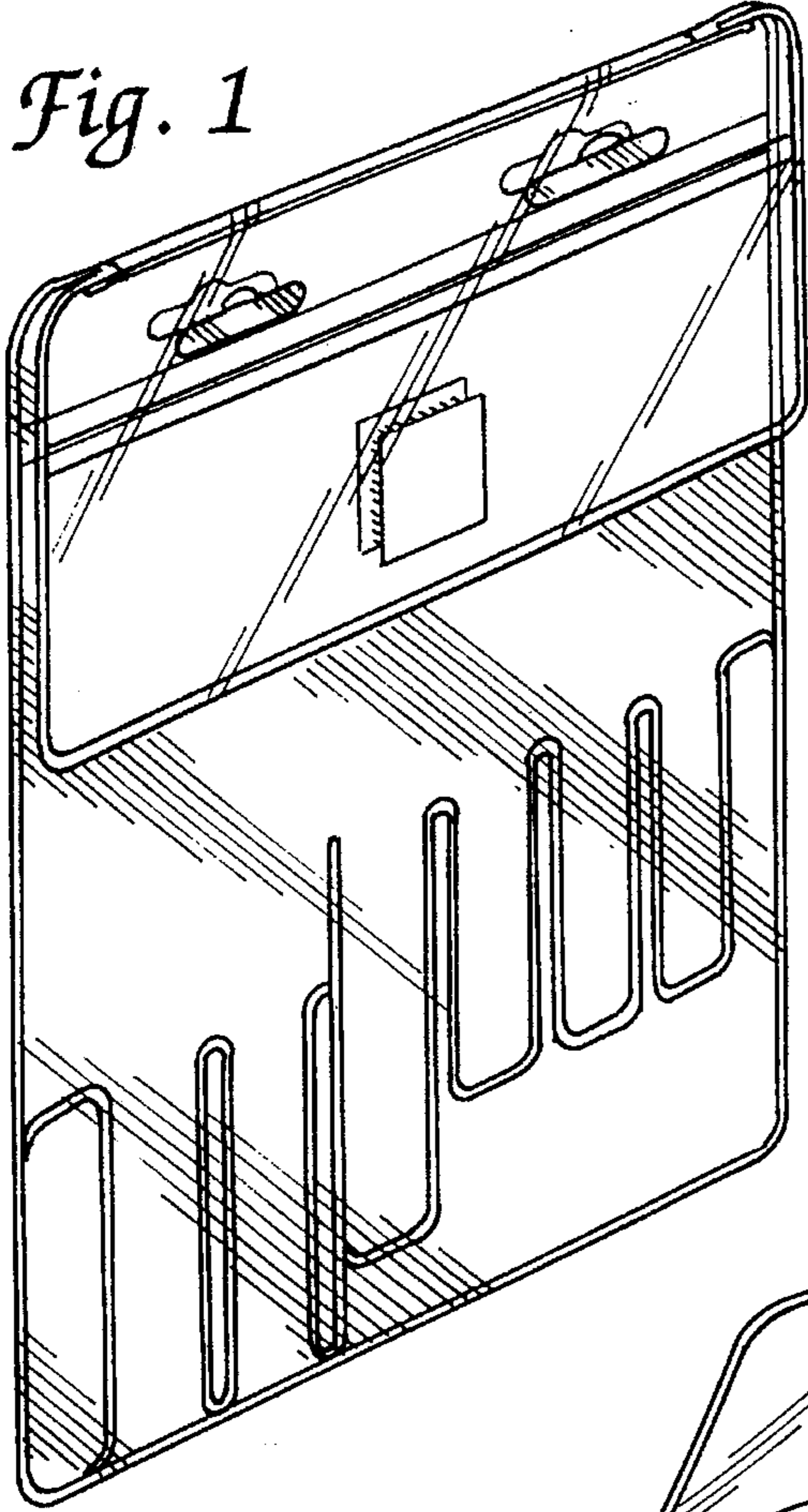


Fig. 3



Fig. 2

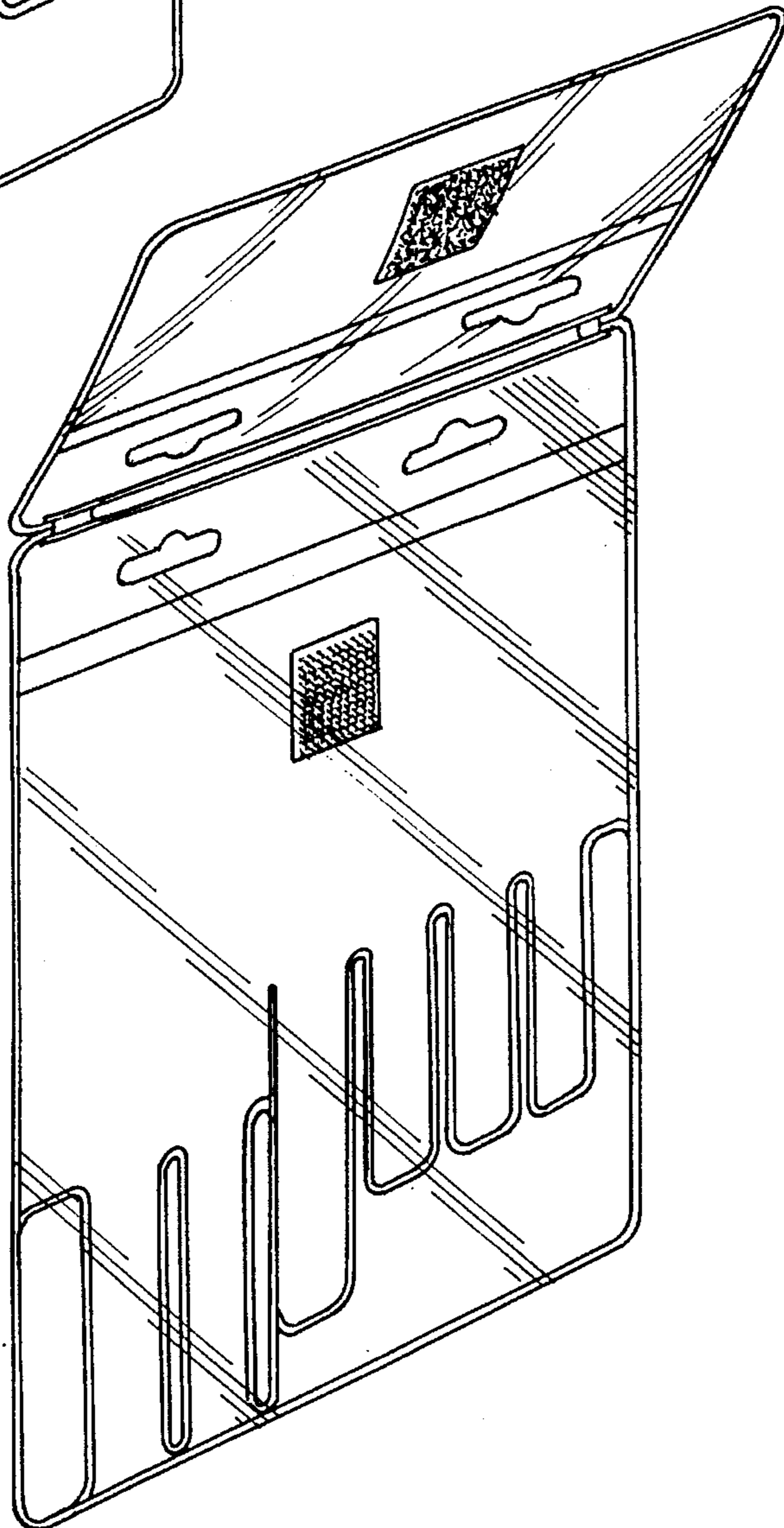


Fig. 4



Fig. 5

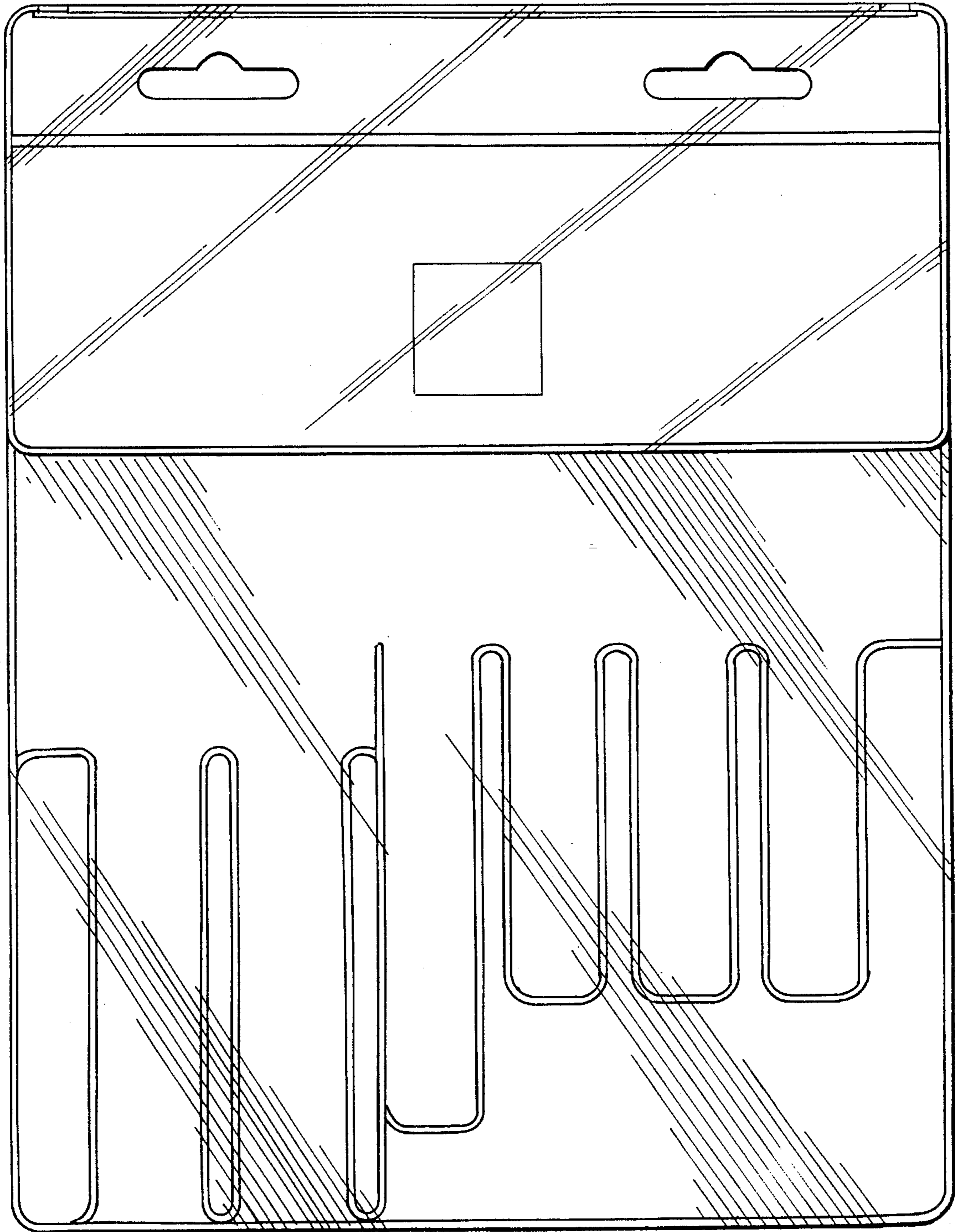


Fig. 6

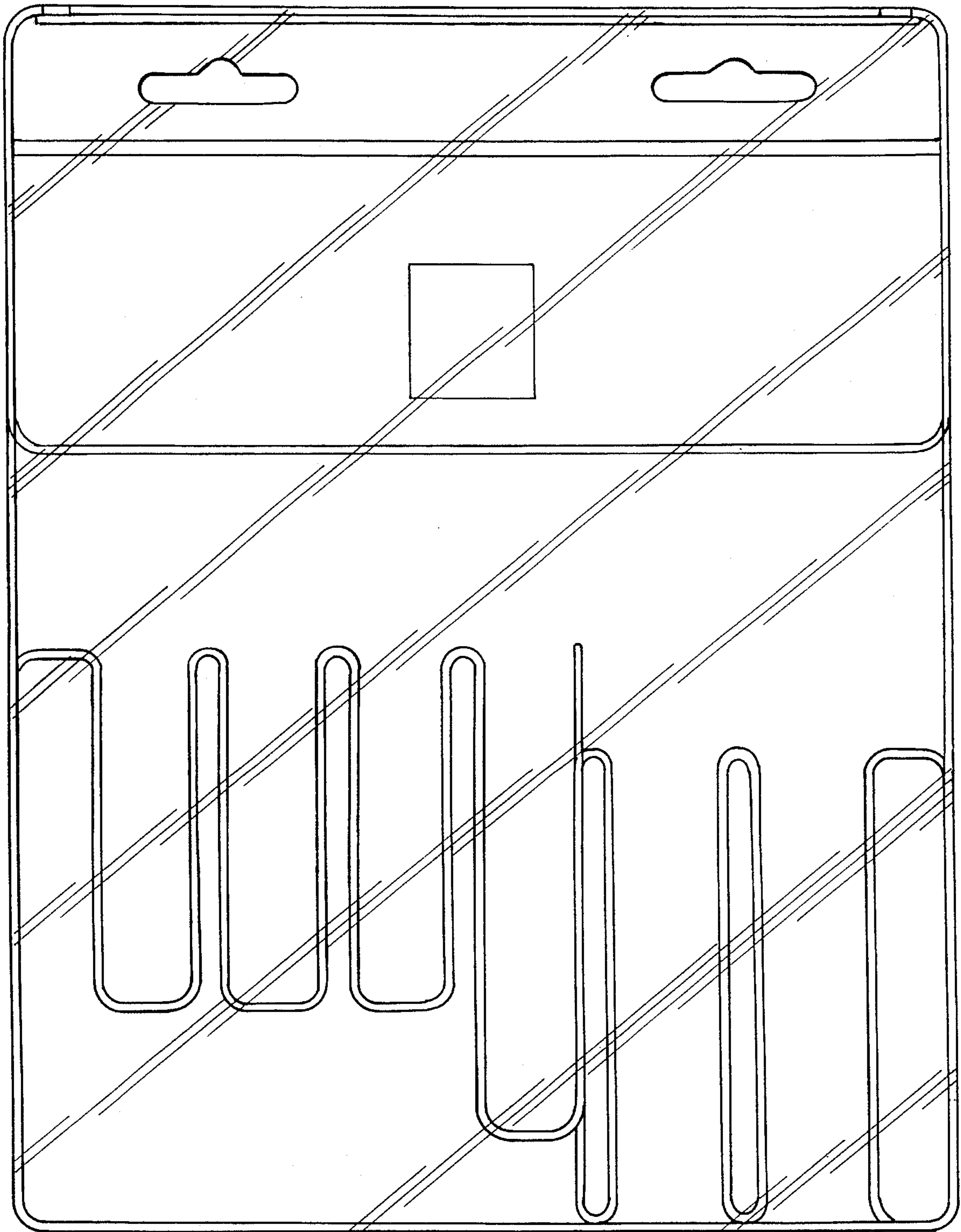


Fig. 7

