



US00D364085S

United States Patent [19]

Beckman et al.

[11] Patent Number: Des. 364,085

[45] Date of Patent: **Nov. 14, 1995

[54] CASTER PAD

D. 215,195	9/1969	Krengel et al.	D11/216
D. 355,833	2/1995	Seaquist	D8/374
4,843,678	7/1989	Park	16/29 X

[75] Inventors: Kurt D. Beckman, Laguna Niguel;
James R. Dunbar, San Juan Capistrano, both of Calif.

Primary Examiner—A. Hugo Word
Assistant Examiner—Holly H. Baynham
Attorney, Agent, or Firm—Stetina Brunda & Buyan

[73] Assignee: Lyn Seaquist, San Juan Capistrano, Calif.

[**] Term: 14 Years

[57] CLAIM

The ornamental design for a caster pad, as shown and described.

[21] Appl. No.: 32,220

[22] Filed: Dec. 14, 1994

[52] U.S. Cl. D8/375

[58] Field of Search D8/375; 16/42 R,
16/30, 29; D11/216; 248/346.1

DESCRIPTION

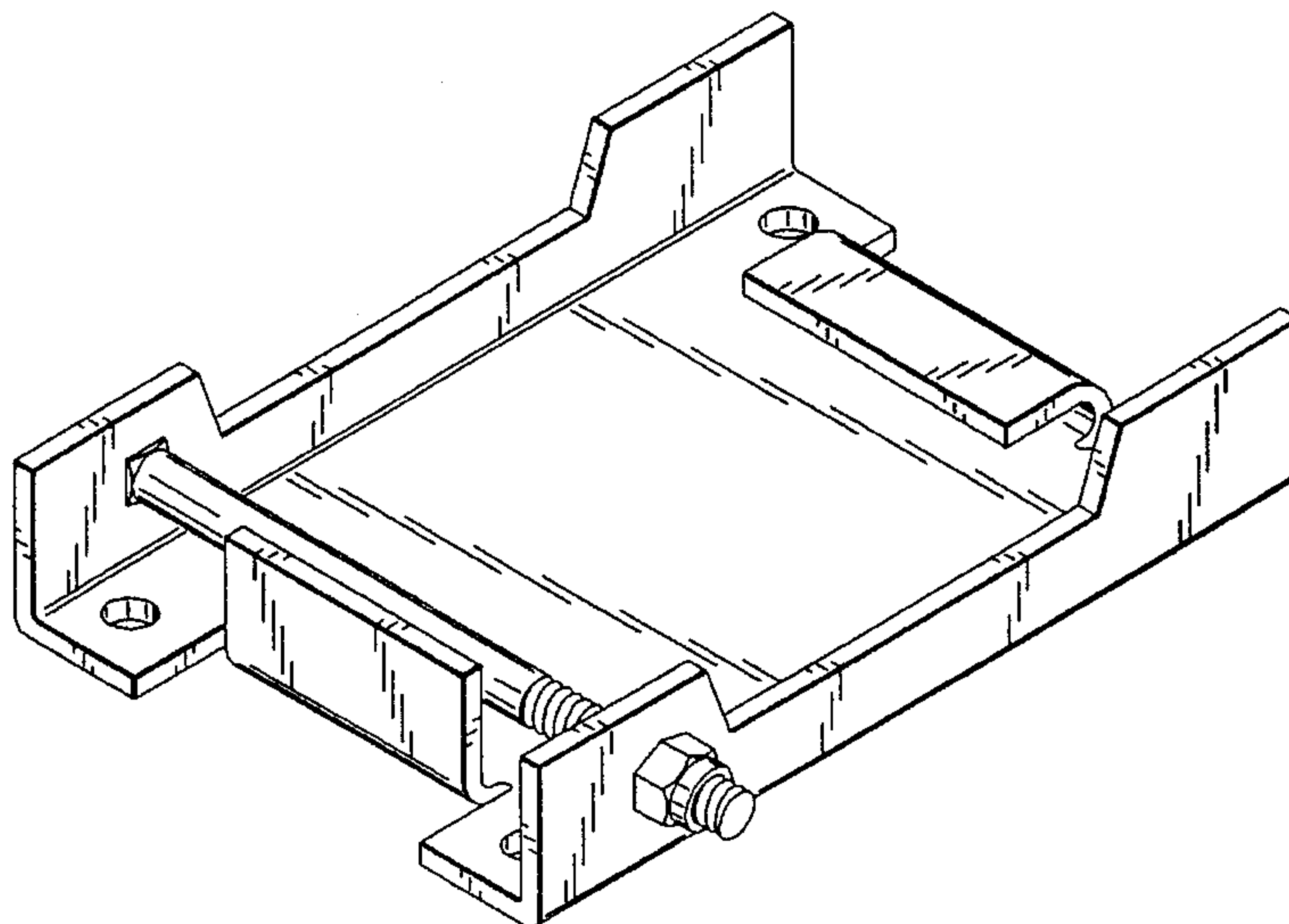
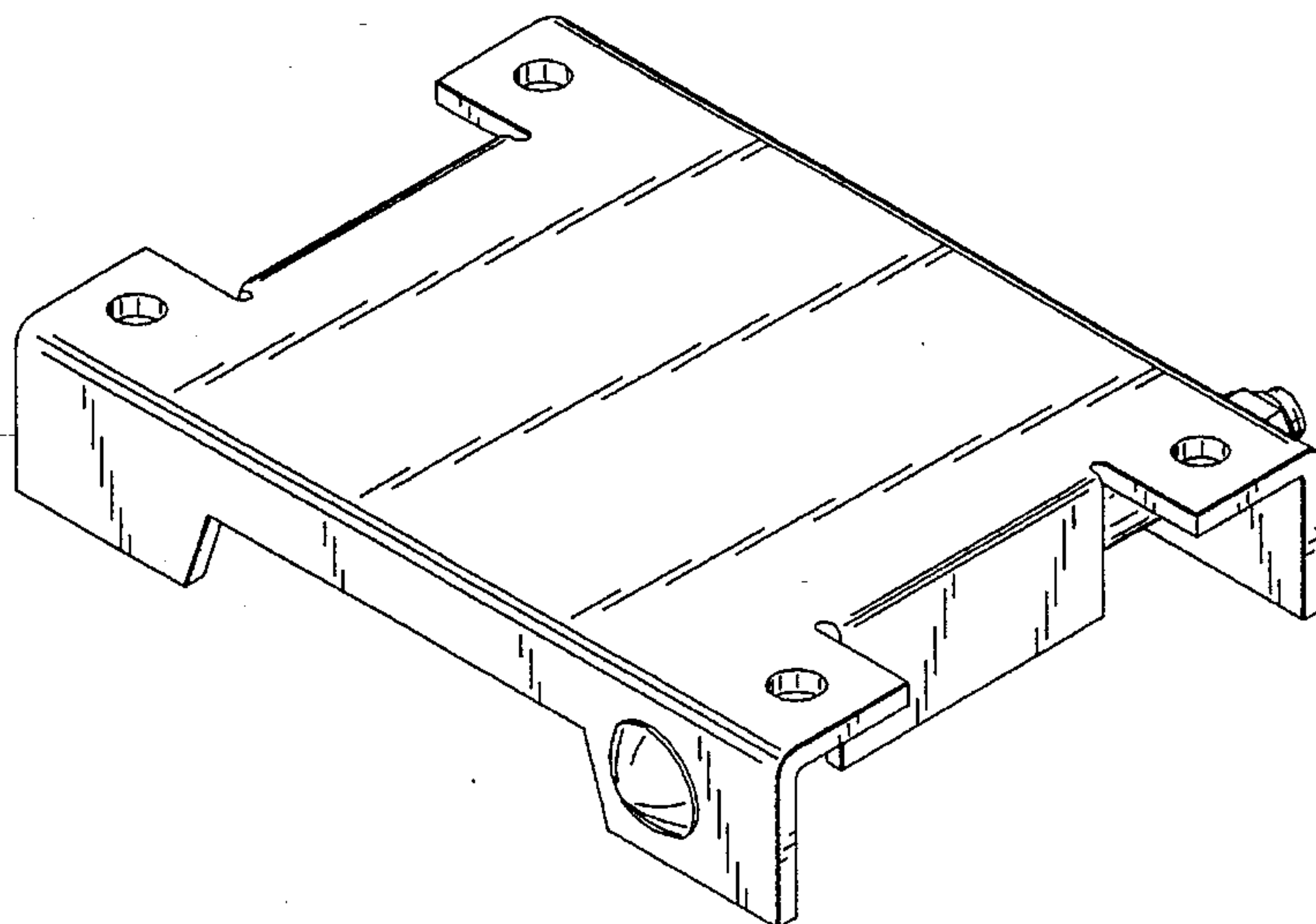
FIG. 1 is a top perspective view of the caster pad of the present invention showing our new design;
FIG. 2 is a bottom rear perspective view thereof; and,
FIG. 3 is a bottom front perspective view thereof.

[56] References Cited

U.S. PATENT DOCUMENTS

D. 200,772 4/1965 Dahms D11/216

1 Claim, 1 Drawing Sheet



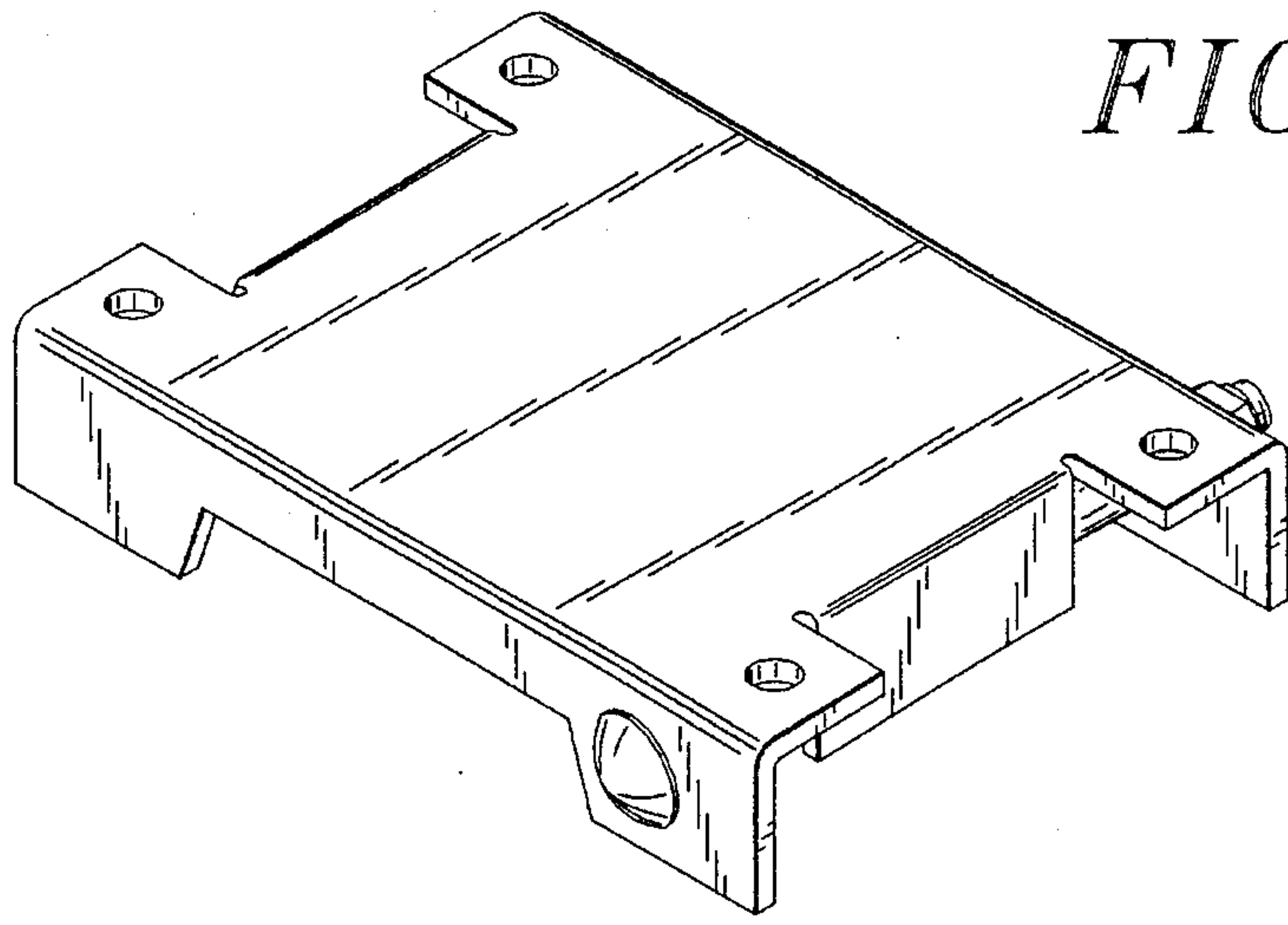


FIG. 1

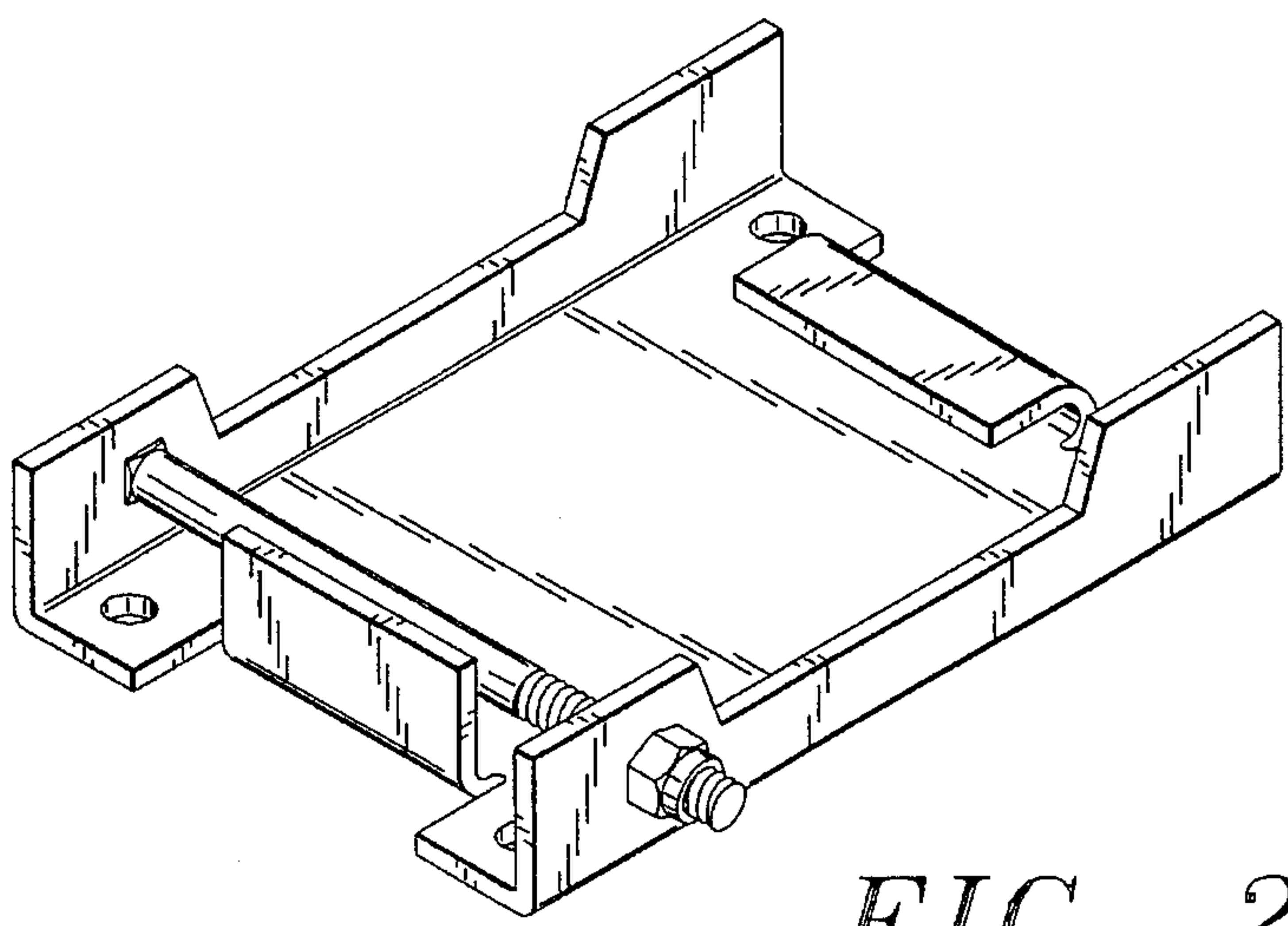


FIG. 2

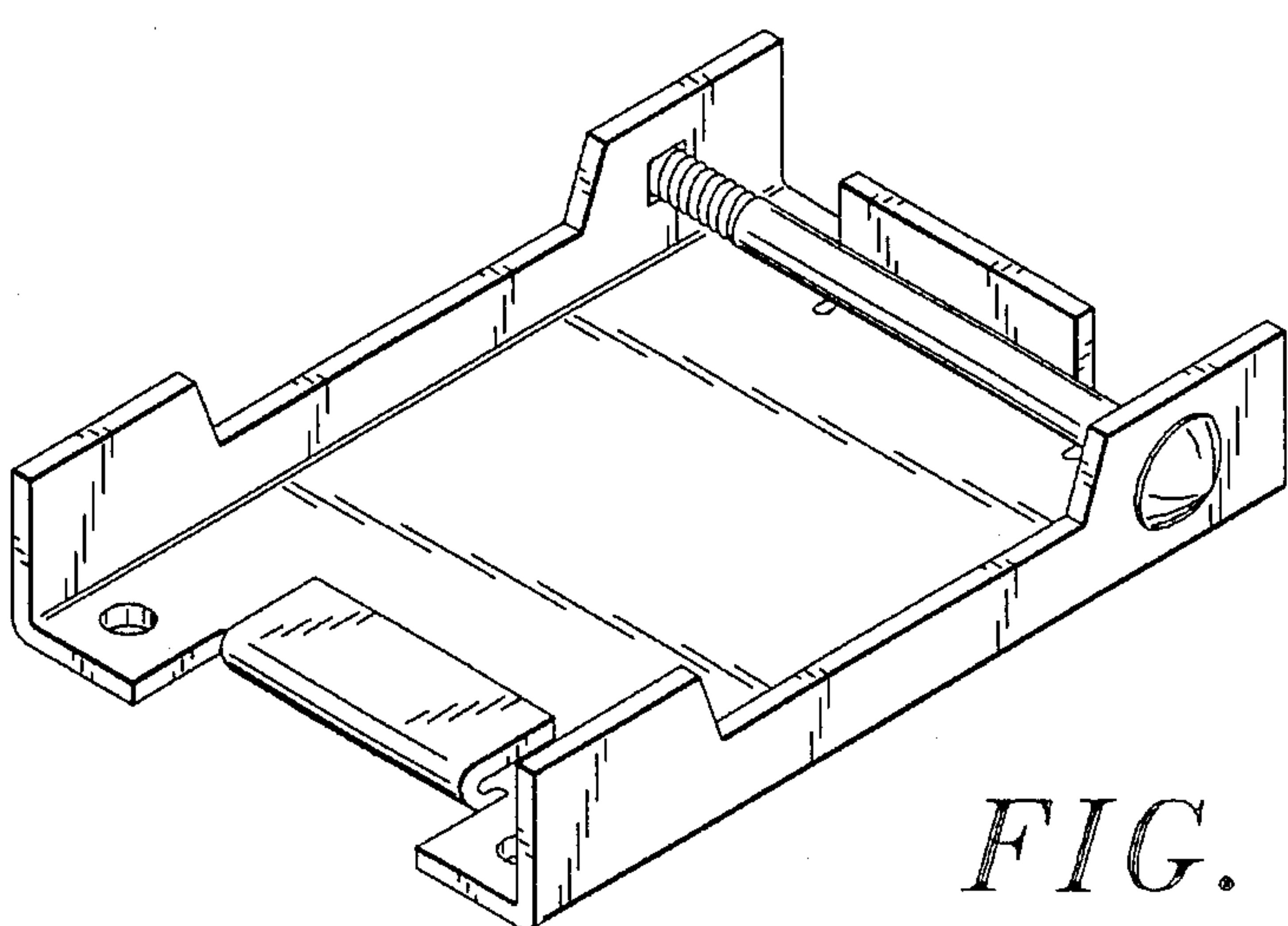


FIG. 3