



US00D364083S

United States Patent [19]

[11] Patent Number: **Des. 364,083**

Werner

[45] Date of Patent: ****Nov. 14, 1995**

[54] **COMBINATION SURFACE BOLT**

3,555,860	1/1971	Atkinson .
4,389,863	6/1983	Bako .
4,487,043	12/1984	Milles .
4,646,547	3/1987	Scelba et al. .

[75] Inventor: **Theodore J. Werner**, Dix Hills, N.Y.

[73] Assignee: **United States Marketing Corporation (Delaware)**, Huntington Station, N.Y.

Primary Examiner—Brian N. Vinson
Attorney, Agent, or Firm—Charles E. Baxley

[**] Term: **14 Years**

[57] CLAIM

[21] Appl. No.: **29,729**

The ornamental design for a combination surface bolt, as shown and described.

[22] Filed: **Oct. 14, 1994**

[52] U.S. Cl. **D8/331**

DESCRIPTION

[58] Field of Search D8/330-331, 335,
D8/341; 70/113-124

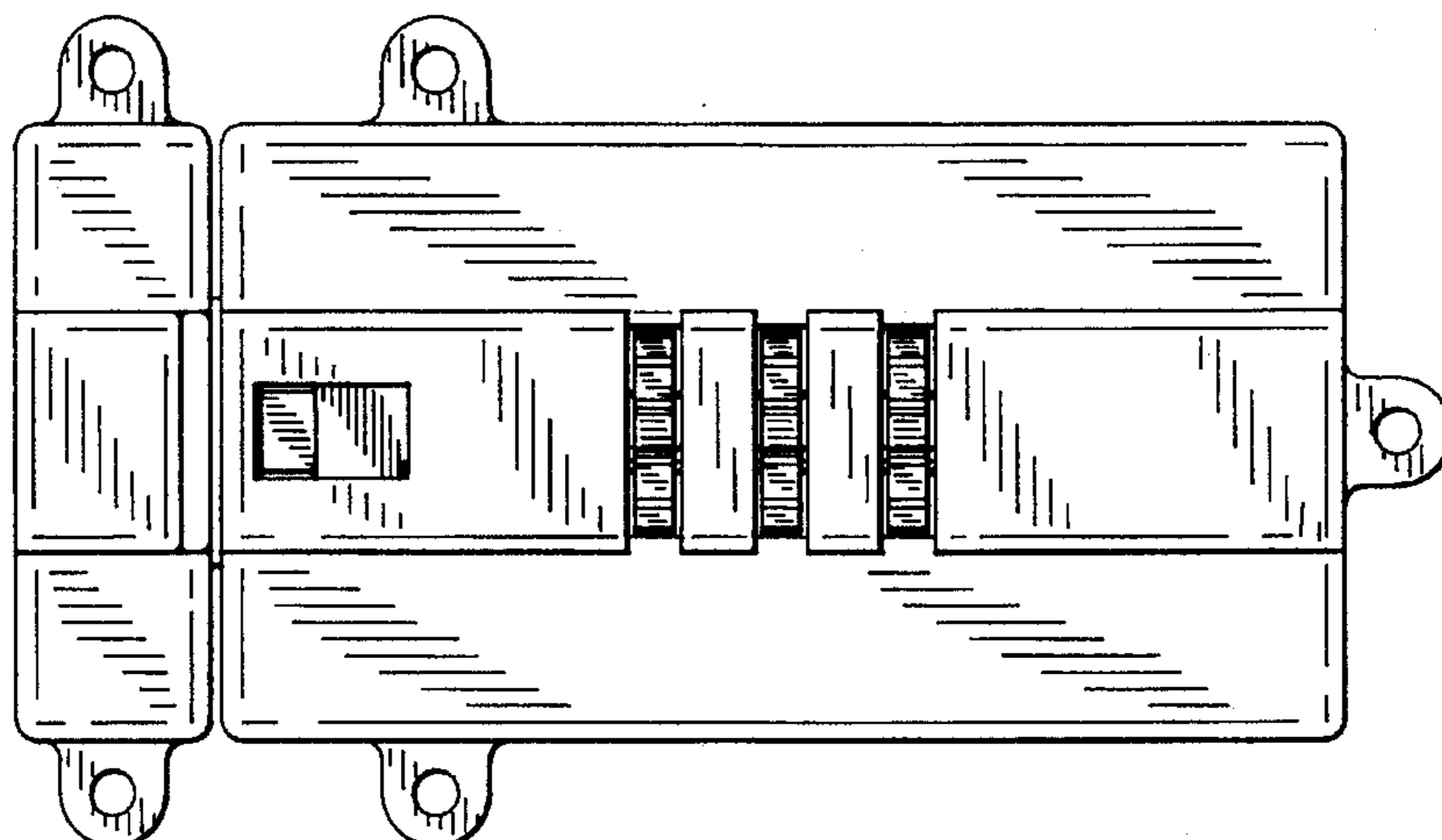
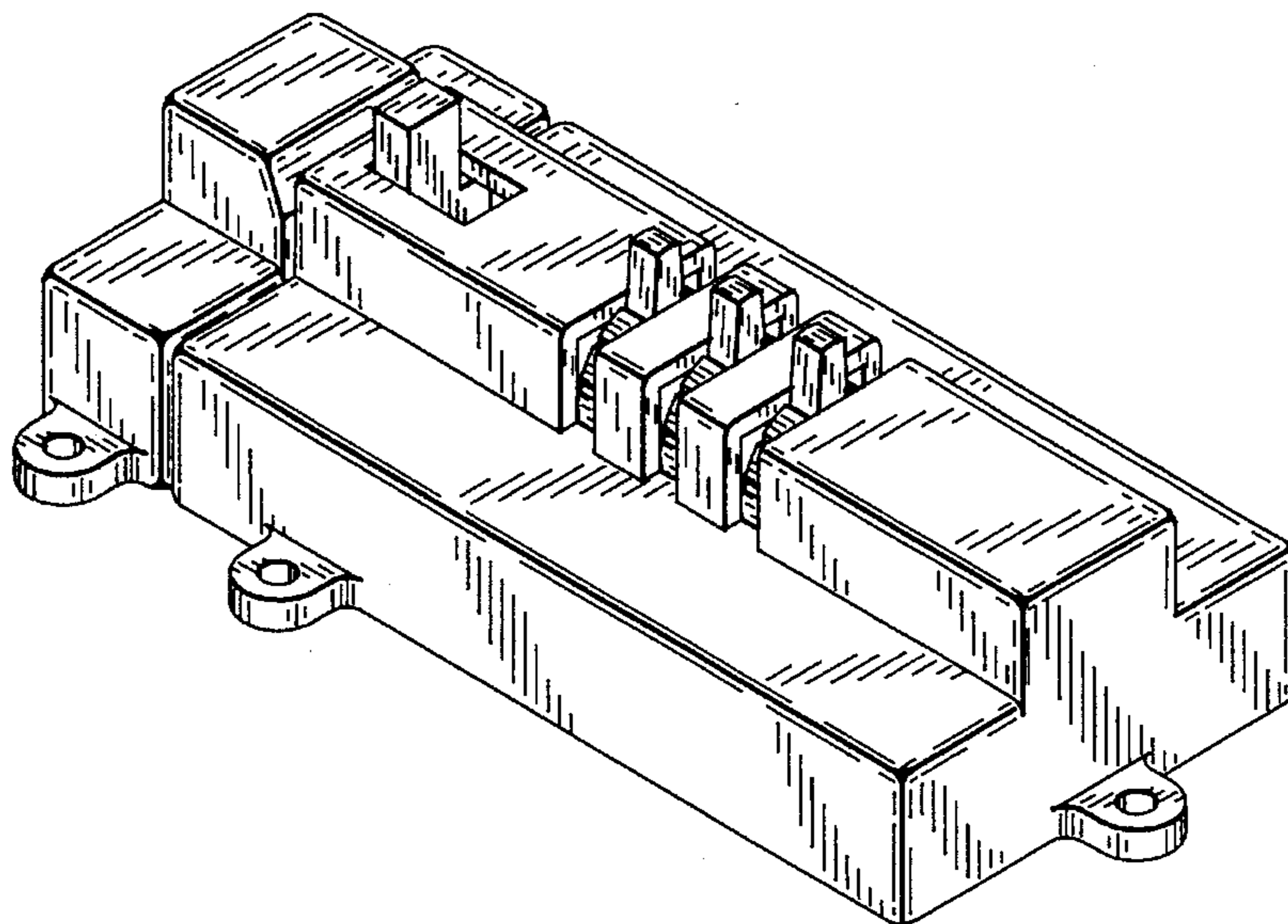
FIG. 1 is a perspective view showing a combination surface bolt according to my new design;
FIG. 2 is a front elevational view thereof;
FIG. 3 is a top plan view thereof;
FIG. 4 is a bottom plan view thereof;
FIG. 5 is a left end elevational view thereof; and,
FIG. 6 is a right end elevational view thereof.

[56] References Cited

U.S. PATENT DOCUMENTS

D. 285,771	9/1986	Gehrie	D8/331
1,136,357	4/1915	Newman .	
1,325,641	12/1919	Kish .	
1,923,443	8/1933	Knieszner	70/117

1 Claim, 3 Drawing Sheets



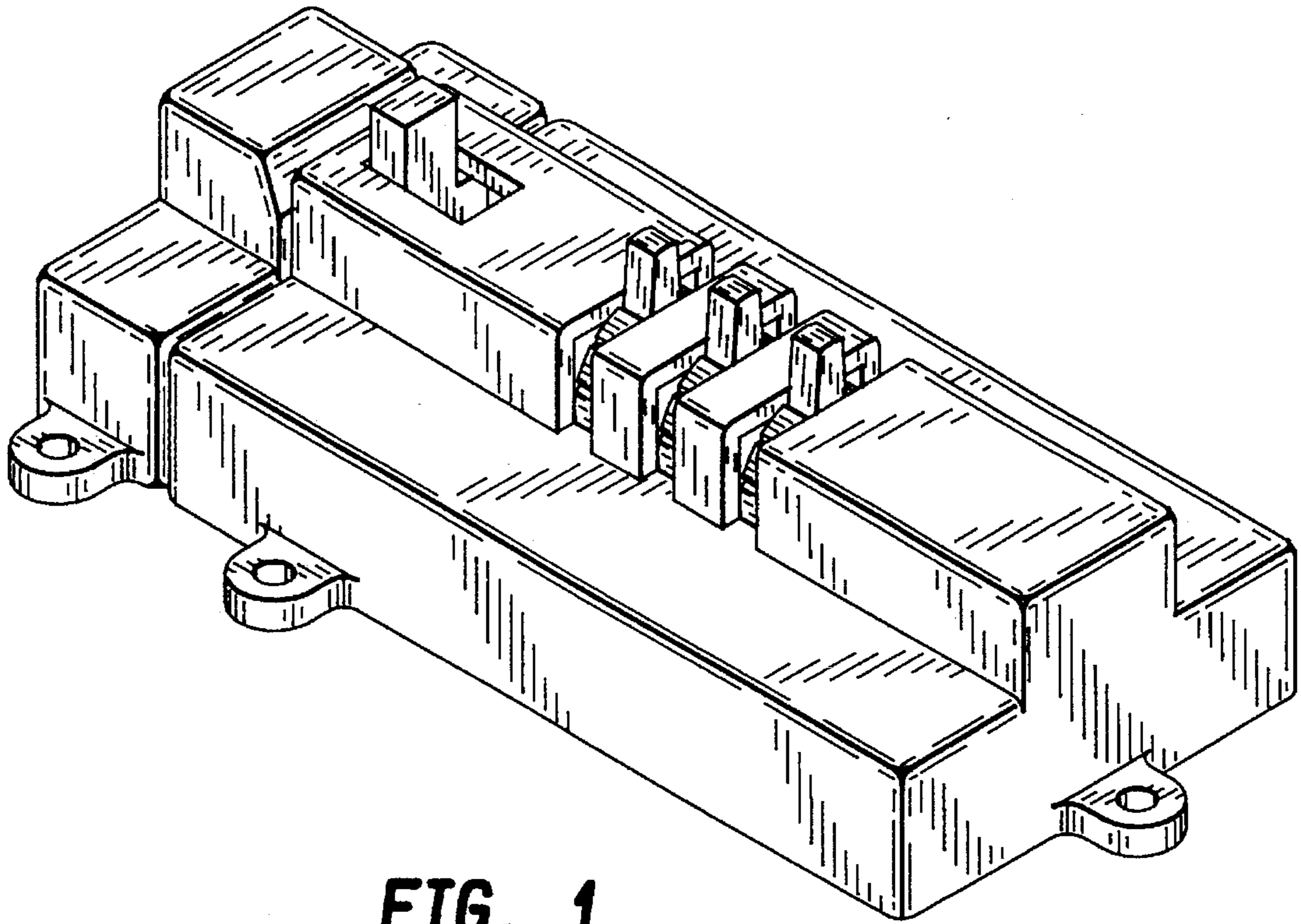


FIG. 1

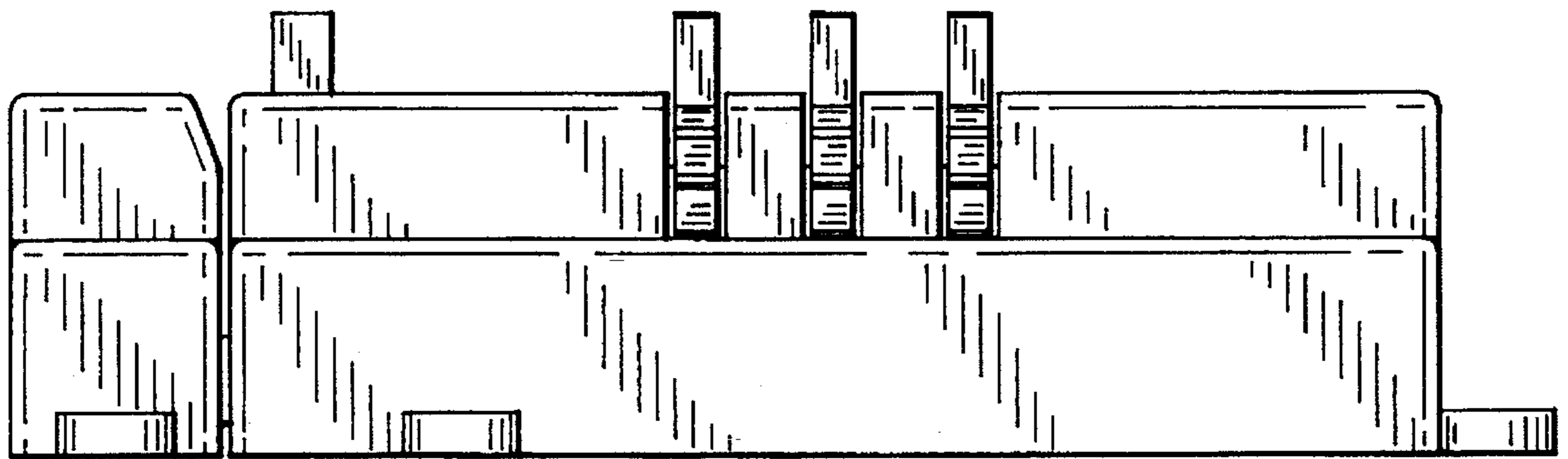


FIG. 2

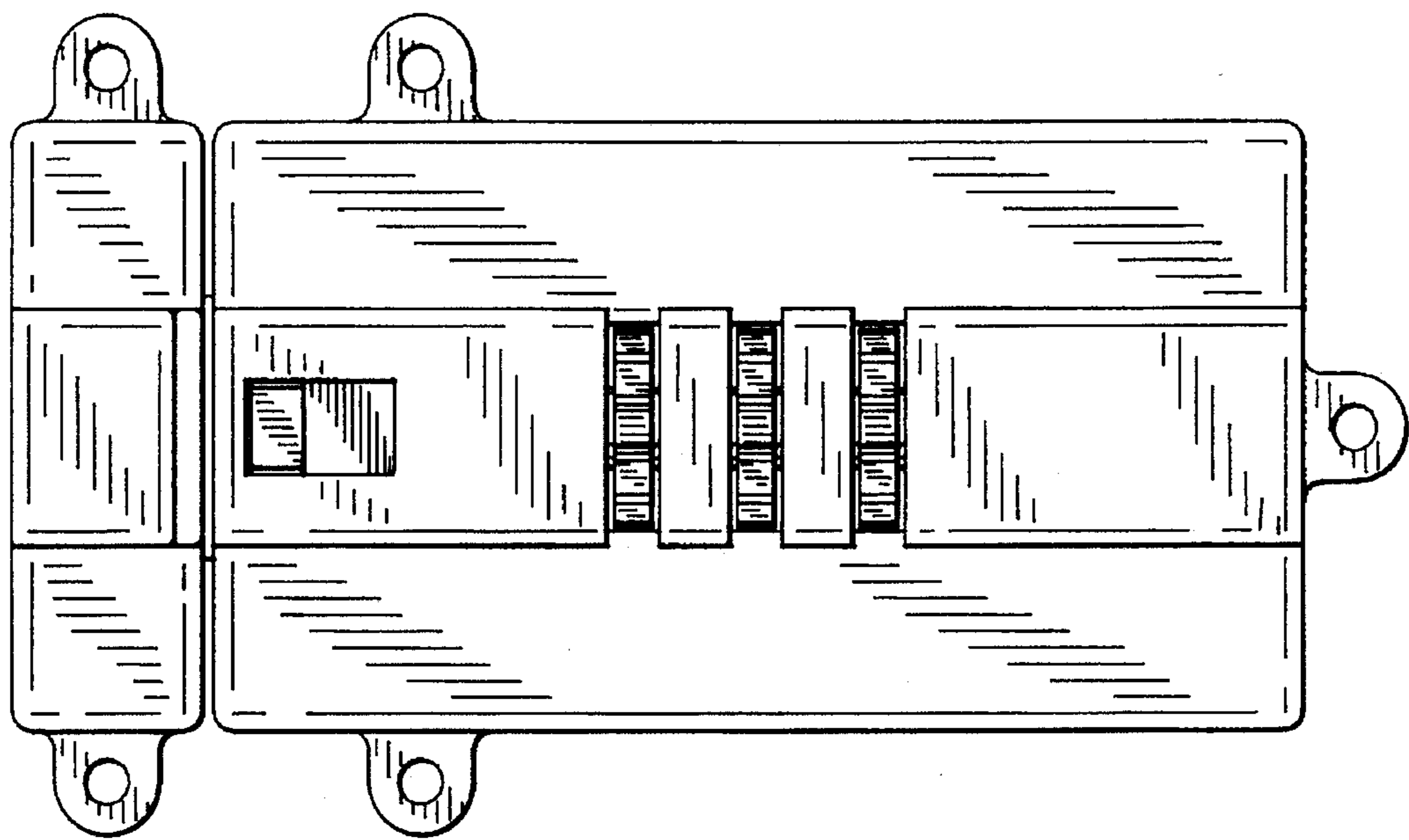


FIG. 3

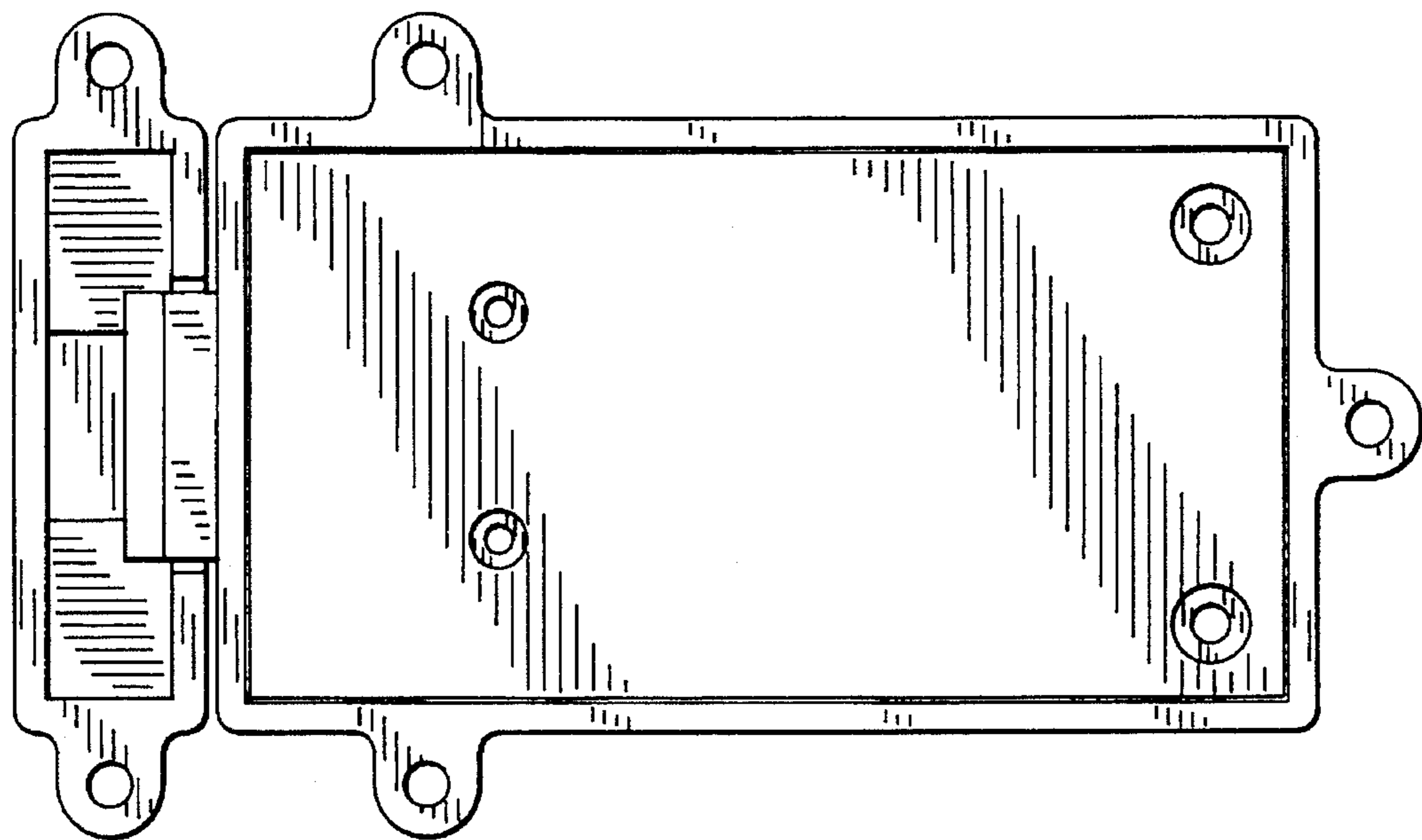


FIG. 4

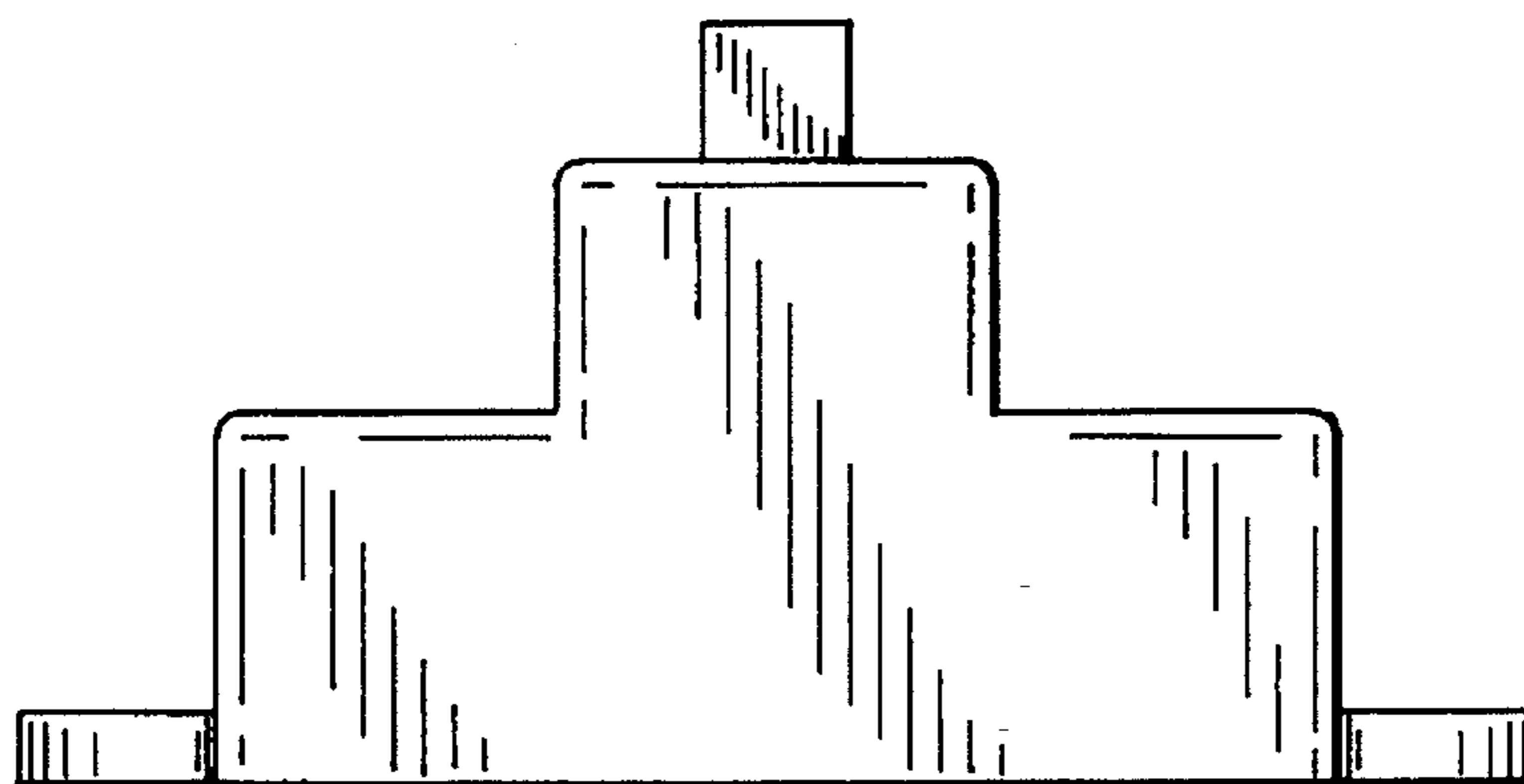


FIG. 5

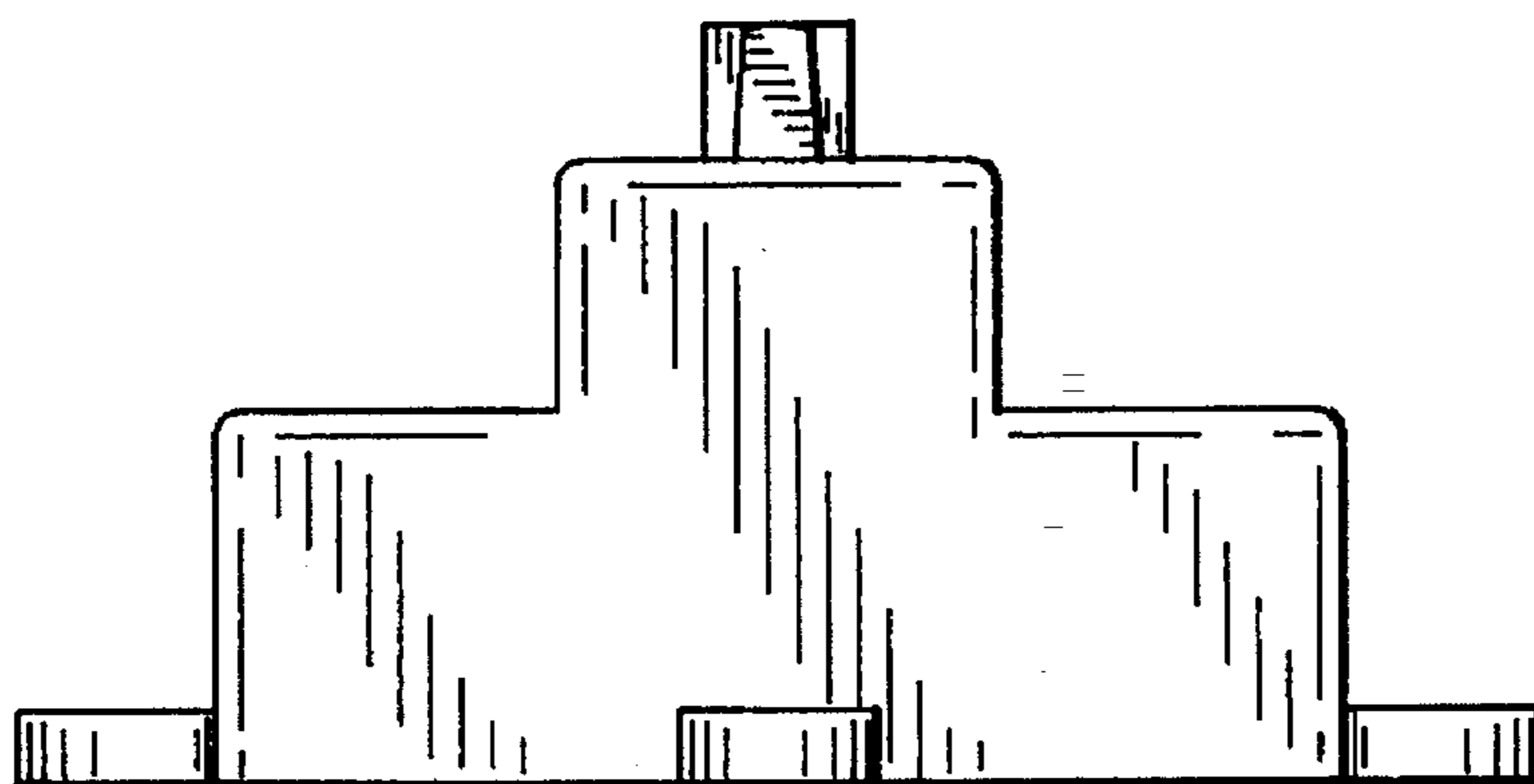


FIG. 6