



US00D364082S

United States Patent [19]

[11] Patent Number: **Des. 364,082**

Weinerman et al.

[45] Date of Patent: ****Nov. 14, 1995**

[54] **HANDLE OPERATED DRAW LATCH ASSEMBLY WITH LOCKABLE SAFETY CATCH**

[75] Inventors: **Lee S. Weinerman**, Medina; **Arthur J. Kuminski**, Parma, both of Ohio

[73] Assignee: **The Eastern Company**, Cleveland, Ohio

[**] Term: **14 Years**

[21] Appl. No.: **26,147**

[22] Filed: **Jul. 20, 1994**

Related U.S. Application Data

[63] Continuation-in-part of Ser. No. 65,283, May 21, 1993, abandoned, and a continuation-in-part of Ser. No. 8,629, May 21, 1993, abandoned.

[52] **U.S. Cl.** **D8/331**

[58] **Field of Search** D8/330-331, 336, D8/338-339, 341-342; 292/109-110, 113, 121-122, 194, 217, 226, DIG. 12, DIG. 30

[56] References Cited

U.S. PATENT DOCUMENTS

D. 257,218	10/1980	Eriksson	D8/336
D. 333,775	3/1993	Krape	D8/331
D. 343,782	2/1994	Gromotka et al.	D8/331
1,734,282	11/1929	White	292/250
3,519,298	7/1970	Gley et al.	292/113
3,936,082	2/1976	Swanson	292/113
4,116,479	9/1978	Poe	292/113
4,234,255	1/1981	Hornak	292/113
4,307,906	12/1981	Schenk	292/247
4,326,739	4/1982	Schlueter	292/247
4,493,133	1/1985	Nilsson	24/68
4,530,529	7/1985	Poe et al.	292/113
4,531,769	7/1985	Glancy	292/113
4,540,206	9/1985	Frame et al.	292/66
4,588,216	5/1986	Hinds	292/113
4,890,869	1/1990	Langkamp, Jr.	292/113
5,257,839	11/1993	Nielsen	292/113
5,287,602	2/1994	Dykstra	24/463

OTHER PUBLICATIONS

Nielsen Hardware Corp. Catalog (1986) p. 30 Entitled "Adjustable Catch".

De-Sta-Co Advertising Sheet, Series MASO "Pull Action Clamps."

De-Sta-Co Company, Troy, Mich. 48007 (Date Unknown, but is prior to May of 1992).

De-Sta-Co Catalog "The World of Clamping," pp. 23-28, 42-44 & 49-51.

De-Sta-Co Company, Troy, Mich. 48007 (Believed to have been published Mar., 1993).

Primary Examiner—Brian N. Vinson

Attorney, Agent, or Firm—David A. Burge

[57] CLAIM

The ornamental design for a handle operated draw latch assembly with lockable safety catch, as shown and described.

DESCRIPTION

FIG. 1 is a top, front, and left side perspective view of a handle operated draw latch assembly with lockable safety catch showing our new design;

FIG. 2 is a front elevational view thereof;

FIG. 3 is a rear elevational view thereof;

FIG. 4 is a top plan view thereof;

FIG. 5 is a bottom plan view thereof;

FIG. 6 is a left side elevational view thereof;

FIG. 7 is a right side elevational view thereof;

FIG. 8 is a front elevational view thereof, showing the latch pivoted to an operable position;

FIG. 9 is a front elevational view thereof, shown in a latched position;

FIG. 10 is a top plan view thereof, shown in a latched position;

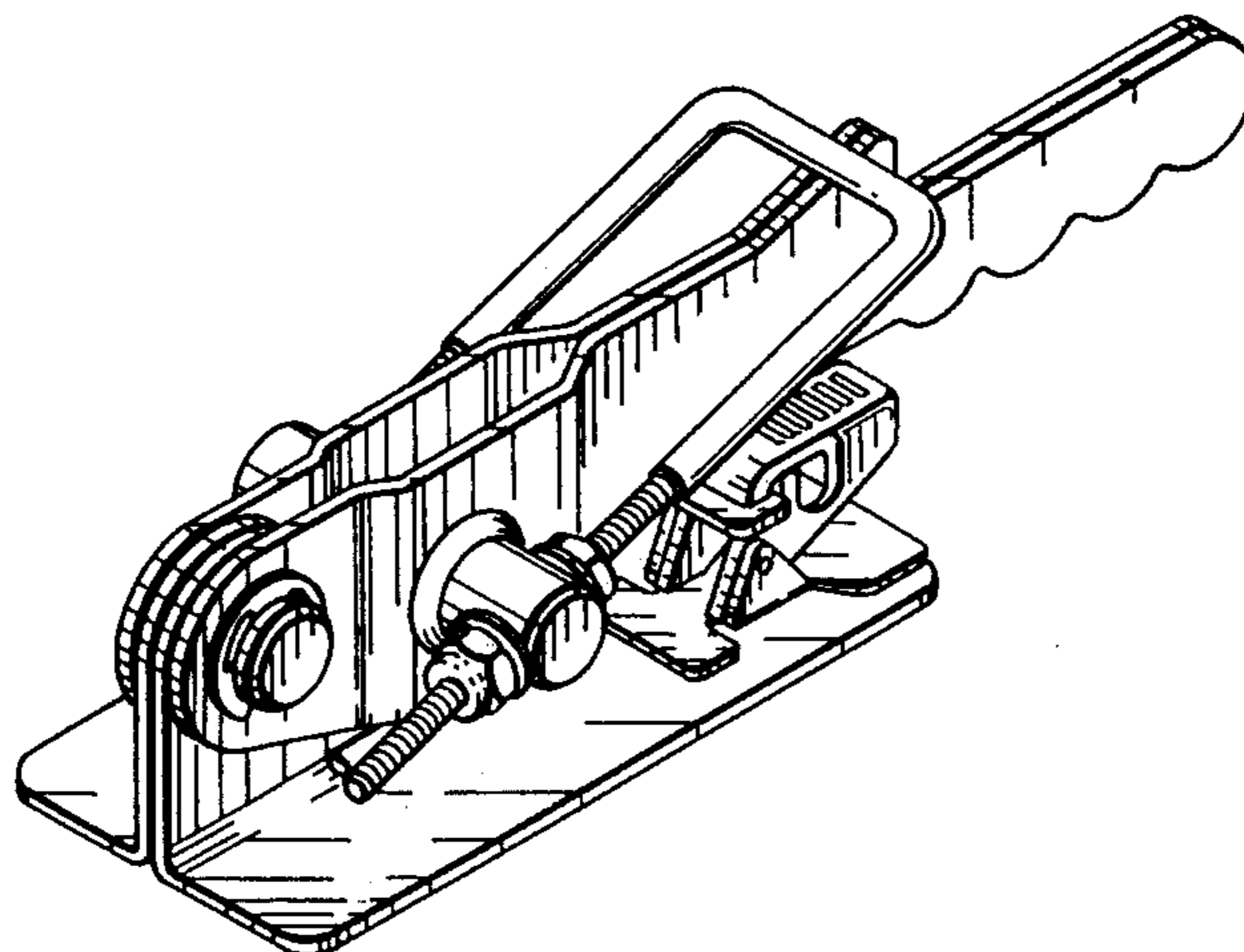
FIG. 11 is a top, front, and left side perspective view of a handle operated draw latch assembly with lockable safety catch showing an alternate embodiment of our new design;

FIG. 12 is a front elevational view thereof, the rear being a mirror image of that shown; and,

FIG. 13 is a top plan view thereof.

The broken-line disclosure of a post element in the views is for illustrative purposes only and forms no part of the claimed design.

1 Claim, 4 Drawing Sheets



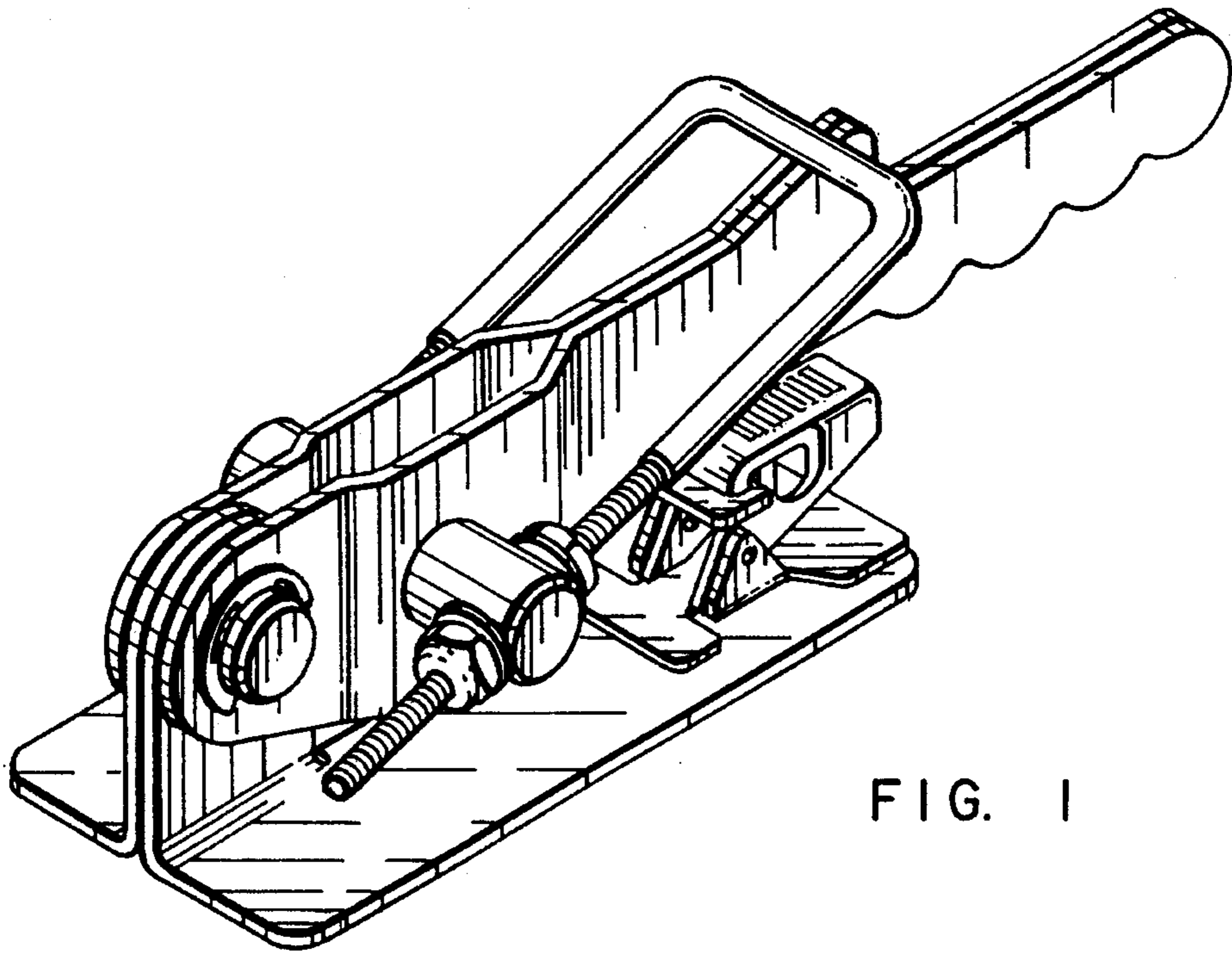


FIG. 1

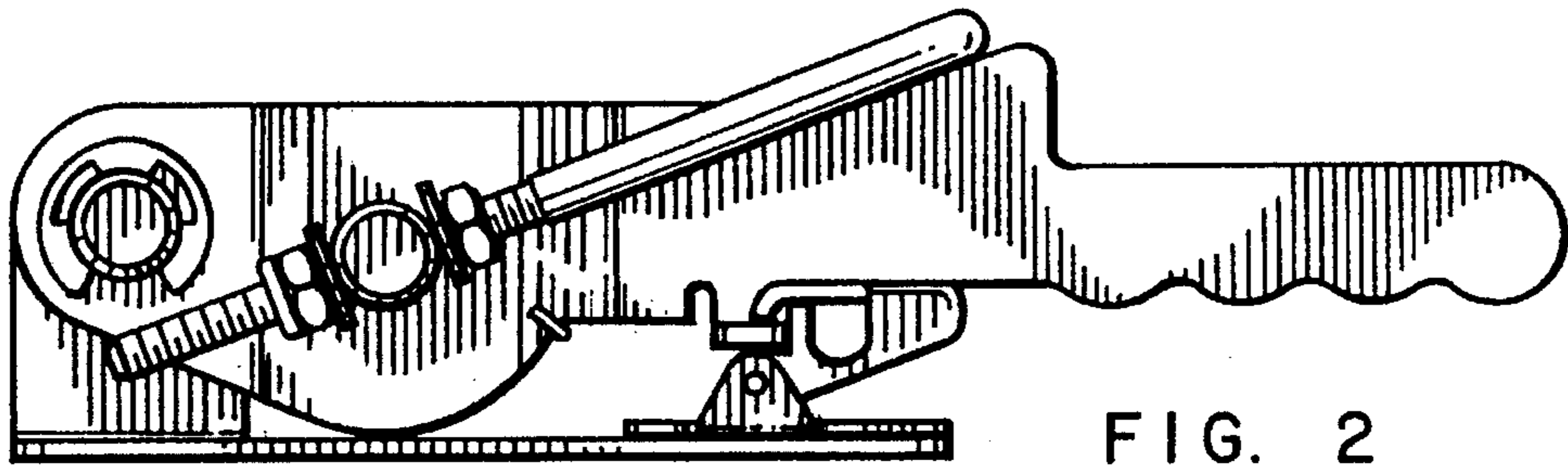


FIG. 2

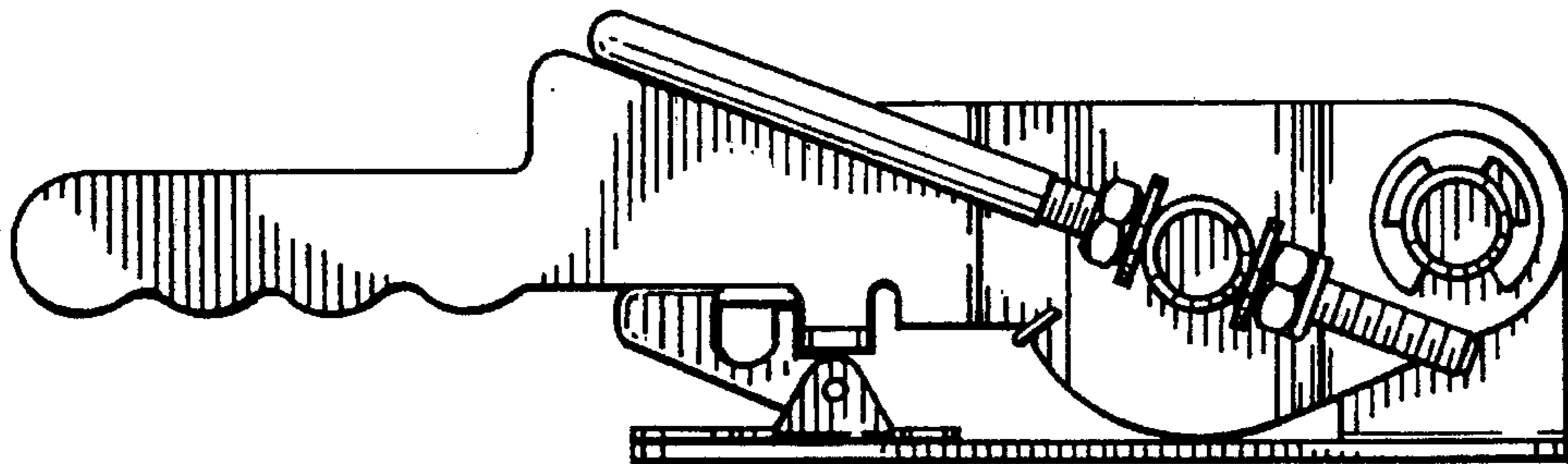


FIG. 3

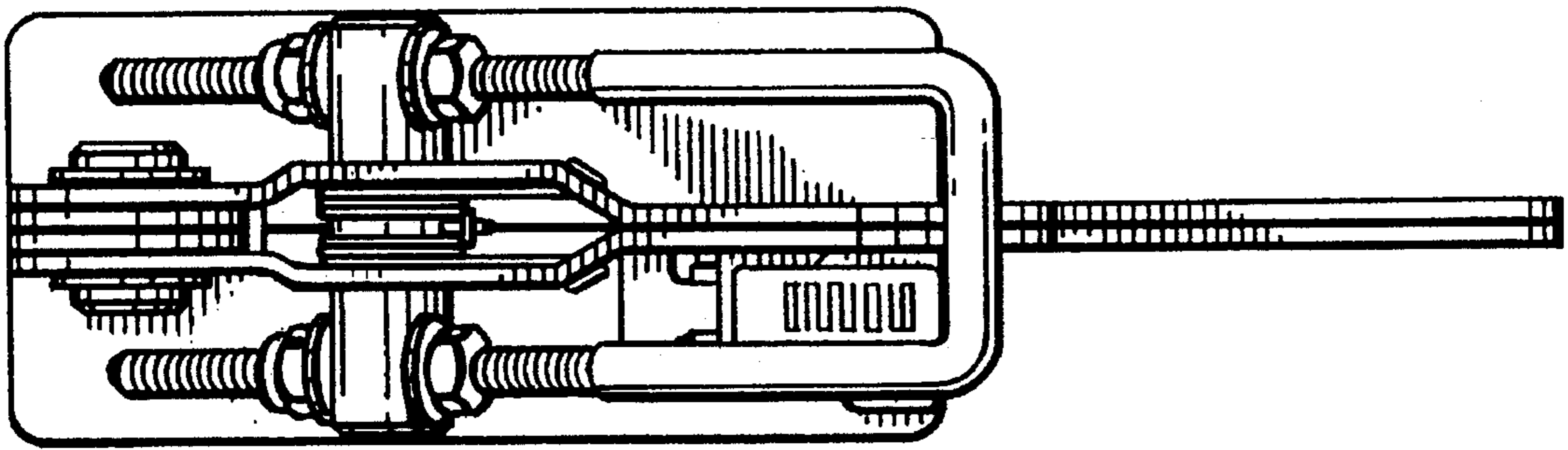


FIG. 4

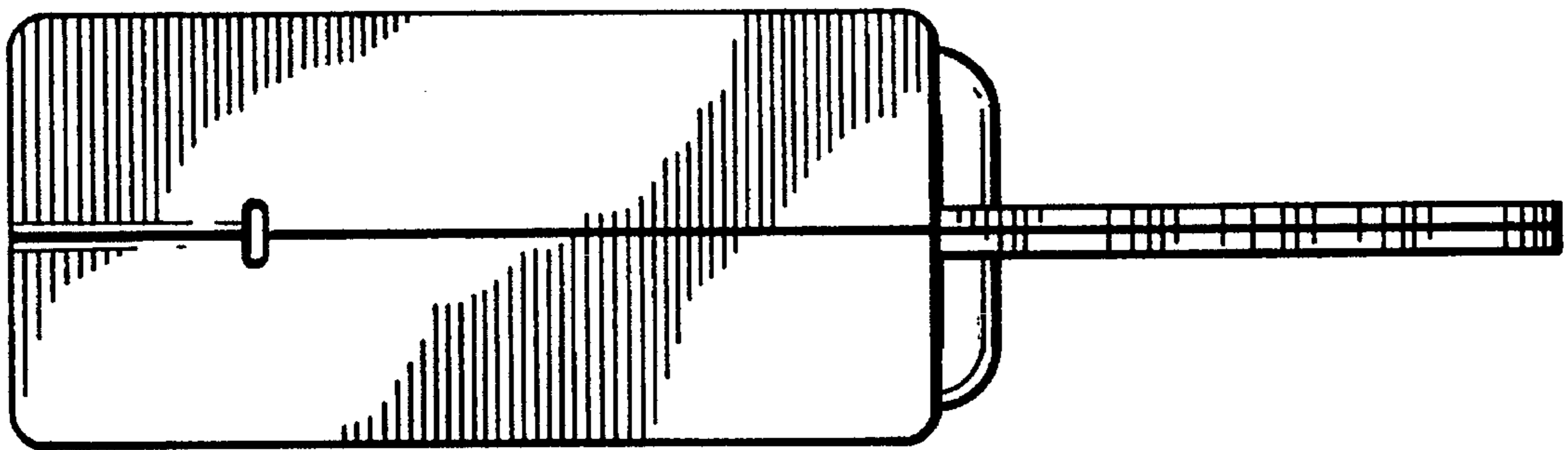


FIG. 5

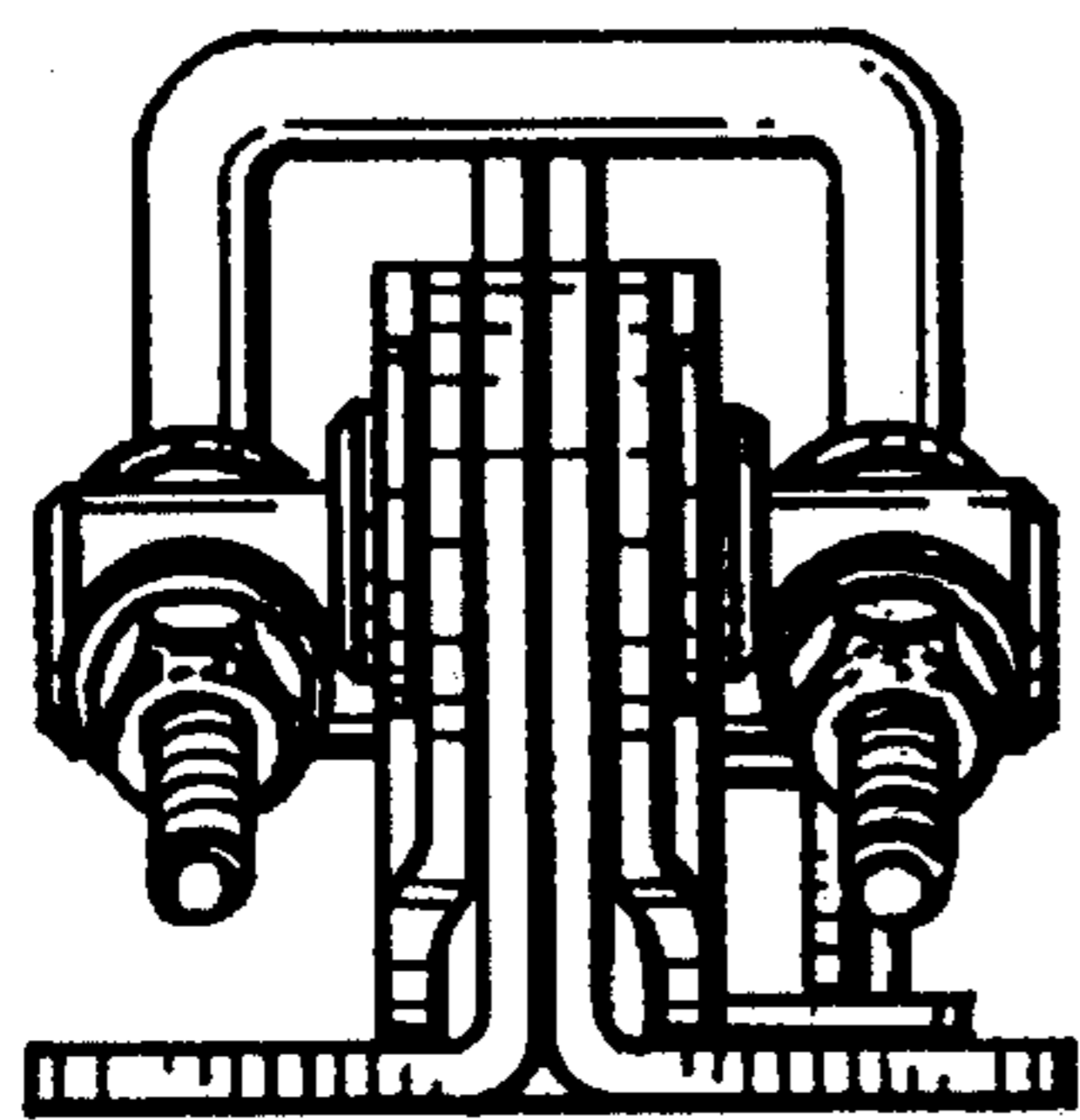


FIG. 6

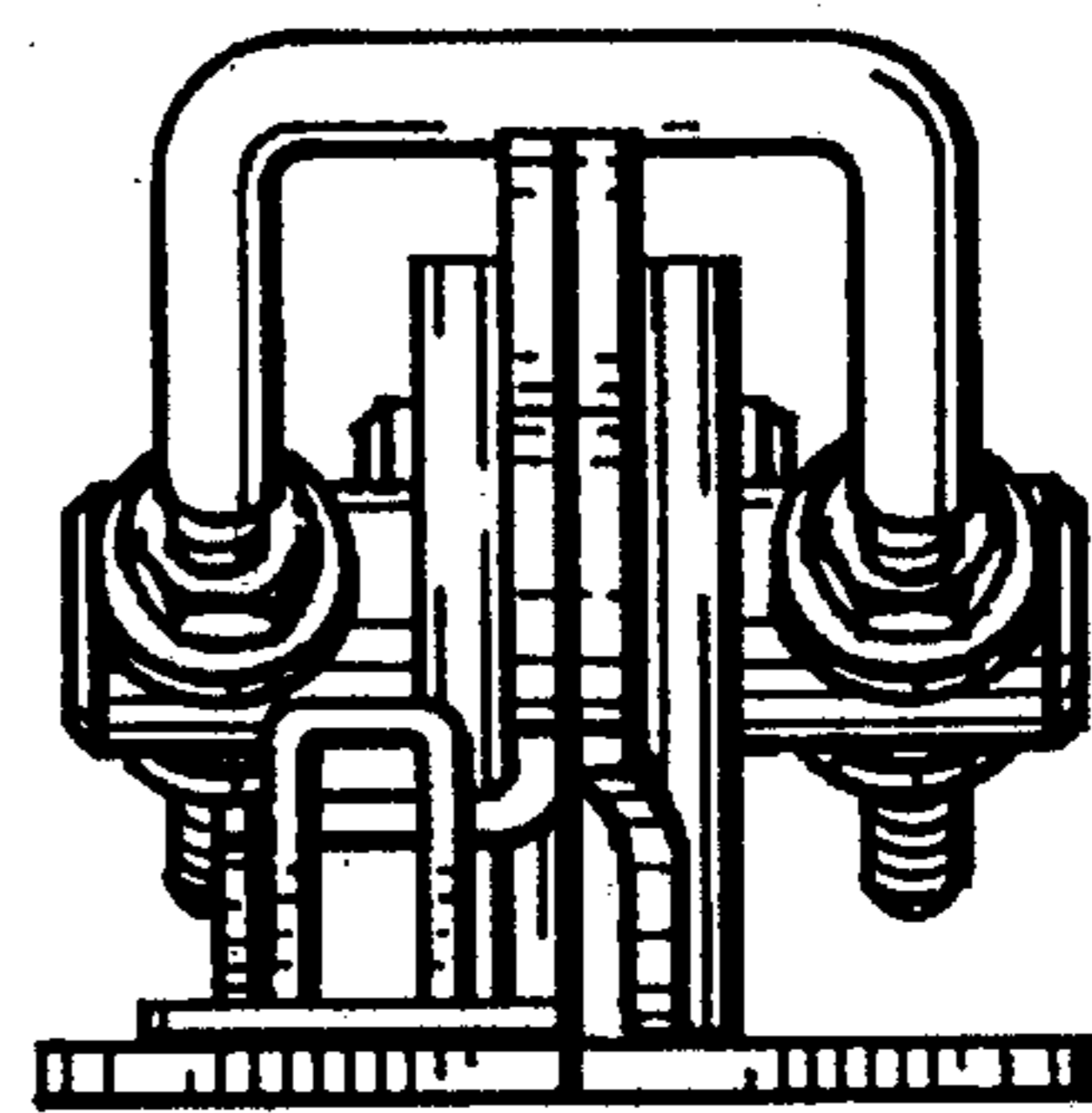


FIG. 7

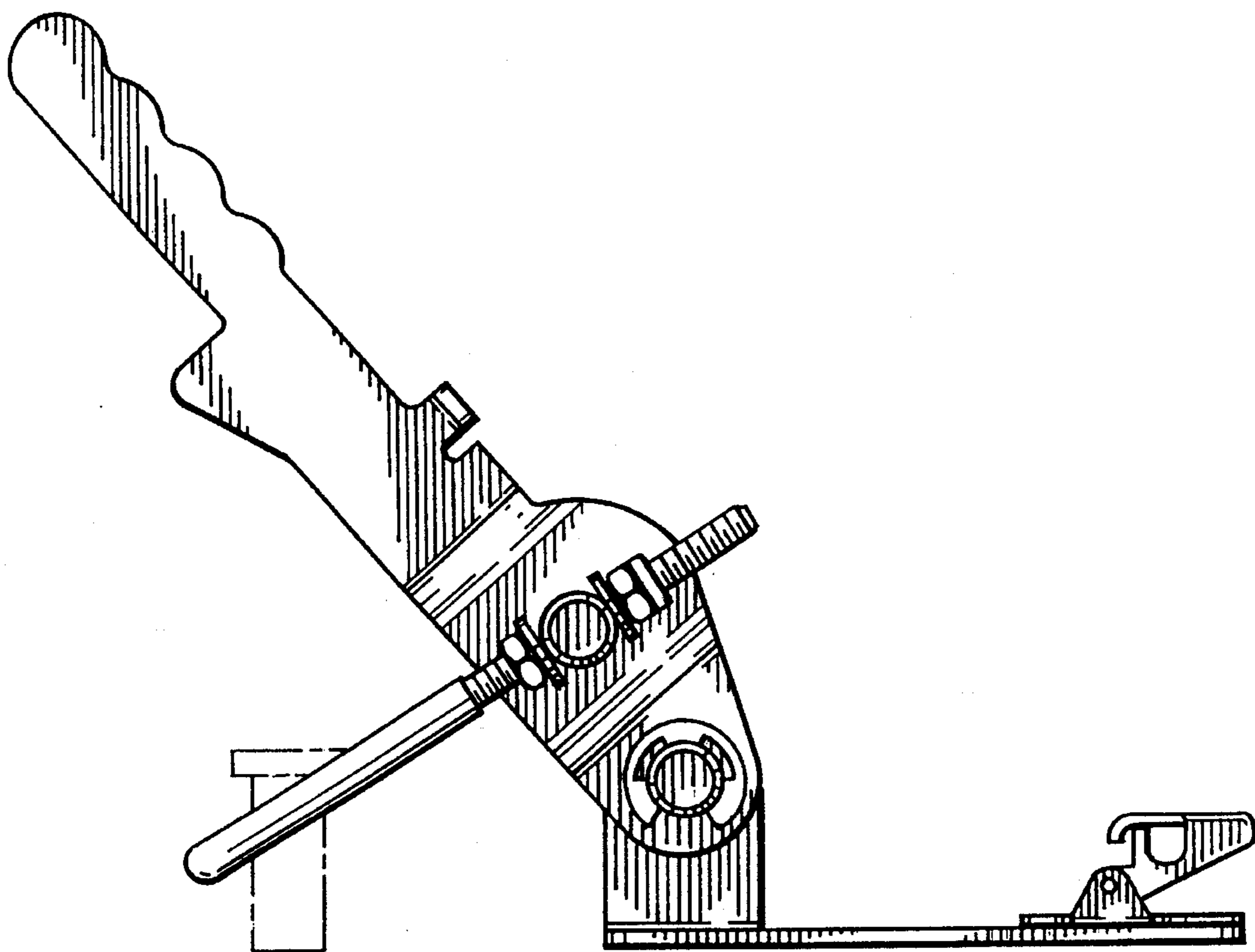


FIG. 8

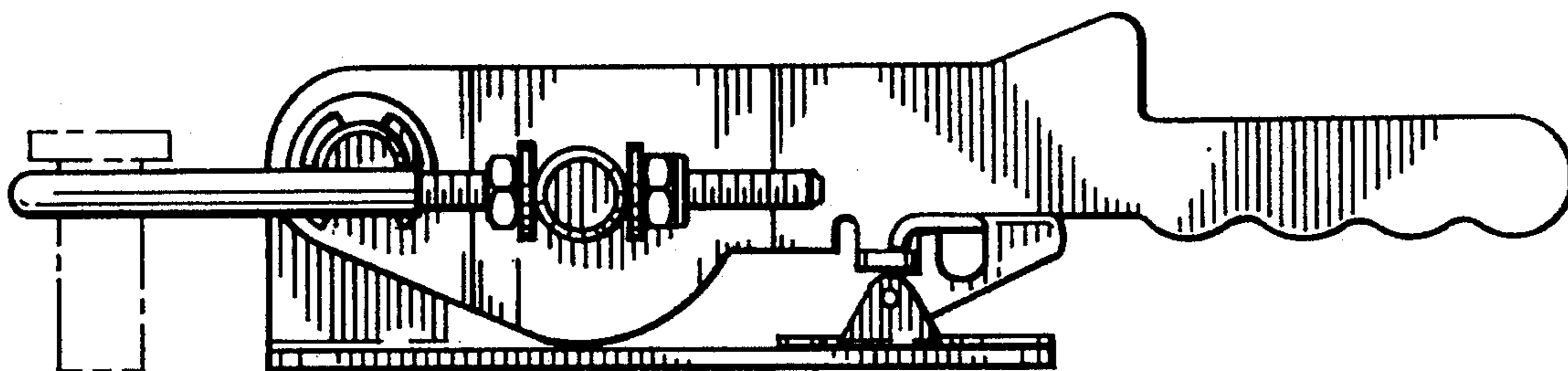


FIG. 9

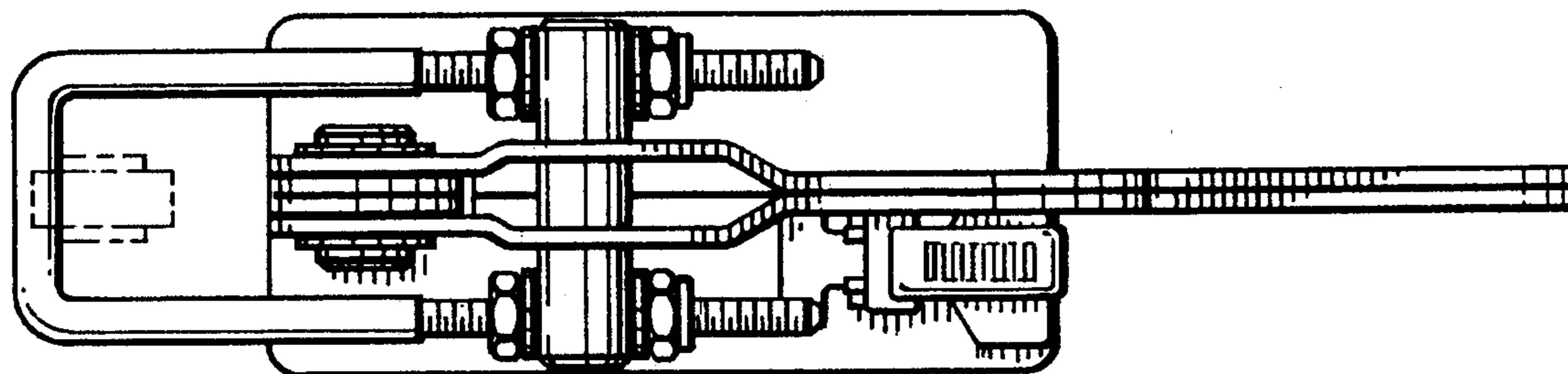


FIG. 10

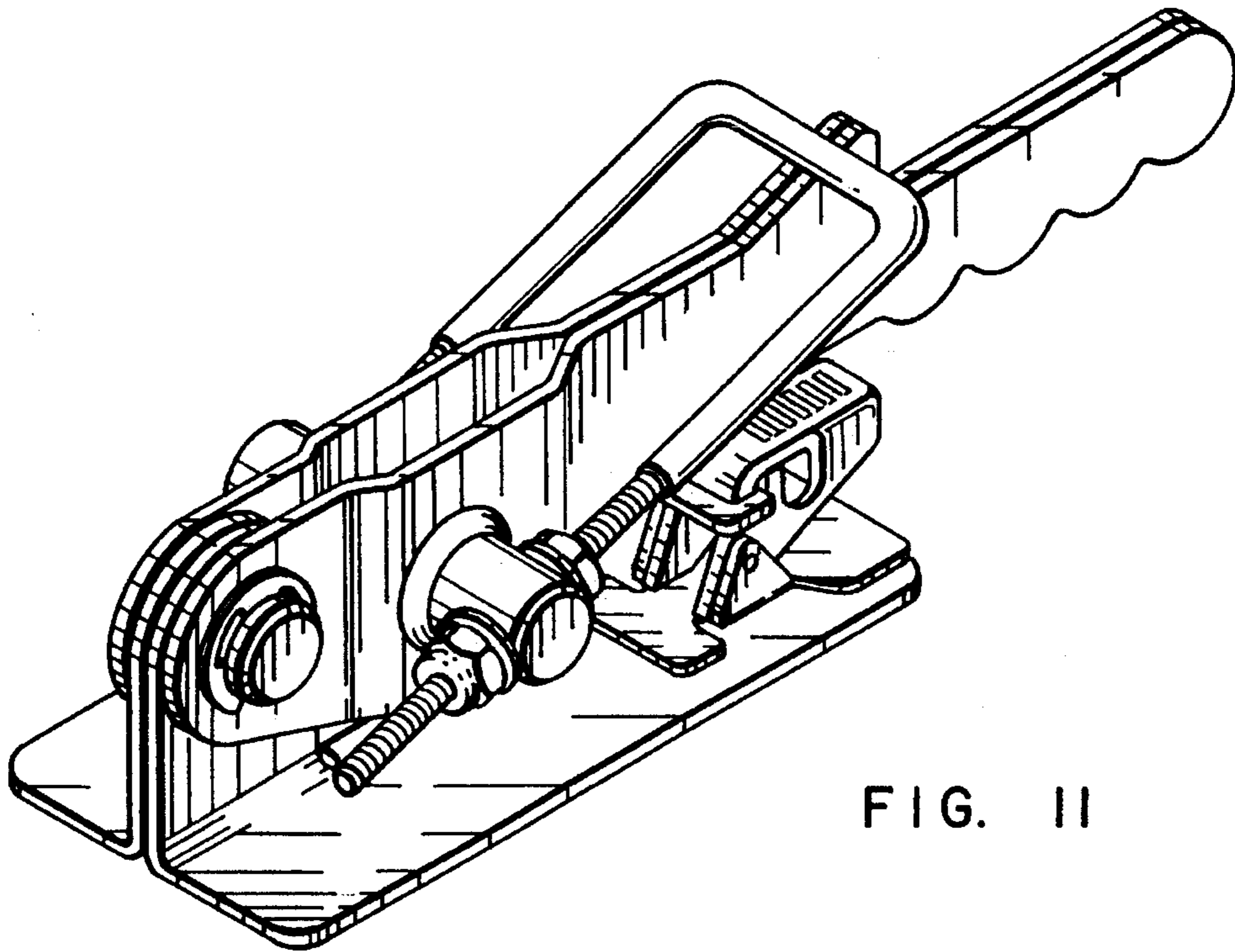


FIG. 11

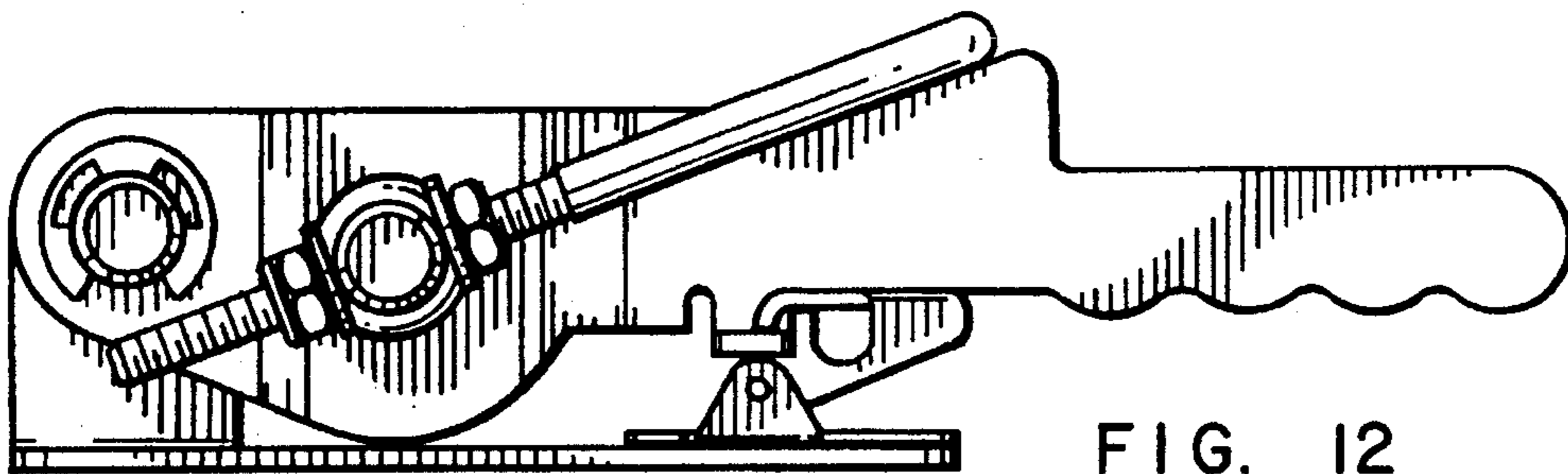


FIG. 12

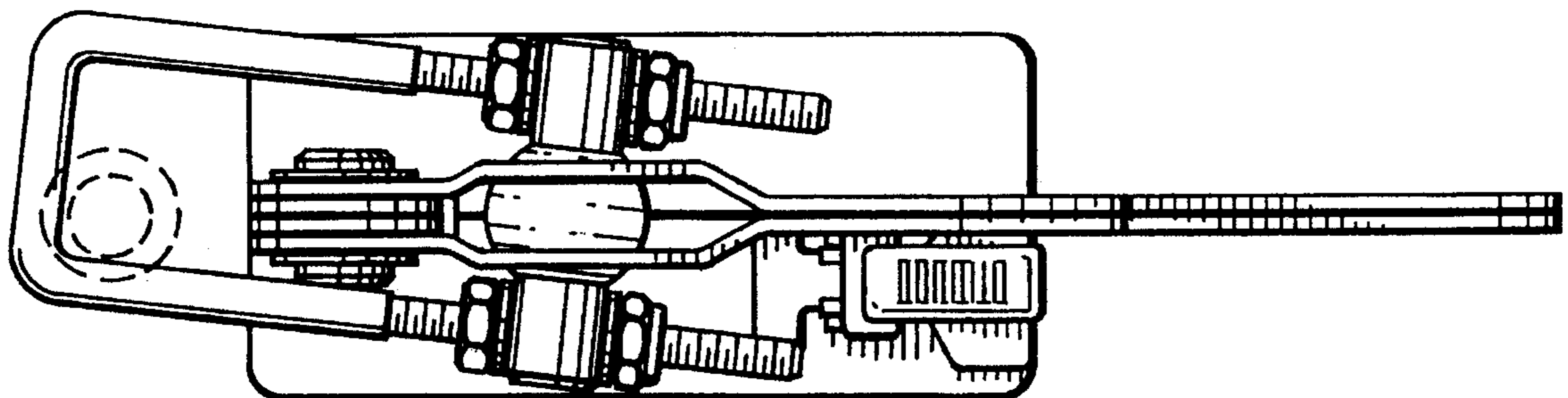


FIG. 13