



US00D364081S

United States Patent [19]

Yates et al.

[11] Patent Number: **Des. 364,081**

[45] Date of Patent: ****Nov. 14, 1995**

[54] **DOOR CLOSER UNIT**

3,877,108 4/1975 Del Fiaccio 16/49

[75] Inventors: **David P. Yates**, Sutton Coldfield;
Michael D. Knight, Birmingham, both
of England

[73] Assignee: **NT Door Controls Ltd.**, Birmingham,
England

[**] Term: **14 Years**

[21] Appl. No.: **26,822**

[22] Filed: **Aug. 4, 1994**

[30] Foreign Application Priority Data

Feb. 28, 1994 [GB] United Kingdom 2037399

[52] U.S. Cl. **D8/330**

[58] Field of Search D8/330; 16/49,
16/51, 66, 71

[56] References Cited

U.S. PATENT DOCUMENTS

D. 281,762 12/1985 Okazaki D8/330

OTHER PUBLICATIONS

Sargent Door Closers Catalogue 25/1250 series (1983) p. 10,
track type application.

Primary Examiner—Brian N. Vinson
Attorney, Agent, or Firm—Staas & Halsey

[57] CLAIM

The ornamental design for a door closer unit, as shown and
described.

DESCRIPTION

FIG. 1 is a top, front, and left side perspective view of a door
closer unit showing our new design;
FIG. 2 is a left side elevational view thereof, the right side
being a mirror image of that shown;
FIG. 3 is a front and left side perspective view thereof;
FIG. 4 is a horizontal cross-sectional view thereof, taken
along line 4—4 of FIG. 2;
FIG. 5 is a top plan view thereof; and,
FIG. 6 is a front elevational view thereof.

1 Claim, 3 Drawing Sheets

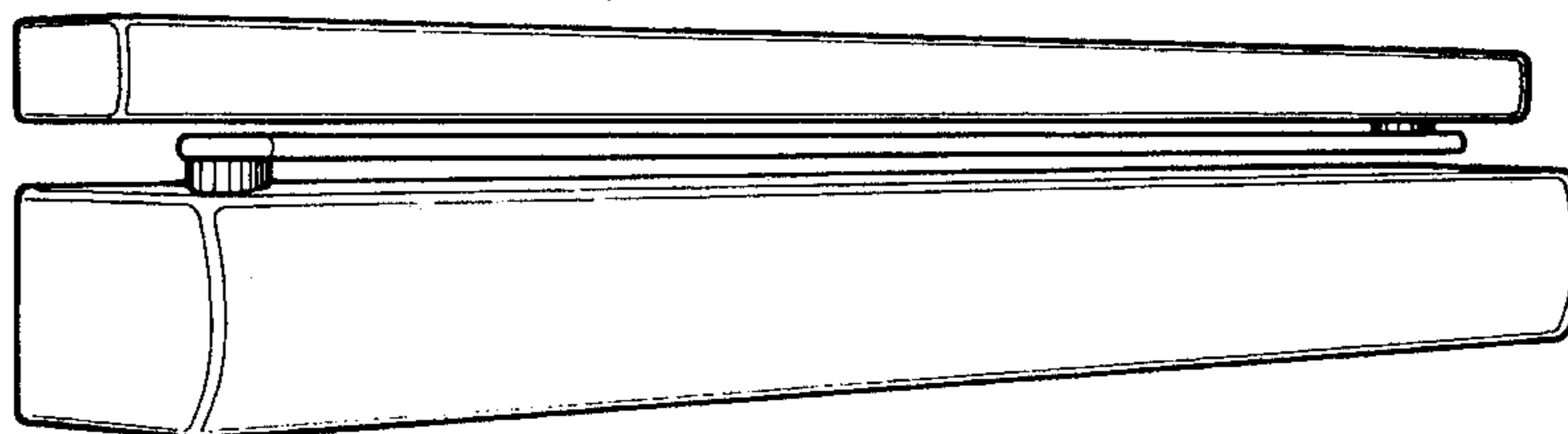
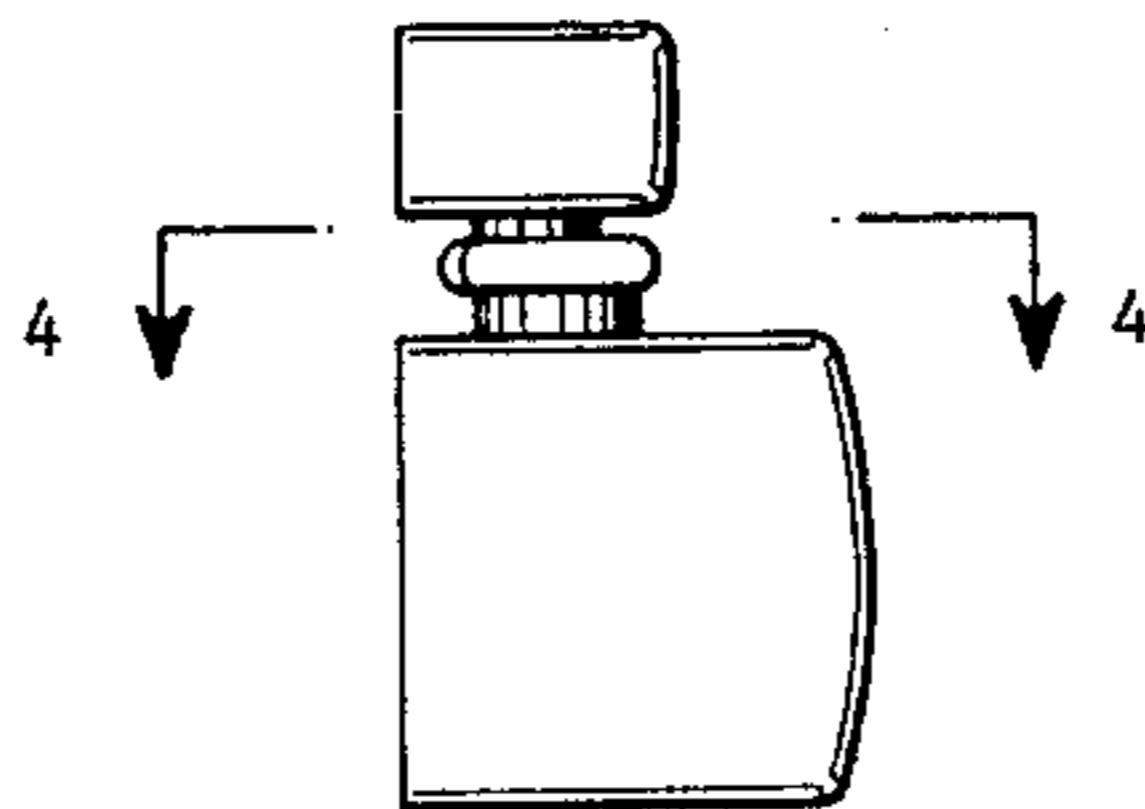
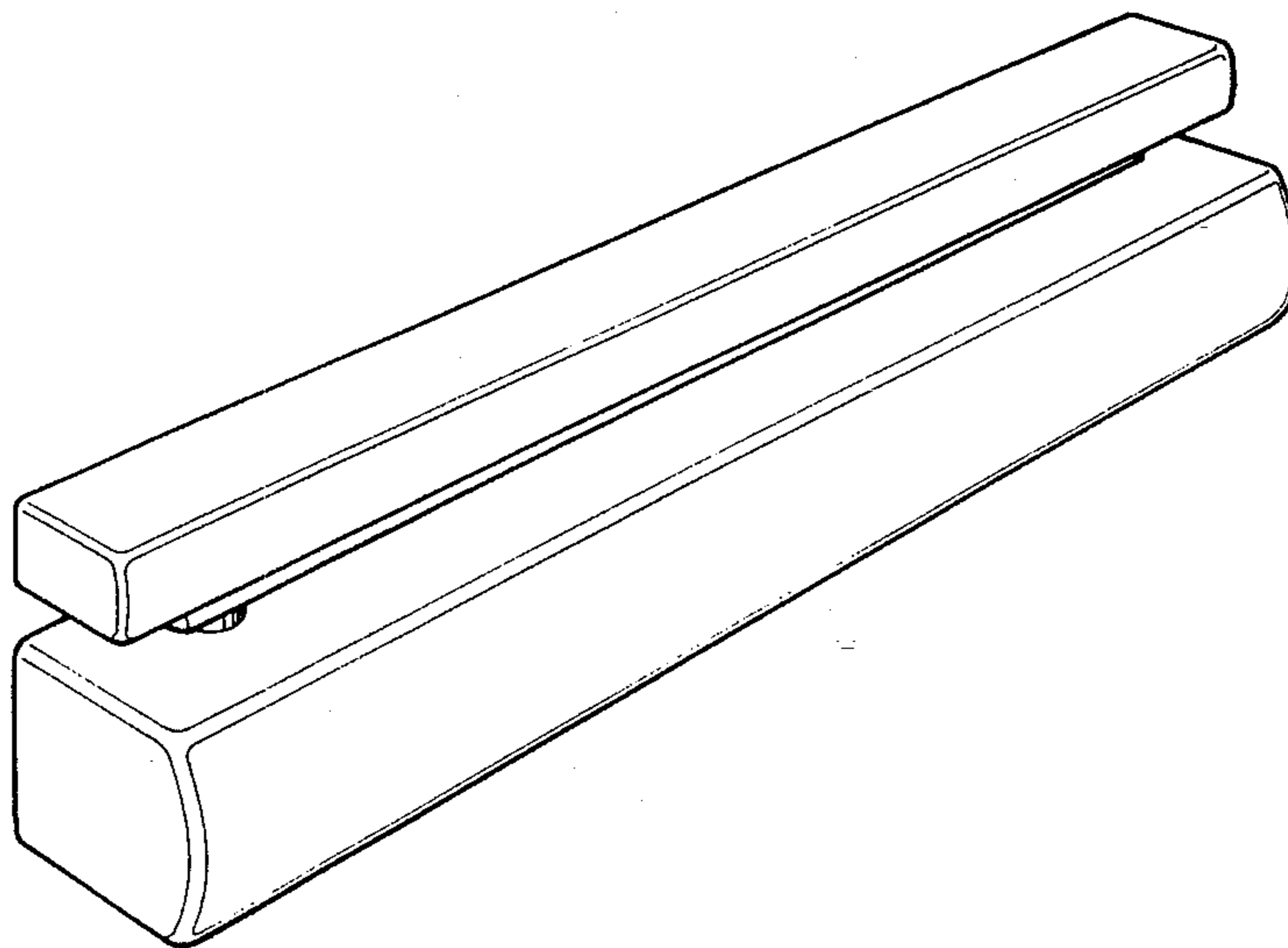


FIG 1

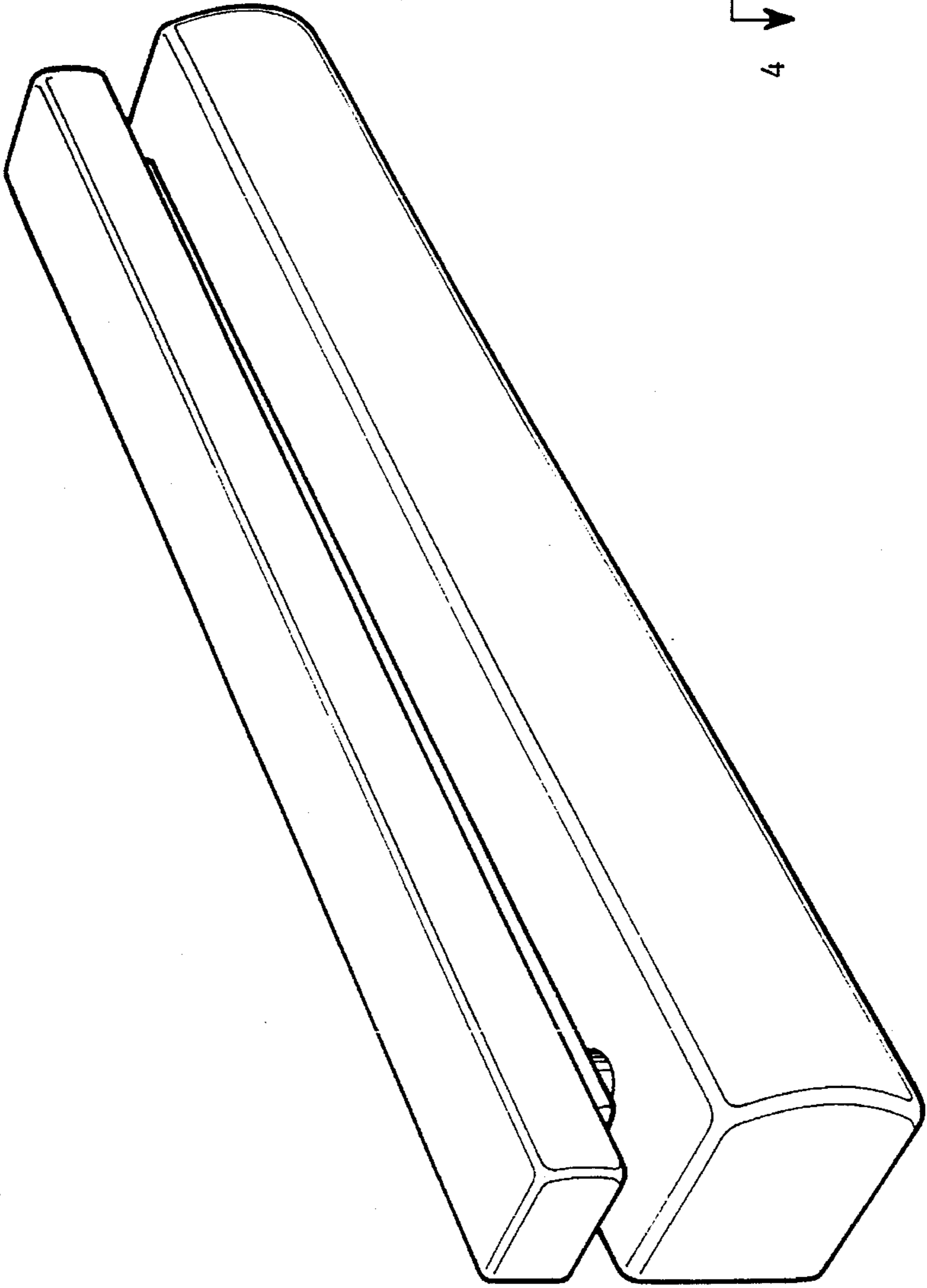


FIG 2

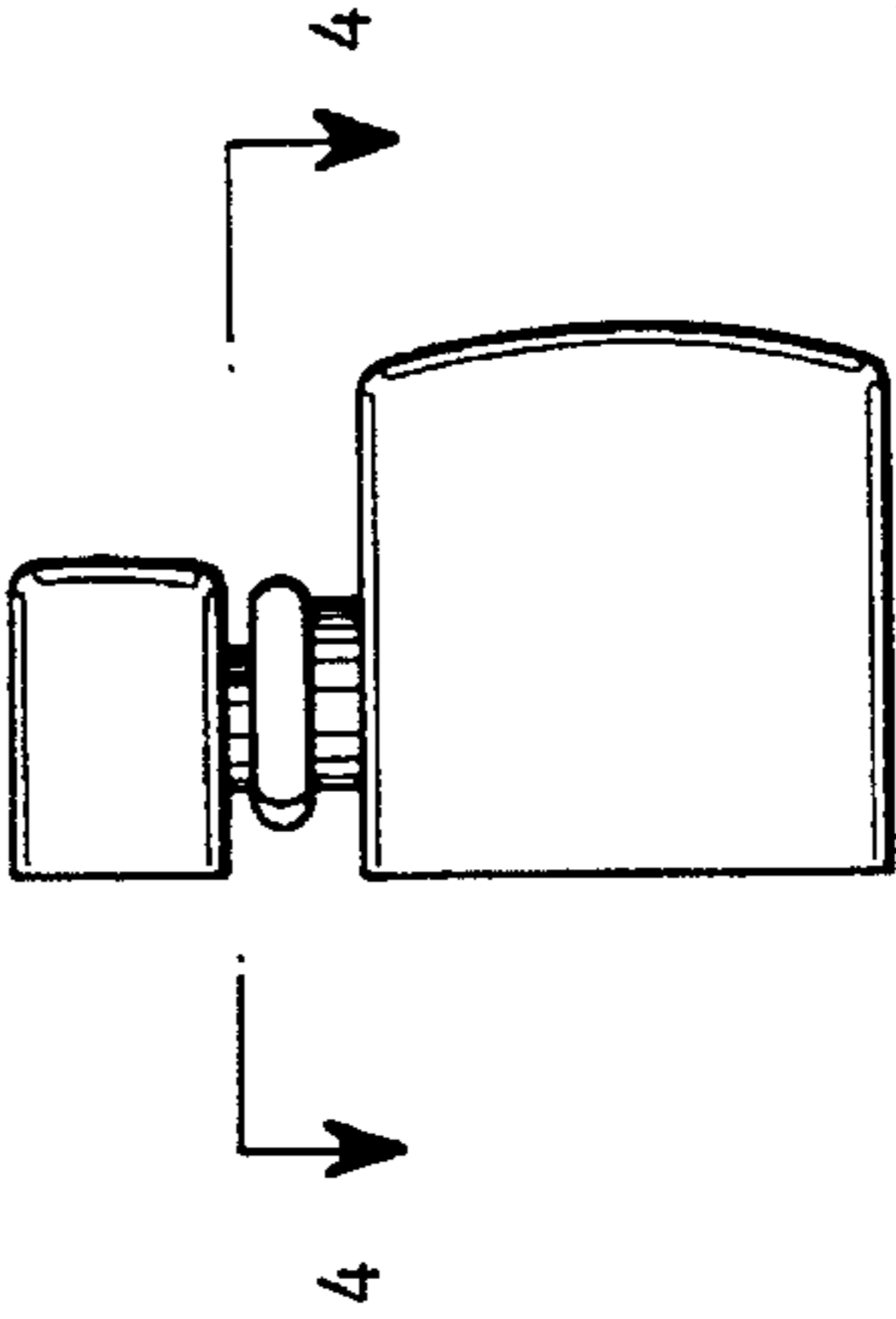


FIG 3

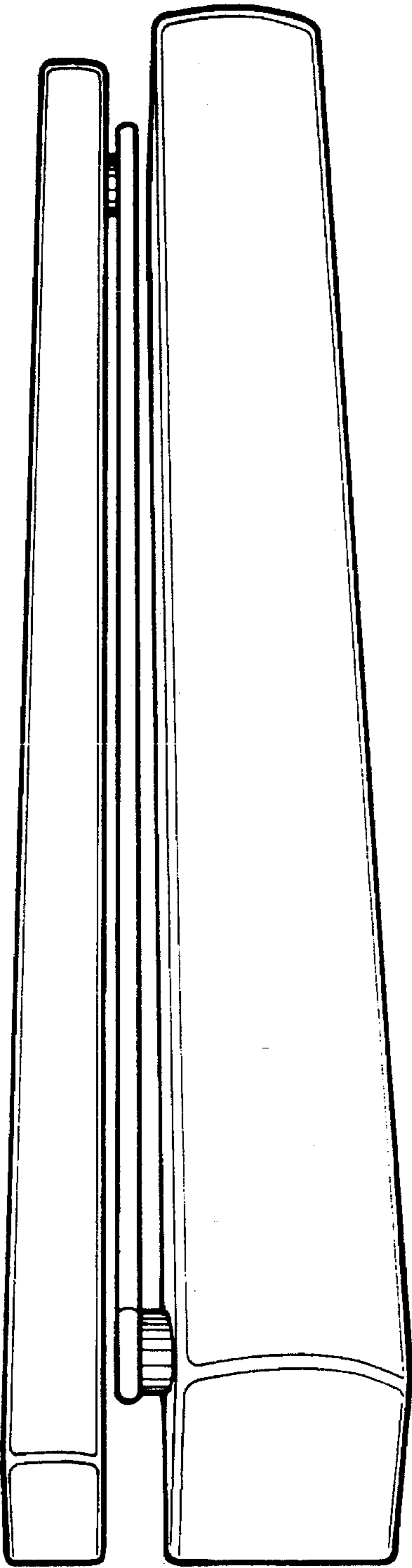


FIG 4

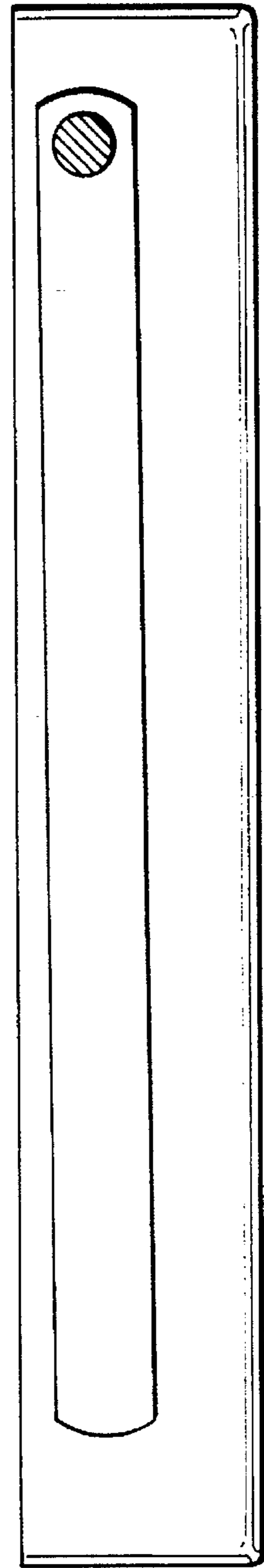


FIG 5

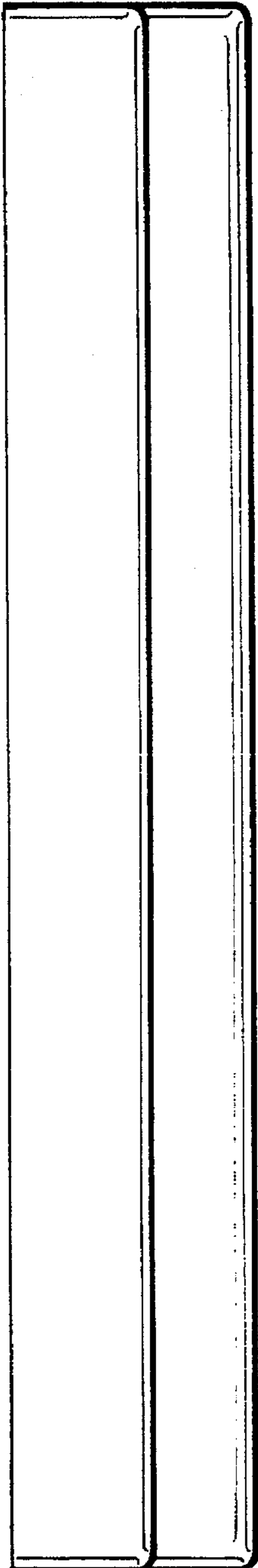


FIG 6

