



US00D364080S

United States Patent [19]
Weyrauch

[11] **Patent Number:** **Des. 364,080**

[45] **Date of Patent:** ****Nov. 14, 1995**

[54] **GUN VISE**

[76] **Inventor:** **George Weyrauch**, P.O. Box 116, Bear Creek, Pa. 18602

[**] **Term:** **14 Years**

[21] **Appl. No.:** **26,524**

[22] **Filed:** **Jul. 29, 1994**

[52] **U.S. Cl.** **D8/74**

[58] **Field of Search** **D8/71, 72, 73, D8/74; D22/108; 248/520; 211/64; 42/94**

Cabela's Gun Vise prior to Jul. 24, 1993.

p9-3005 Gun Vise prior to Jul. 24, 1993.

Davy Crockett Gun Vise, 1994.

Primary Examiner—Martie Thompson
Attorney, Agent, or Firm—Volpe and Koenig

[57] **CLAIM**

The ornamental design for a gun vise, as shown and described.

DESCRIPTION

FIG. 1 is a perspective view of a gun vise according to my design;

FIG. 2 is a left side elevation thereof;

FIG. 3 is a top plan view thereof;

FIG. 4 is a right side elevation thereof;

FIG. 5 is a rear elevation thereof; and,

FIG. 6 is a front elevation thereof.

[56] **References Cited**

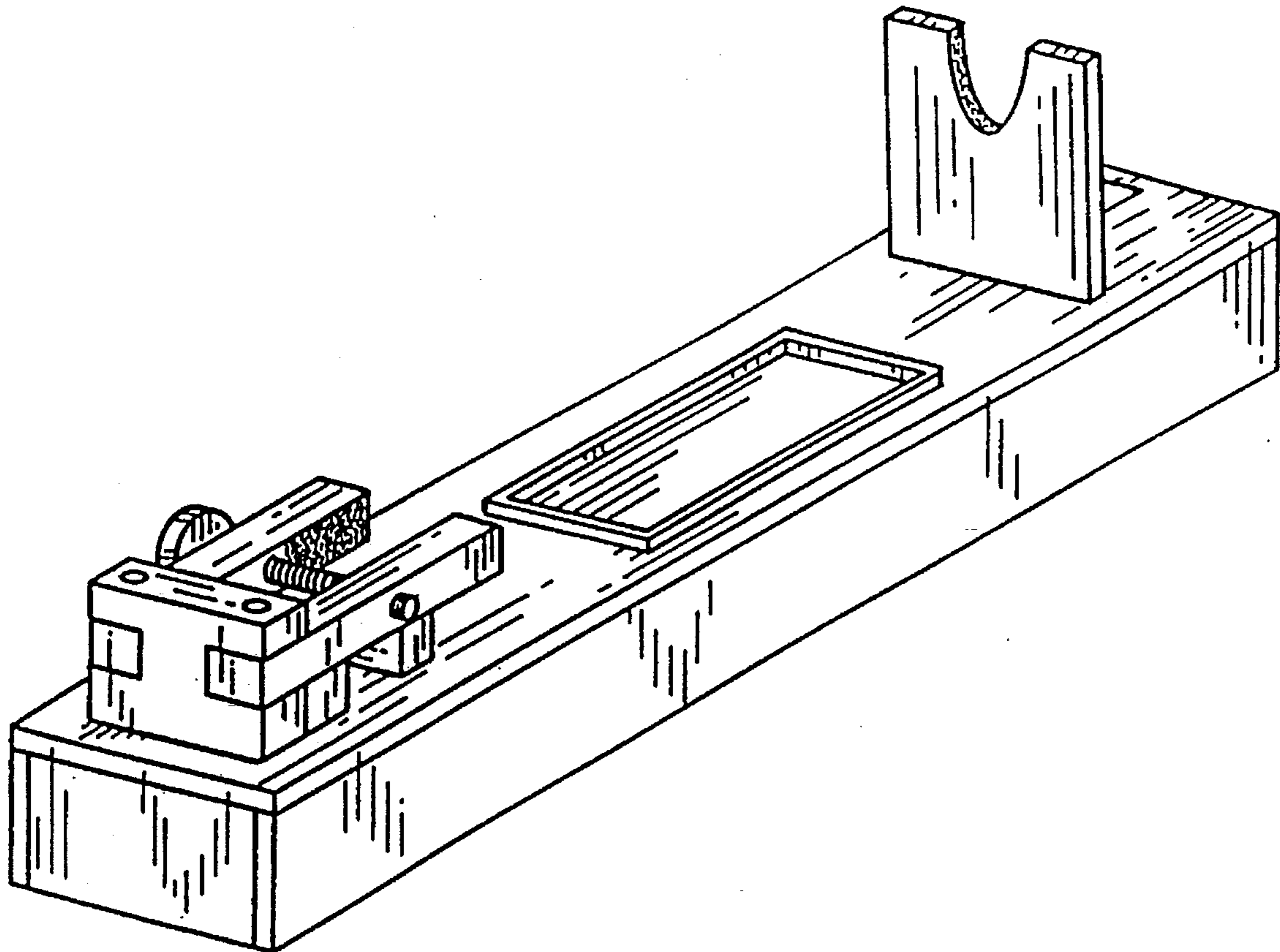
U.S. PATENT DOCUMENTS

| | | | | |
|-----------|---------|---------|-------|---------|
| 2,774,563 | 12/1956 | Pribis | | 248/520 |
| 4,207,699 | 6/1980 | Hensley | | 42/94 |
| 4,924,616 | 5/1990 | Bell | | 42/94 |
| 4,998,944 | 3/1991 | Lund | | 211/64 |

OTHER PUBLICATIONS

Hoppe's Gun Smith Bench Vise.
Decker Portable Rifle Vise; 1993.
Outers Shooter's Accessories prior to Jul. 24, 1993.

1 Claim, 1 Drawing Sheet



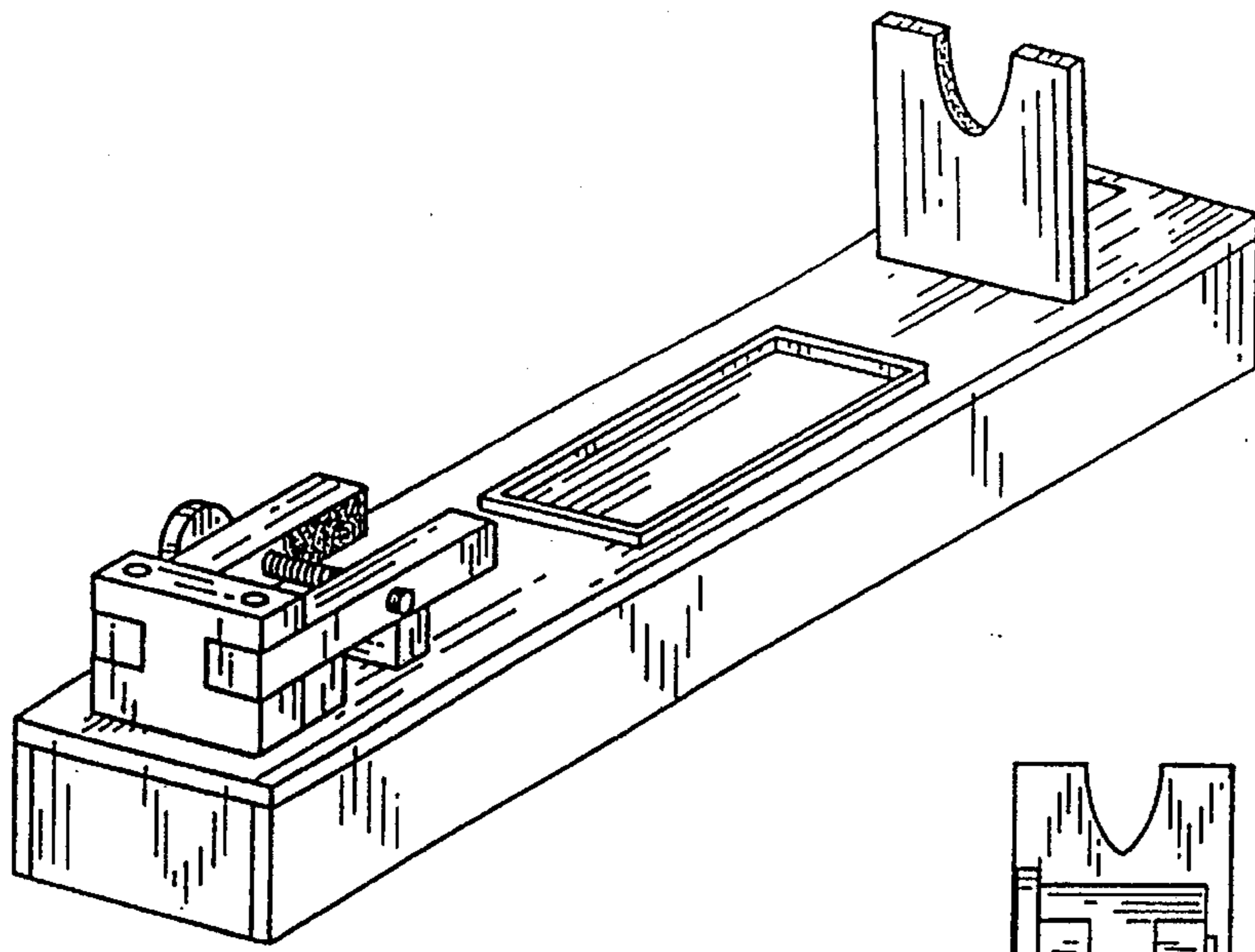


FIG. 1

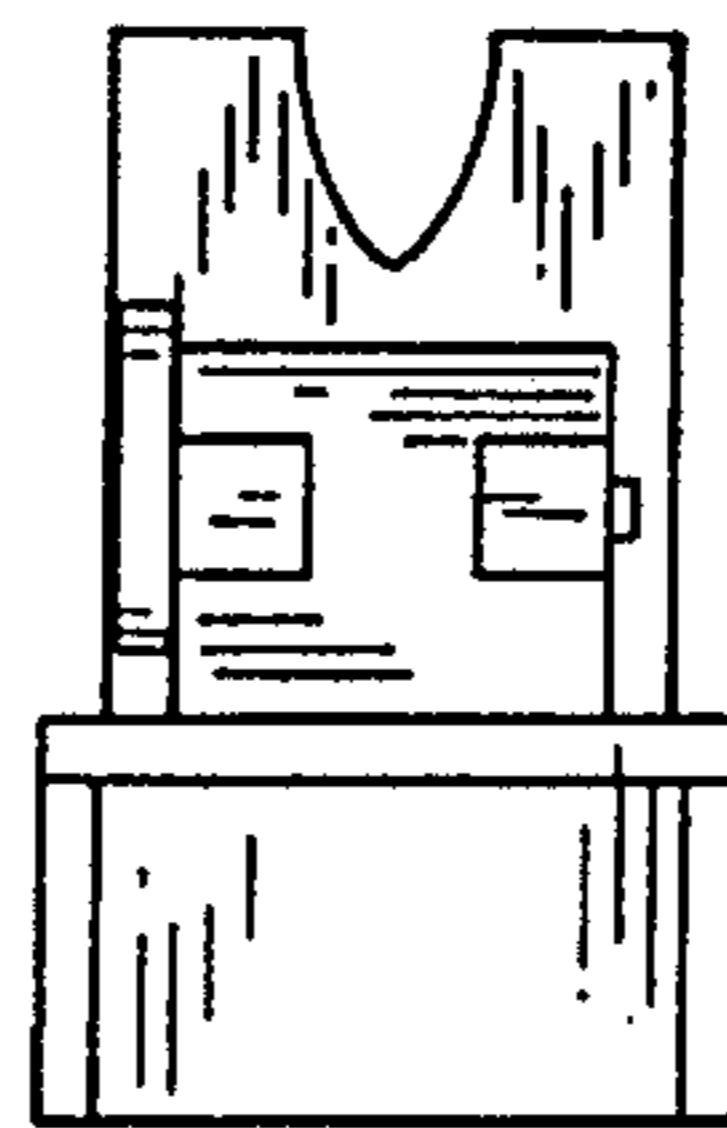


FIG. 2

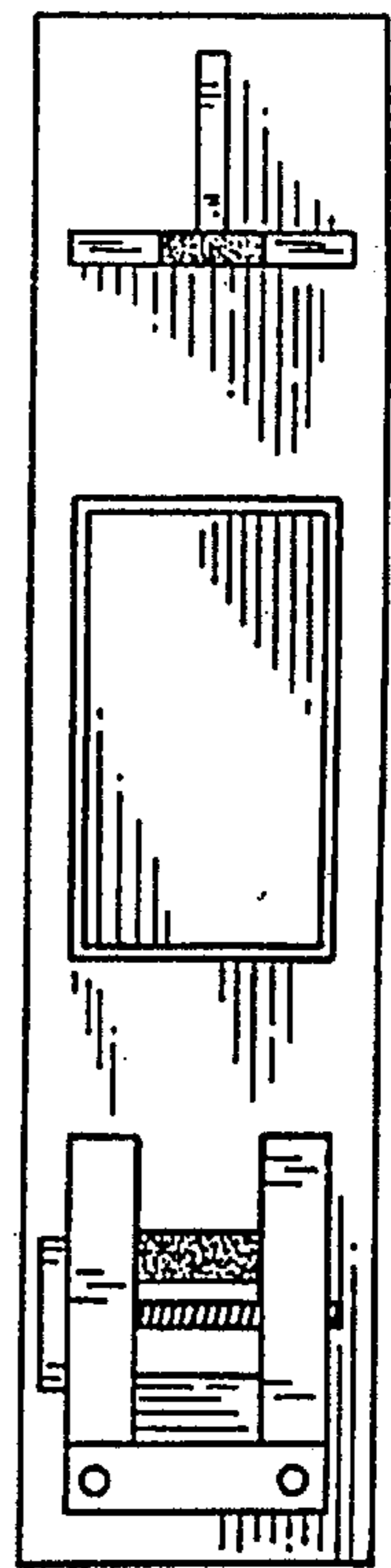


FIG. 3

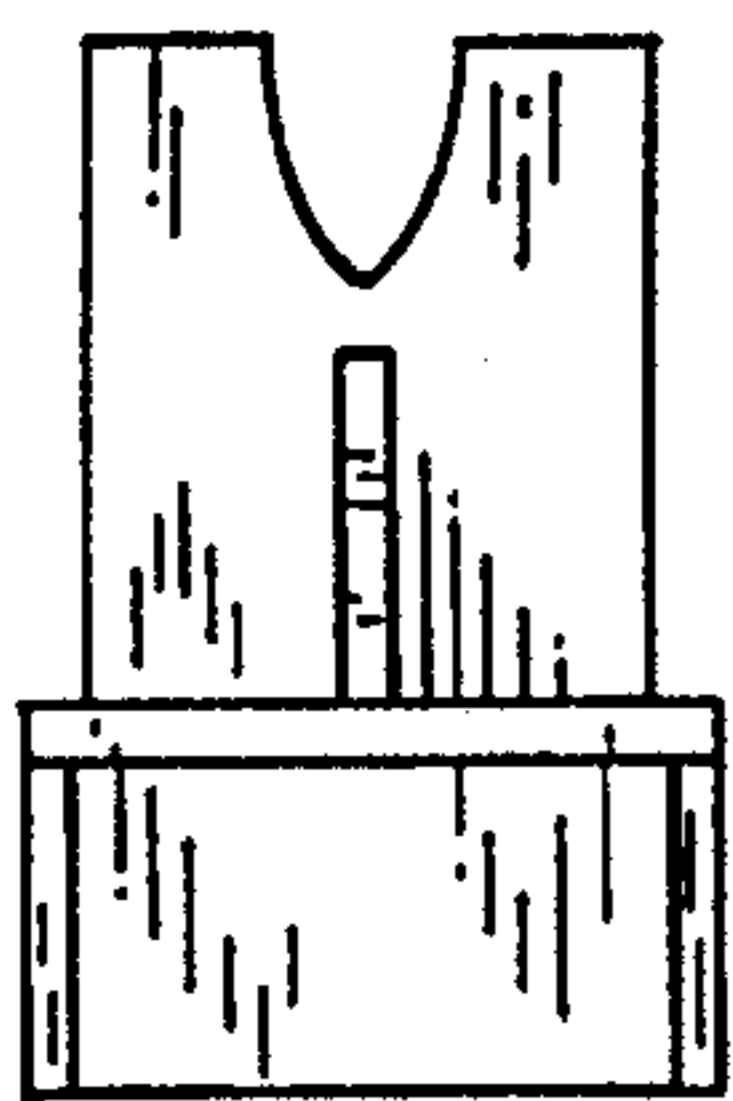


FIG. 4

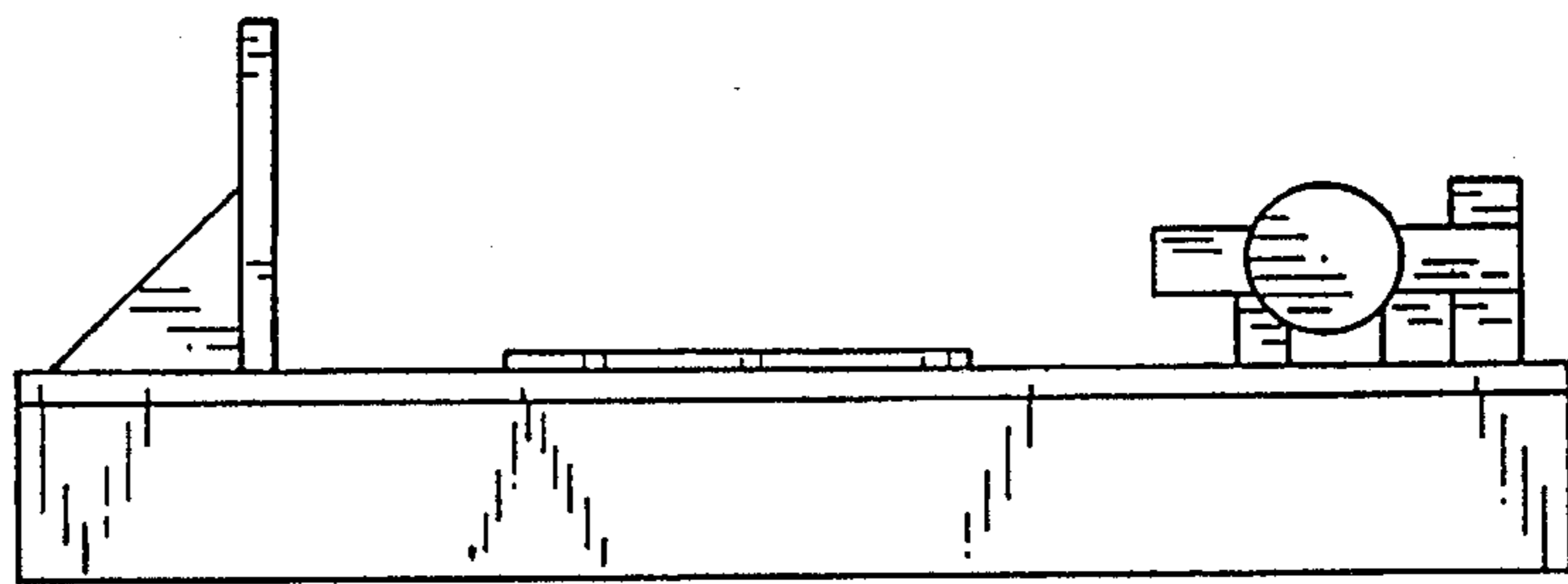


FIG. 5

FIG. 6

