



US00D364079S

# United States Patent [19] Skinner

[11] Patent Number: **Des. 364,079**  
[45] Date of Patent: **\*\*Nov. 14, 1995**

[54] **CUTTING LINE FOR A ROTATING LINE TRIMMER**  
[75] Inventor: **David B. Skinner**, Columbia, S.C.  
[73] Assignee: **Shakespeare Company**, Columbia, S.C.  
[\*\*] Term: **14 Years**  
[21] Appl. No.: **834,520**  
[22] Filed: **Feb. 12, 1992**  
[52] U.S. Cl. .... **D8/8; D15/138**  
[58] Field of Search ..... **D8/8; D15/16, D15/17, 138; D25/119-123, 12.7; 30/276, 295, 56; 56/12.7, 295; 428/397, 400**

5,048,278 9/1991 Jones et al. .... 56/12.7  
5,220,774 6/1993 Harbeke et al. .... 56/12.7

### FOREIGN PATENT DOCUMENTS

556632 10/1974 Switzerland .

### OTHER PUBLICATIONS

Plastic Process Co. Catalog Jul. 1953 p. 55, item 1360.  
Anchor Plastics Catalog ©1960 p. 29, tubing "D".  
Van Huffel Catalog L-56, p. 69 bottom right tubing.  
Van Huffel Catalog L-56, p. 72 tubing.  
Photocopy of Photograph—Starline of Omark/Sprintrim line of Garden Pro undated.

*Primary Examiner*—Sandra L. Morris  
*Attorney, Agent, or Firm*—Renner, Kenner, Greive, Bobak, Taylor & Weber

### [56] References Cited U.S. PATENT DOCUMENTS

D. 298,905	12/1988	Petherick et al. ....	D8/8
4,047,299	9/1977	Bair .....	30/276
4,107,841	8/1978	Rebhun .....	30/276
4,126,990	11/1978	Fisher et al. ....	56/295
4,186,239	1/1980	Mize et al. ....	30/276
4,282,653	8/1981	Comer et al. ....	30/276
4,356,686	11/1982	Lessig, III .....	56/295
4,412,382	11/1983	White, III .....	30/276
4,631,828	12/1986	Burnett .....	56/127
4,825,627	5/1989	Truderung .....	56/12.7
4,869,055	9/1989	Mickelson .....	56/12.7
4,905,465	3/1990	Jones et al. ....	56/295
4,916,886	4/1990	Nakamura et al. ....	56/12.7

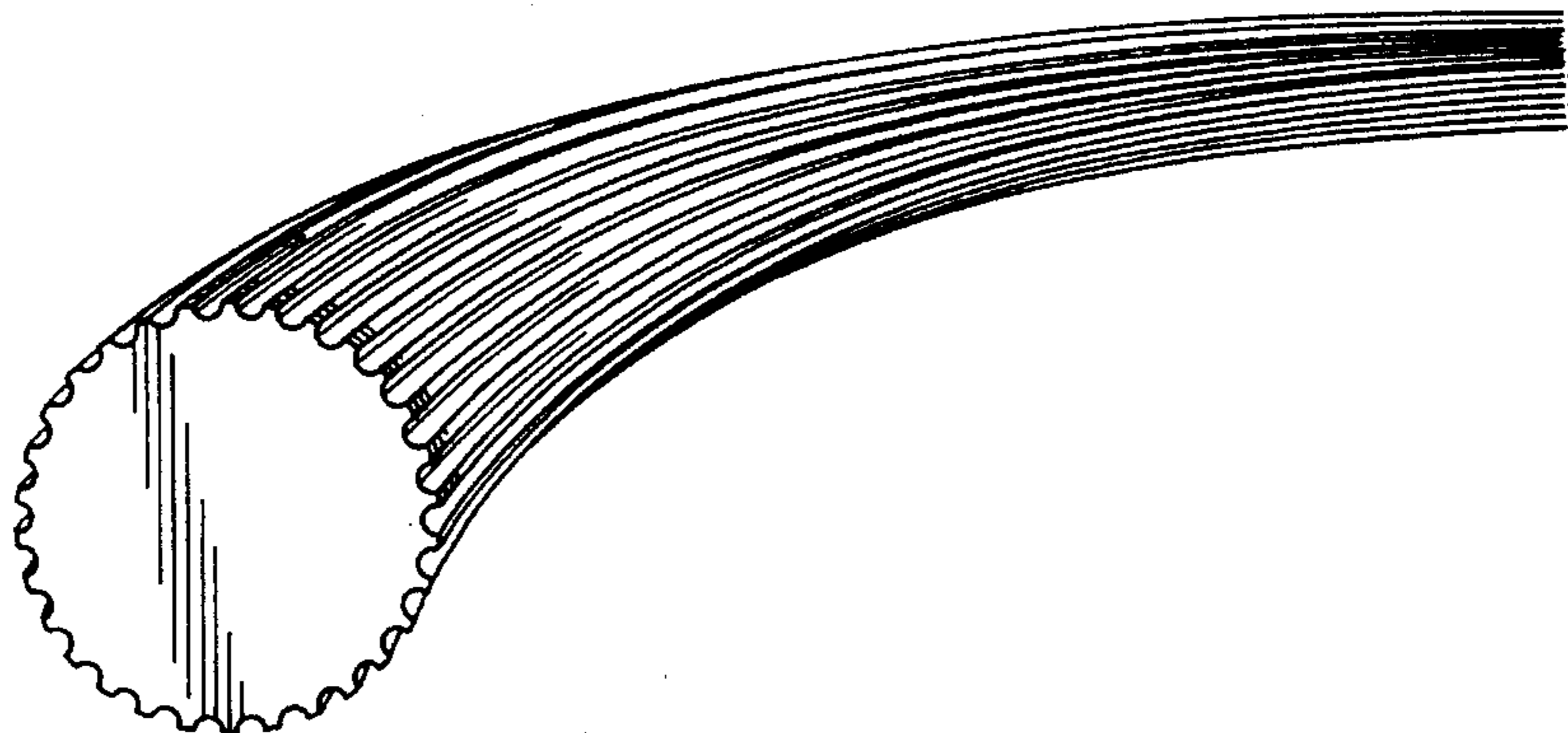
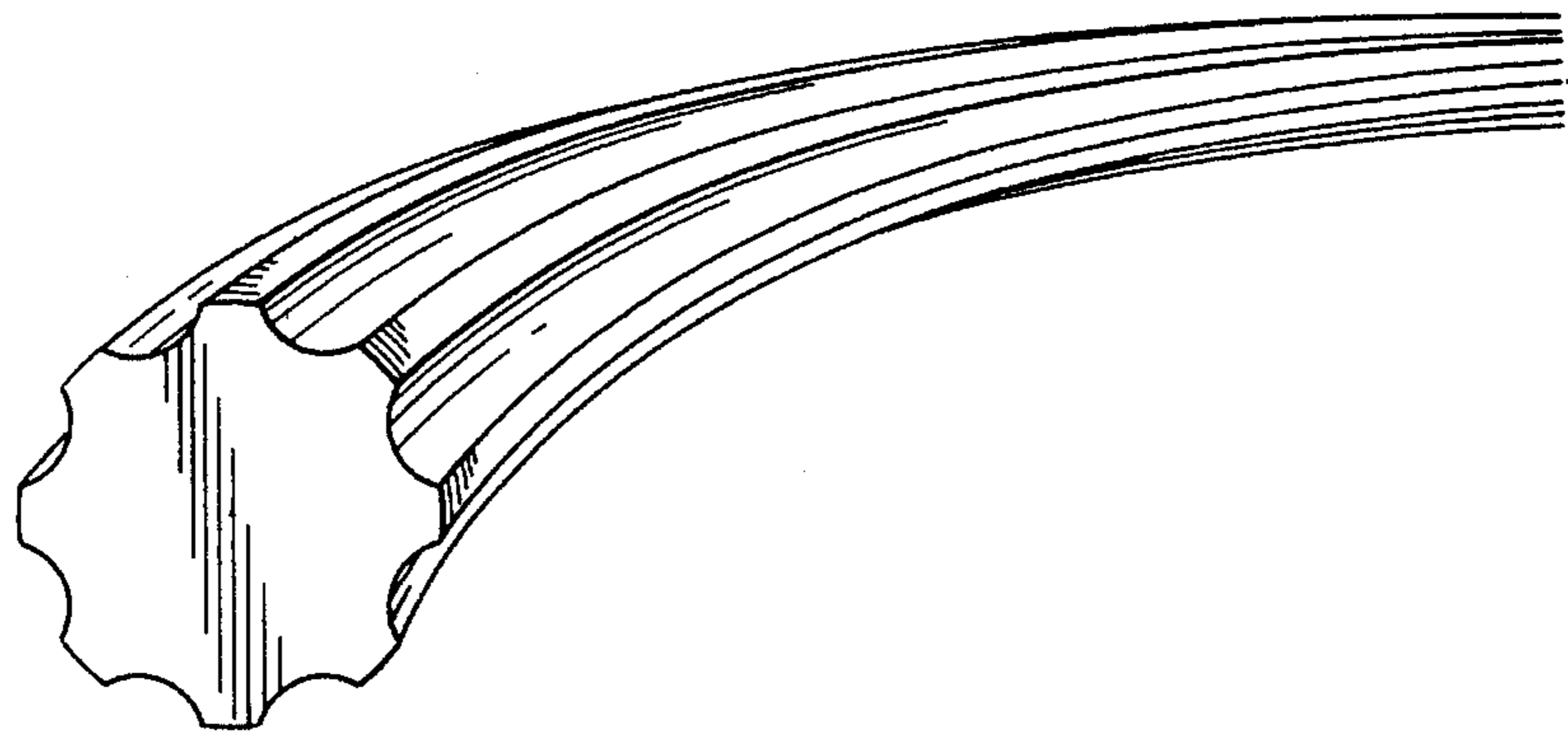
### [57] CLAIM

The ornamental design for a cutting line for a rotating line trimmer, as shown and described.

### DESCRIPTION

FIG. 1 is a fragmentary perspective view of a cutting line for a rotating line trimmer, showing my new design;  
FIG. 2 is a second embodiment thereof;  
FIG. 3 is a third embodiment thereof;  
FIG. 4 is a fourth embodiment thereof;  
FIG. 5 is a fifth embodiment thereof; and,  
FIG. 6 is a sixth embodiment thereof.

**1 Claim, 2 Drawing Sheets**



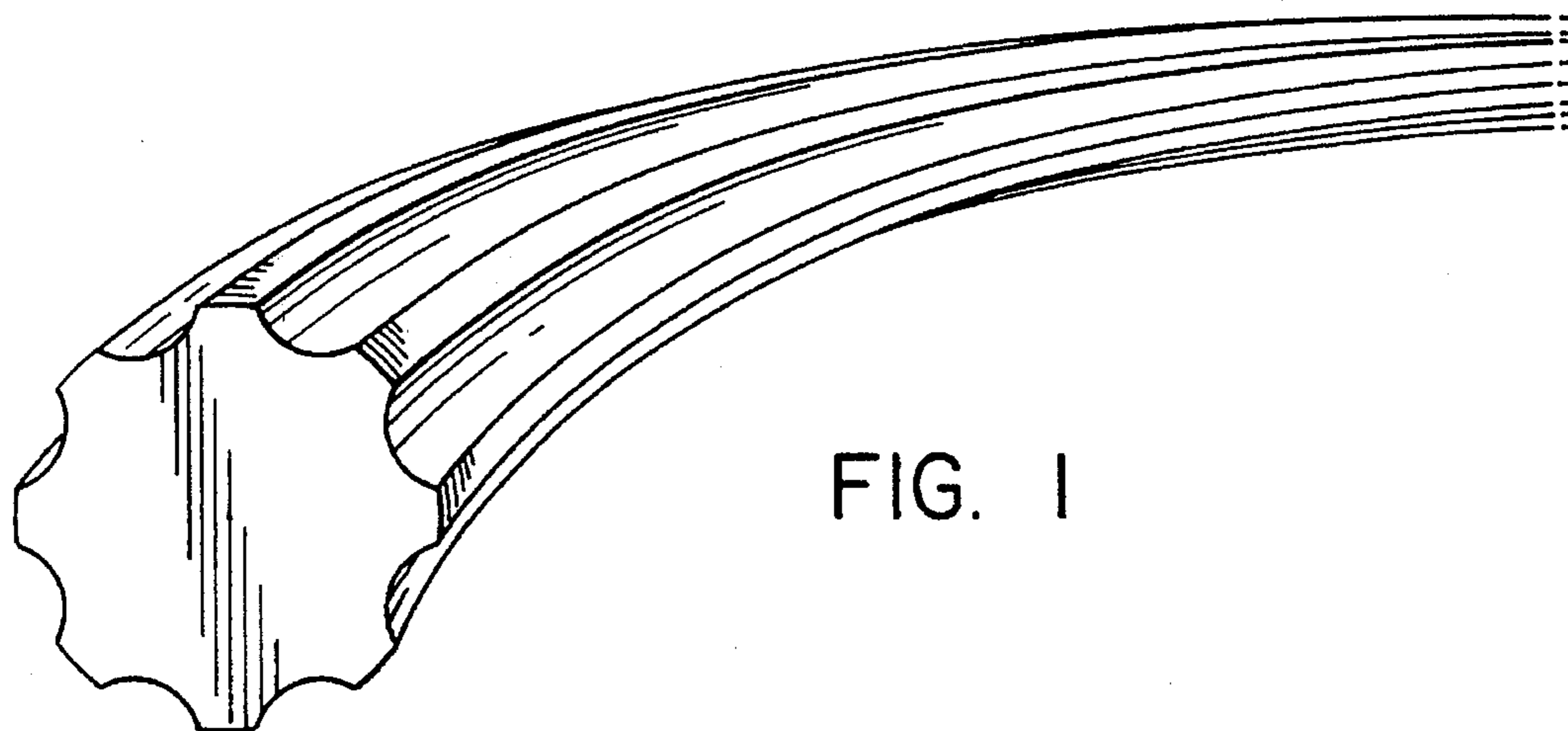


FIG. 1

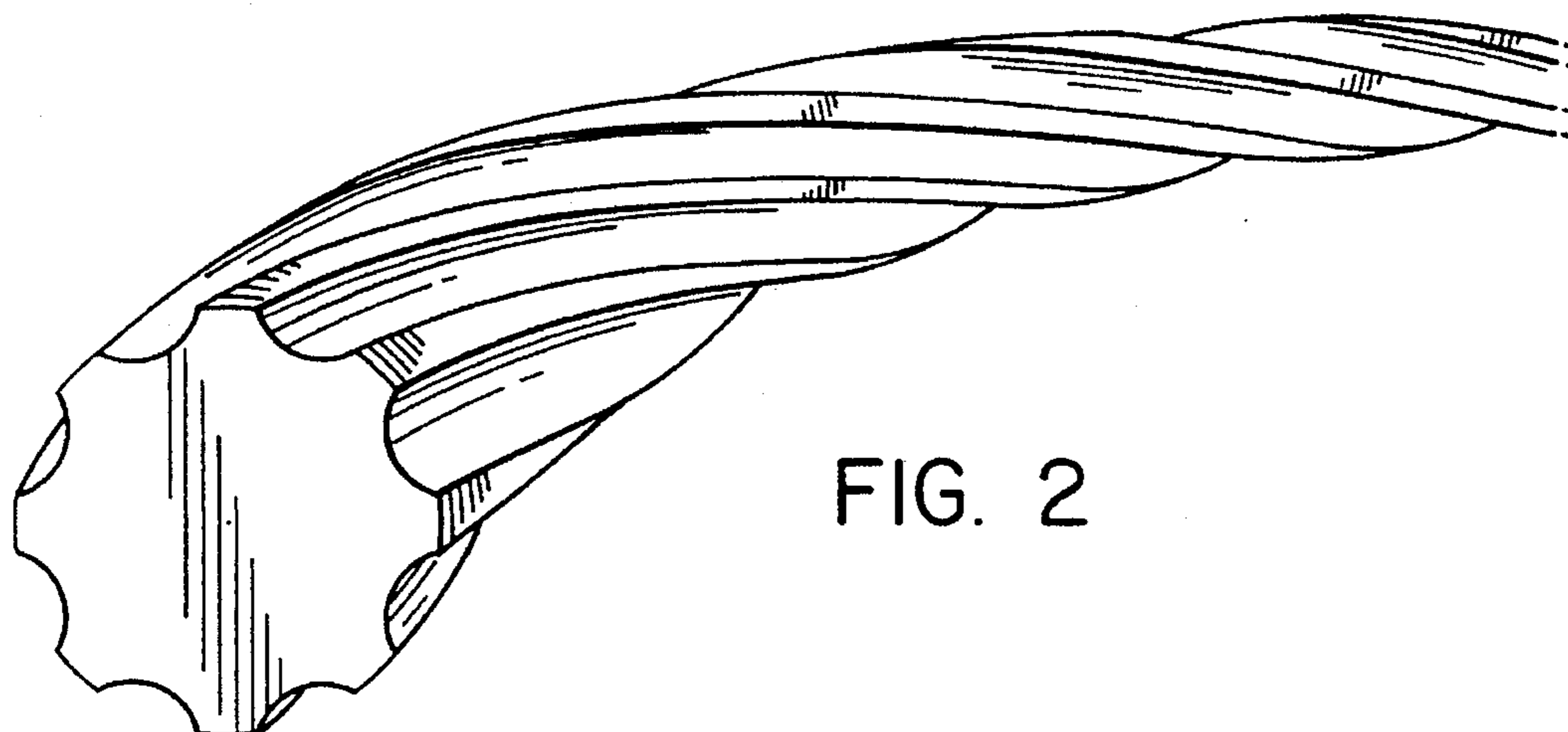


FIG. 2

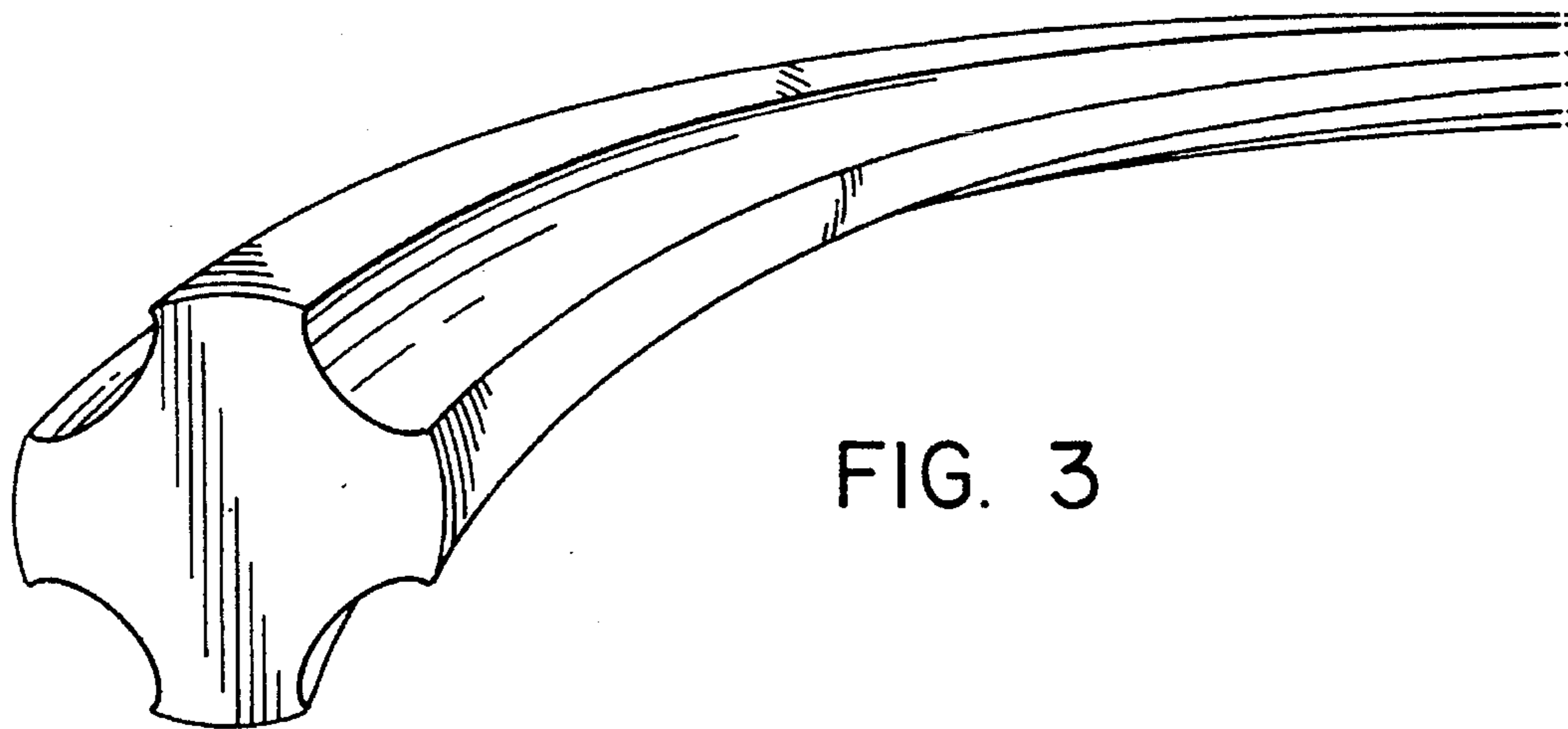


FIG. 3

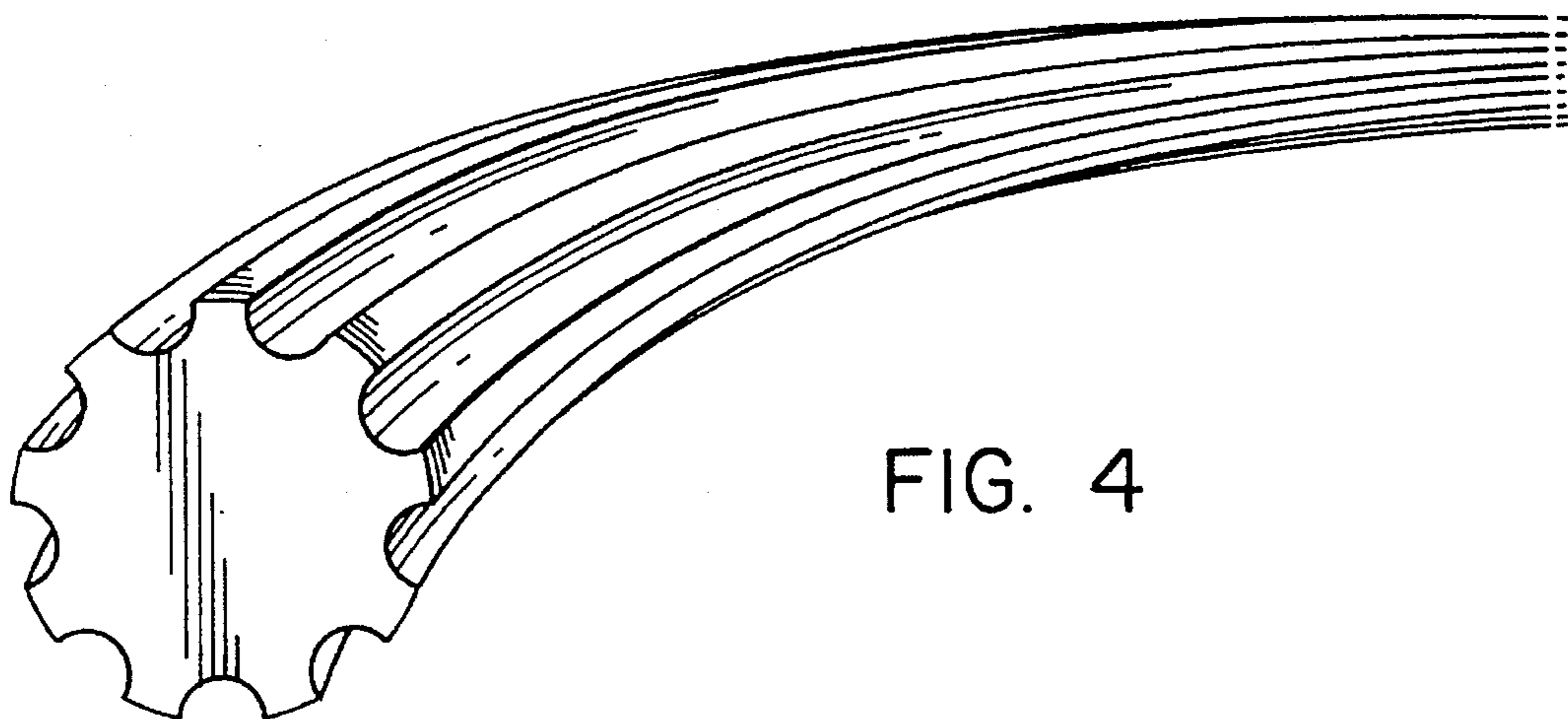


FIG. 4

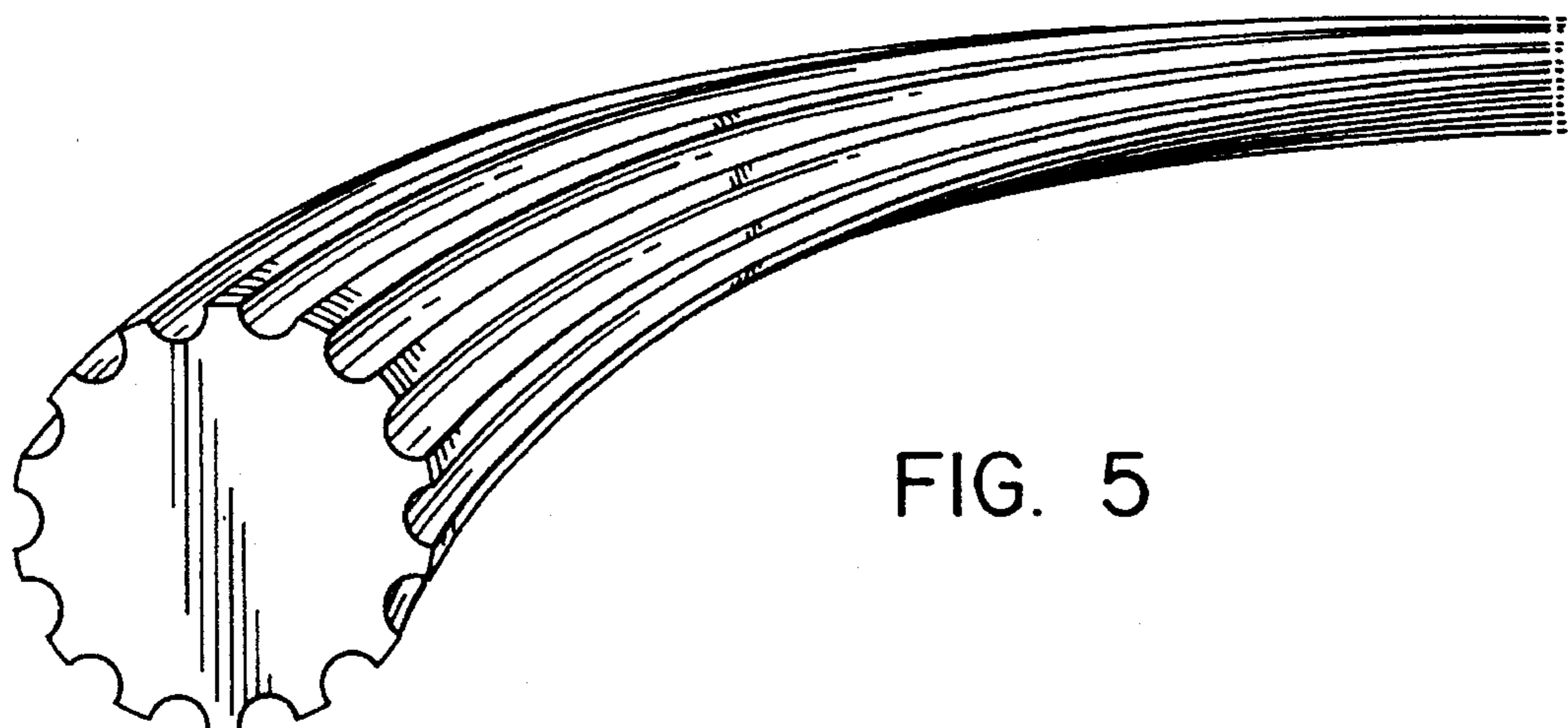


FIG. 5

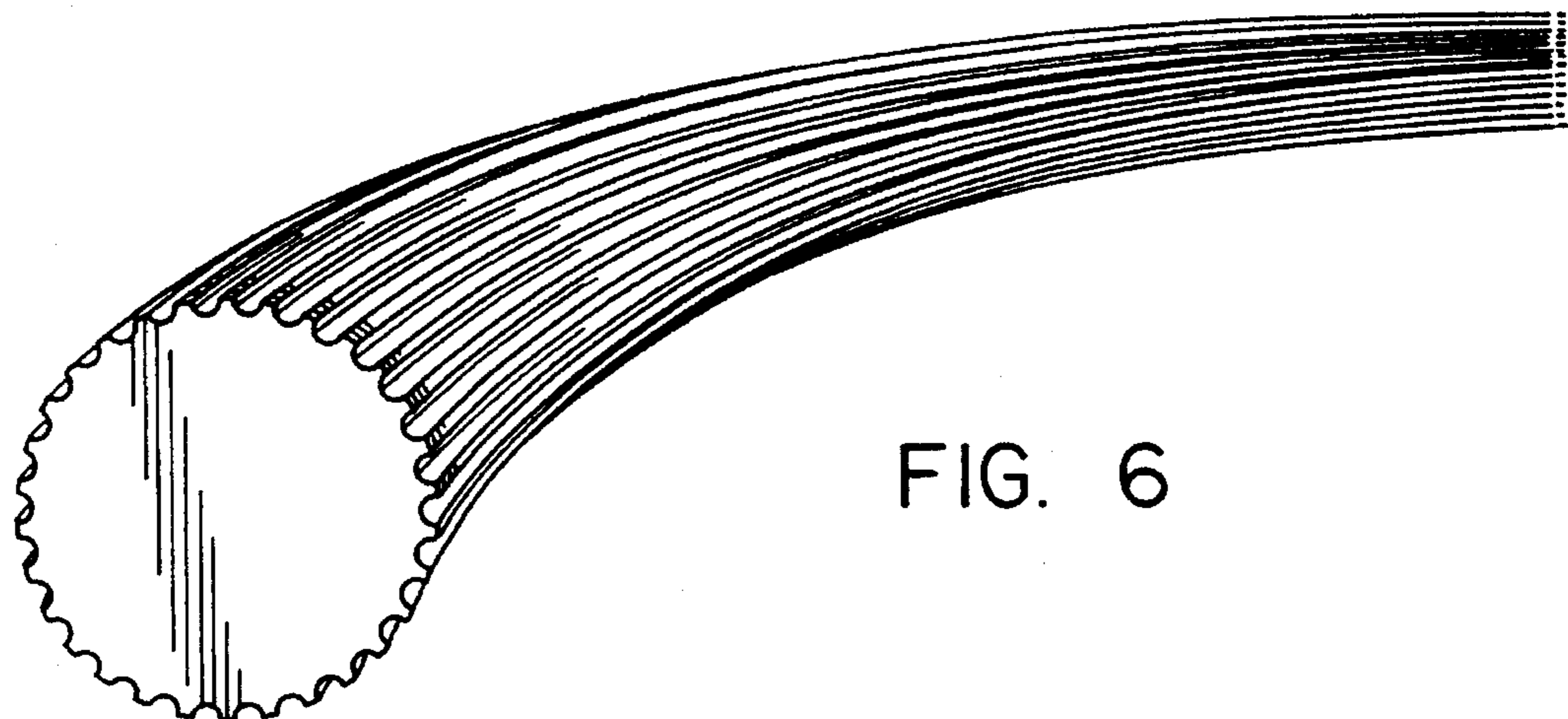


FIG. 6