



US00D364074S

**United States Patent** [19]  
**Yeh**

[11] **Patent Number: Des. 364,074**  
[45] **Date of Patent: \*\*Nov. 14, 1995**

[54] **RACK FOR KITCHEN UTENSILS**  
[76] Inventor: **Kuo S. Yeh**, No. 15, Lane 33, Wei Kuo St., Tainan City, Taiwan  
[\*\*] Term: **14 Years**  
[21] Appl. No.: **28,242**  
[22] Filed: **Sep. 14, 1994**  
[52] **U.S. Cl.** ..... **D7/637; D6/464; D7/704**  
[58] **Field of Search** ..... **D6/458, 462-465; D7/637, 601, 704; 211/13, 70.7, 181; 248/153, 175**

*Primary Examiner*—Terry A. Wallace  
*Attorney, Agent, or Firm*—Morton J. Rosenberg; David I. Klein

[57] **CLAIM**

The ornamental design for a rack for kitchen utensils, as shown.

**DESCRIPTION**

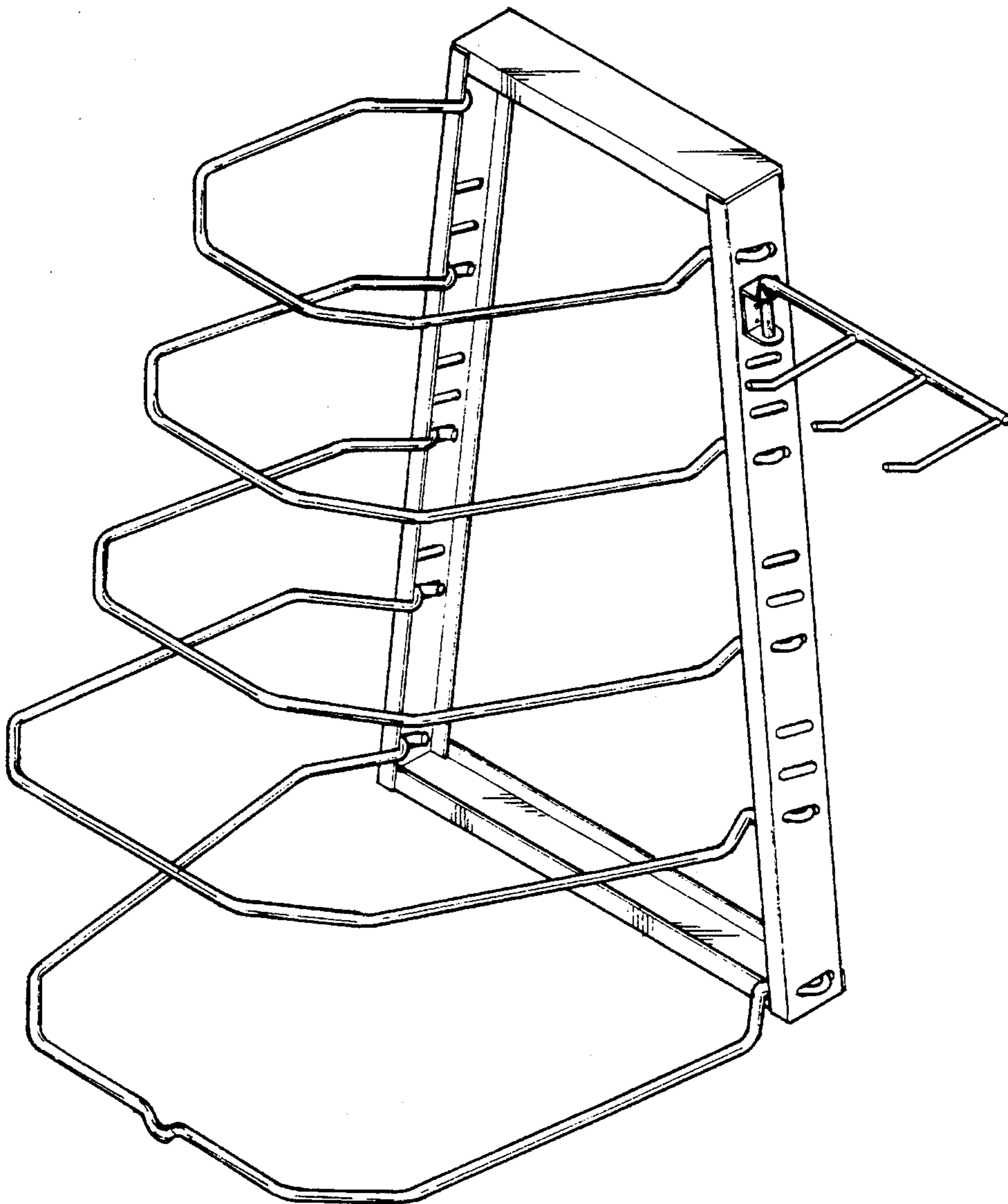
FIG. 1 is a perspective view of a rack for kitchen utensils showing my new design;  
FIG. 2 is a front elevation view thereof;  
FIG. 3 is a rear elevation view thereof;  
FIG. 4 is a left side elevation view thereof;  
FIG. 5 is a right side elevation view thereof;  
FIG. 6 is a top plan view thereof; and,  
FIG. 7 is a bottom plan view thereof.

[56] **References Cited**

**U.S. PATENT DOCUMENTS**

1,888,141	11/1932	Orth	.....	294/161	X
2,972,414	2/1961	Sipe	.....	211/181	X
4,583,646	4/1986	Bowman	.....	211/181	X
5,111,940	5/1992	Van Noord	.....	211/181	X

**1 Claim, 6 Drawing Sheets**



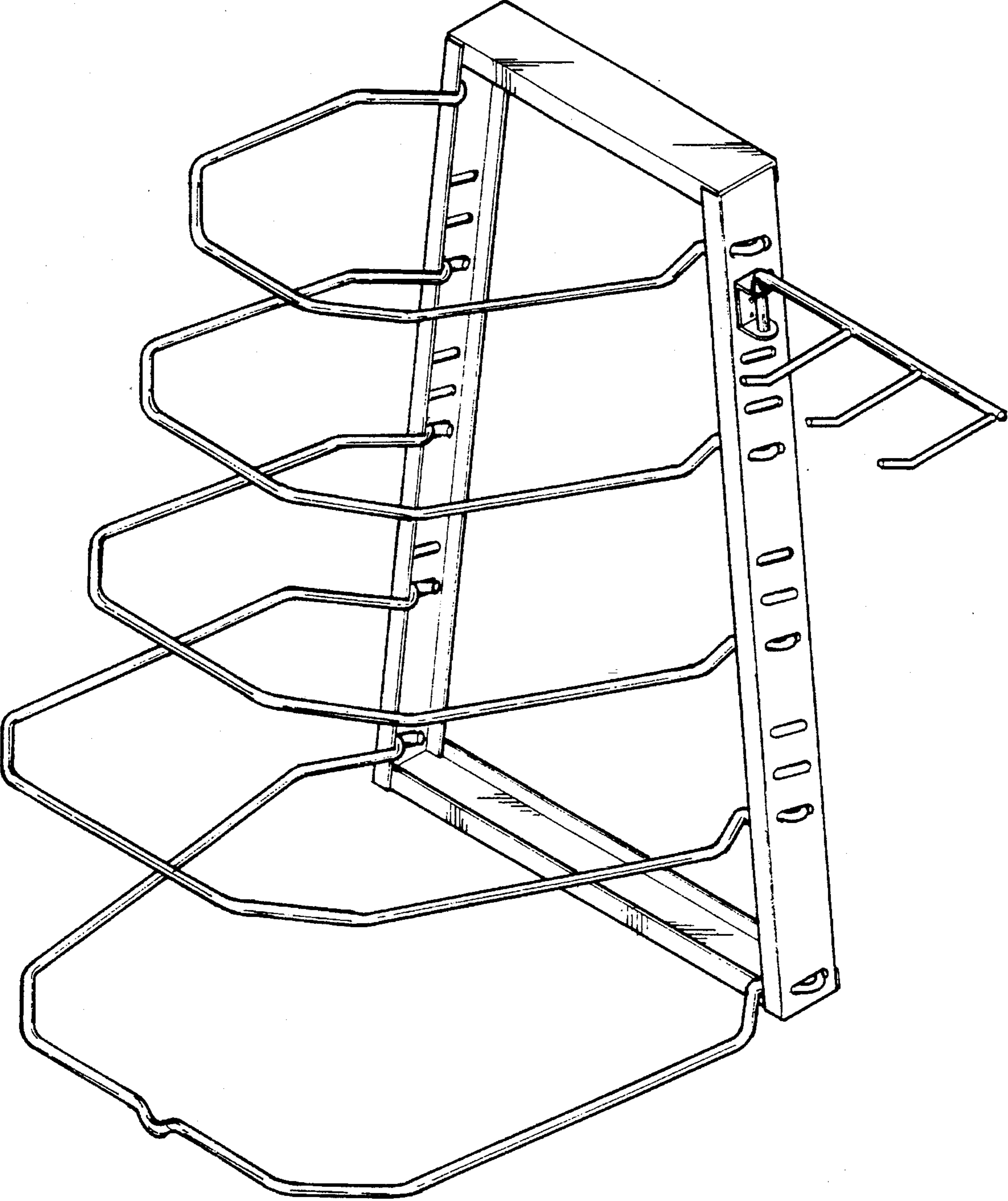


FIG . 1

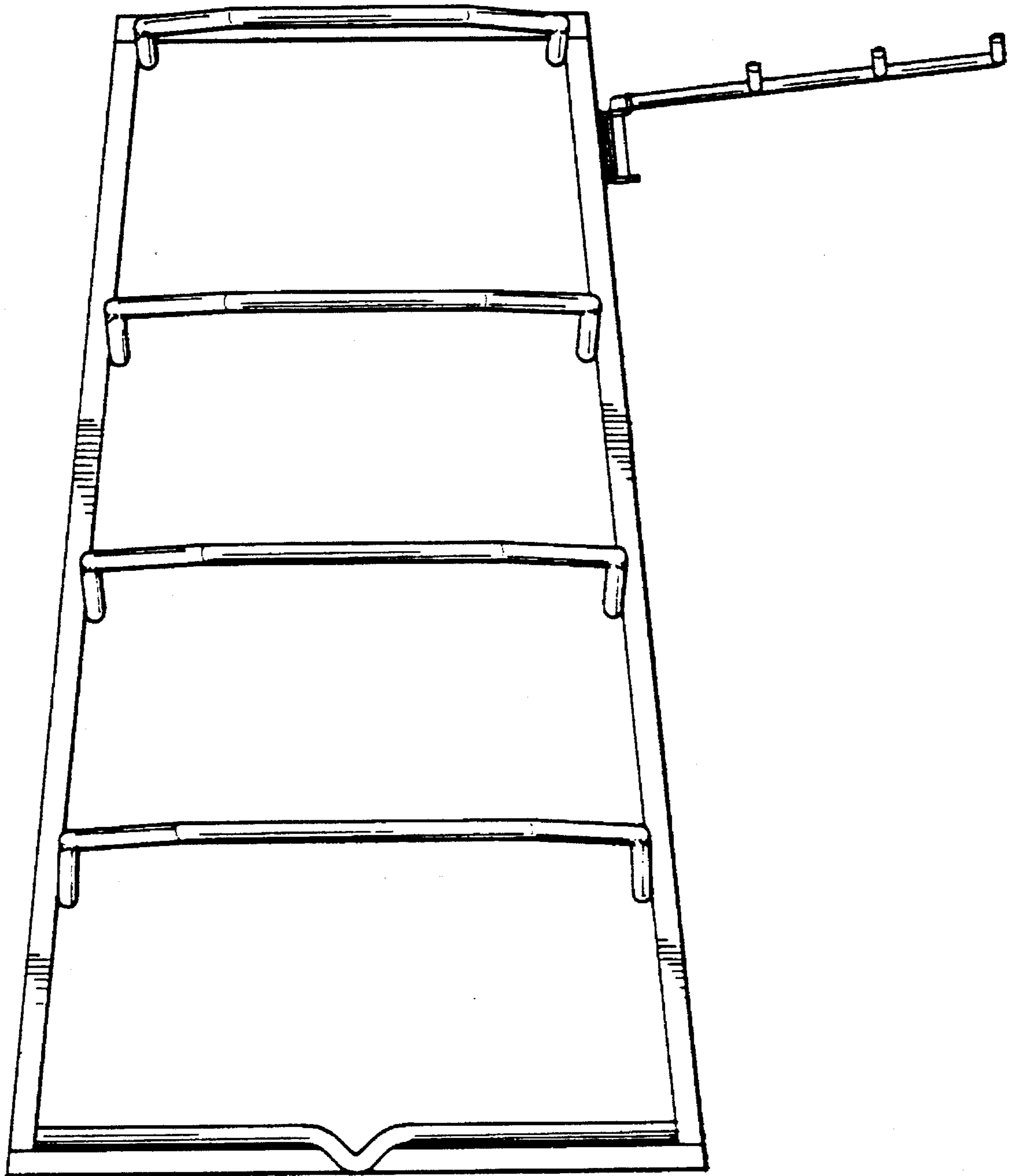


FIG . 2

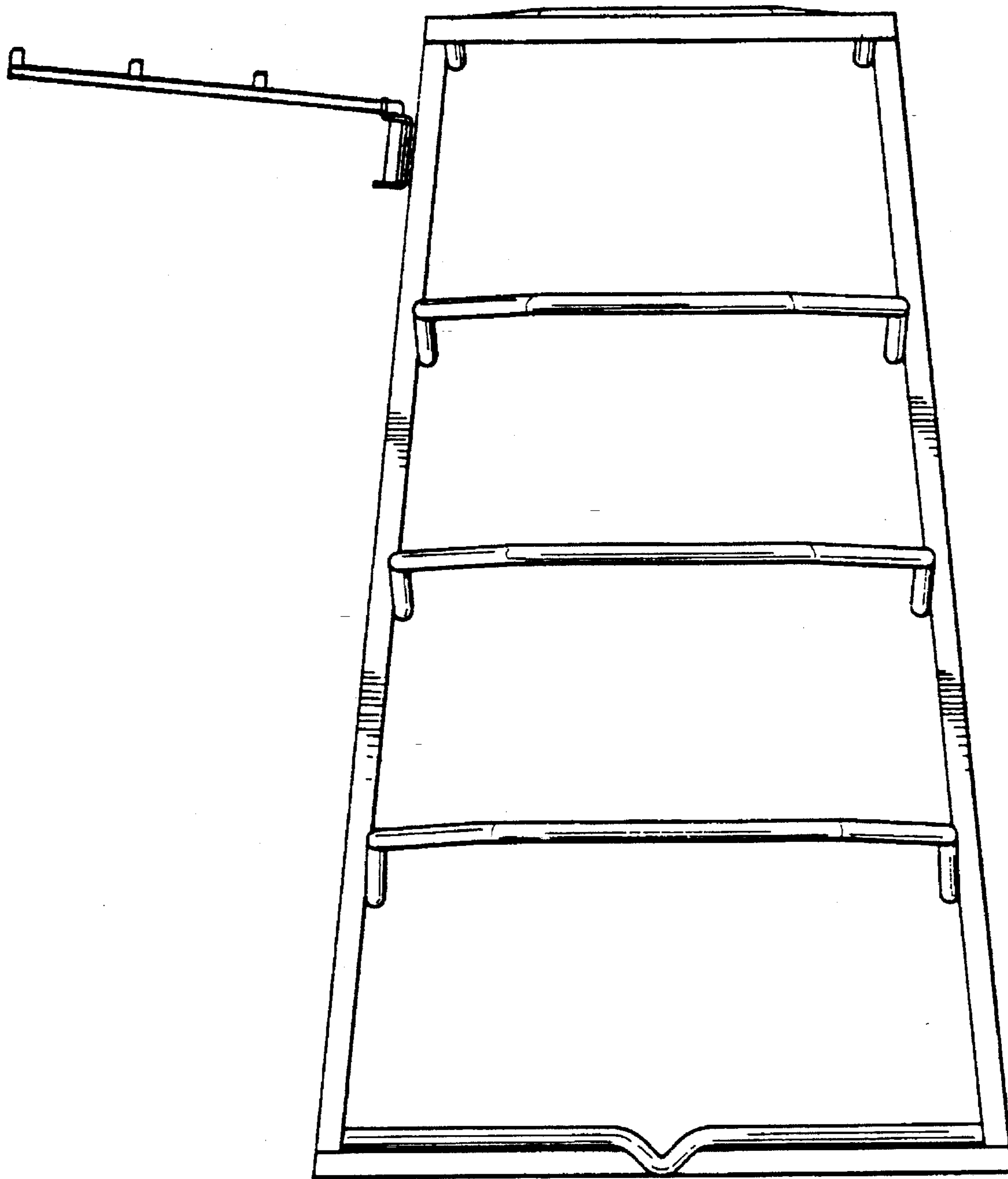


FIG . 3

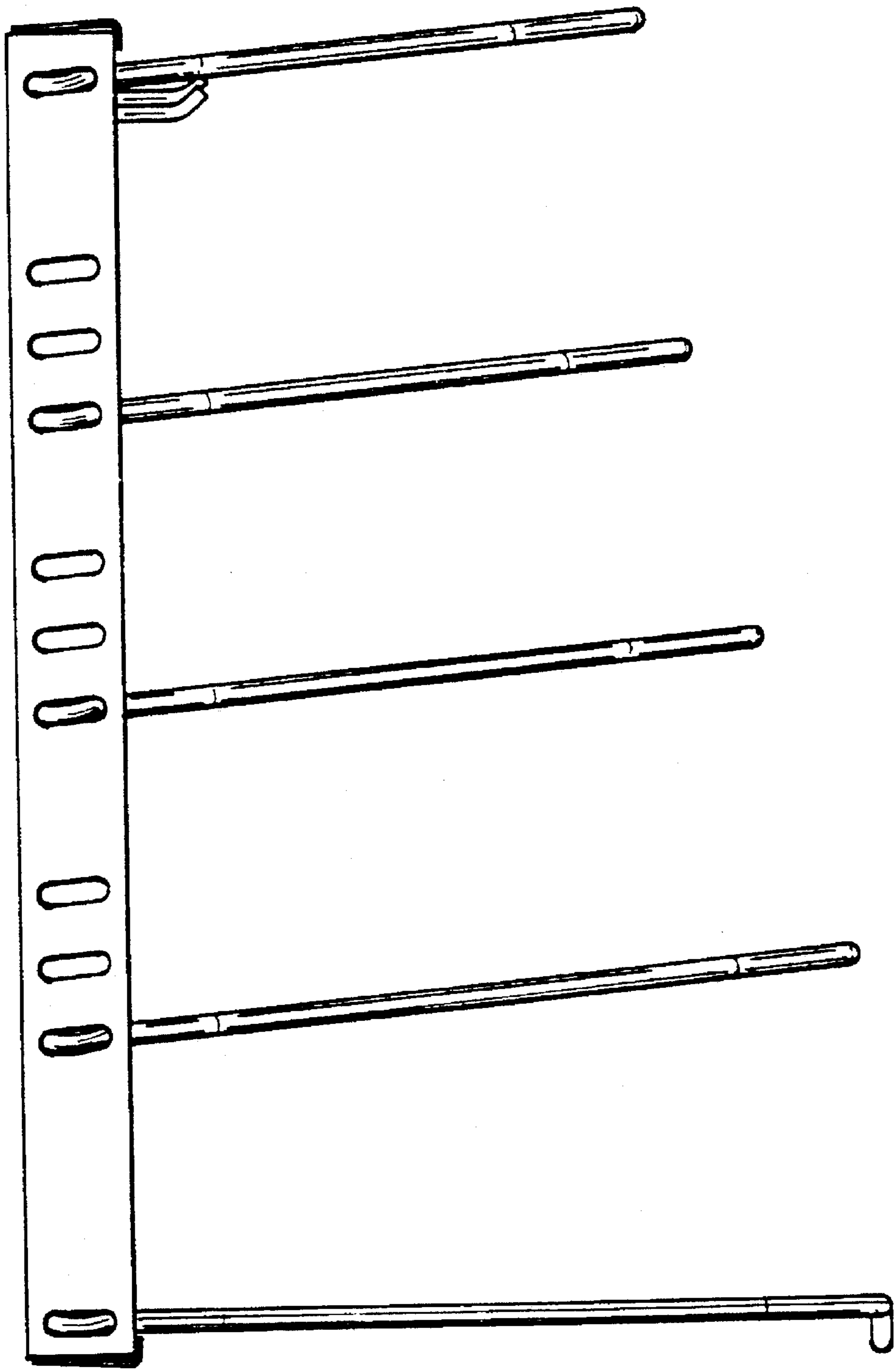


FIG . 4

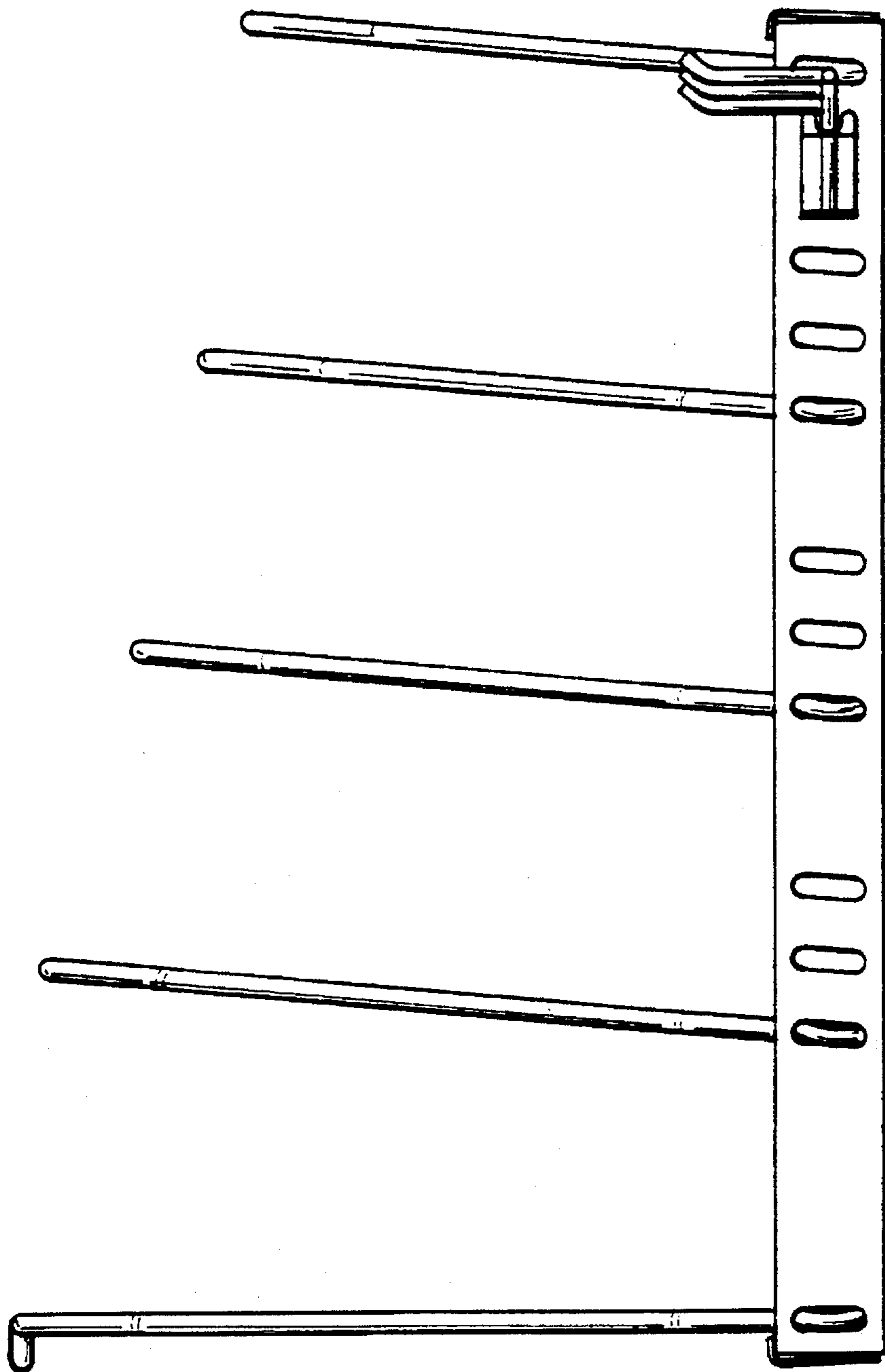


FIG . 5

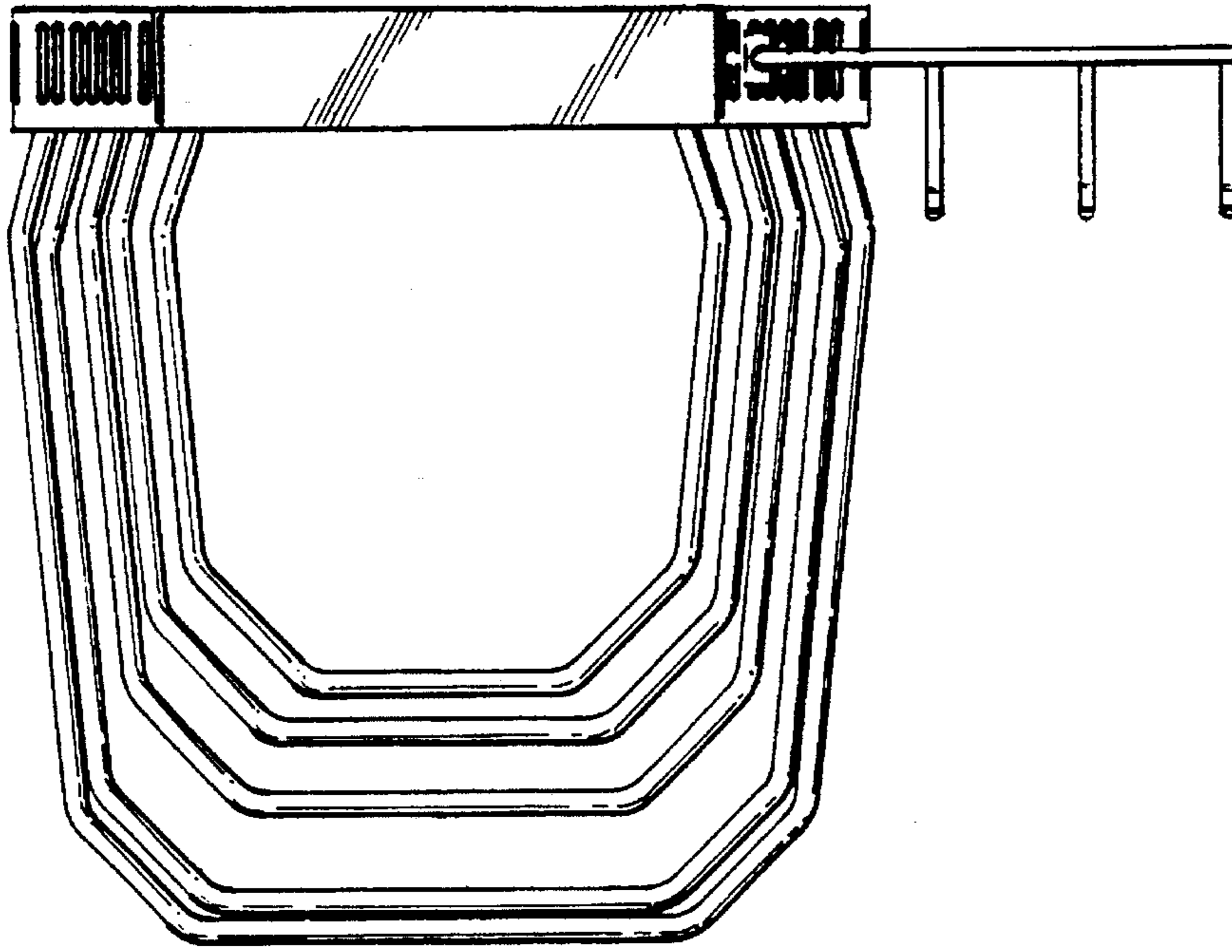


FIG . 6

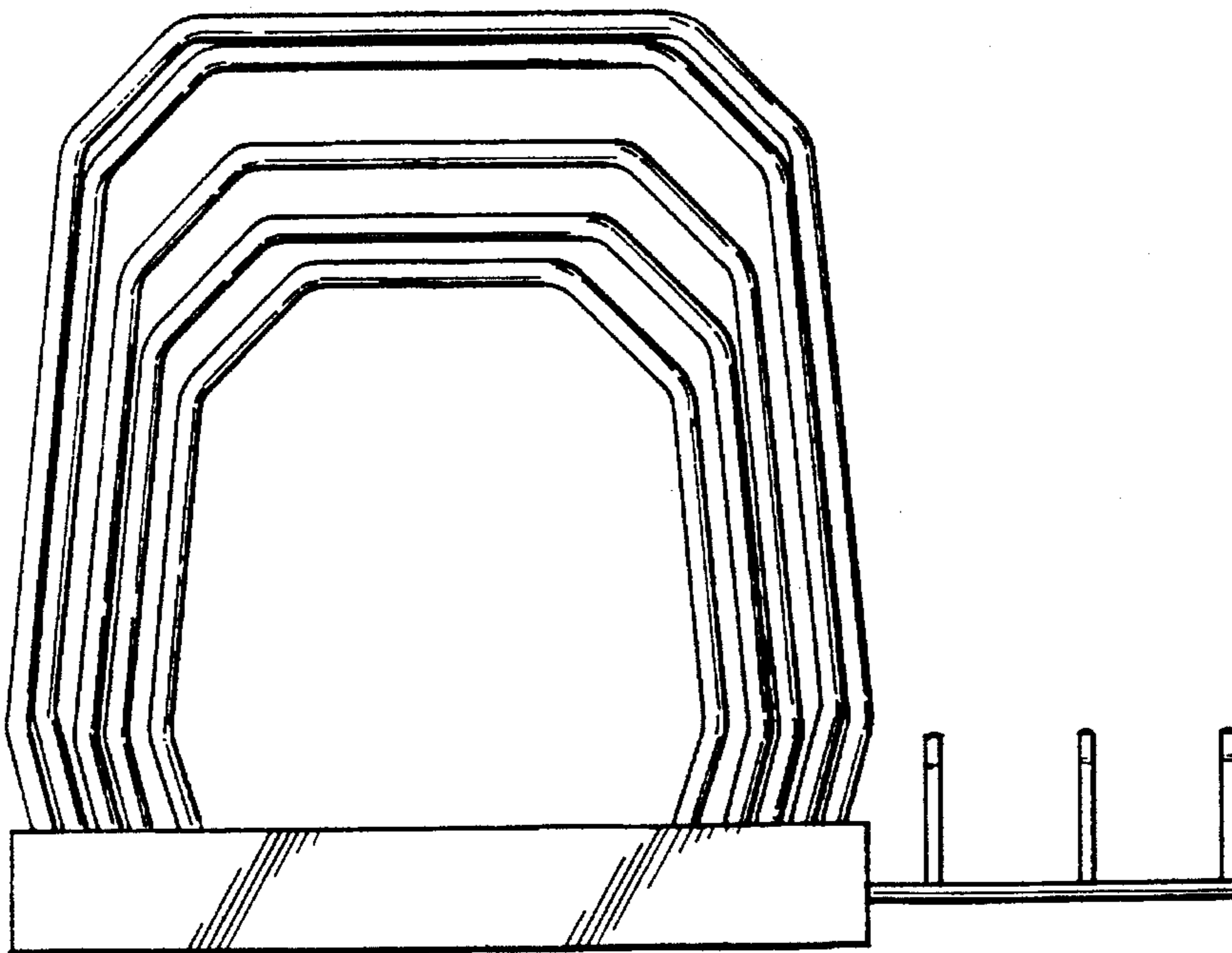


FIG . 7