



US00D364070S

United States Patent [19]

[11] Patent Number: **Des. 364,070**

Klein et al.

[45] Date of Patent: ****Nov. 14, 1995**

[54] **WIDE LOAF BREADMAKER**

[75] Inventors: **Annette T. Klein**, Jackson; **David C. Belongia**, West Bend, both of Wis.; **William C. Cesaroni**, Glenview, Ill.; **Shawn Barrett**, Grayslake, Ill.; **Steven Cozzolino**, Chicago, Ill.

[73] Assignee: **The West Bend Company**, West Bend, Wis.

[**] Term: **14 Years**

[21] Appl. No.: **26,542**

[22] Filed: **Aug. 1, 1994**

[52] U.S. Cl. **D7/350**

[58] Field of Search D7/347-348, 354, D7/360; 99/325, 341, 359, 467, 468, 348; 126/275 R, 275 E, 19 M, 21 R

[56] **References Cited**

U.S. PATENT DOCUMENTS

D. 310,615	9/1990	Kitai et al.	D7/348
D. 311,848	11/1990	Mikami et al.	D7/348
D. 314,687	2/1991	Kim	D7/350
D. 325,147	4/1992	Watanabe et al.	D7/348

D. 330,306	10/1992	Kim	D7/350
D. 341,515	11/1993	Hamada et al.	D7/350
D. 346,303	4/1994	Kaneko	D7/350
D. 351,759	10/1994	Maruyama et al.	D7/350
D. 354,195	1/1995	Kaneko	D7/350
D. 357,384	4/1995	Maeda et al.	D7/350
D. 358,061	5/1995	Duquaine et al.	D7/350
D. 358,291	5/1995	Lee	D7/350
D. 358,528	5/1995	Hyun	D7/350

Primary Examiner—Ruth McNroy
Attorney, Agent, or Firm—Jansson & Shupe, Ltd.

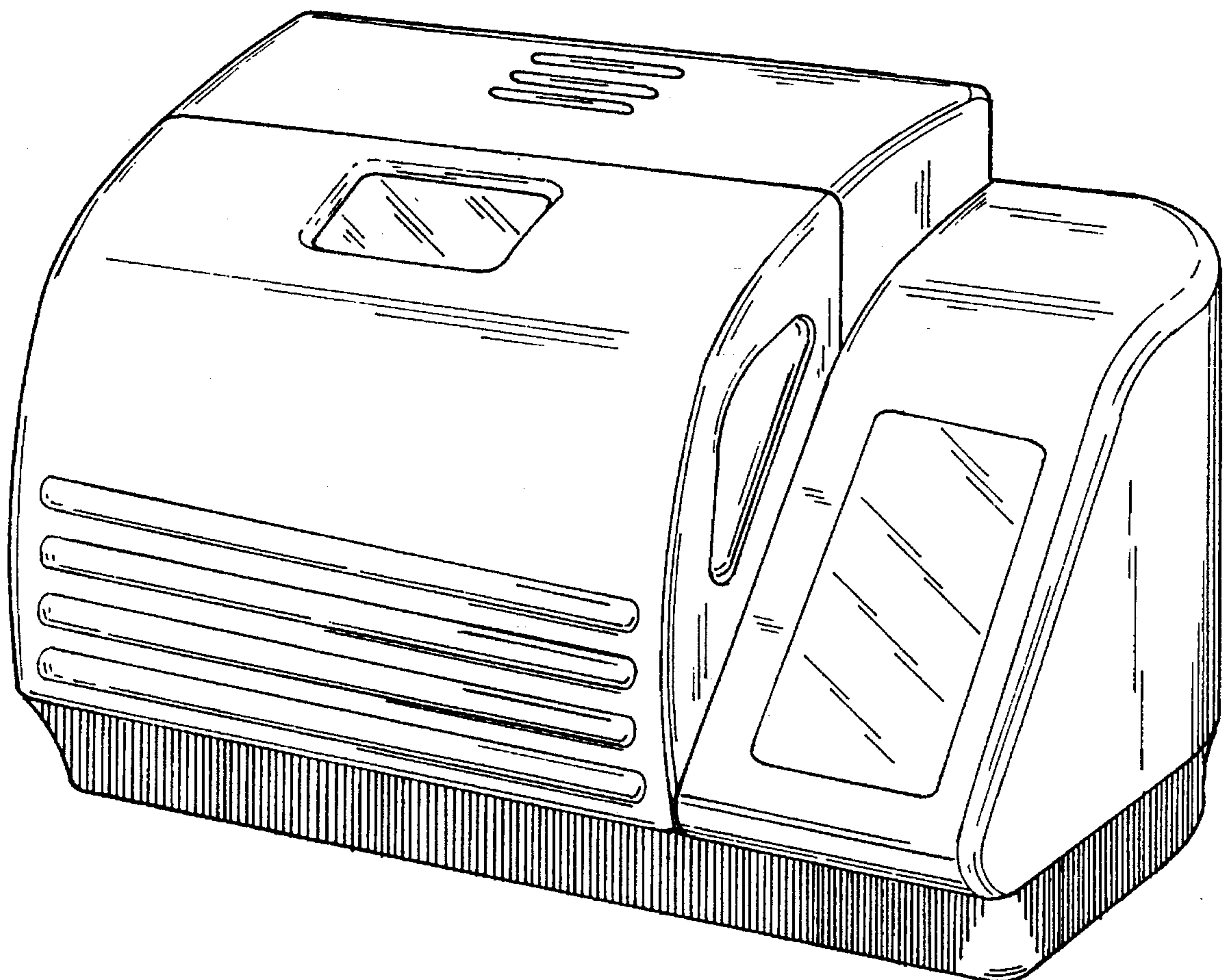
[57] **CLAIM**

The ornamental design for a wide loaf breadmaker, as shown.

DESCRIPTION

FIG. 1 is a front perspective view of a wide loaf breadmaker showing our new design;
FIG. 2 is a front elevational view thereof;
FIG. 3 is a top plan view thereof;
FIG. 4 is a rear elevational view thereof;
FIG. 5 is a right side elevational view thereof;
FIG. 6 is a left side elevational view thereof; and,
FIG. 7 is a bottom plan view thereof.

1 Claim, 3 Drawing Sheets



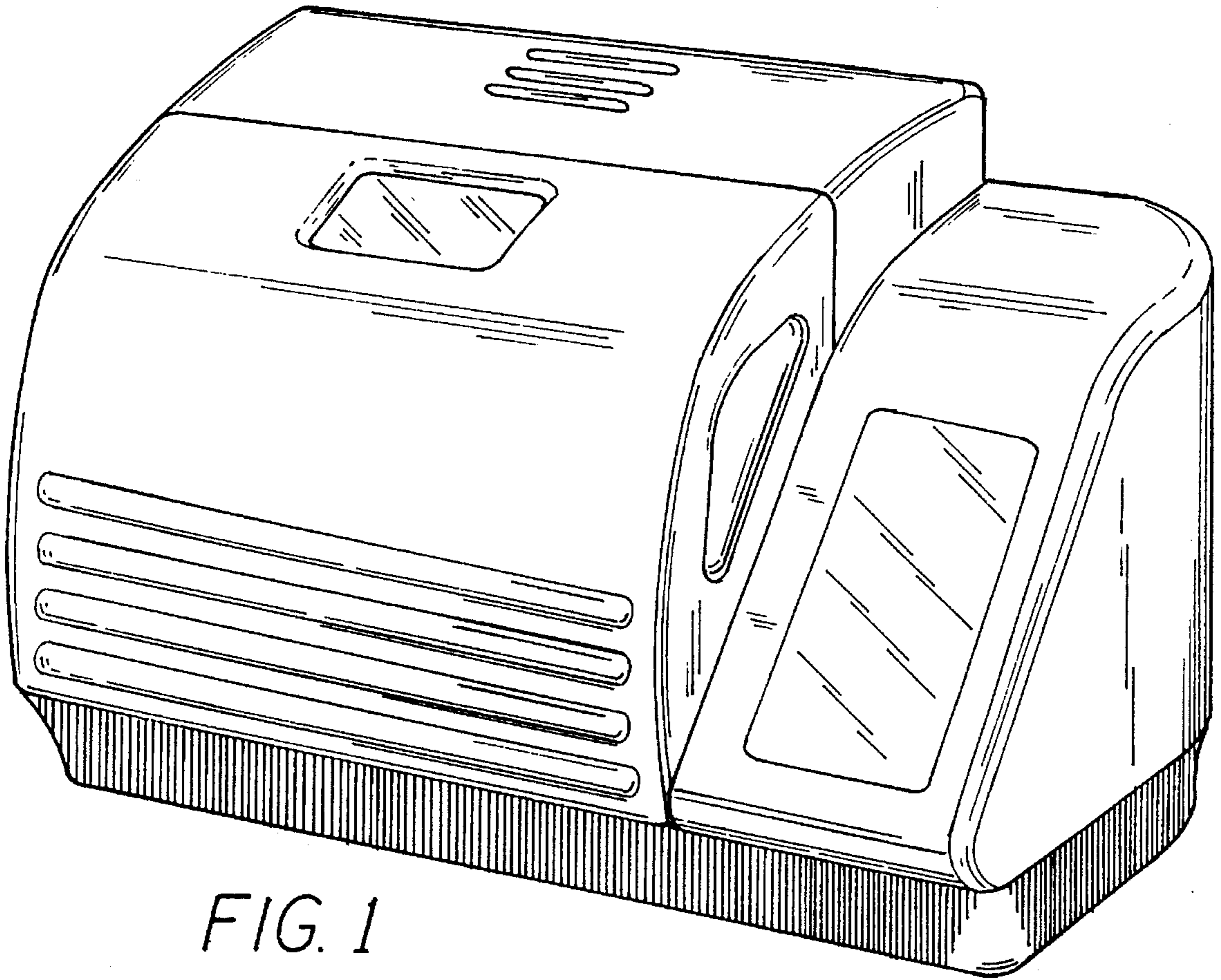


FIG. 1

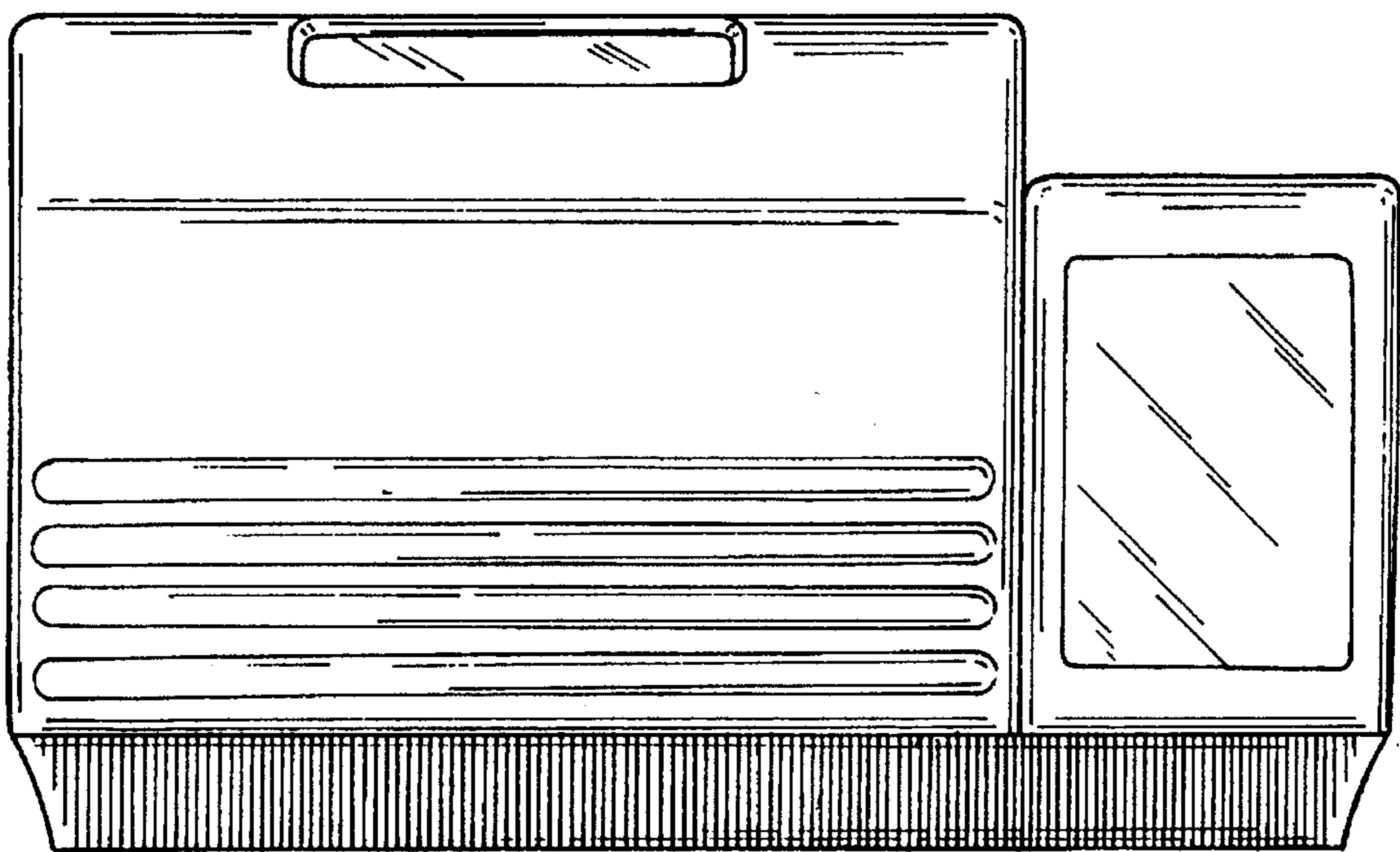


FIG. 2

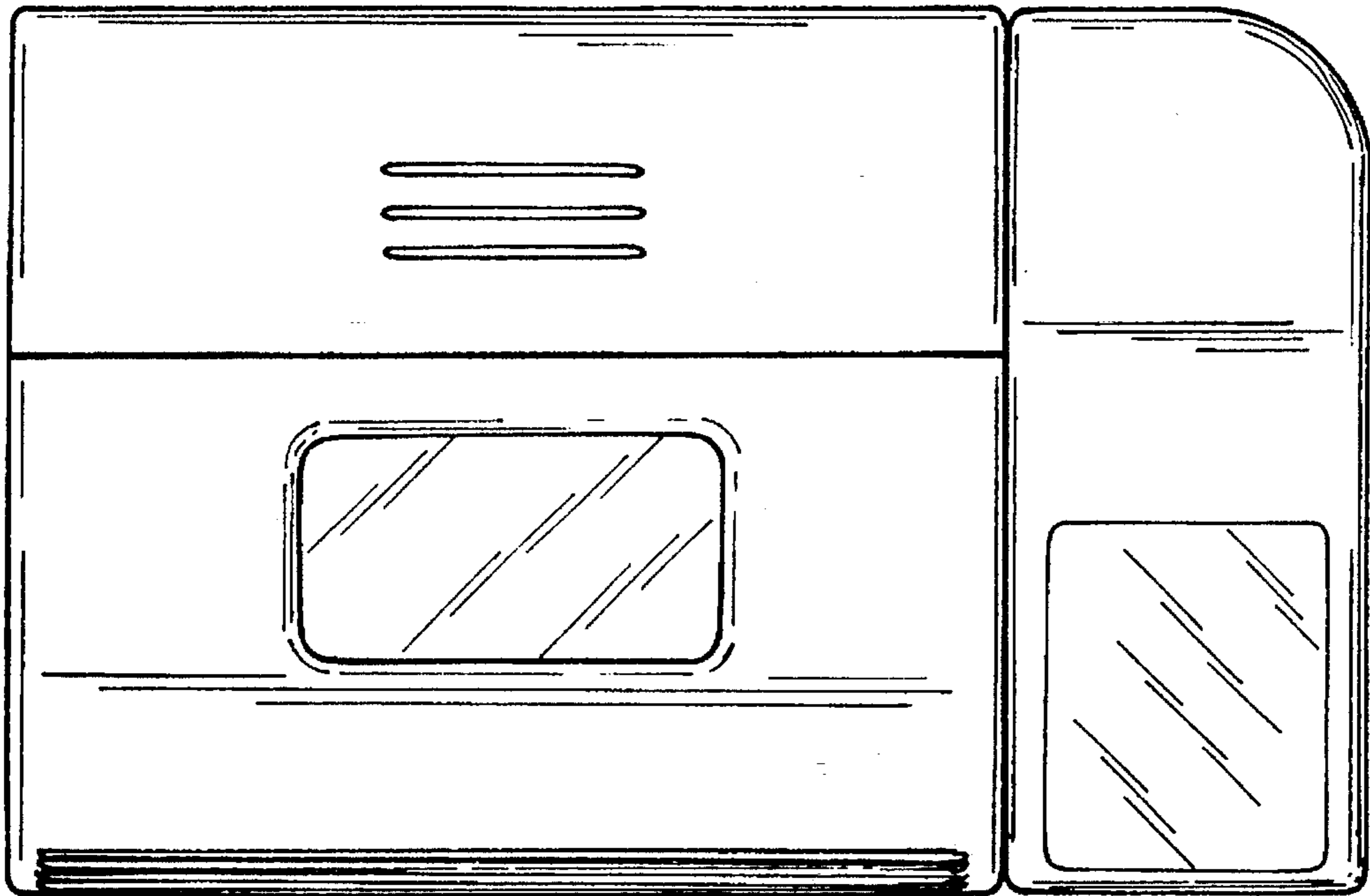


FIG. 3

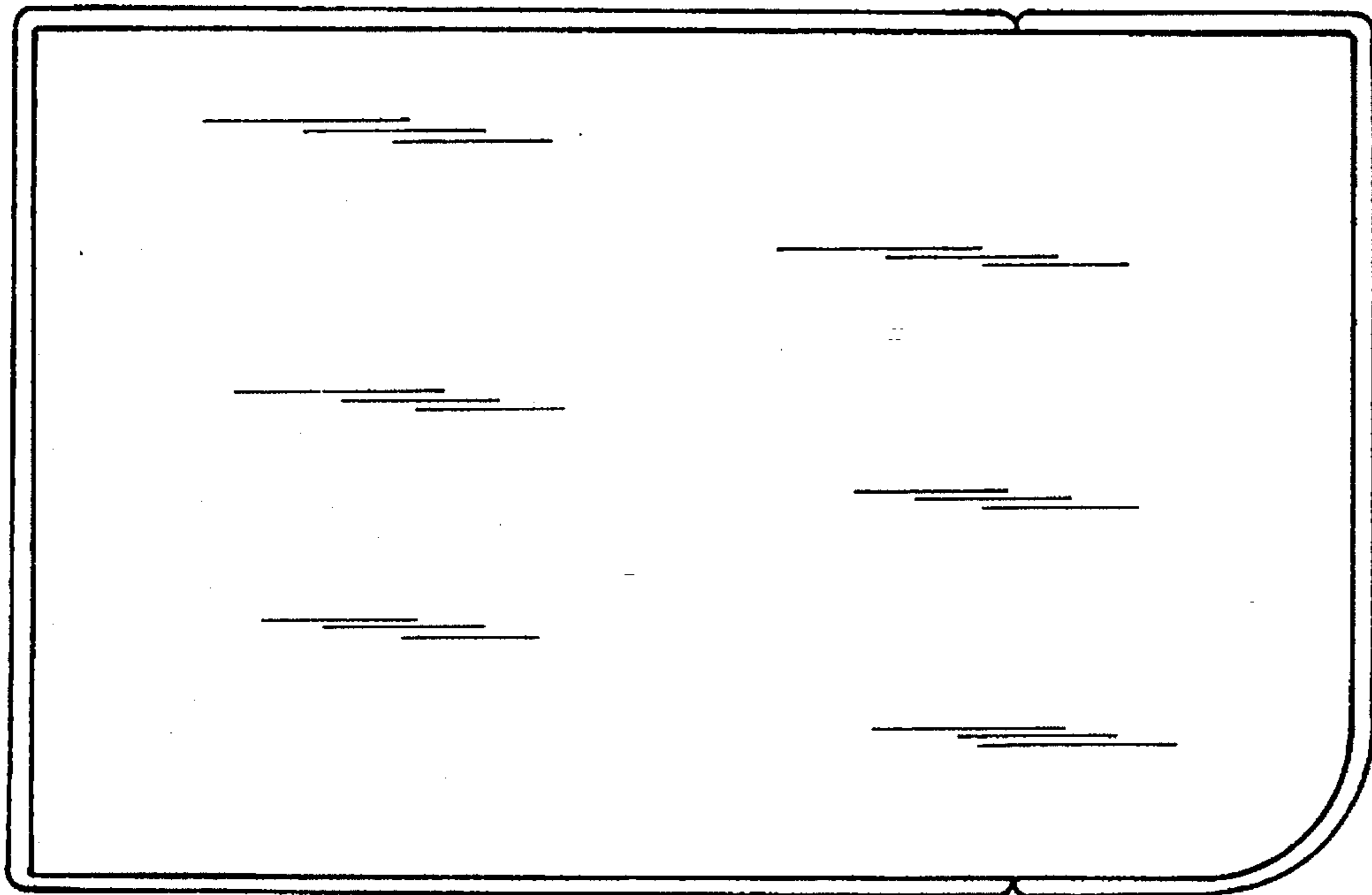


FIG. 7

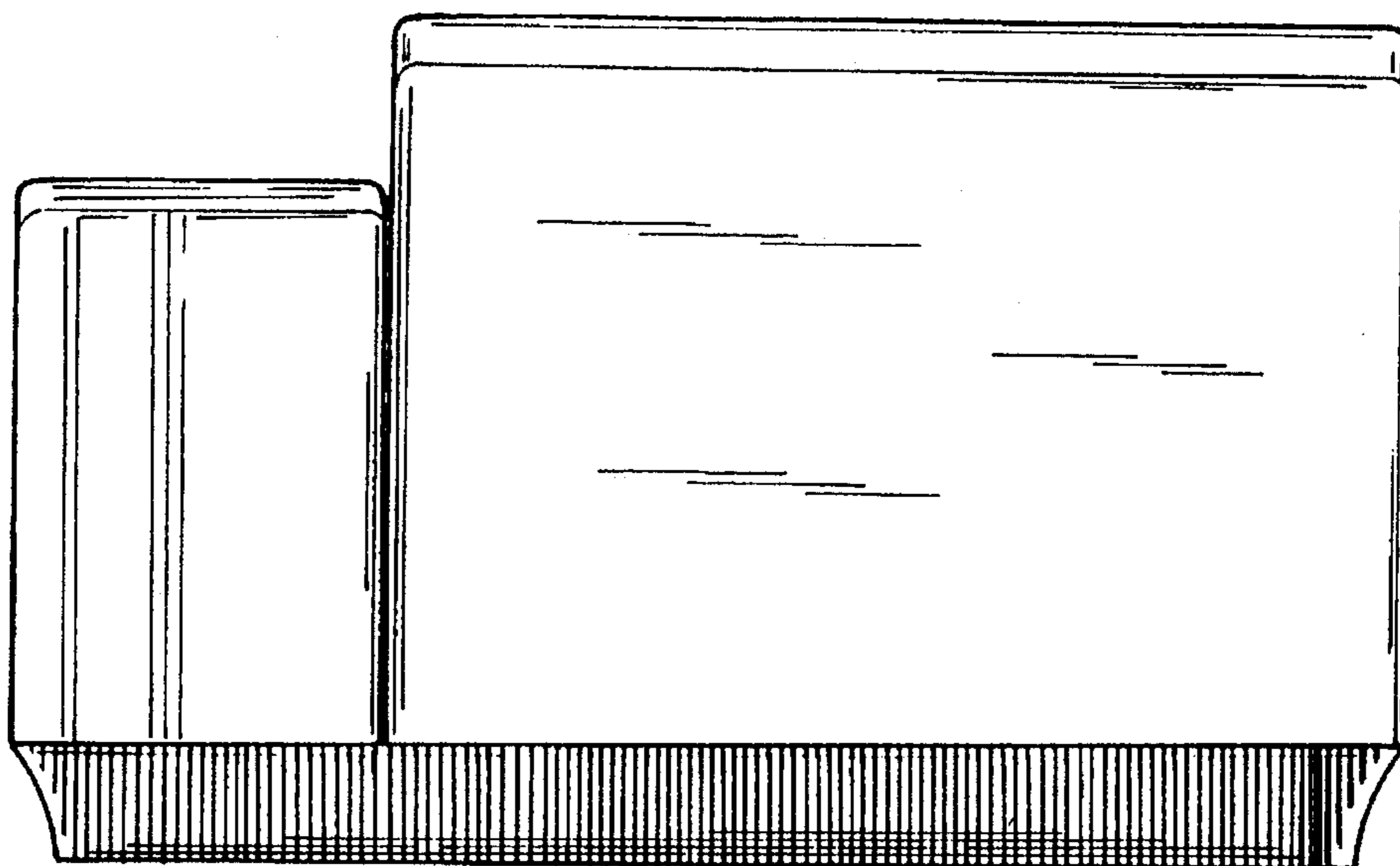


FIG. 4

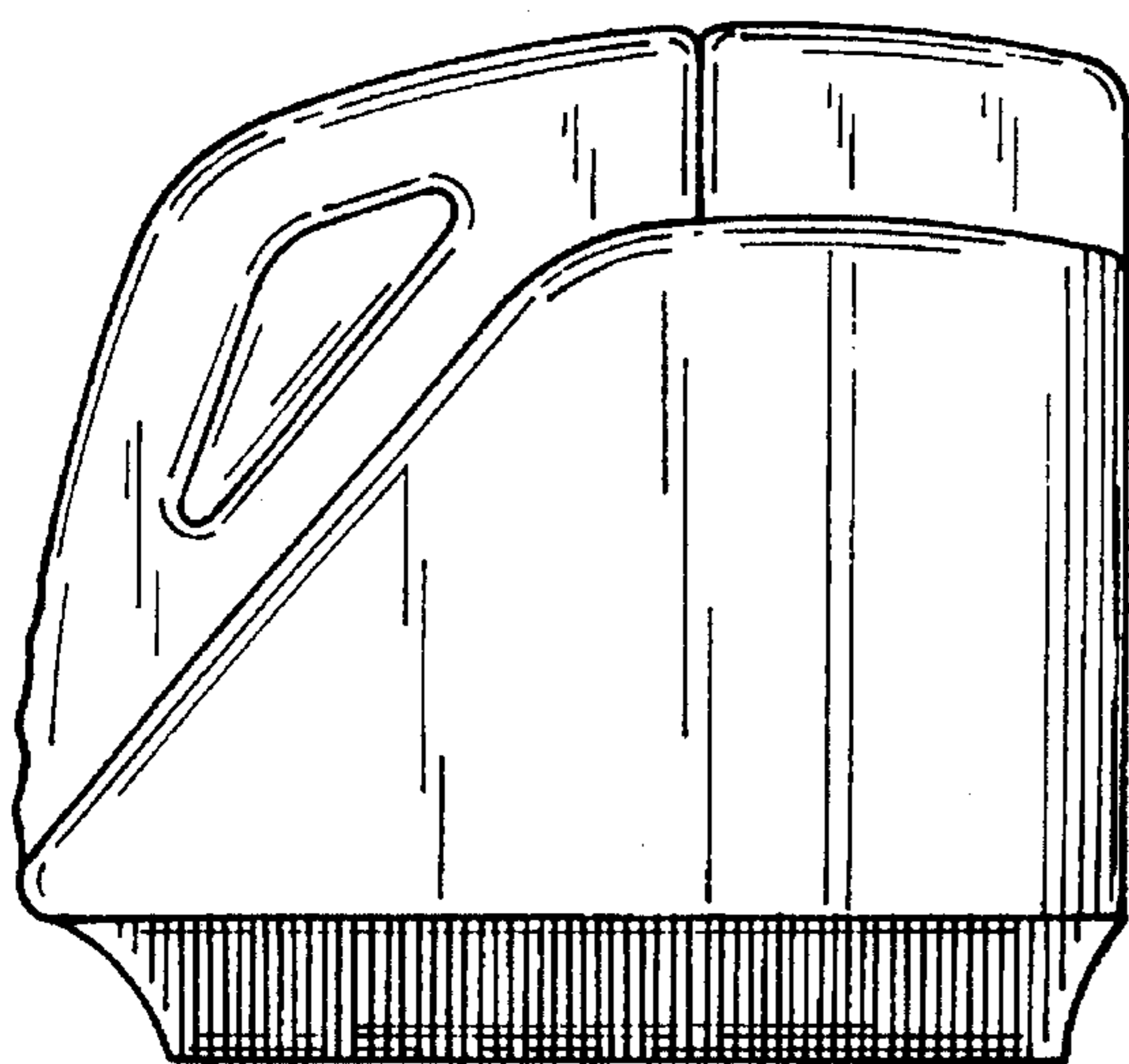


FIG. 5

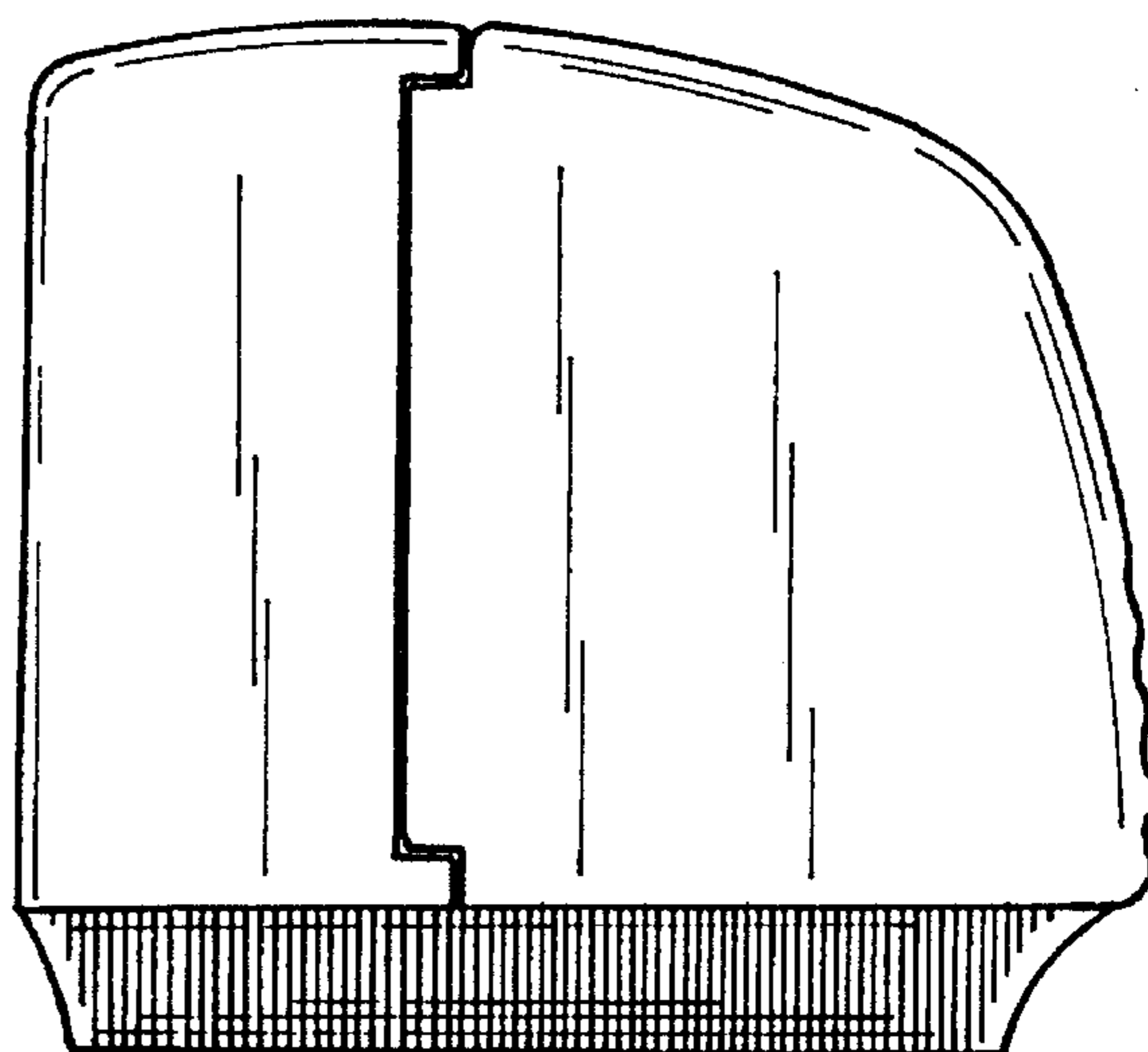


FIG. 6