



US00D364062S

# United States Patent [19]

Garcia

[11] Patent Number: **Des. 364,062**

[45] Date of Patent: **\*\*Nov. 14, 1995**

[54] **TOOTHPASTE TUBE ROLLUP DEVICE**

[76] Inventor: **Joe C. Garcia**, 249 Spring St., Clyde, Ohio 43410

[\*\*] Term: **14 Years**

[21] Appl. No.: **22,198**

[22] Filed: **Apr. 29, 1994**

[52] U.S. Cl. .... **D6/541**

[58] Field of Search ..... **D6/541; 222/95-96, 222/98, 99, 101, 103; 206/277**

[56] **References Cited**

**U.S. PATENT DOCUMENTS**

D. 274,772 7/1984 Obland ..... D6/541

D. 331,364 12/1992 Barker et al. .... D6/541  
D. 351,961 11/1994 Bergamo ..... D6/541

*Primary Examiner*—Brian N. Vinson  
*Attorney, Agent, or Firm*—Jerry Semer

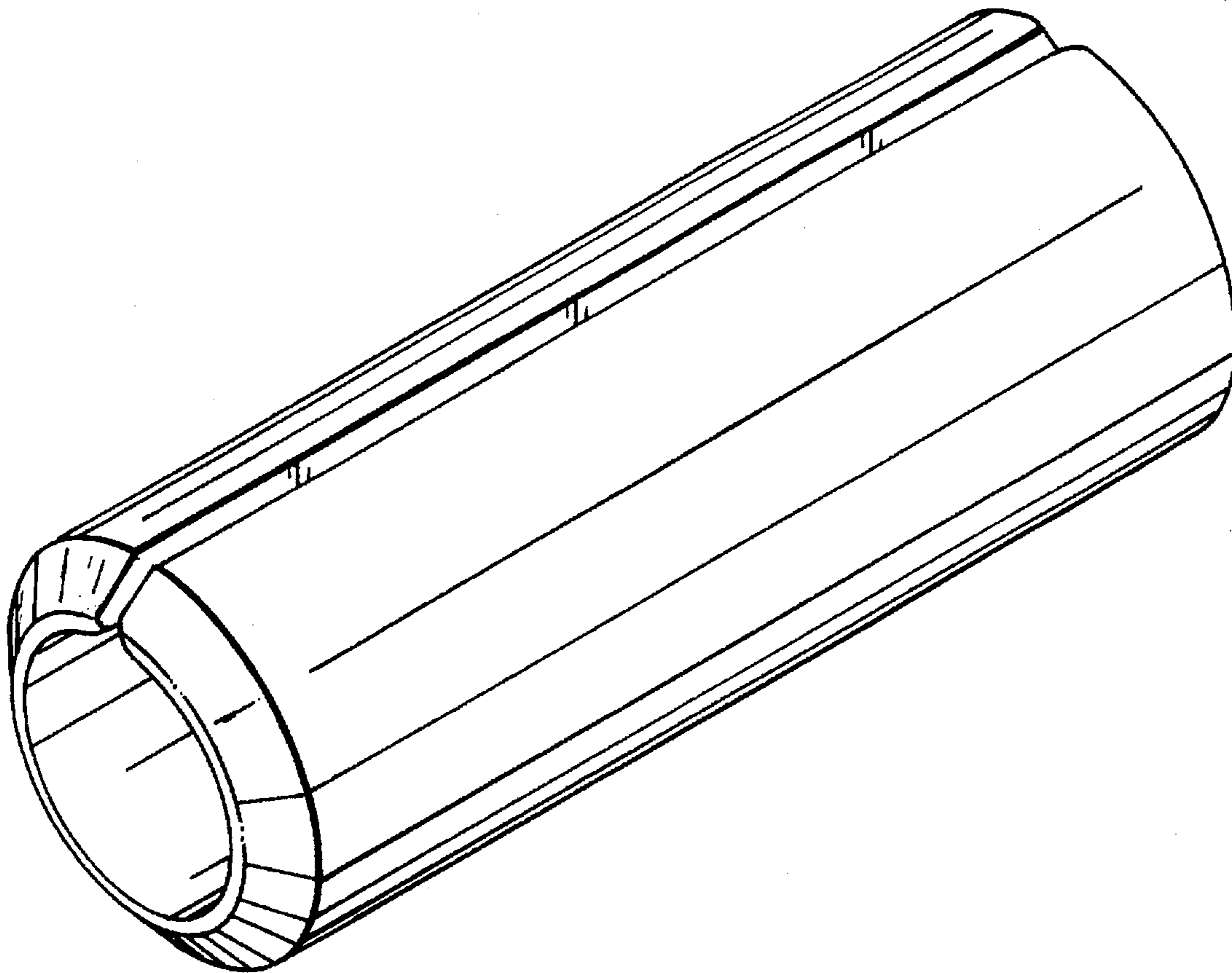
[57] **CLAIM**

The ornamental design for a toothpaste tube rollup device, as shown described.

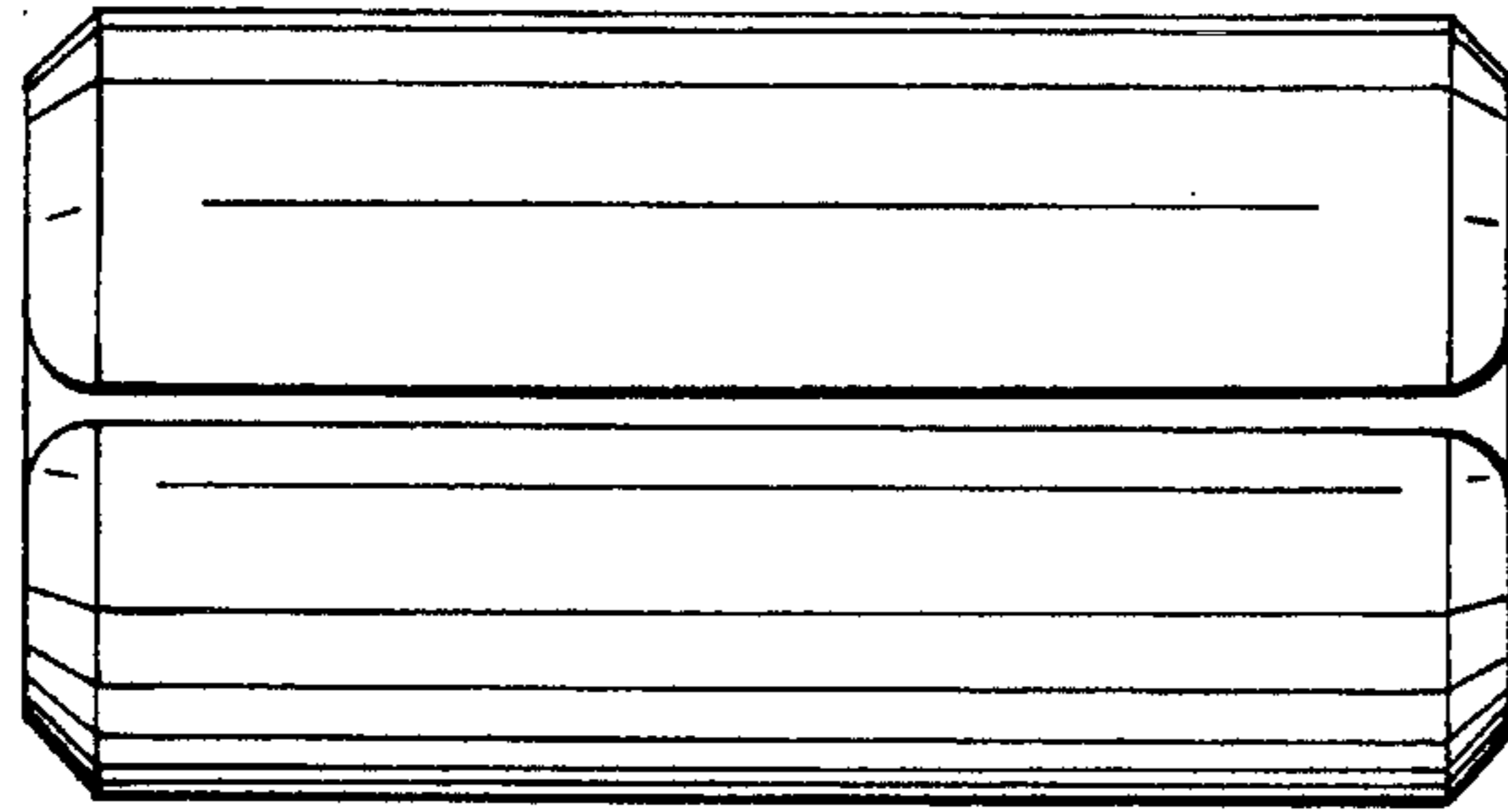
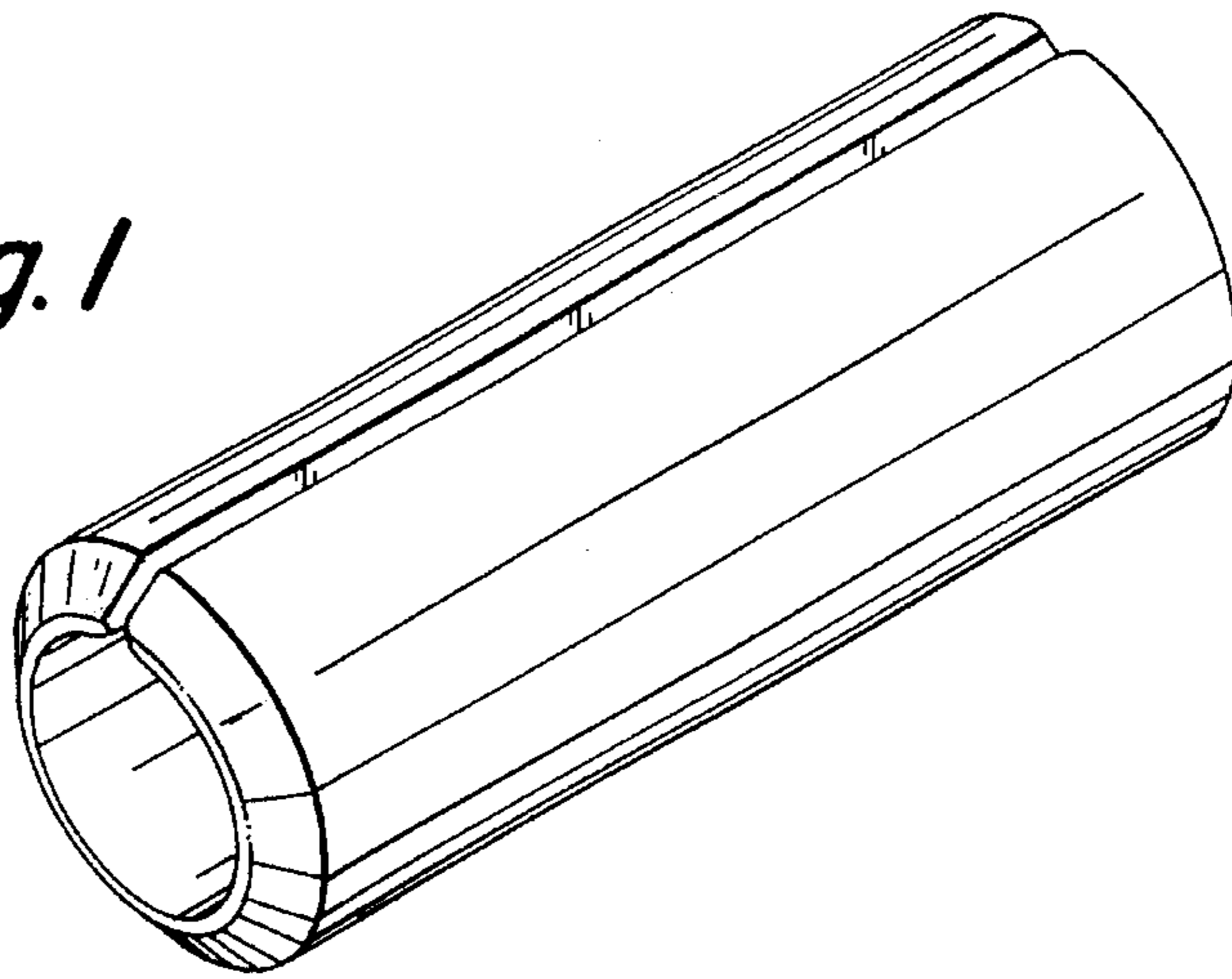
**DESCRIPTION**

FIG. 1 is a perspective view;  
FIG. 2 is a top plan view;  
FIG. 3 is a bottom plan view; and,  
FIG. 4 is the end view.

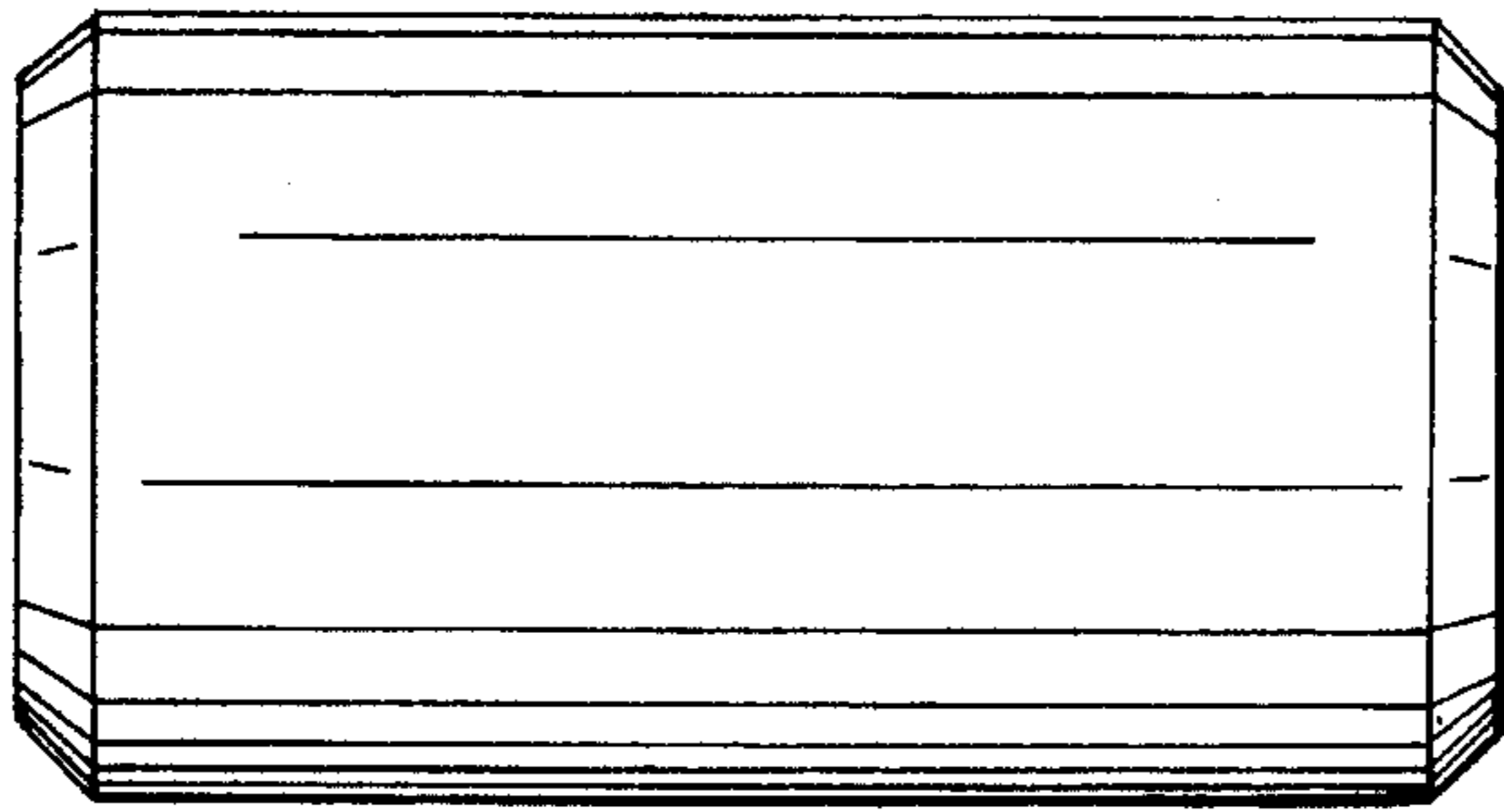
**1 Claim, 1 Drawing Sheet**



*Fig. 1*



*Fig. 2*



*Fig. 3*

*Fig. 4*

