



US00D364054S

United States Patent [19]

Weber

[11] Patent Number: Des. 364,054

[45] Date of Patent: **Nov. 14, 1995

[54] ENTERTAINMENT CENTER

[76] Inventor: **Debbie A. Weber**, P.O. Box 80731, Albuquerque, N.M. 87198

[**] Term: **14 Years**

[21] Appl. No.: **18,982**

[22] Filed: **Feb. 18, 1994**

[52] U.S. Cl. **D6/474**

[58] Field of Search D6/396, 399, 429, D6/449, 450, 451, 466-469, 473-476; 248/127, 129

[56] References Cited

U.S. PATENT DOCUMENTS

D. 172,804	8/1954	Rasmussen	D6/451	X
D. 253,562	12/1979	Evans	D6/468	
2,115,962	5/1938	Orme	248/127	X

Primary Examiner—Alan P. Douglas
Assistant Examiner—S. Snapp
Attorney, Agent, or Firm—Deborah A. Peacock

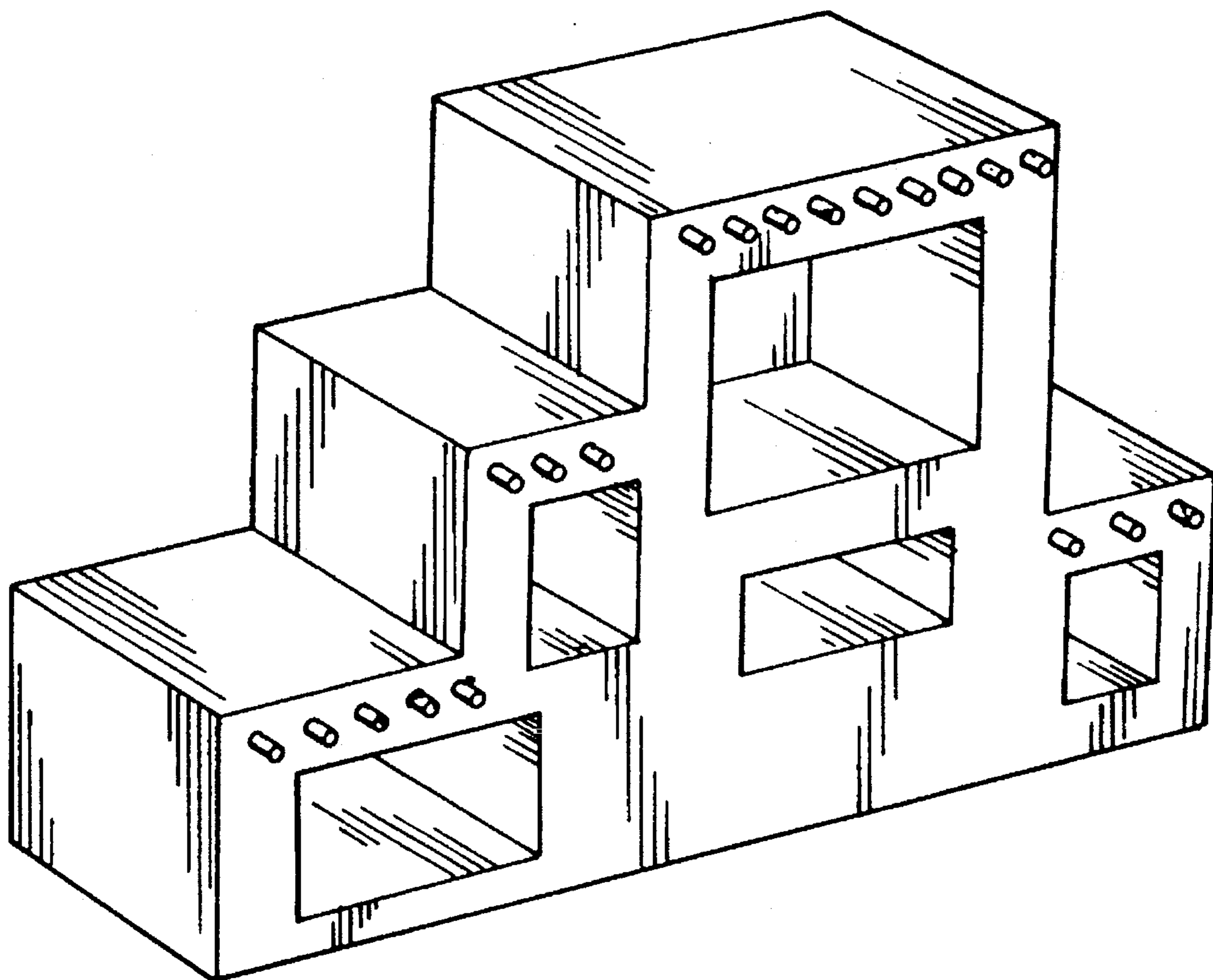
[57] CLAIM

The ornamental design for an entertainment center, as shown and described.

DESCRIPTION

FIG. 1 is a left side perspective view of the entertainment center embodying my new design; FIG. 2 is a top view thereof; FIG. 3 is a left side view thereof; FIG. 4 is a front view thereof; FIG. 5 is a right side view thereof; FIG. 6 is a rear view thereof; and, FIG. 7 is a bottom view thereof.

1 Claim, 2 Drawing Sheets



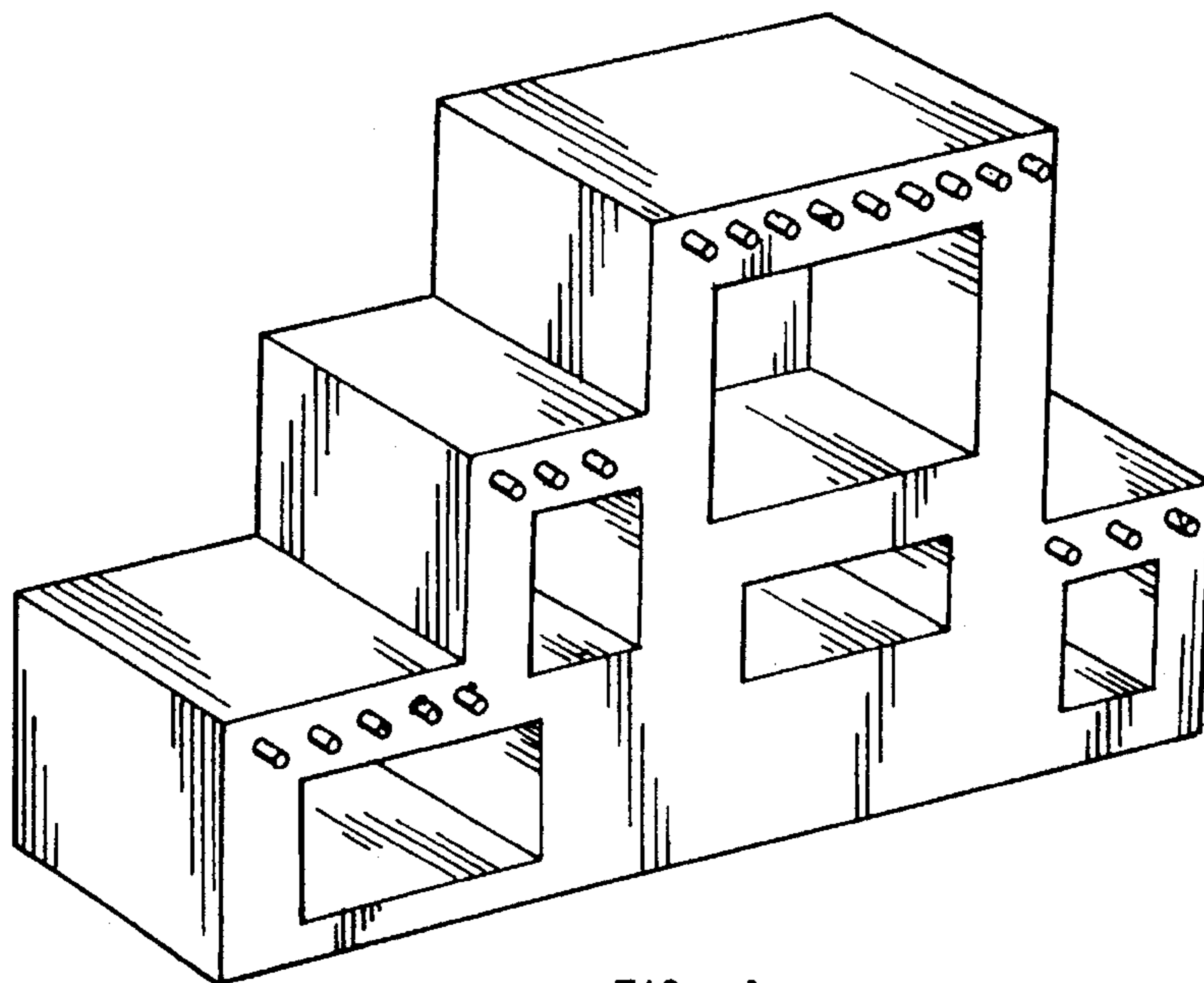


FIG-1

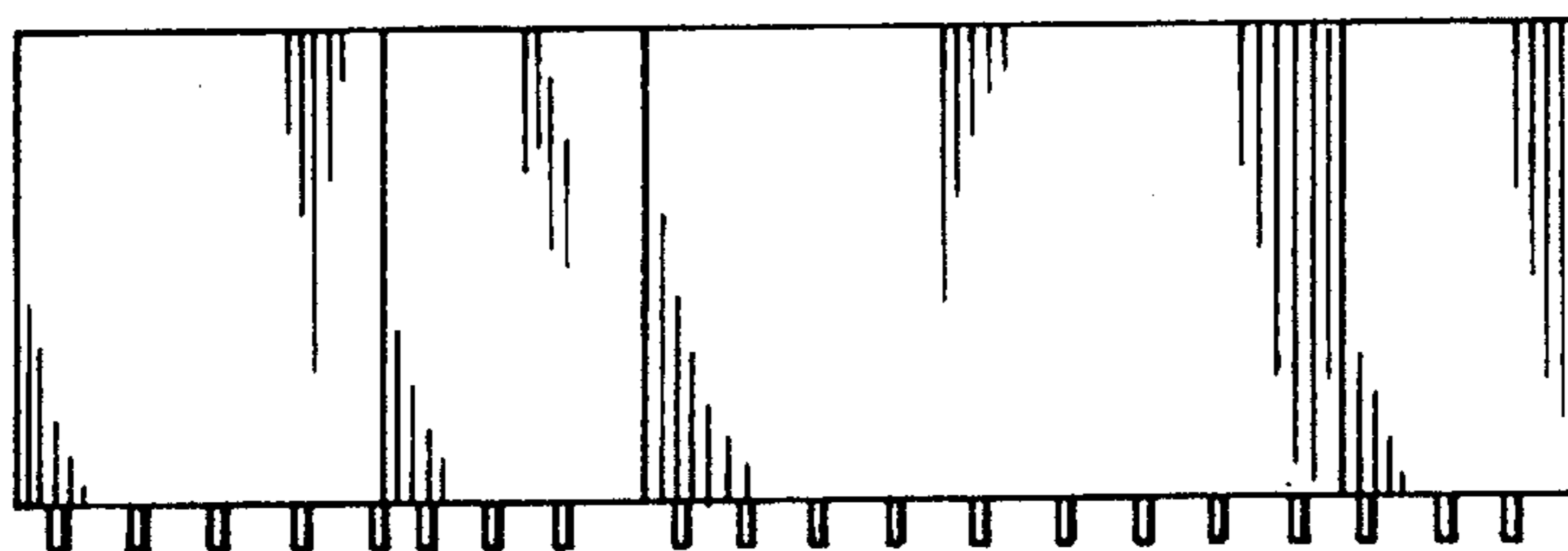


FIG-2

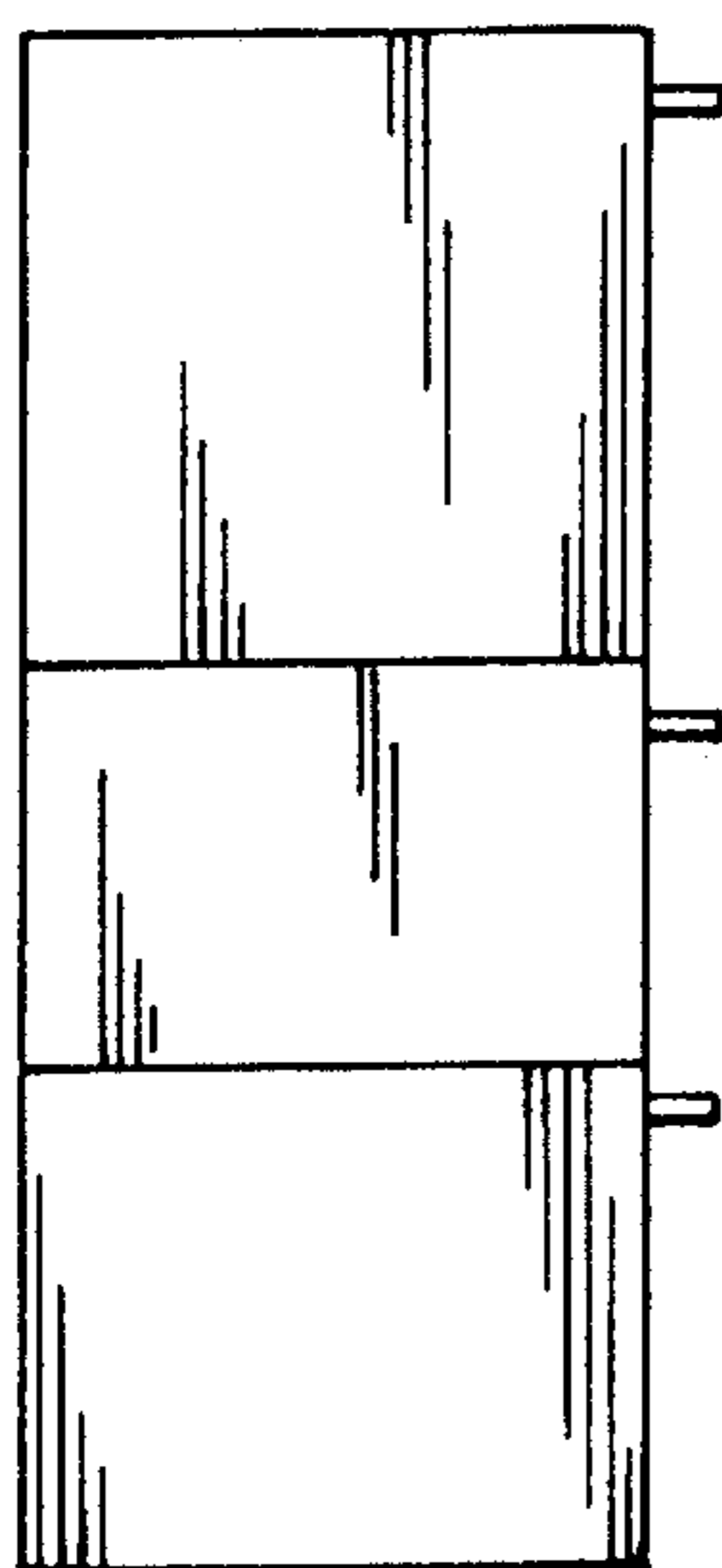


FIG-3

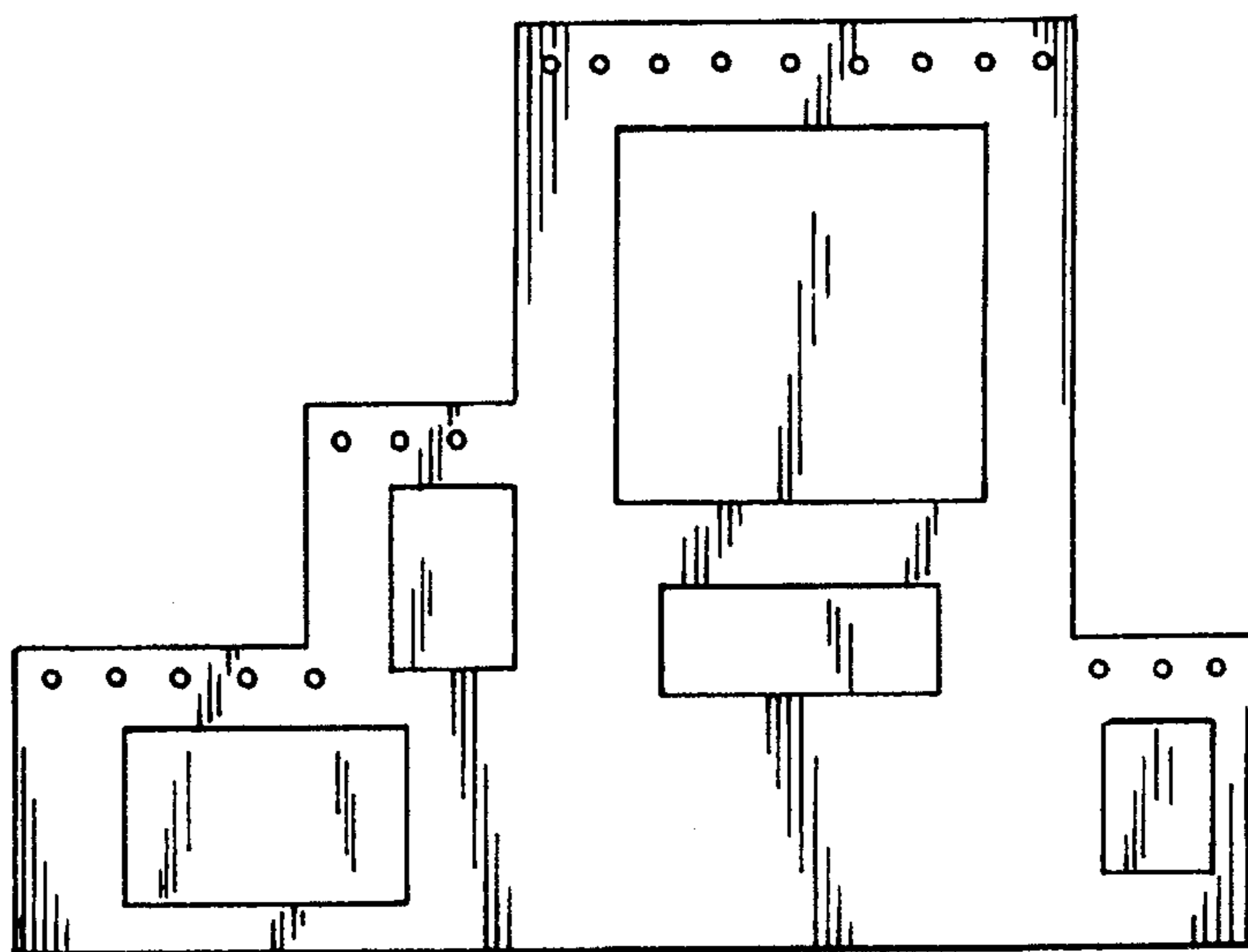


FIG-4

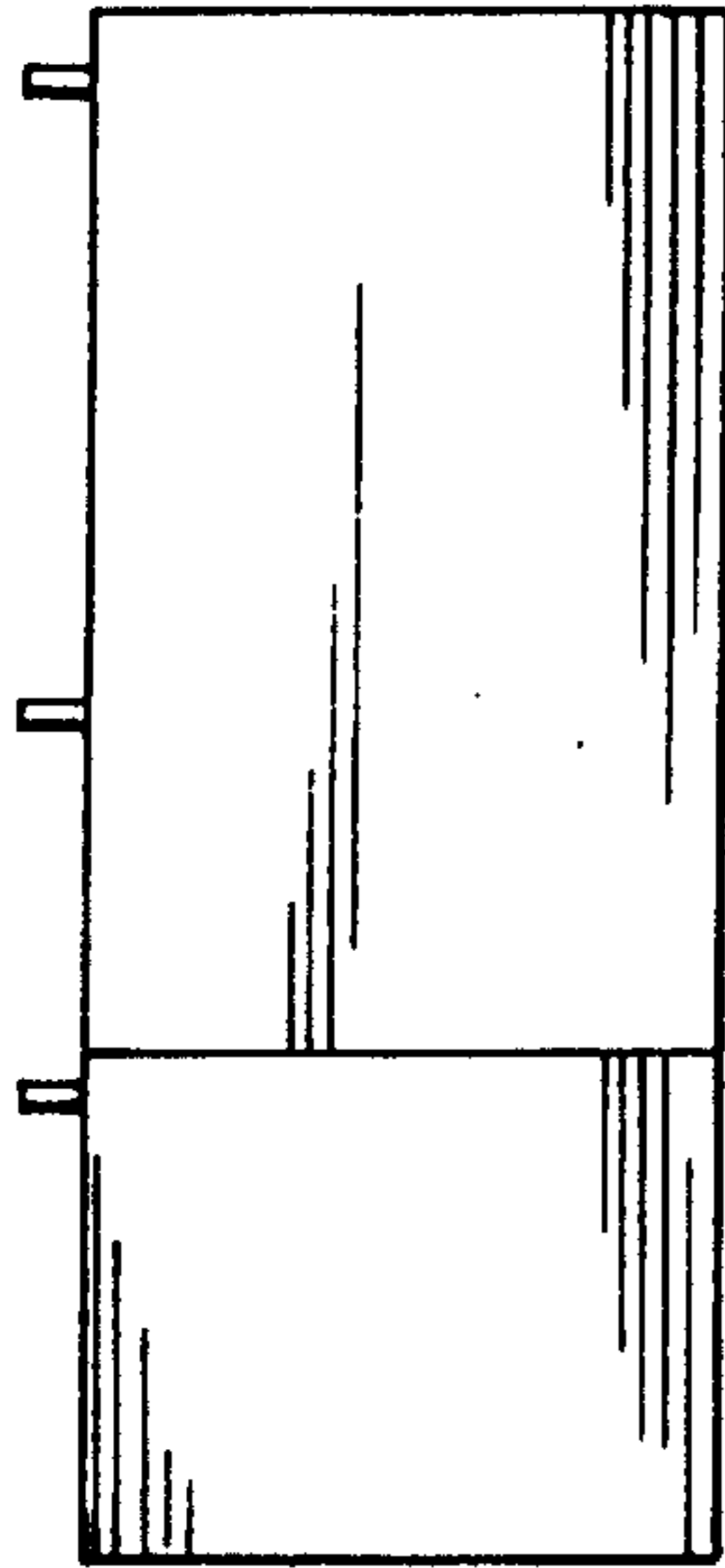


FIG-5

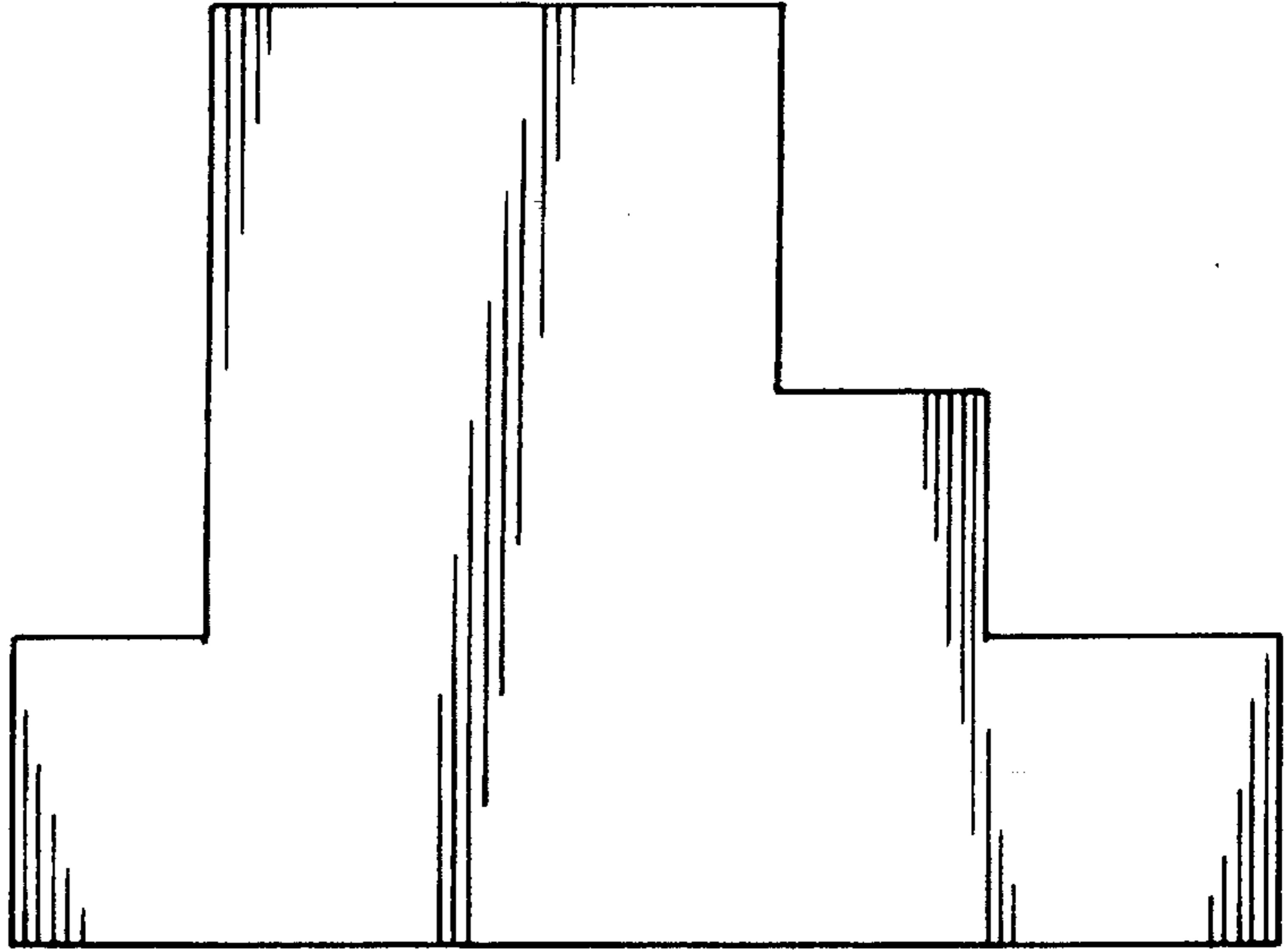


FIG-6

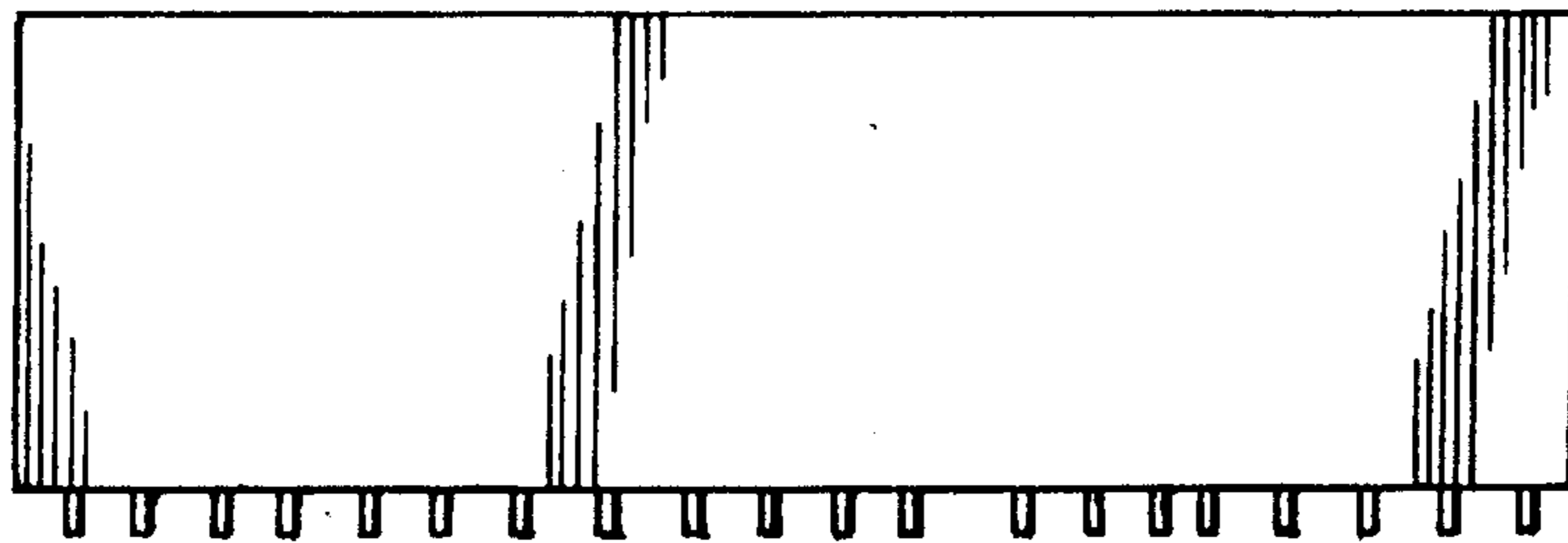


FIG-7