



US00D364050S

# United States Patent [19]

[11] Patent Number: **Des. 364,050**

**Paus**

[45] Date of Patent: **\*\*Nov. 14, 1995**

[54] TABLE

[75] Inventor: **Michael J. Paus**, High Point, N.C.

[73] Assignee: **Universal Furniture Industries, Inc.**,  
High Point, N.C.

[\*\*] Term: **14 Years**

[21] Appl. No.: **20,405**

[22] Filed: **Mar. 24, 1994**

[52] U.S. Cl. .... **D6/436**

[58] Field of Search ..... D6/432-448, 480,  
D6/484, 487; 312/204

cocktail table #3307-41 on page.

*Ethan Allan* ©1979, p. 371, rectangular end table #13-8512  
last column second from top.

*Primary Examiner*—Carmen H. Vales-Lado  
*Attorney, Agent, or Firm*—Edgar A. Zarins; Malcolm L.  
Sutherland

## [57] CLAIM

The ornamental design for a table, as shown and described.

## DESCRIPTION

FIG. 1 is a right perspective view of a table showing my new design; the left side being a mirror image thereof;

FIG. 2 is a front elevational view thereof;

FIG. 3 is a top plan view thereof; and,

FIG. 4 is a rear elevational view thereof.

## [56] References Cited

### U.S. PATENT DOCUMENTS

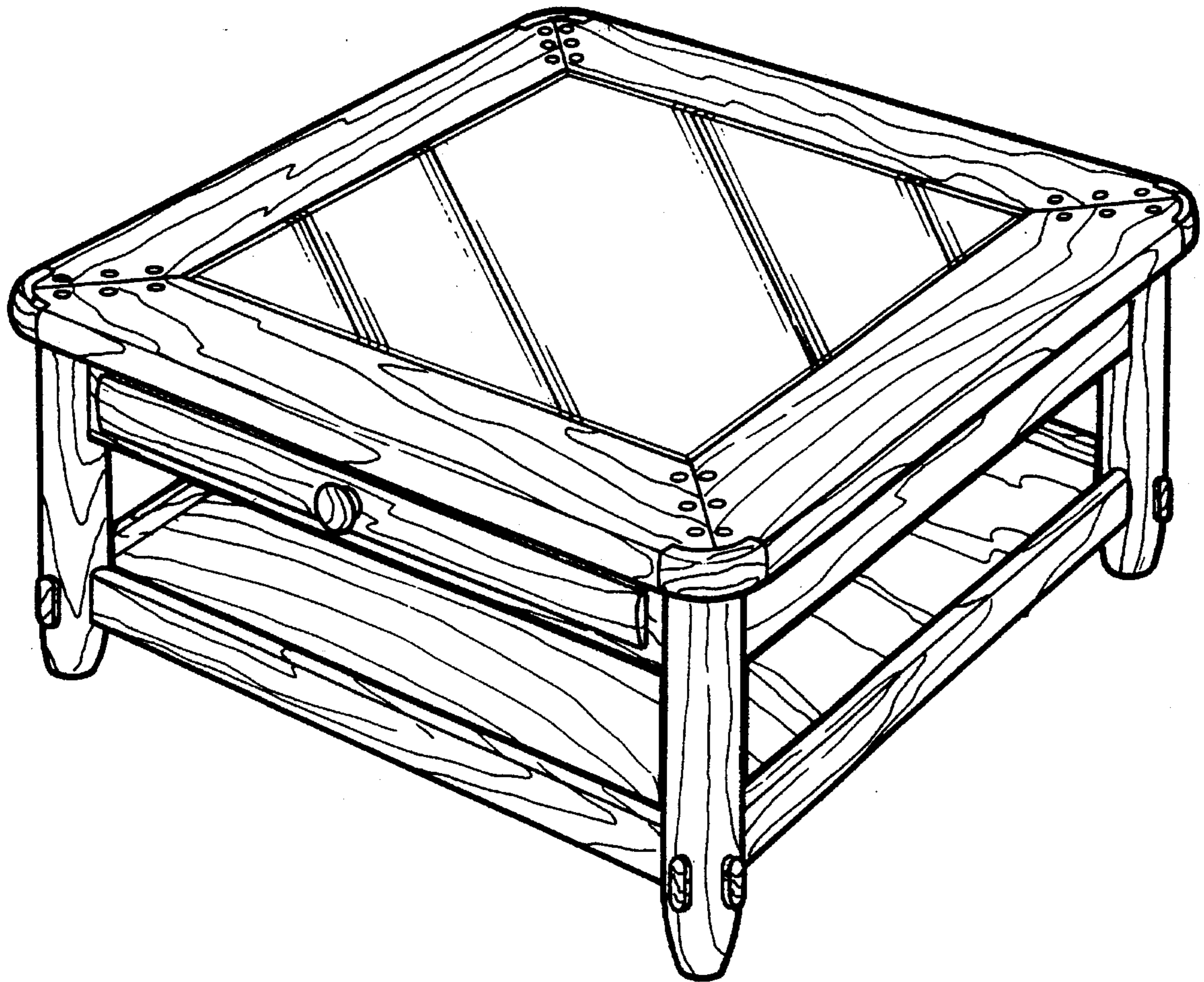
D. 317,837 7/1991 Grey ..... D6/436

### OTHER PUBLICATIONS

“Renaissance” by American by Martinsville May 11, 1983;  
end table #2756-602 on page.

Progressive Furniture Inc. ©1991; “yesteryear II” square

**1 Claim, 2 Drawing Sheets**



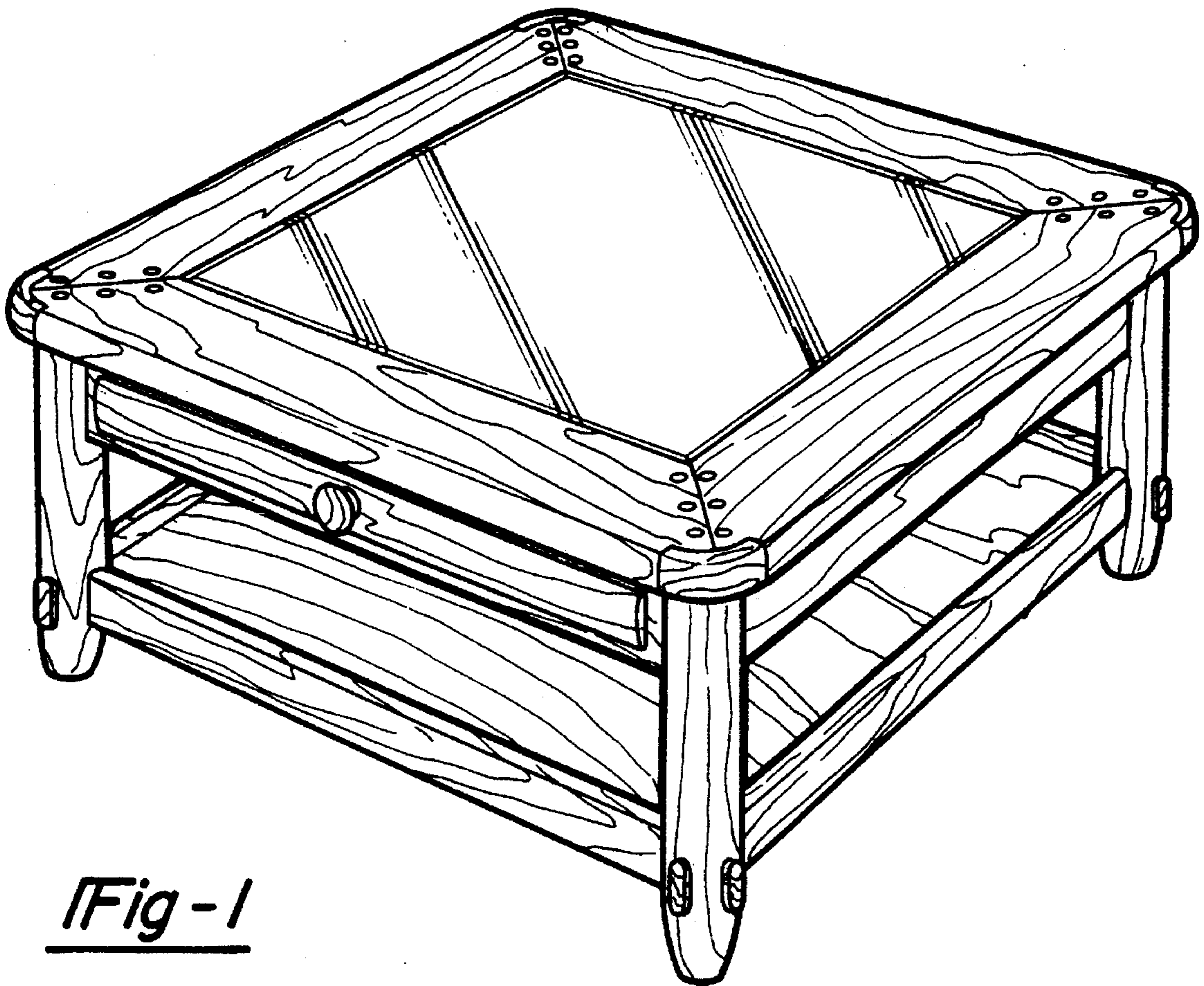


Fig-1

Fig-2

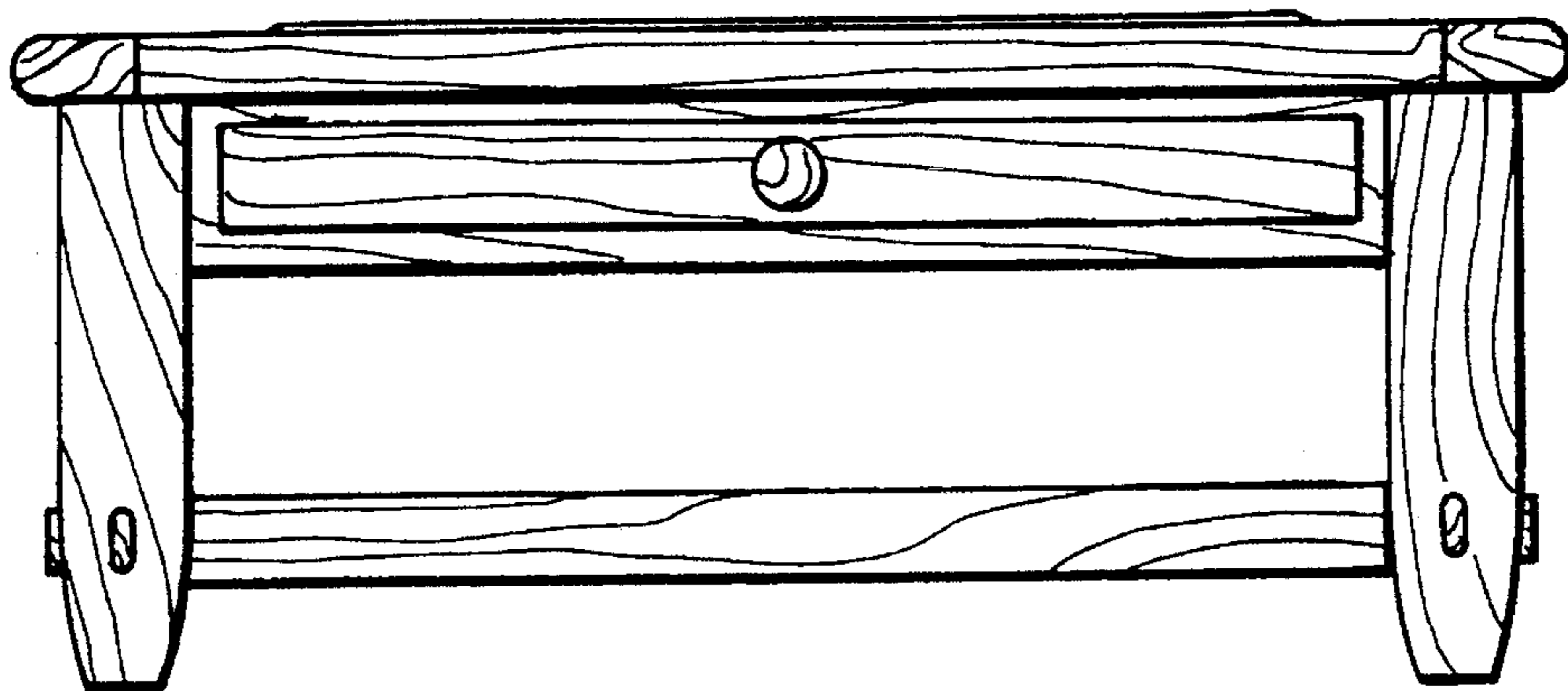


Fig - 3

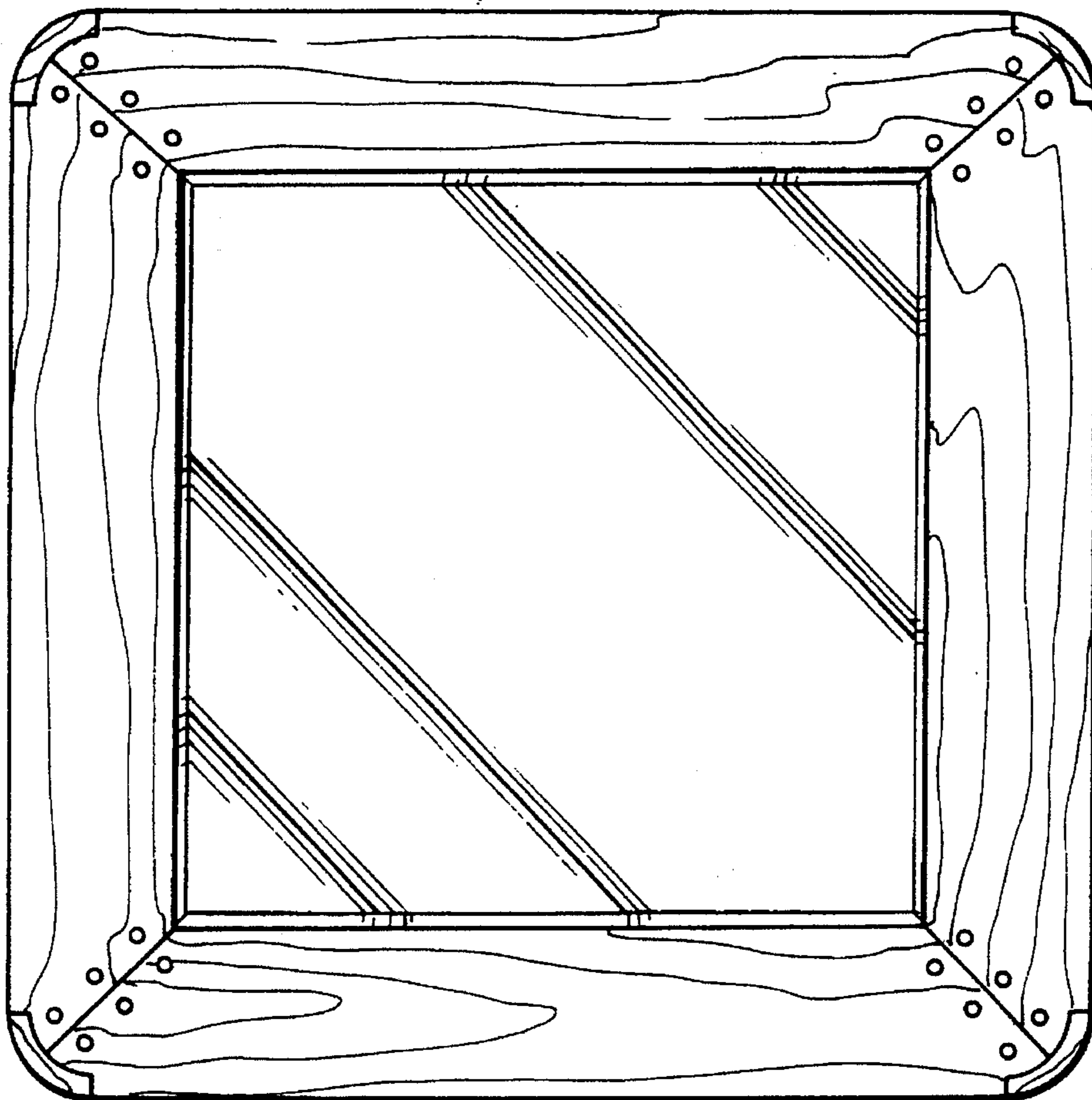


Fig - 4

