



US00D364049S

United States Patent [19]

Lechman

[11] Patent Number: **Des. 364,049**

[45] Date of Patent: ****Nov. 14, 1995**

- [54] INSTRUCTOR PODIUM
- [75] Inventor: **John N. Lechman**, Effingham, Ill.
- [73] Assignee: **Nova Solutions, Inc.**, Effingham, Ill.
- [**] Term: **14 Years**
- [21] Appl. No.: **24,148**
- [22] Filed: **Jun. 9, 1994**
- [52] U.S. Cl. **D6/419; D16/232; D6/397**
- [58] Field of Search **D6/396, 397, 399, D6/419-428, 449; D16/232, 233, 235; 312/9.1**

2,856,252	10/1958	Herring .	
3,367,290	2/1968	Barecki	108/50
3,373,703	3/1968	Barecki	108/50
4,755,009	7/1988	Price et al. .	
5,087,010	2/1992	Walters .	
5,290,099	3/1994	Lechman .	

OTHER PUBLICATIONS

Equipto Electronic Corp., inside front cover (Undated).
Business & Institutional, Apr. 3, 1986, p. 15, Workstation shown at "A", top right on page.

Primary Examiner—Alan P. Douglas
Assistant Examiner—Cathron B. Matta
Attorney, Agent, or Firm—Olson & Hierl, Ltd.

[56] References Cited

U.S. PATENT DOCUMENTS

Re. 34,266	6/1993	Schairbaum .	
D. 149,527	5/1948	Thomas .	
D. 178,427	7/1956	Ritzerfeld .	
D. 187,164	2/1960	Fitzgerald	D16/232
D. 208,709	9/1967	Barecki	D6/397
D. 250,380	11/1978	Verdesca et al. .	
D. 258,789	4/1981	Verdesca .	
D. 259,376	6/1981	Verdesca .	
D. 270,025	8/1983	Koves .	
D. 278,956	5/1985	Gordon .	
D. 284,147	6/1986	Gordon .	
D. 327,791	7/1992	Lechman .	
D. 329,551	9/1992	Lechman .	
D. 335,047	4/1993	Lechman et al. .	
D. 335,591	5/1993	Lechman .	
D. 335,782	5/1993	Lechman et al. .	
D. 342,396	12/1993	Lechman et al. .	
D. 346,913	5/1994	Lechamn et al. .	

[57] CLAIM

The ornamental design for an instructor podium, as shown and described.

DESCRIPTION

FIG. 1 is a perspective view of one embodiment of an instructor podium showing my new design;
 FIG. 2 is a back side elevational view of the FIG. 1 embodiment;
 FIG. 3 is top plan view of the FIG. 1 embodiment;
 FIG. 4 is a front side elevational view of the FIG. 1 embodiment;
 FIG. 5 is a right end (relative to the front side) elevational view of the FIG. 1 embodiment; and,
 FIG. 6 is a left end (relative to the front side) elevational view of the FIG. 1 embodiment.

1 Claim, 2 Drawing Sheets

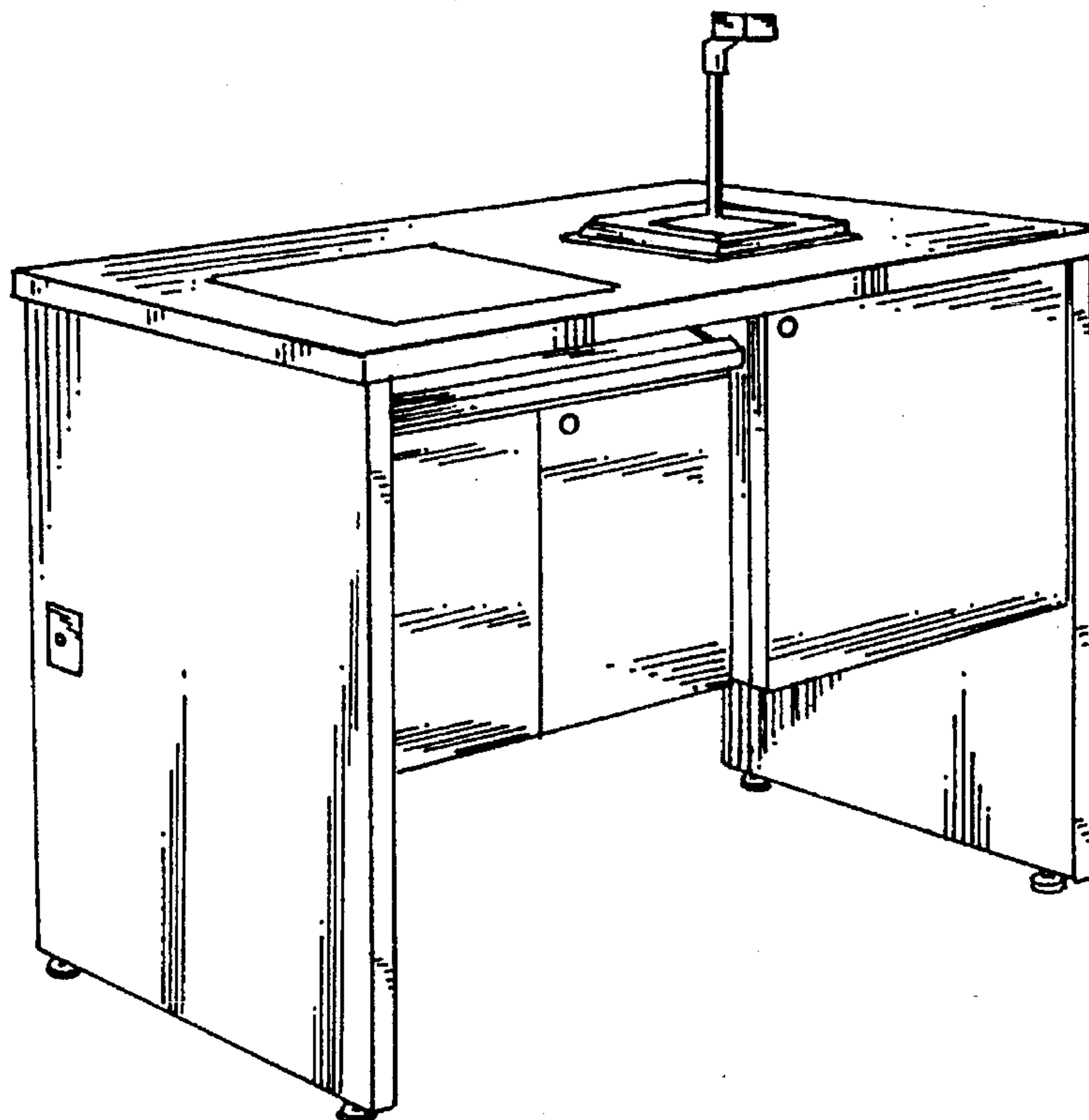


FIG. 1

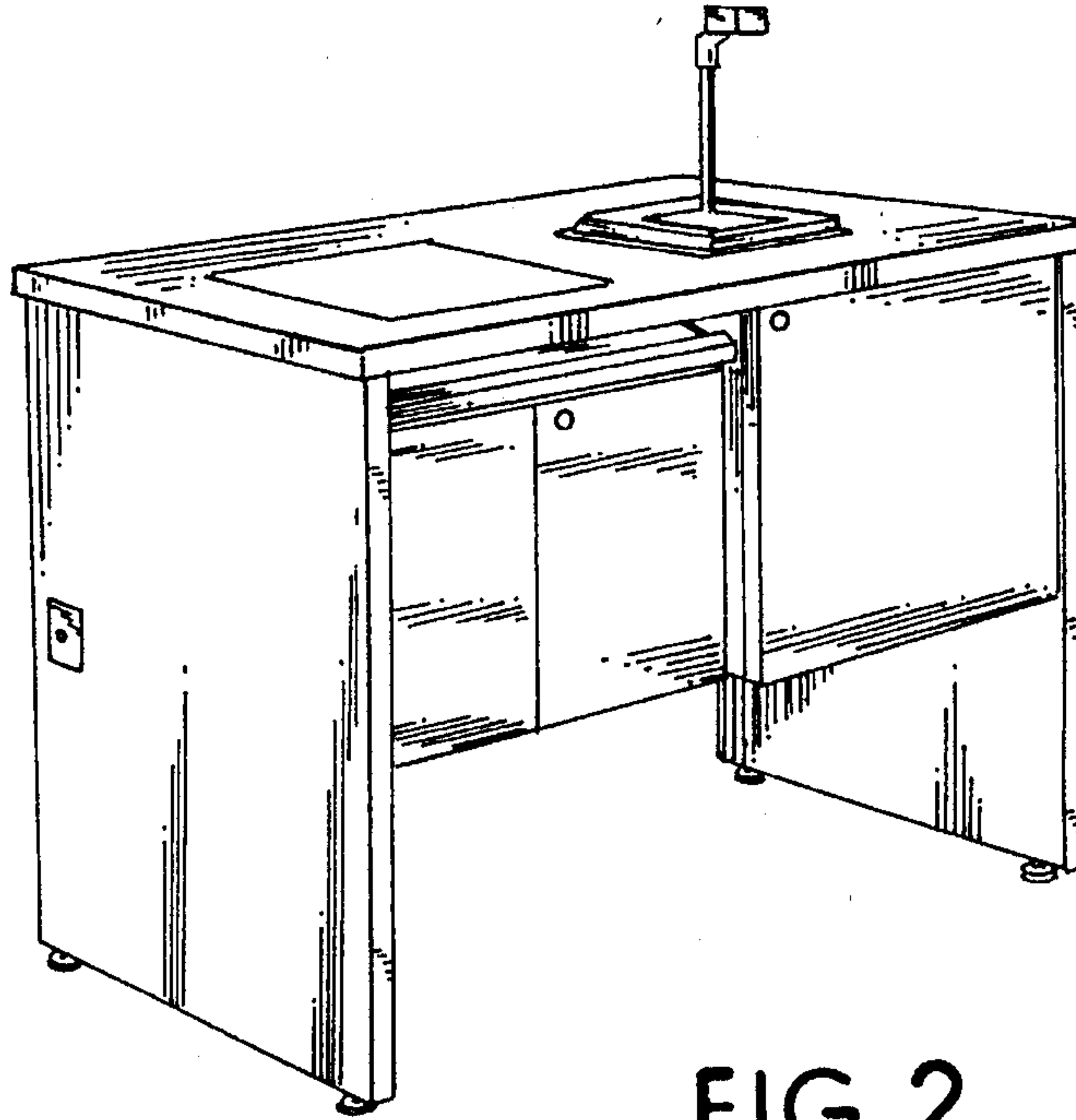


FIG. 2

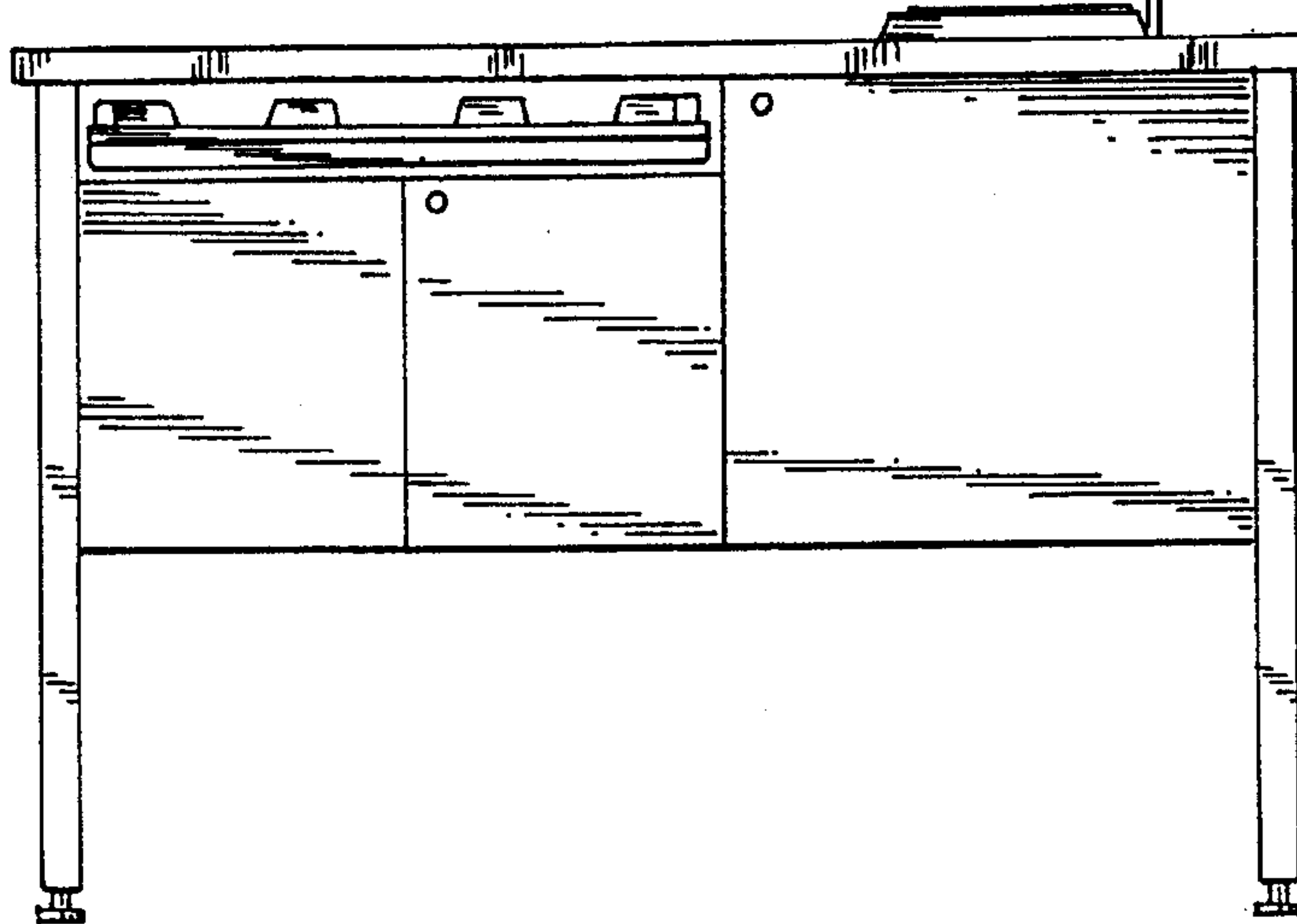


FIG. 3

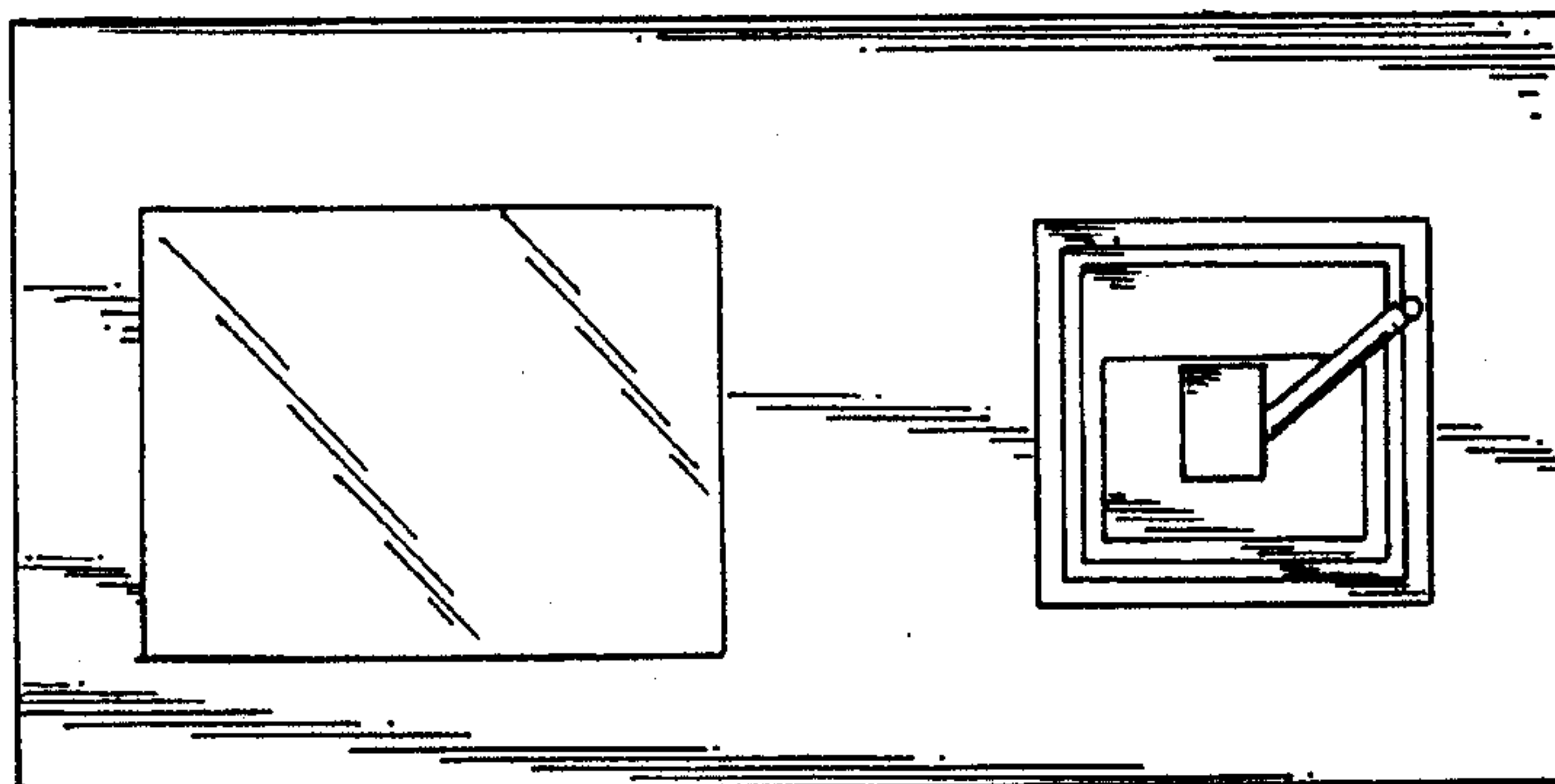


FIG. 4

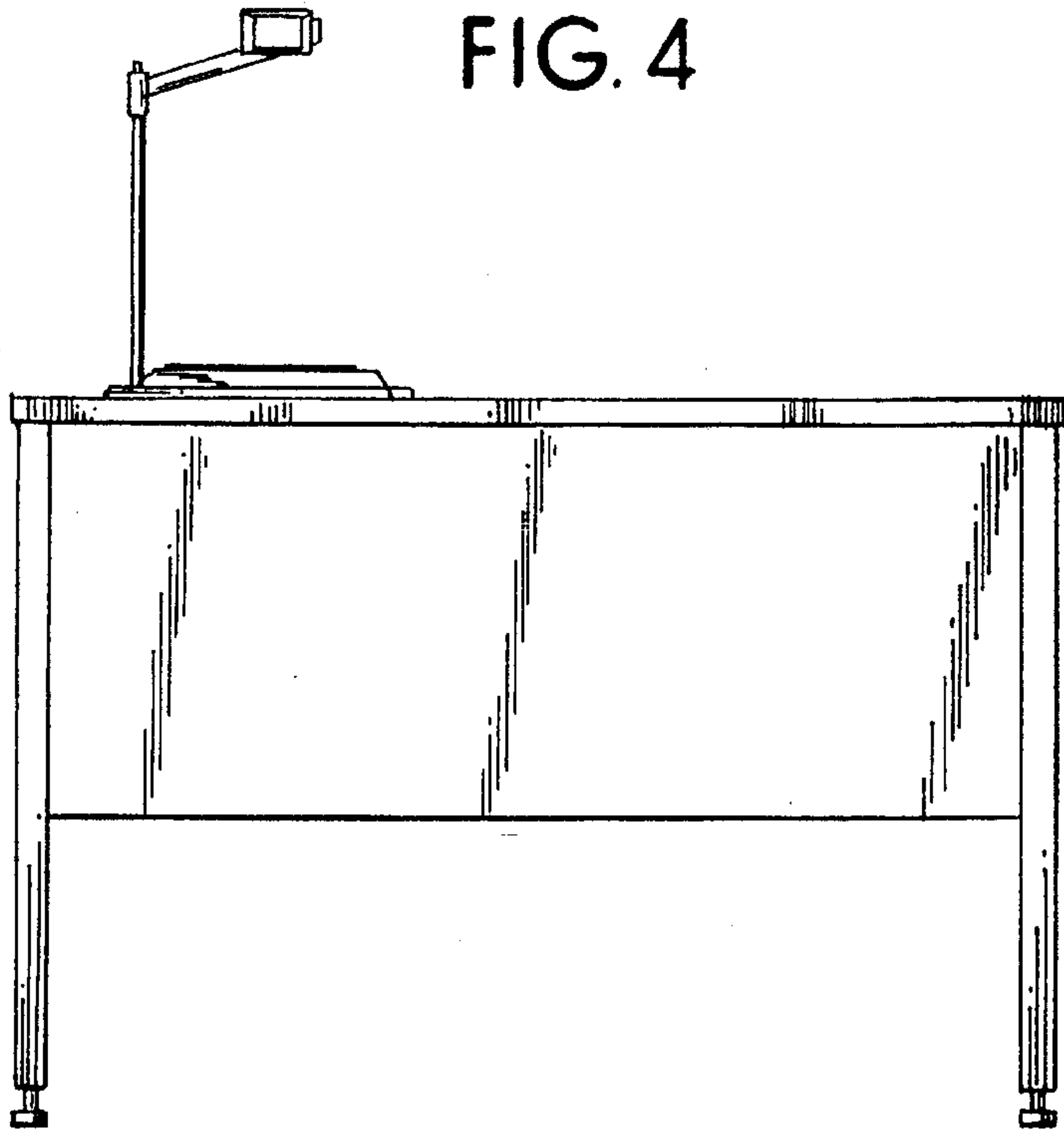


FIG. 5

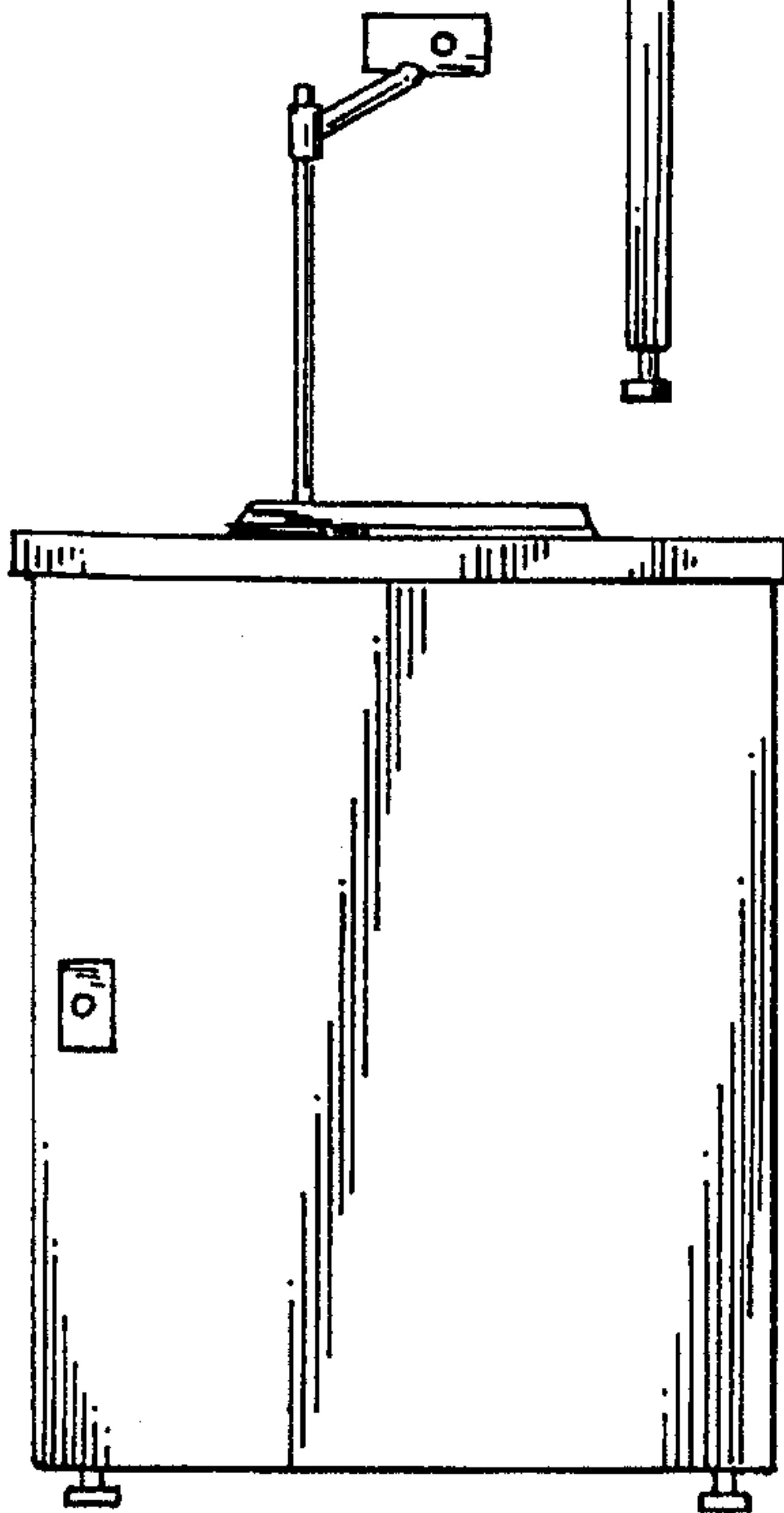


FIG. 6

