



US00D364048S

United States Patent [19]

[11] Patent Number: **Des. 364,048**

Winslow, Sr.

[45] Date of Patent: ****Nov. 14, 1995**

[54] BEACH TABLE

4,497,129	2/1985	Chestnut	43/21.2
4,920,897	5/1990	Reed et al.	108/150
5,143,108	9/1992	Kenney	248/156 X

[76] Inventor: **Phillip S. Winslow, Sr.**, 201 Orville Ct., Kill Devil Hills, N.C. 27948

FOREIGN PATENT DOCUMENTS

[**] Term: **14 Years**

465880 6/1950 Canada 248/156

[21] Appl. No.: **19,270**

Primary Examiner—Carmen H. Vales-Lado

[22] Filed: **Feb. 28, 1994**

[57] CLAIM

[52] U.S. Cl. **D6/417**; D6/416

The ornamental design for a beach table, as shown and described.

[58] Field of Search D6/416, 417; 135/16, 135/118; 211/62; 248/156, 545, 530, 533; 108/50; D7/552, 553, 558

DESCRIPTION

[56] References Cited

FIG. 1 is a front elevational view of the beach table showing my new design;

U.S. PATENT DOCUMENTS

D. 163,617	6/1951	Lilja	D6/417
D. 214,459	6/1969	Stageberg	D7/553
D. 242,515	11/1976	Shumark et al.	D7/553
D. 270,506	9/1983	Thorne	D7/553 X
D. 338,596	8/1993	Cafarella et al.	D7/553 X
D. 353,742	12/1994	Lewis et al.	D7/553 X
4,407,475	10/1983	Gossage	248/156
4,461,220	7/1984	Wetzel	248/156 X

FIG. 2 is a rear elevational view thereof;

FIG. 3 is a left side elevational view thereof;

FIG. 4 is a right side elevational view thereof;

FIG. 5 is a top plan view thereof; and,

FIG. 6 is a bottom plan view thereof; and,

FIG. 7 is an isometric view thereof.

1 Claim, 4 Drawing Sheets

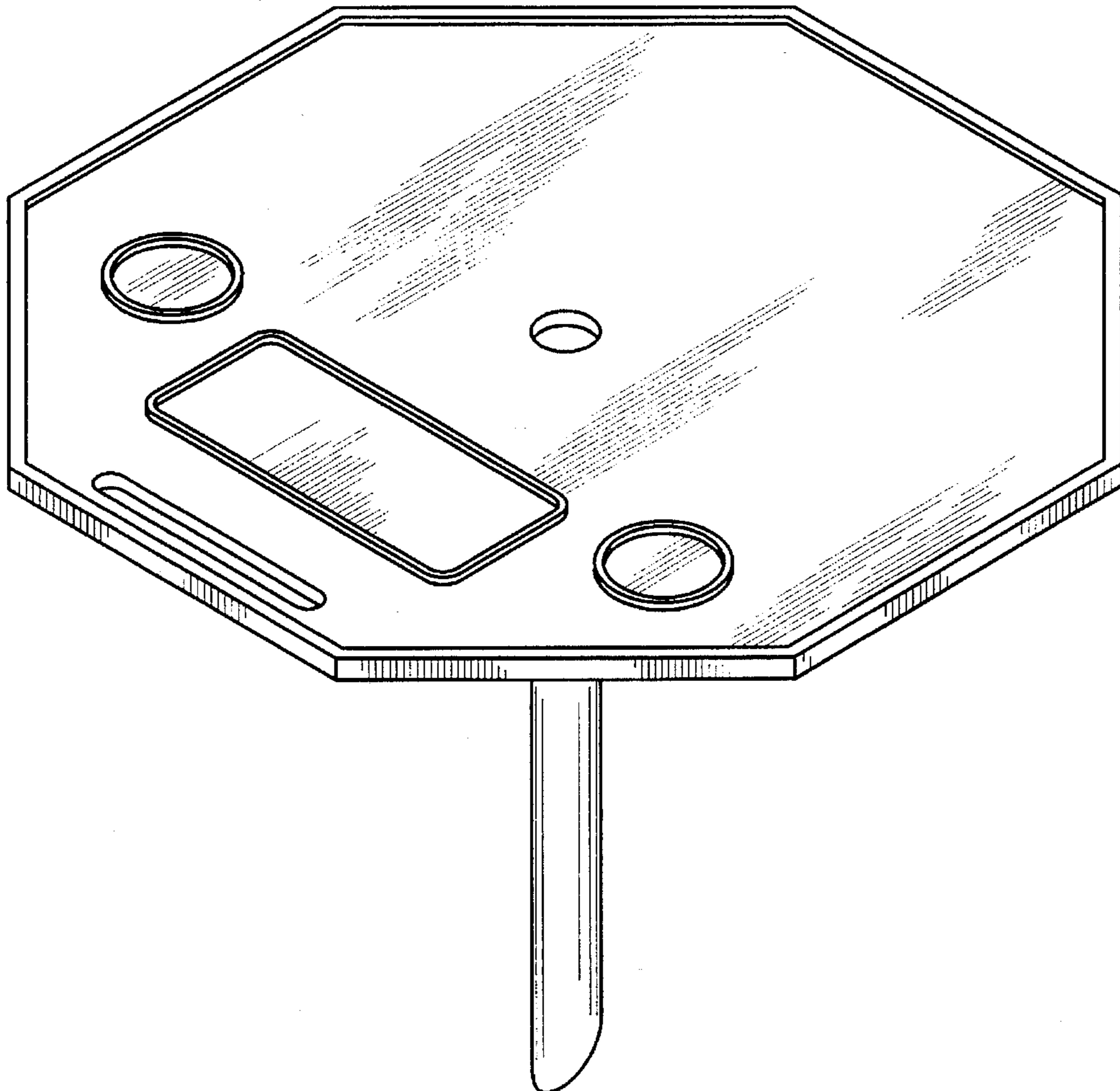


FIG. 1

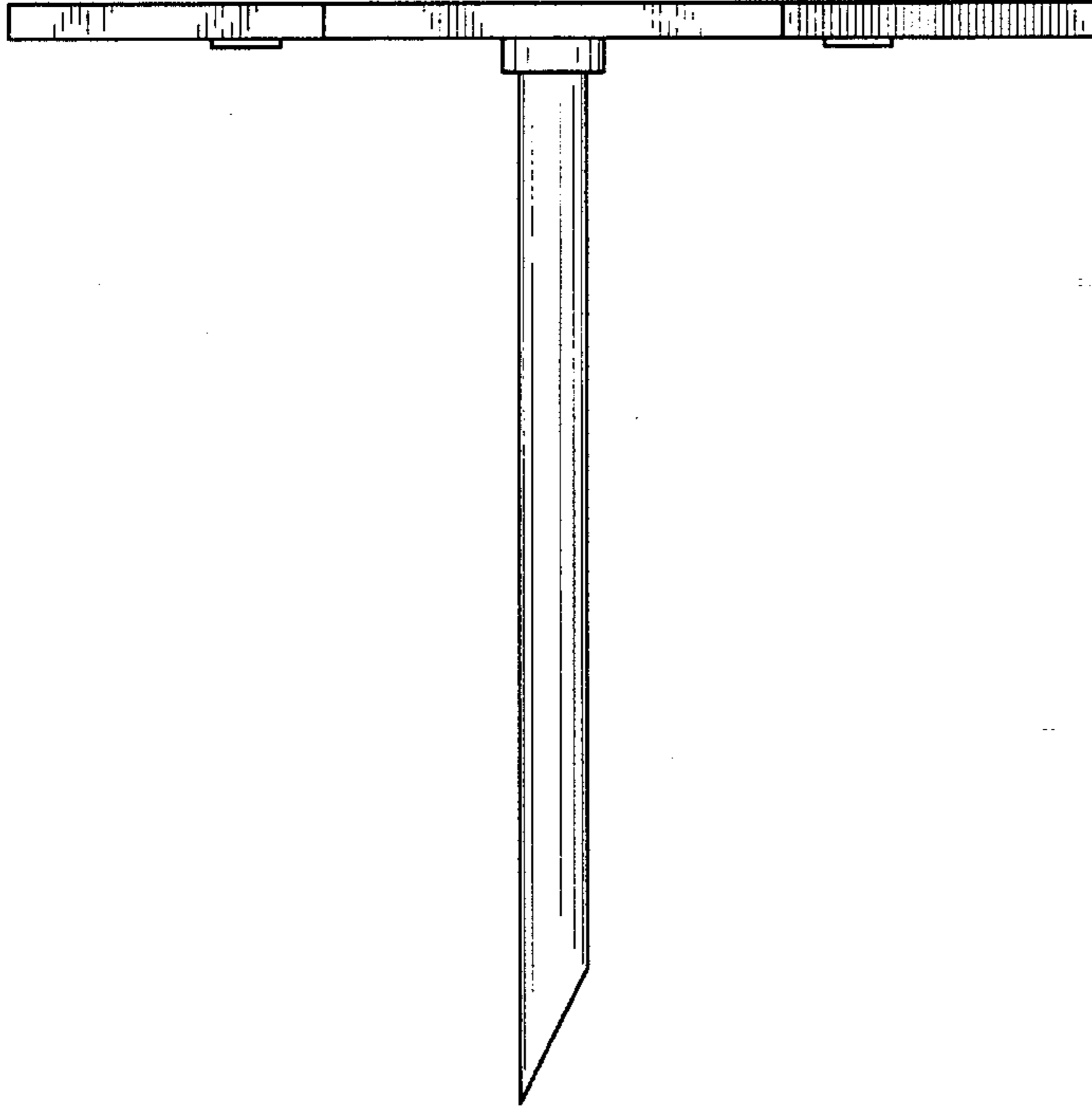


FIG. 2

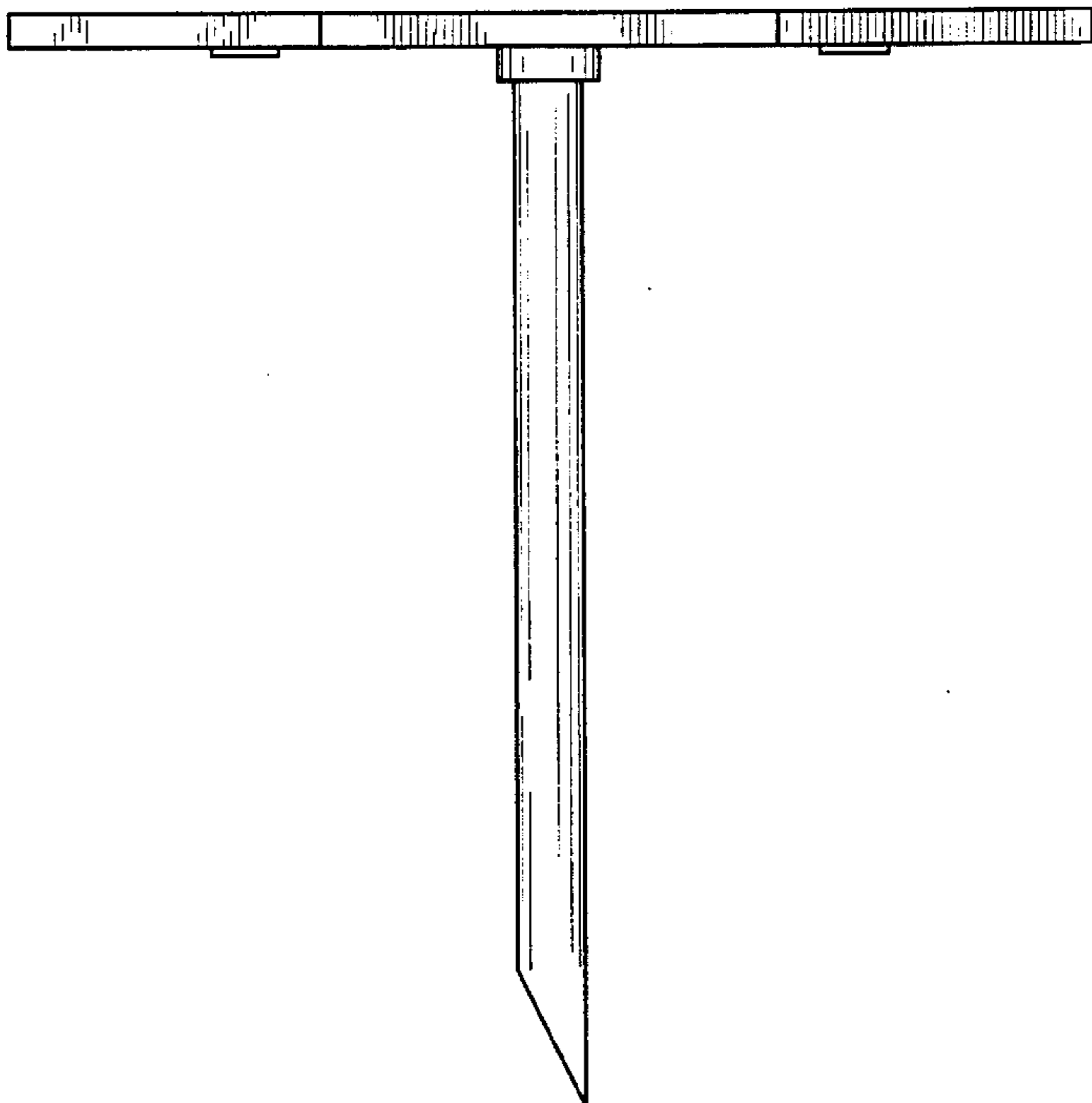


FIG. 3

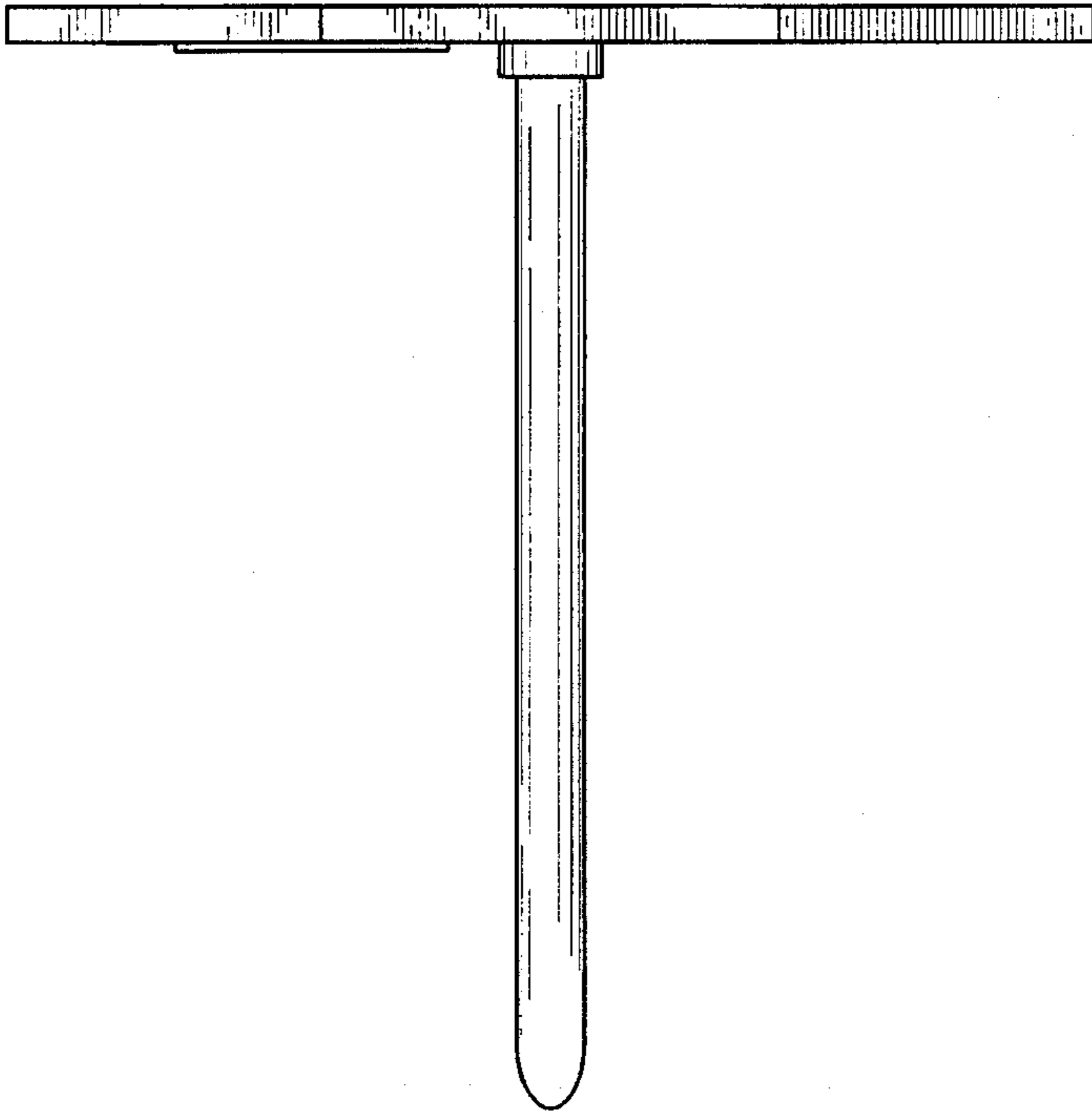


FIG. 4

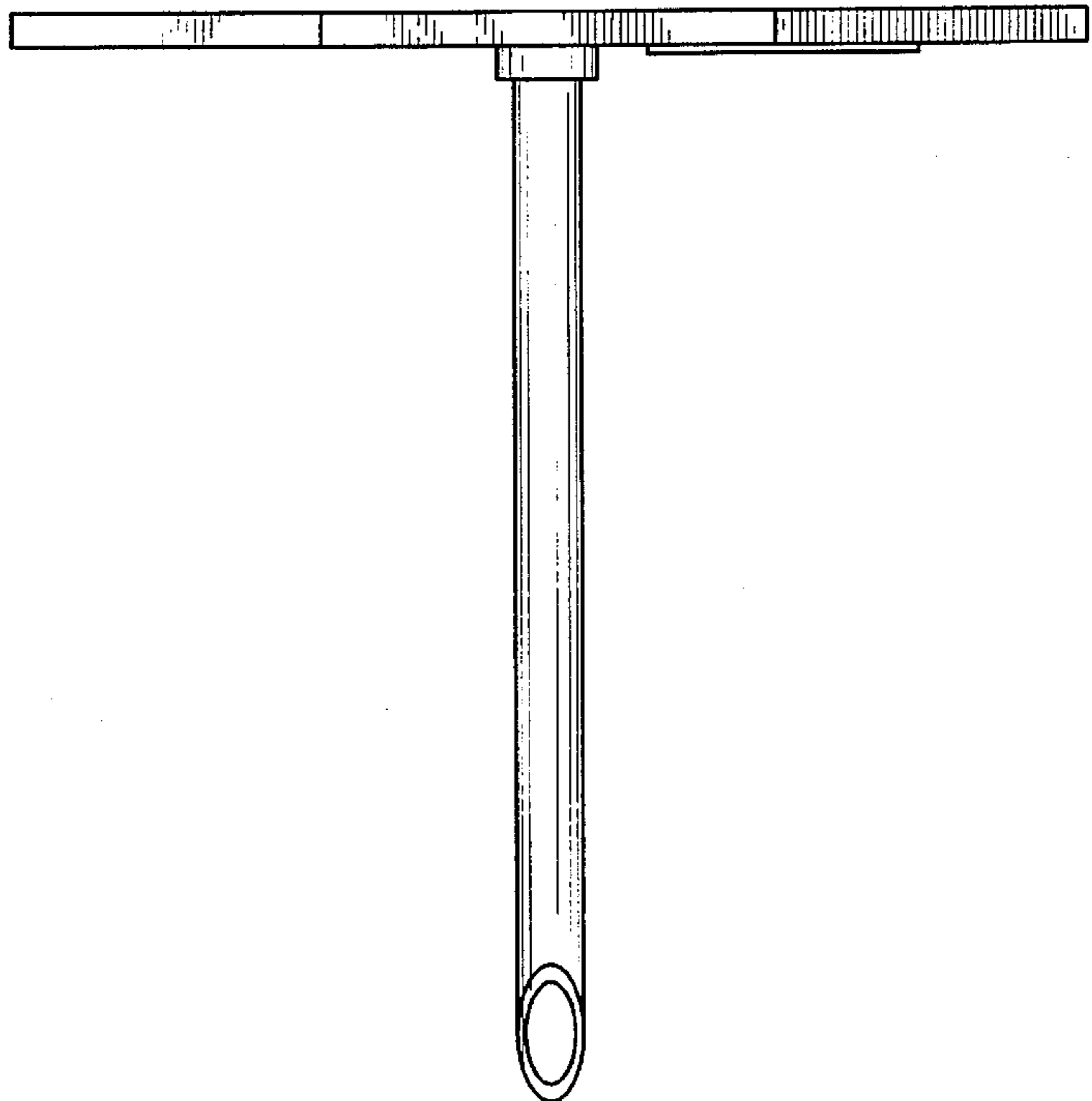


FIG. 5

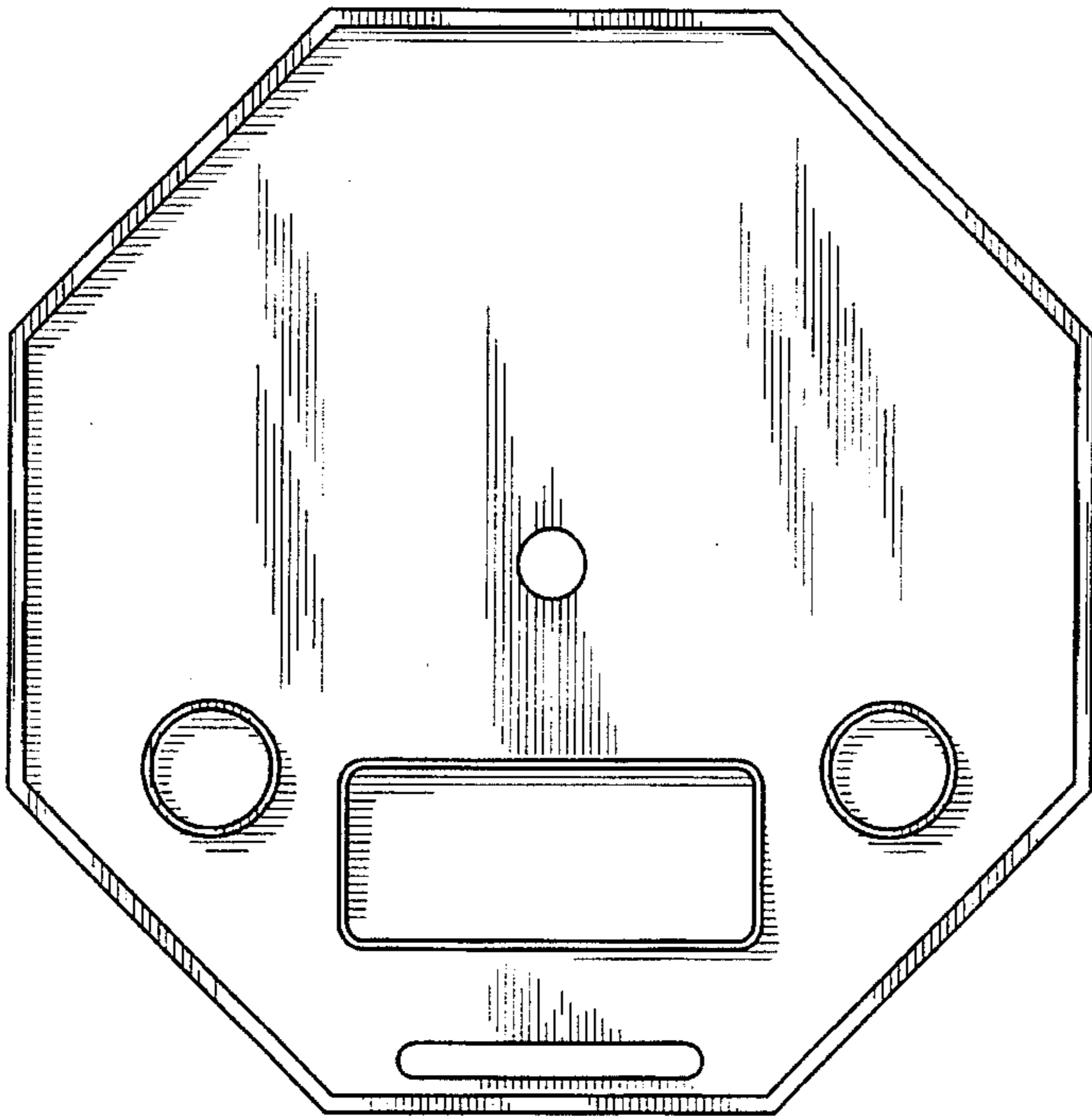


FIG. 6

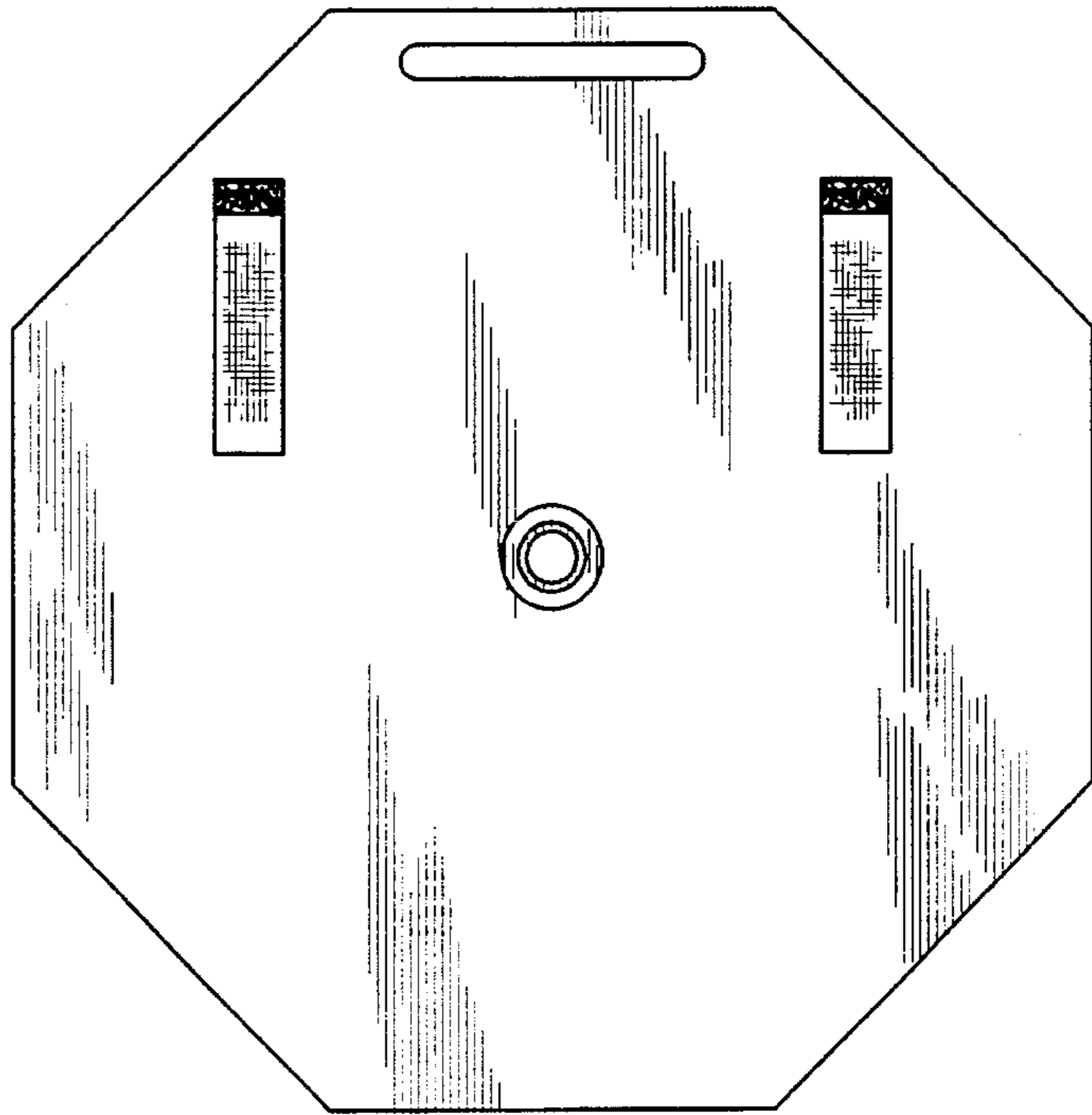


FIG. 7

