



US00D364047S

United States Patent [19]
Bucher

[11] **Patent Number: Des. 364,047**

[45] **Date of Patent: **Nov. 14, 1995**

[54] **SHELF UNIT**

[76] **Inventor: Paul G. Bucher, P.O. Box 5889-1000,
San Jose, Costa Rica**

[**] **Term: 14 Years**

[21] **Appl. No.: 27,888**

[22] **Filed: Aug. 31, 1994**

[52] **U.S. Cl. D6/407**

[58] **Field of Search D6/396, 405, 407,
D6/626, 629, 630, 462, 466, 467, 468,
476, 477, 478, 479; 206/387; 211/40, 41,
42**

[56] **References Cited**

U.S. PATENT DOCUMENTS

D. 309,998	8/1990	Sumrell et al.	D6/567
D. 322,724	12/1991	Stravitz	D6/407
D. 325,133	4/1992	Stravitz	D6/407
D. 328,986	9/1992	Lightfoot	D6/407
4,196,812	4/1980	McInnis	211/40
4,867,318	9/1989	Robson	211/41

4,928,816	5/1990	Zusy	206/232
5,035,332	7/1991	Stravitz	211/40
5,038,689	8/1991	Duffy	108/108

Primary Examiner—Alan P. Douglas
Assistant Examiner—S. Snapp
Attorney, Agent, or Firm—Rhodes, Coats & Bennett

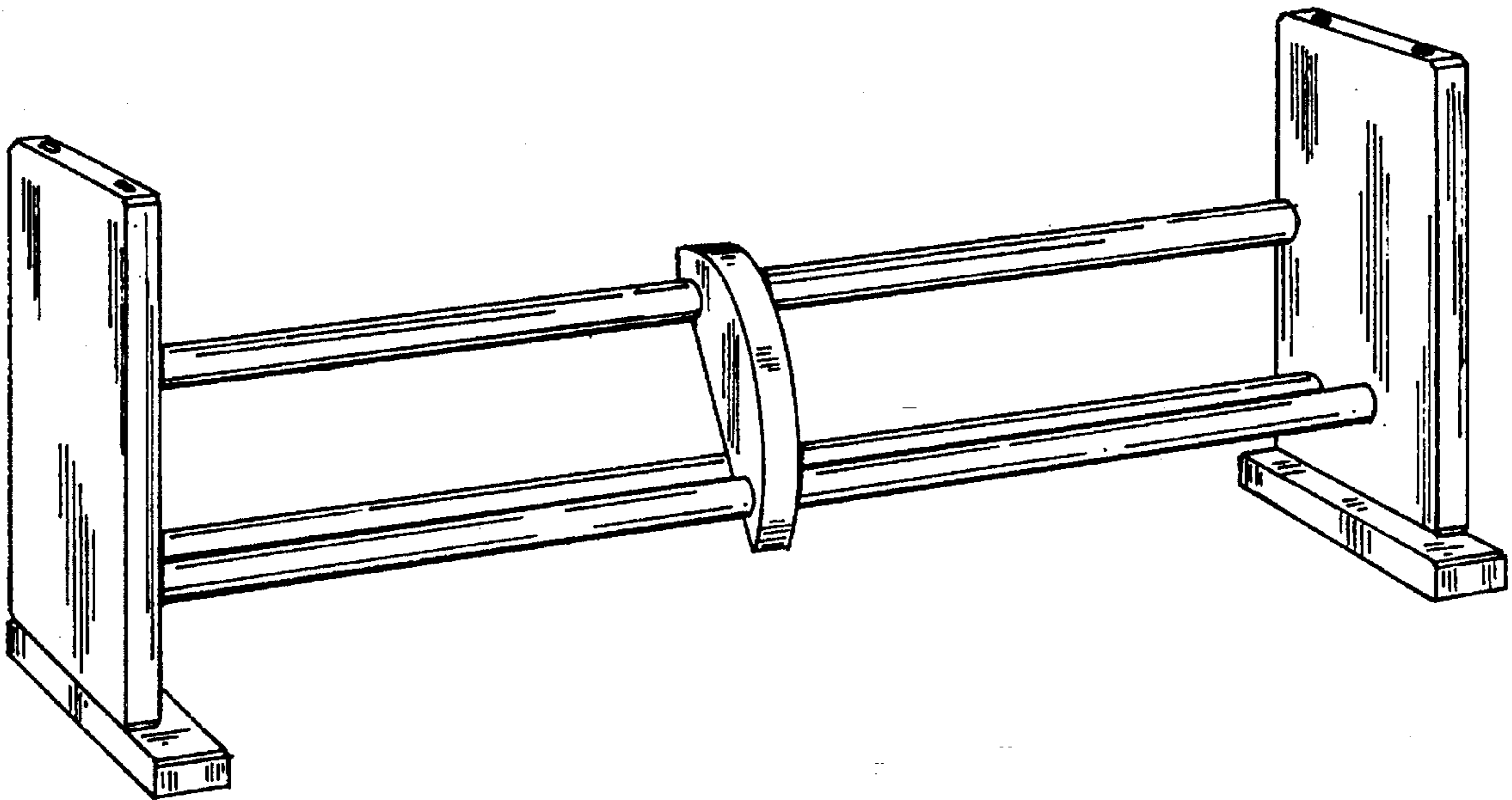
[57] **CLAIM**

The ornamental design for a shelf unit, as shown and described.

DESCRIPTION

FIG. 1 is a front perspective view of a shelf unit showing my new design;
FIG. 2 is a front elevational view thereof;
FIG. 3 is a plan view thereof;
FIG. 4 is a side elevational view thereof;
FIG. 5 is a sectional view taken along line 5—5 as shown in FIG. 2; and,
FIG. 6 is a front perspective view of a second embodiment of the shelf unit shown in FIG. 1.

1 Claim, 2 Drawing Sheets



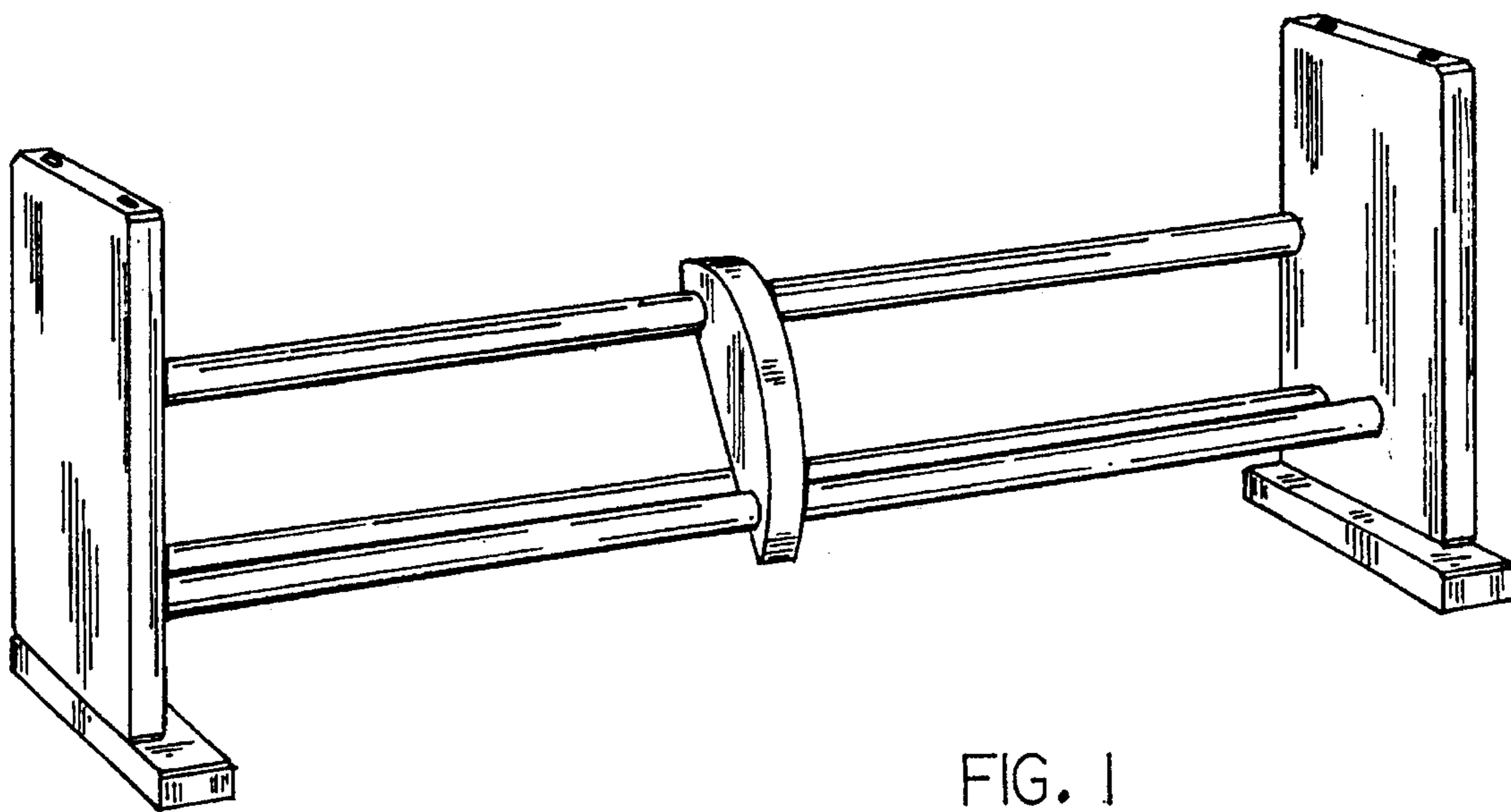


FIG. 1

FIG. 2

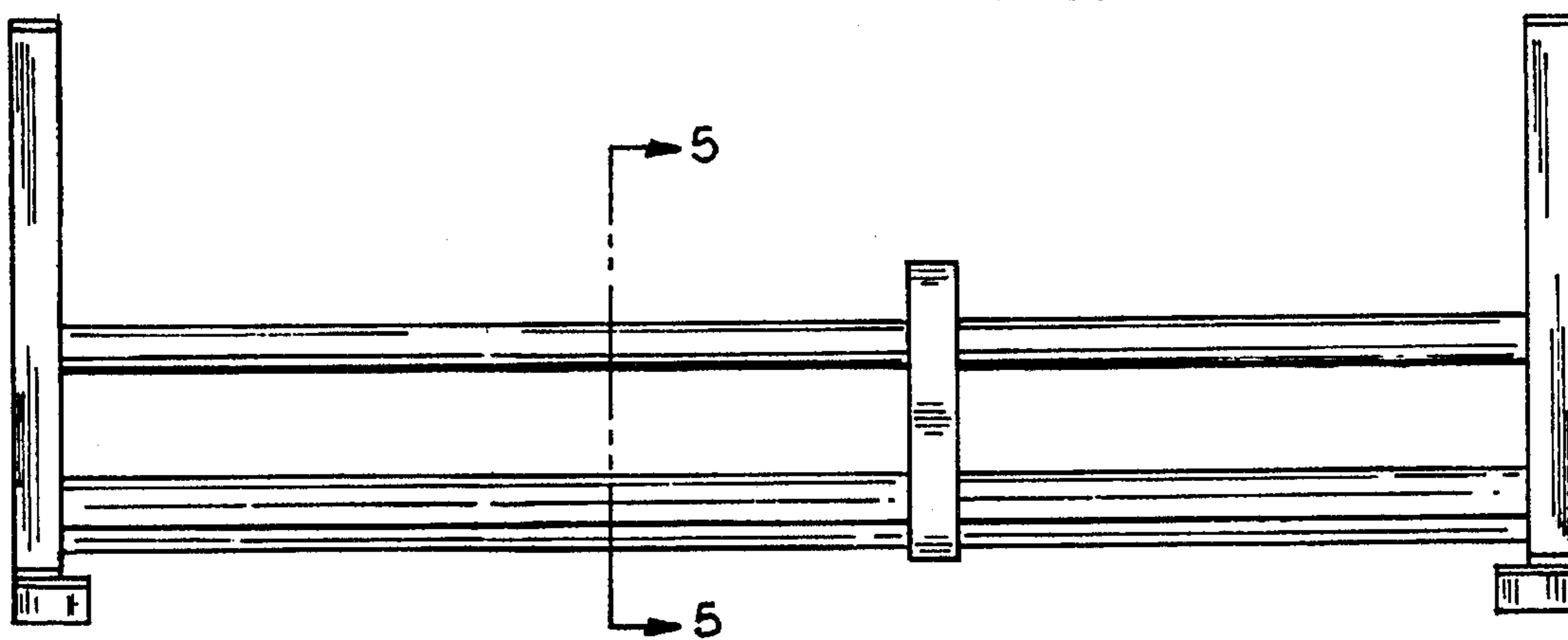
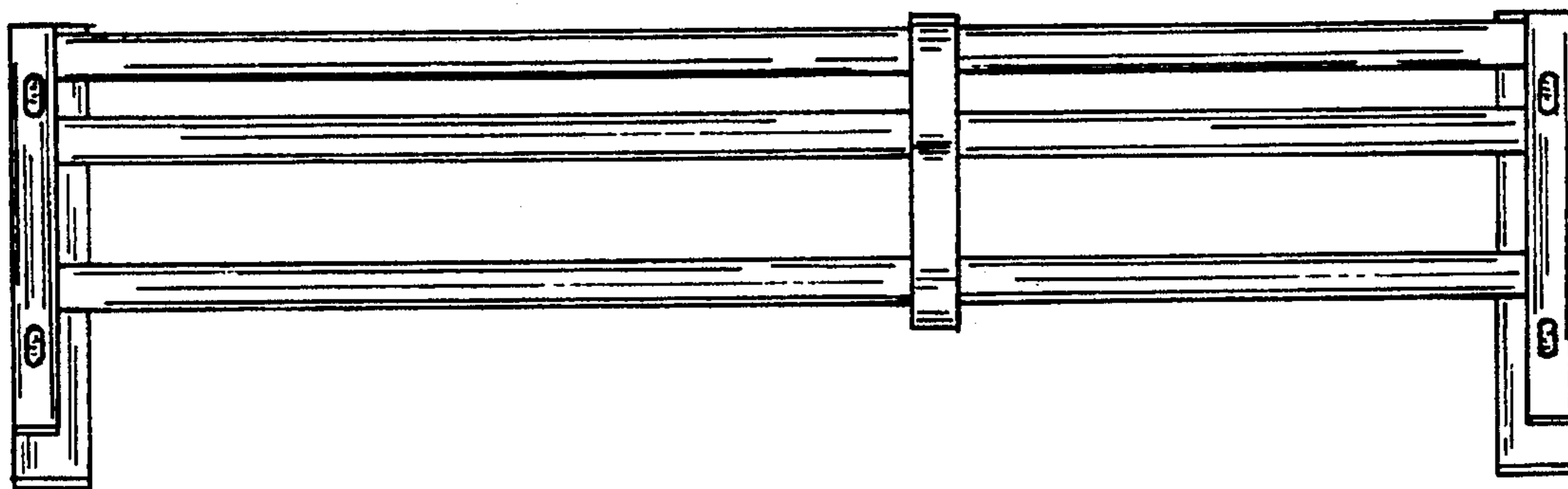


FIG. 3



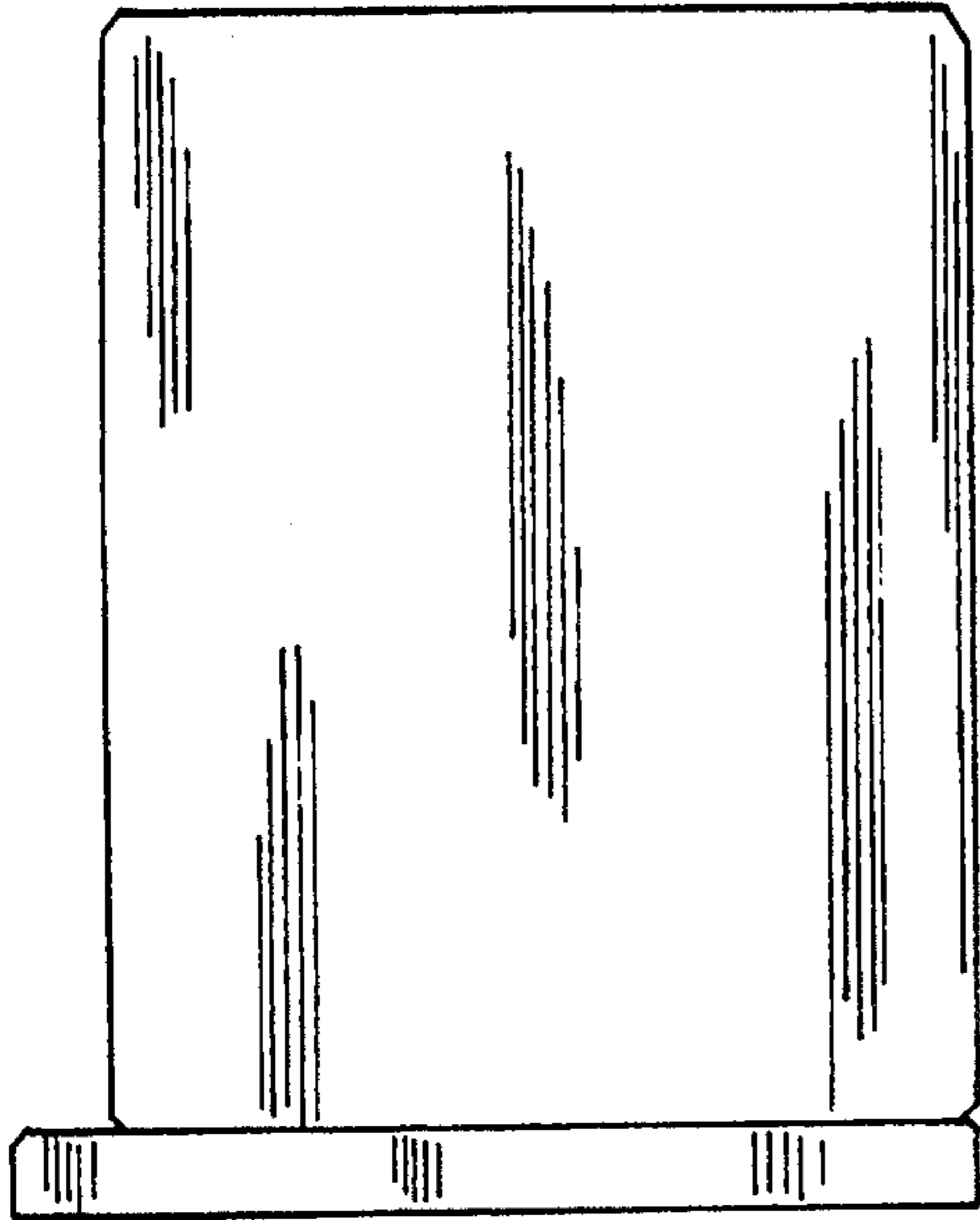


FIG. 4

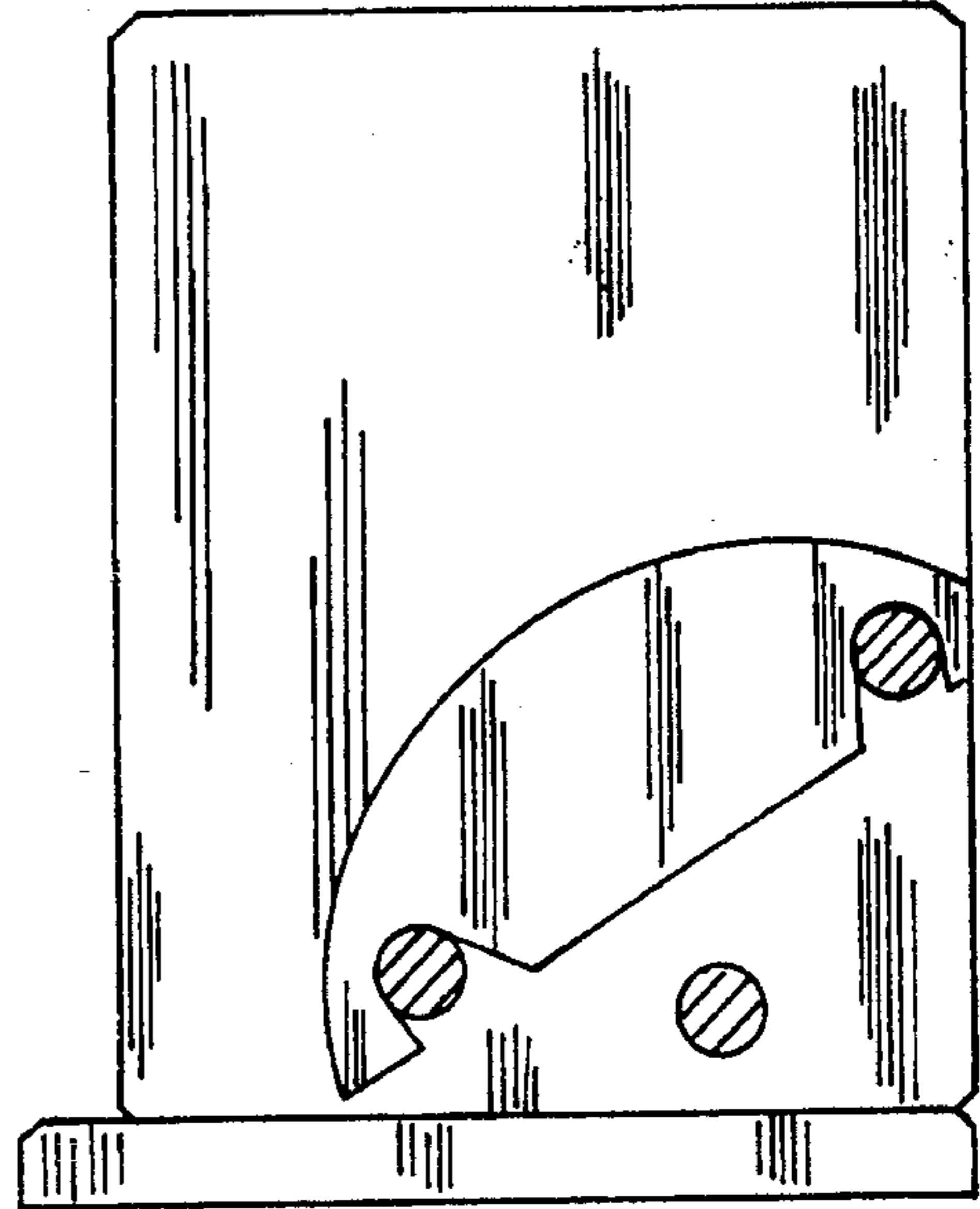


FIG. 5

FIG. 6

