



US00D364045S

United States Patent [19]
Starck

[11] **Patent Number: Des. 364,045**

[45] **Date of Patent: **Nov. 14, 1995**

[54] **HOOK**
[75] Inventor: **Philippe Starck**, Montfort L'Amaury,
France
[73] Assignee: **Hans Grohe GmbH & Co. KG**,
Germany
[**] Term: **14 Years**

[21] Appl. No.: **26,707**
[22] Filed: **Aug. 4, 1994**

[30] **Foreign Application Priority Data**
Feb. 8, 1994 [DE] Germany 94 01 167.2
[52] **U.S. Cl.** **D8/367**
[58] **Field of Search** D6/546-550; D8/363,
D8/367, 373, 376; 211/59.1, 86-87; 248/466,
176, 302-304, 309.1, 309.2, 301

[56] **References Cited**

U.S. PATENT DOCUMENTS

D. 296,759 7/1988 Greenhut et al. D8/367
D. 312,284 11/1990 Hamann D8/367
D. 346,950 5/1994 Dunn et al. D8/367

3,016,224 1/1962 Hall 248/301 X

OTHER PUBLICATIONS

Product Catalog of Aloys F. Dornbracht GmbH & Co., KG,
of Germany, the catalog having a publication date at least as
early as Nov. 13, 1992 (e.g., press release date).
Baldwin Bath Epic Accessories Catalogue (1987) p. 12
"Palm Springs" Hook.

Primary Examiner—Brian N. Vinson
Attorney, Agent, or Firm—Eckert Seamans Cherin & Mellott

[57] **CLAIM**

The ornamental design for a hook, as shown and described.

DESCRIPTION

FIG. 1 is a side perspective view taken from the front and
right side of a hook showing my new design;
FIG. 2 is a left side elevation view thereof;
FIG. 3 is a rear elevation view thereof;
FIG. 4 is a top plan view thereof;
FIG. 5 is a front elevation view thereof;
FIG. 6 is a right side elevation view thereof; and,
FIG. 7 is a bottom plan view thereof.

1 Claim, 2 Drawing Sheets

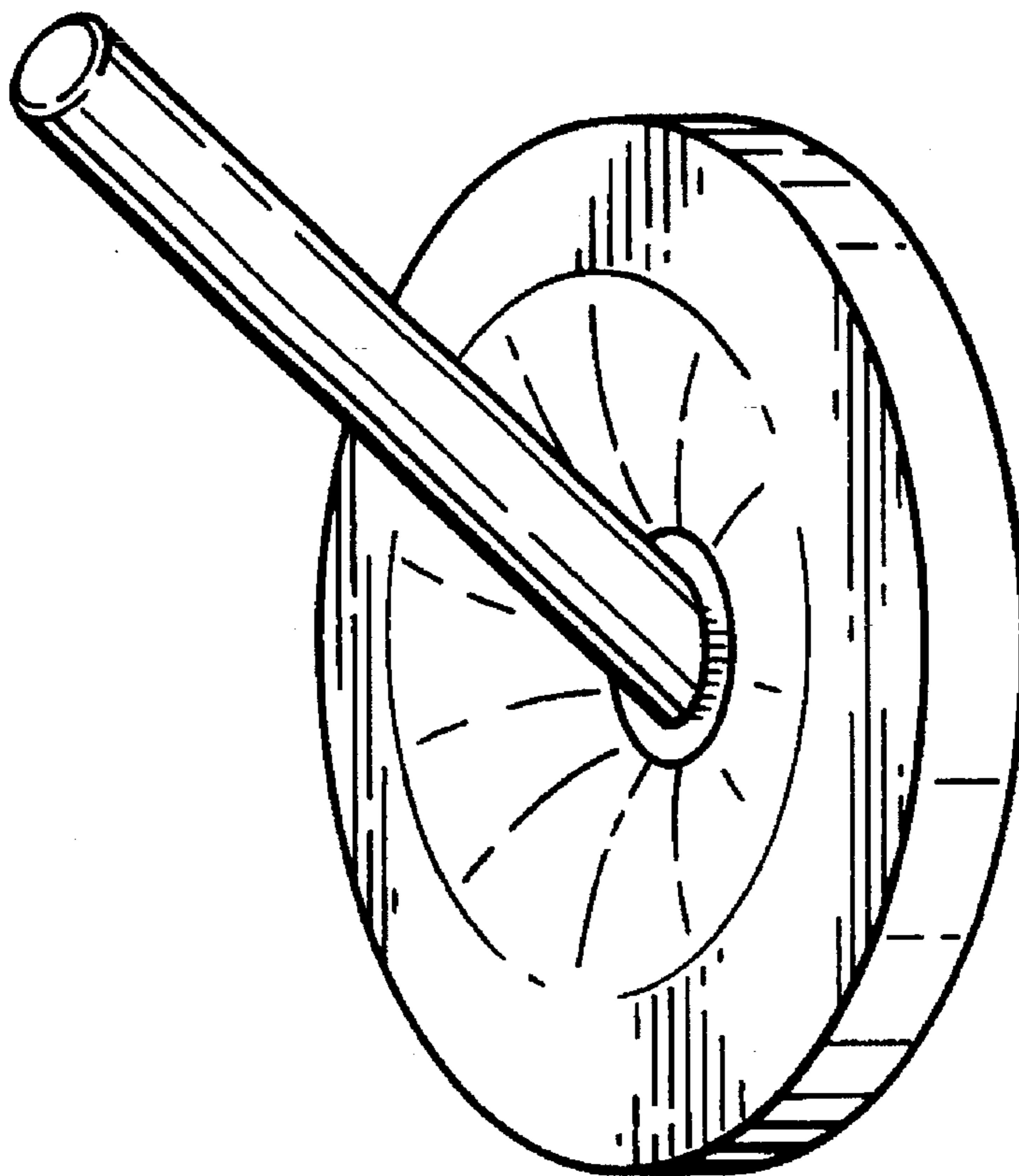


Fig. 1

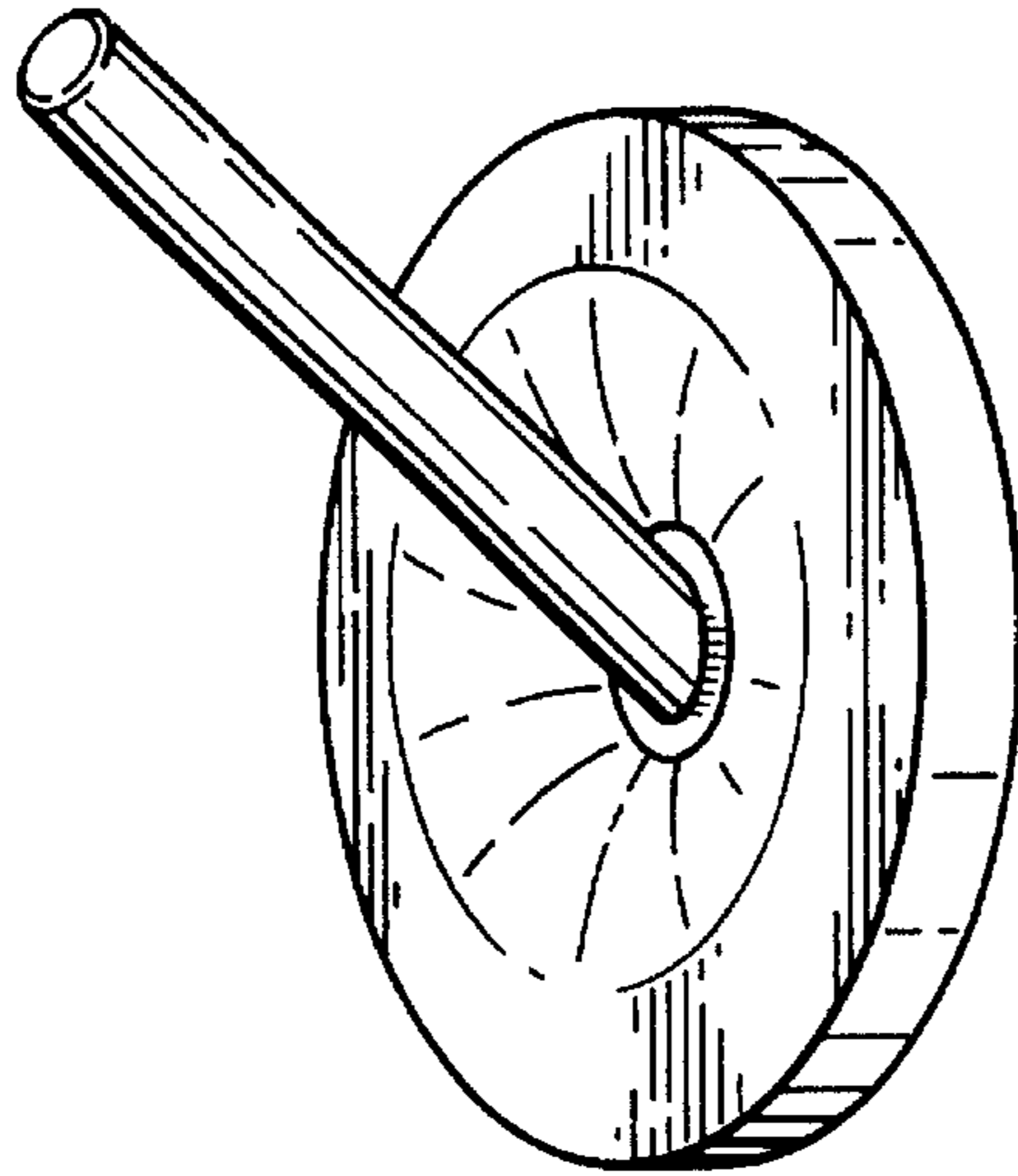


Fig. 3

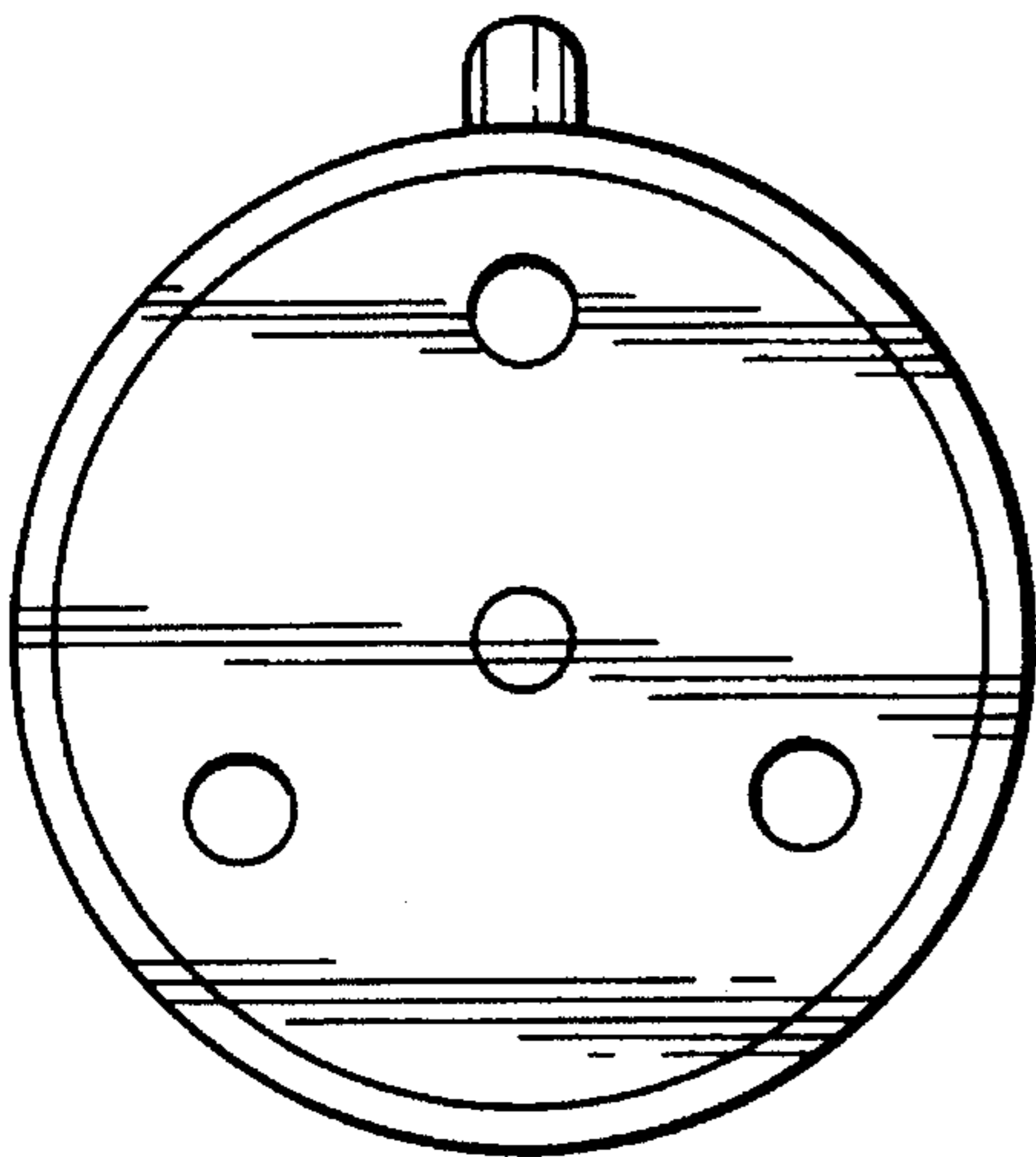
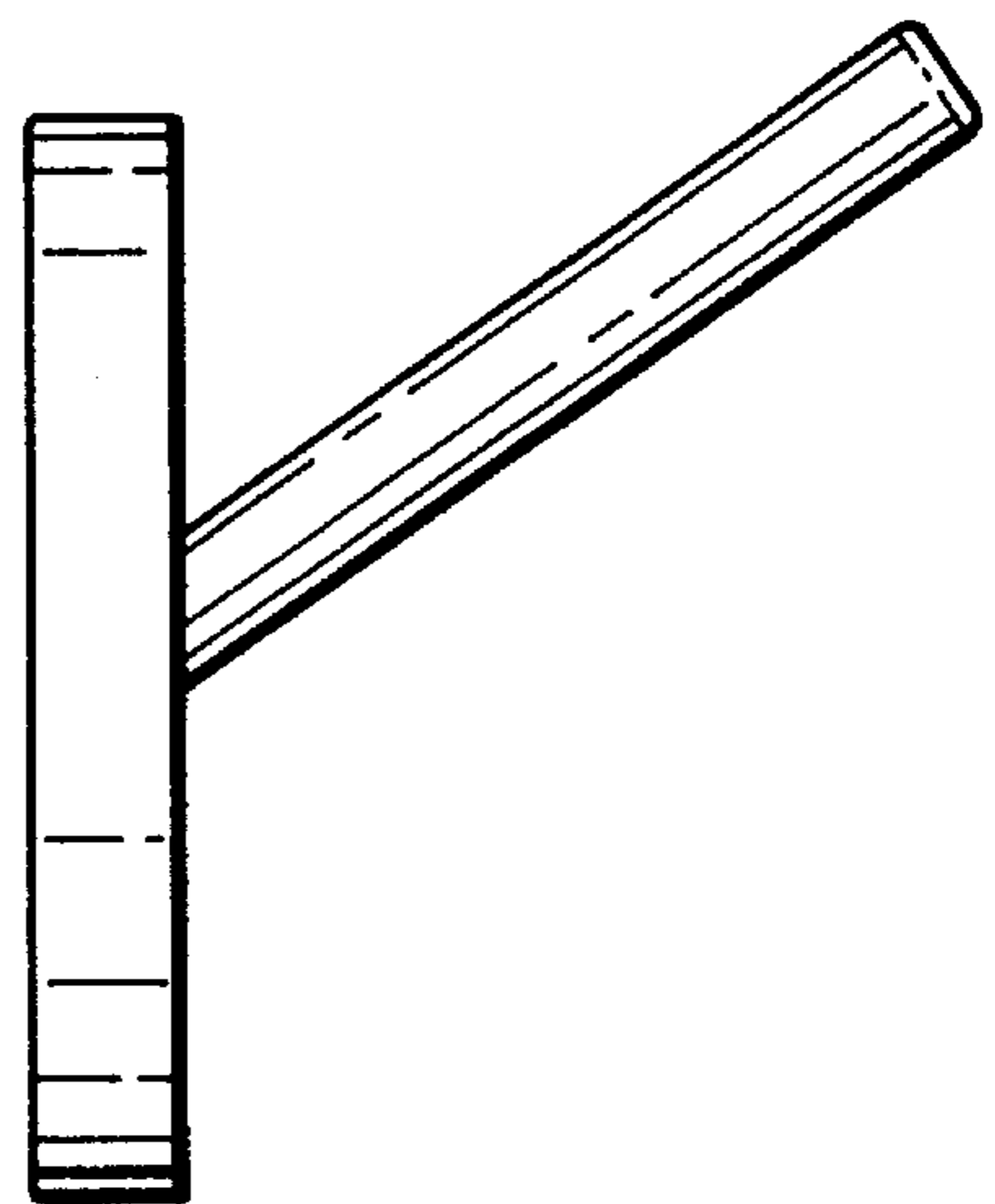


Fig. 2



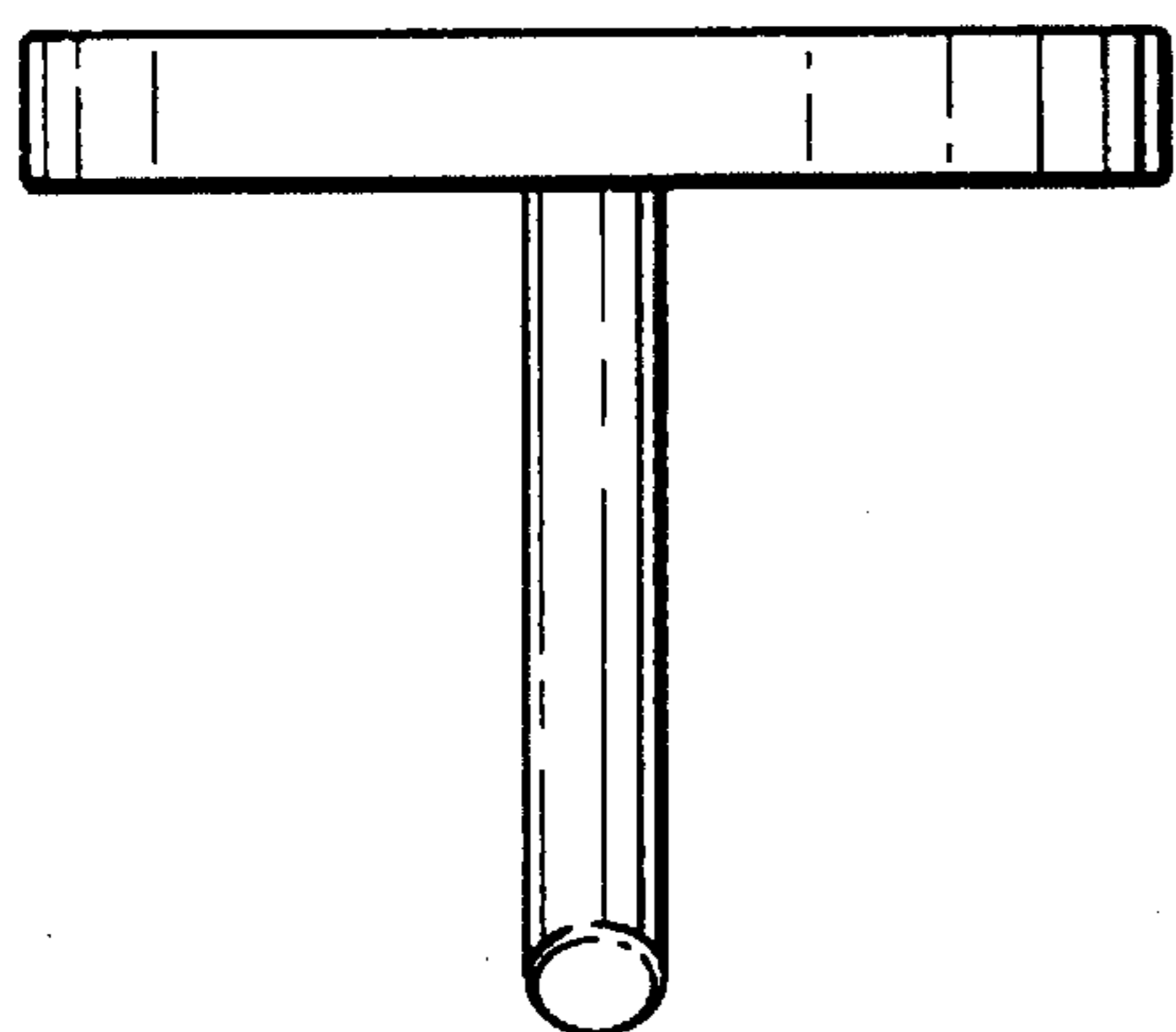


Fig. 4

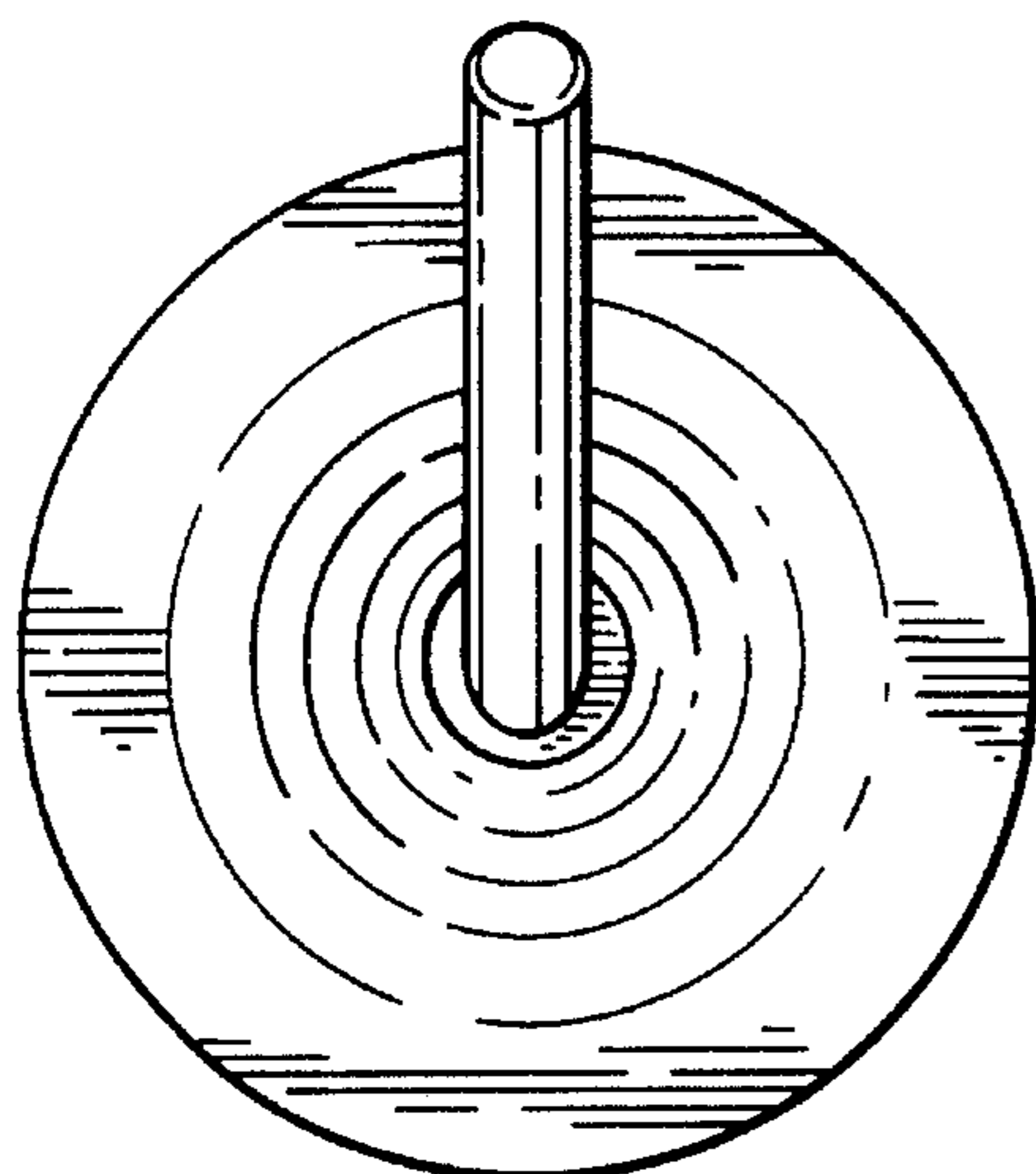


Fig. 5

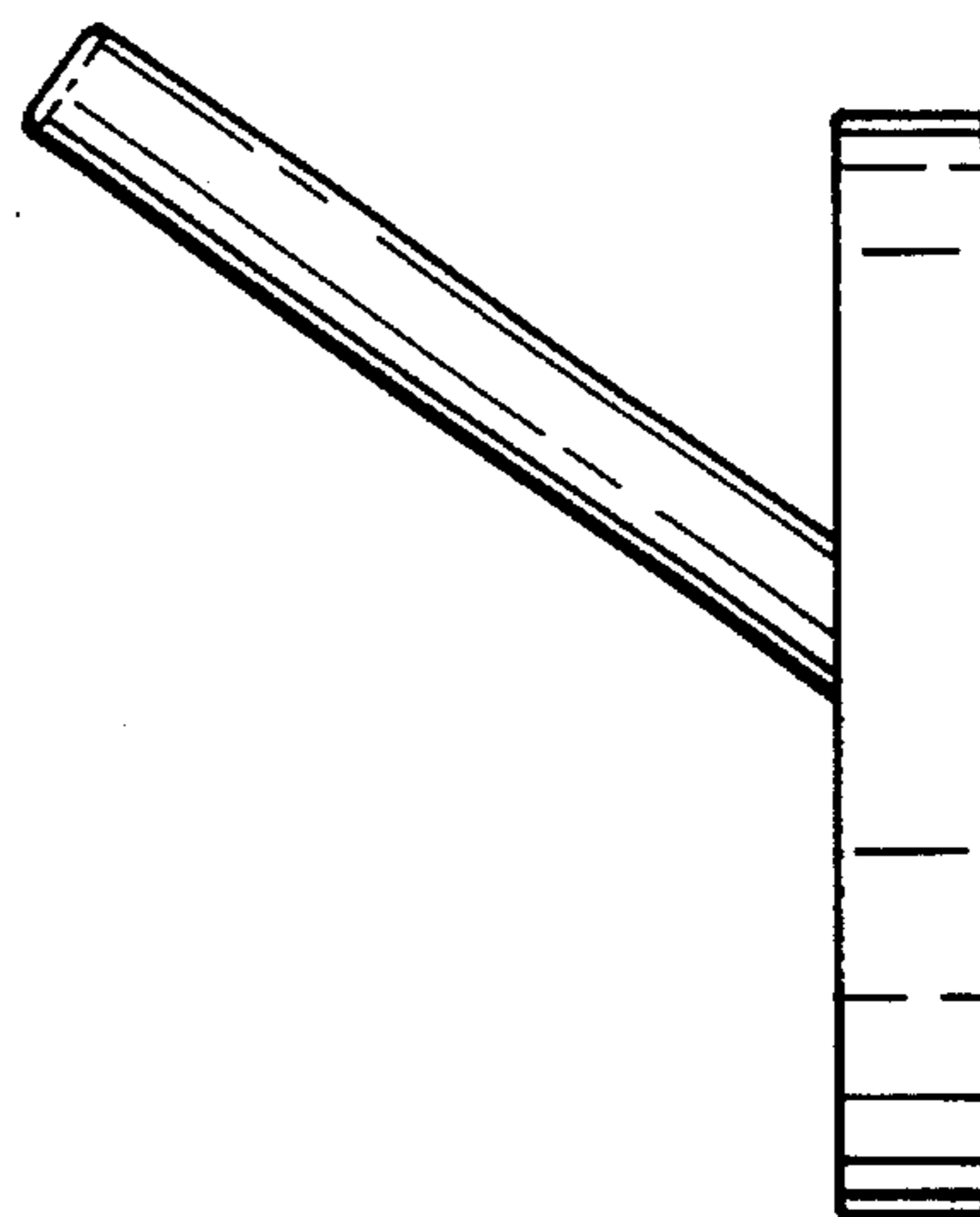


Fig. 6

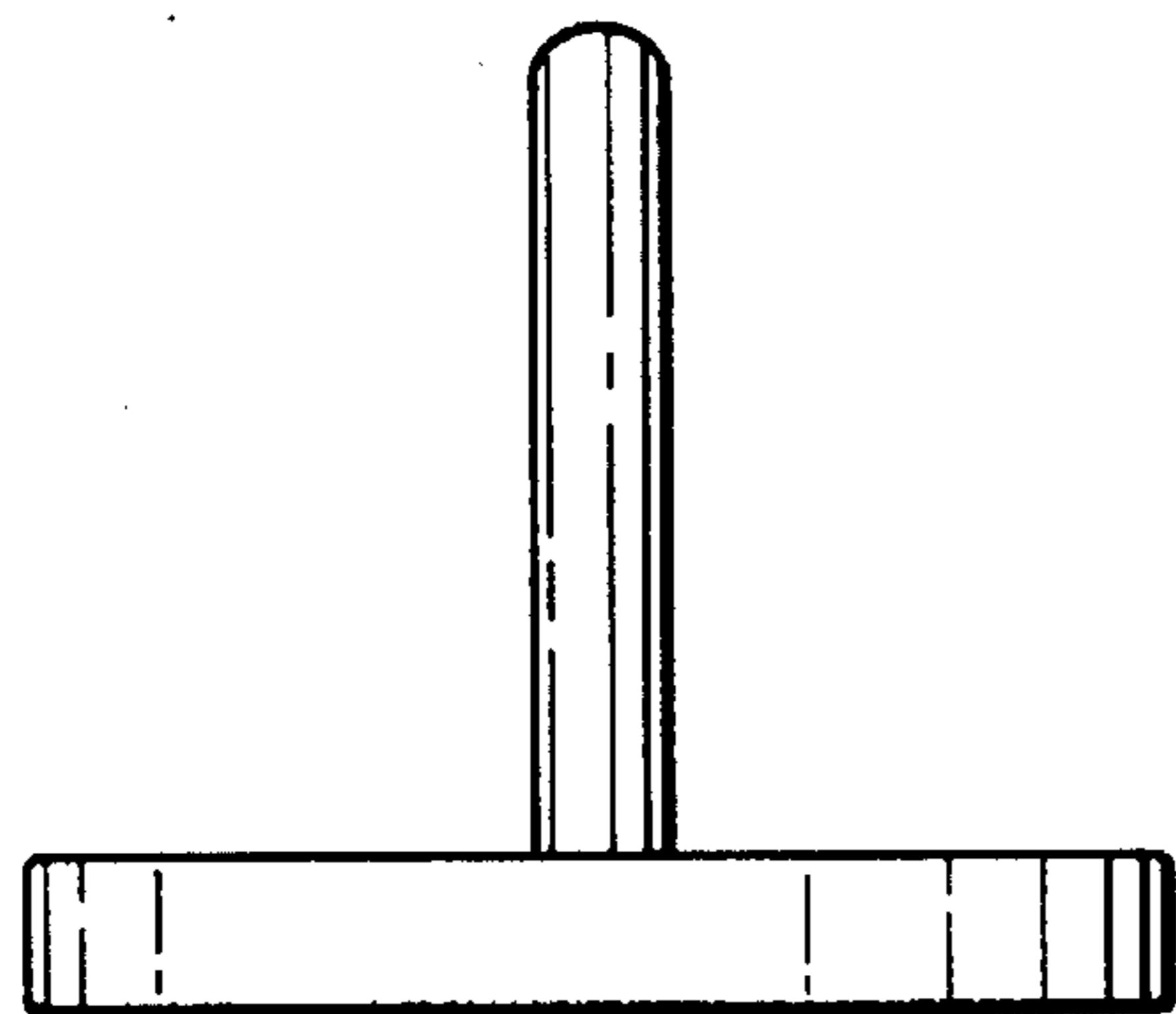


Fig. 7