



US00D364039S

United States Patent [19]
Kruger

[11] **Patent Number: Des. 364,039**
[45] **Date of Patent: **Nov. 14, 1995**

[54] **CADDY WITH HANDLE**

[75] Inventor: **Cory J. Kruger**, Gardner, Mass.
[73] Assignee: **Sterilite Corporation**, Townsend, Mass.
[**] Term: **14 Years**

[21] Appl. No.: **26,832**
[22] Filed: **Aug. 8, 1994**
[52] U.S. Cl. **D3/315**
[58] **Field of Search** D3/315, 308, 309,
D3/307; D25/62, 64, 68; 224/904; 206/234,
349, 372, 373

[56] **References Cited**

U.S. PATENT DOCUMENTS

D. 238,112	12/1975	Nowak	D3/309
D. 314,279	2/1991	Hotchkiss	D3/309
D. 329,135	9/1992	Embree	D3/308
3,907,105	9/1975	Nowak	D3/309 X
4,720,021	1/1988	Byrns	206/373 X

OTHER PUBLICATIONS

Rubbermaid: #3154, Auto Caddy, 1 page, 1992.

Primary Examiner—Lou Zarfes
Assistant Examiner—Catherine R. Oliver
Attorney, Agent, or Firm—Donald Brown

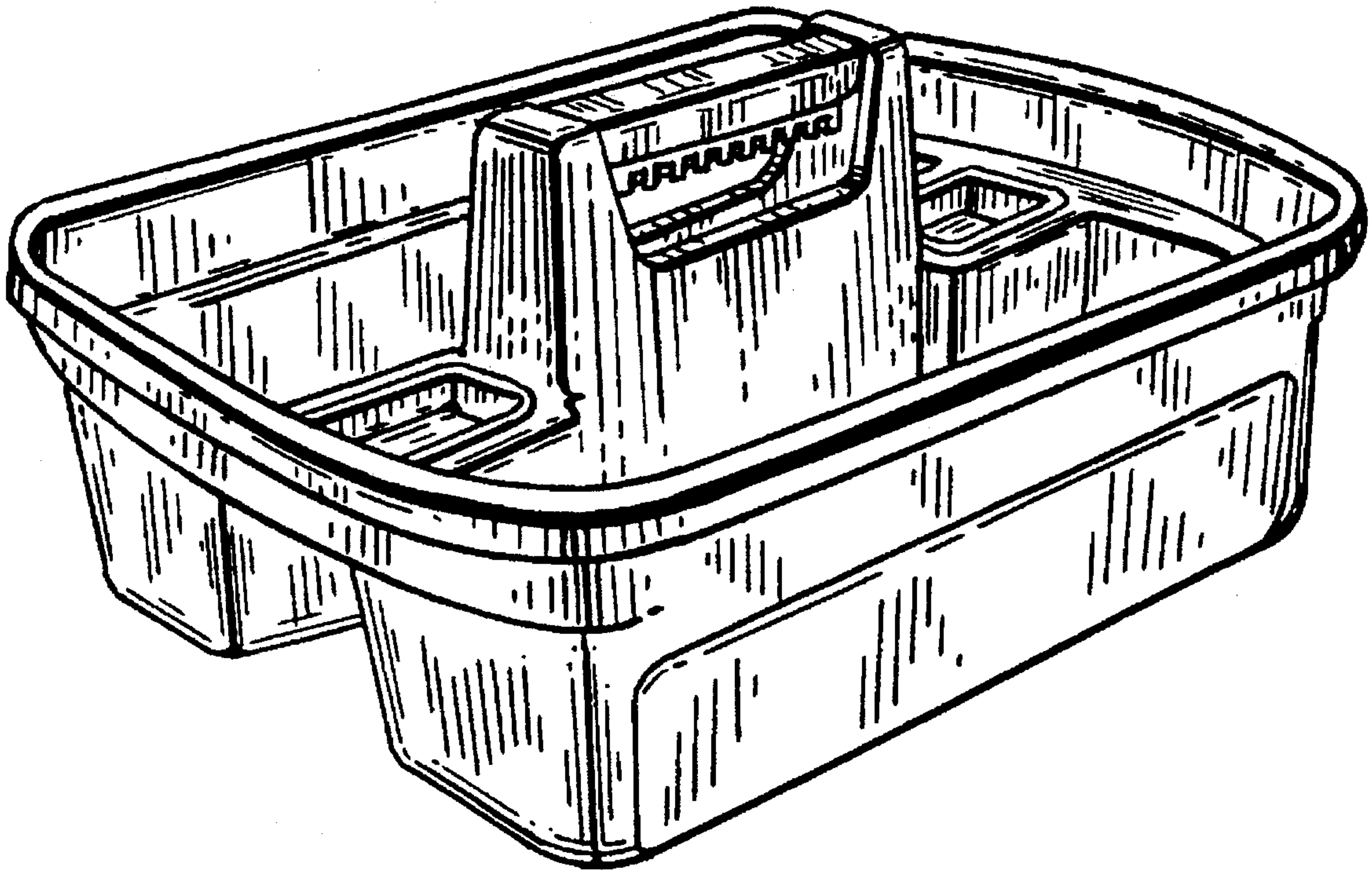
[57] **CLAIM**

The ornamental design of a caddy with handle, as shown and described.

DESCRIPTION

FIG. 1 is a perspective view of the caddy with handle of this invention;
FIG. 2 is a top plan view of the invention;
FIG. 3 is a side elevation of the invention, both sides being identical;
FIG. 4 is an end view of the invention, both ends being identical; and,
FIG. 5 is a bottom view of the caddy with handle.

1 Claim, 2 Drawing Sheets



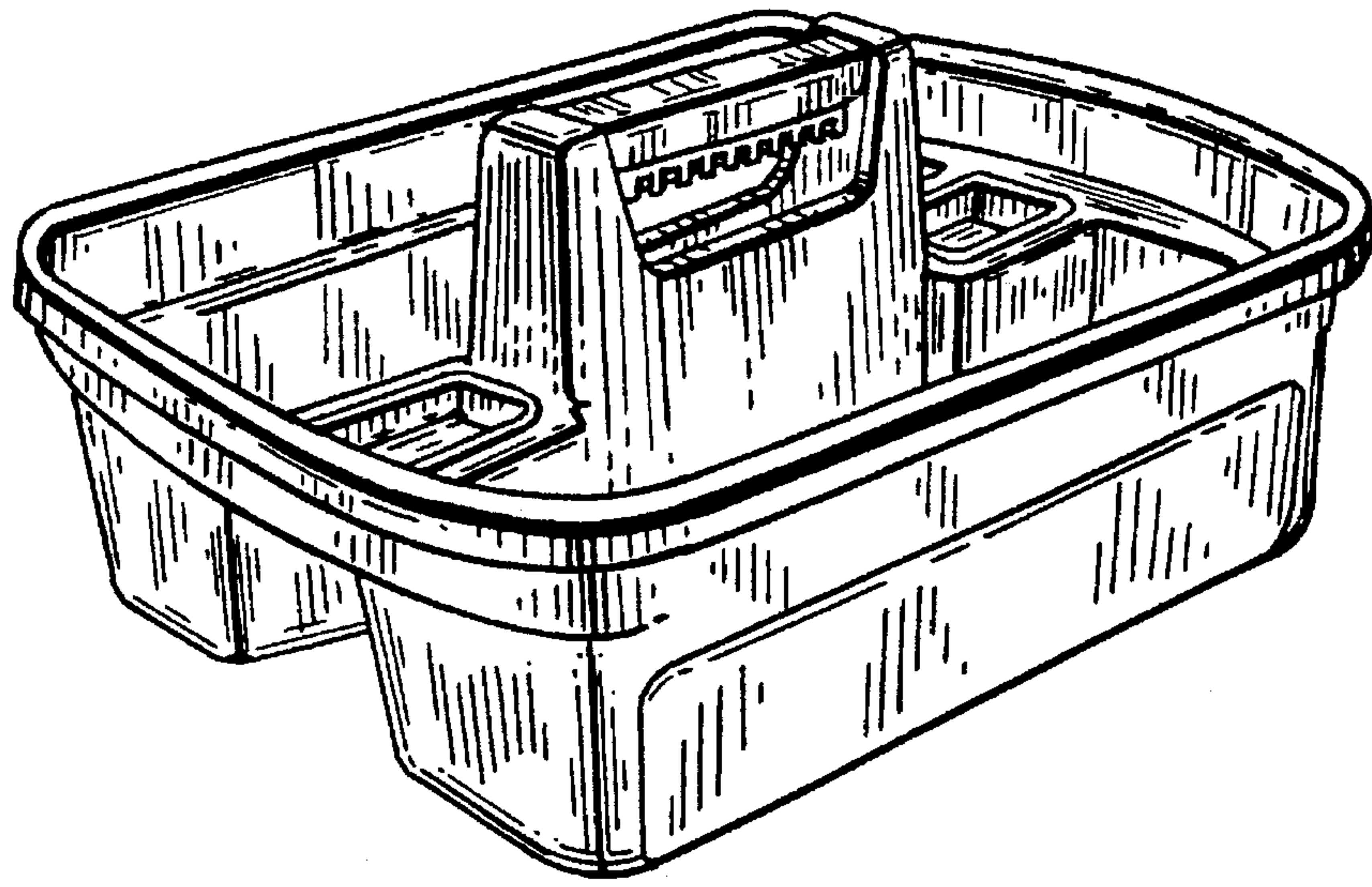


FIG. 1

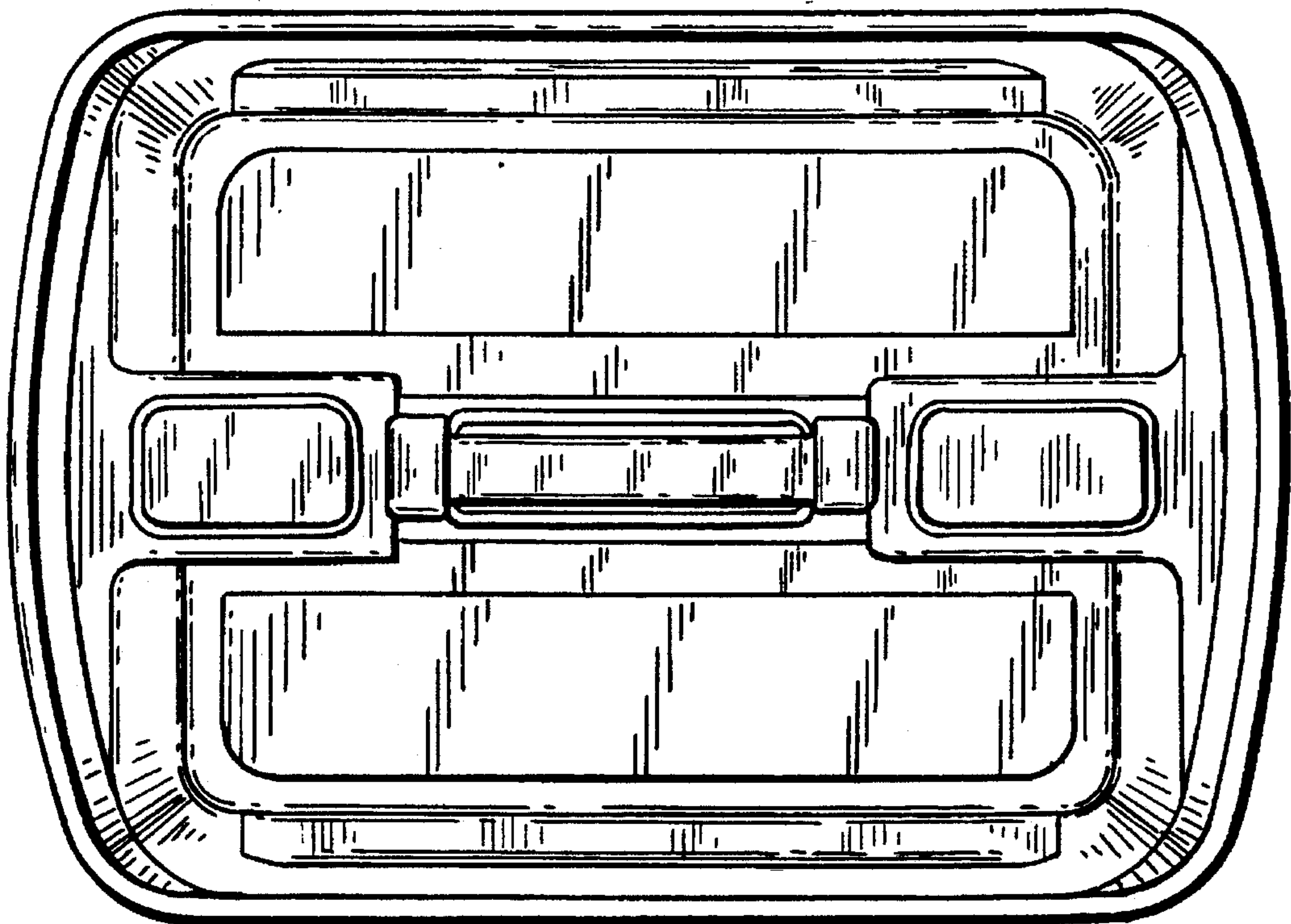


FIG. 2

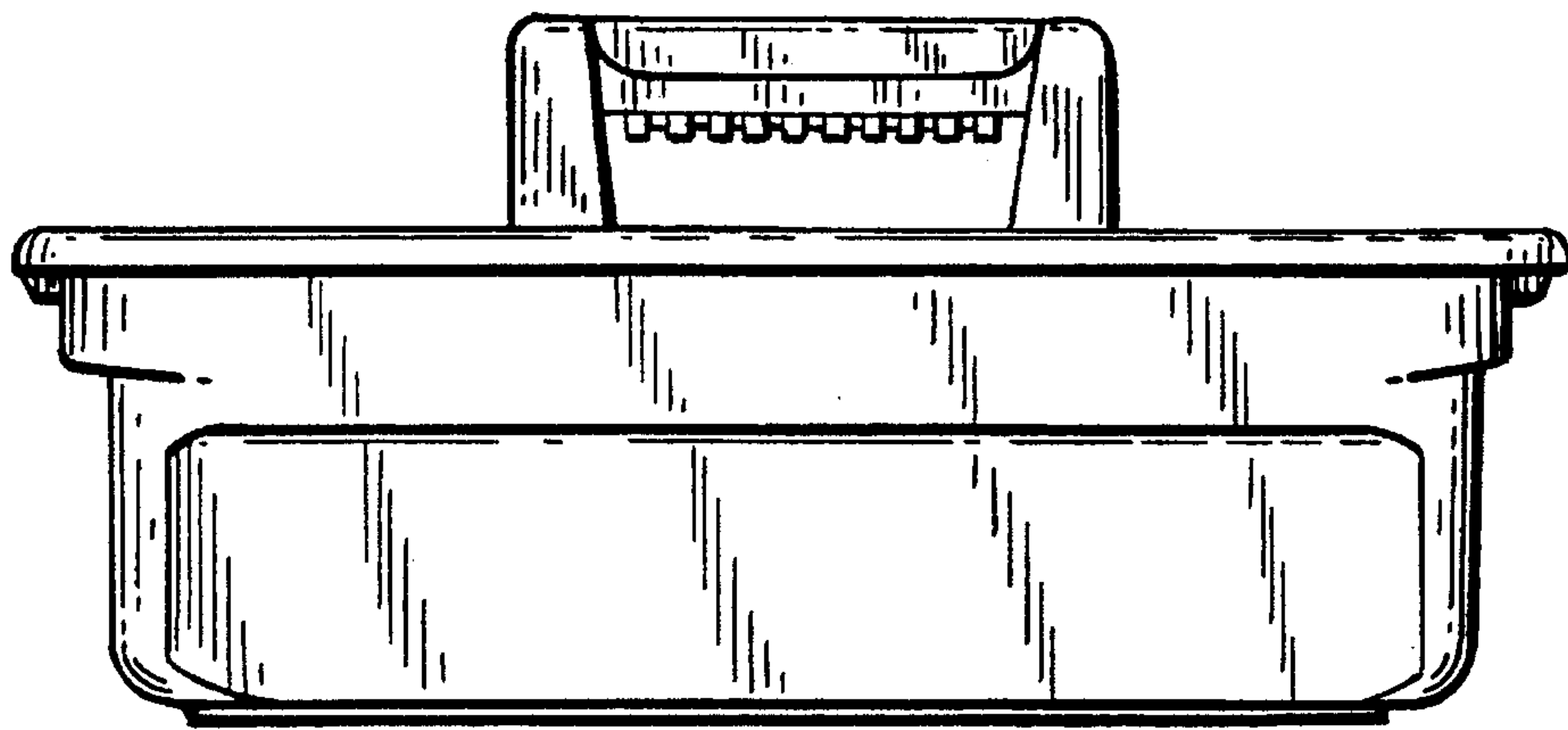


FIG. 3

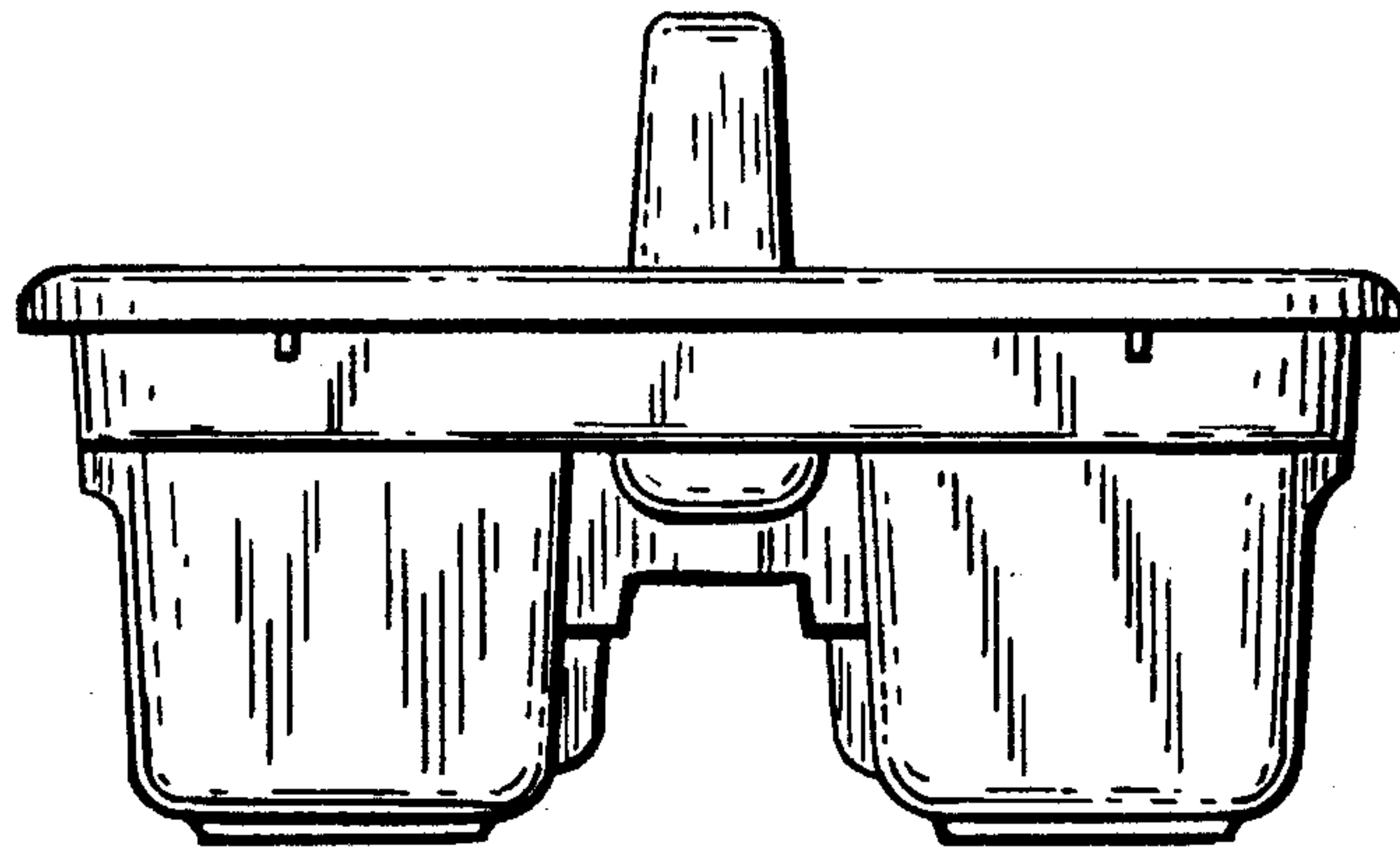


FIG. 4

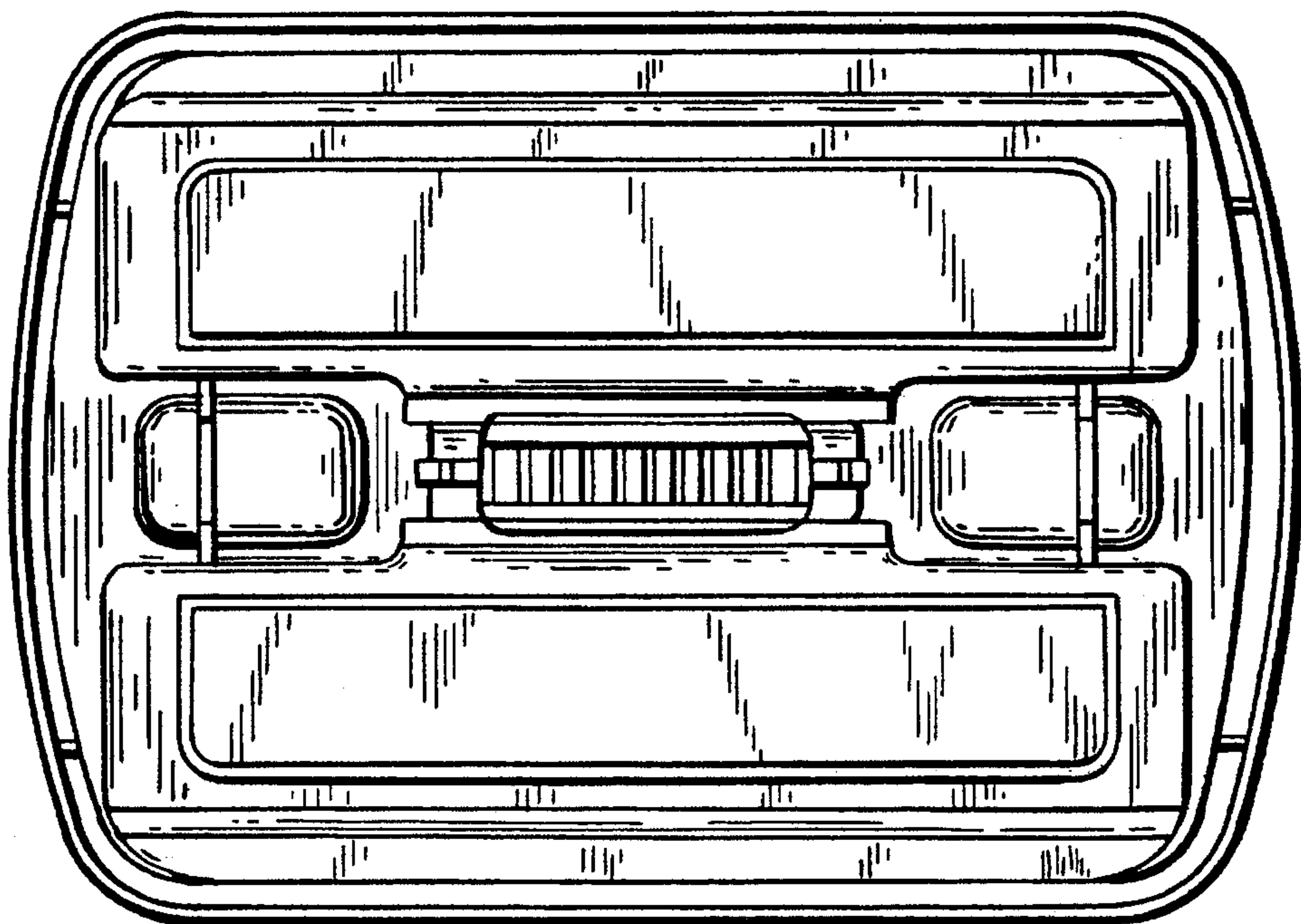


FIG. 5