



US00D364036S

United States Patent [19]

[11] Patent Number: **Des. 364,036**

Passke et al.

[45] Date of Patent: ****Nov. 14, 1995**

- [54] **BLADDER FOR A SHOE SOLE**
- [75] Inventors: **Joel L. Passke**, Portland; **James C. Sell, Jr.**, Beaverton; **Michael T. Donaghu**; **John C. Tawney**, both of Portland, all of Oreg.
- [73] Assignee: **Nike, Inc.**, Beaverton, Oreg.
- [**] Term: **14 Years**
- [21] Appl. No.: **36,196**
- [22] Filed: **Mar. 15, 1995**
- [52] U.S. Cl. **D2/961**
- [58] Field of Search D2/961, 977; 36/88, 36/35 B, 137, 29, 44, 28, 25 R, 114, 32 R

4,852,274	8/1989	Wilson	36/29
5,005,300	4/1991	Diaz et al.	36/114
5,131,174	7/1992	Drew et al.	36/35 B
5,353,459	10/1994	Potter et al.	12/146 R

OTHER PUBLICATIONS

Exhibits A-H, Photographs of Bladders.
 Nike 1995 Spring Catalog, Published Jun. 1994, p. 4.
 Nike 1994 Fall Catalog, Published Nov. 1993, pp. 2, 3, 4, and 5.

Primary Examiner—Doris V. Coles
Attorney, Agent, or Firm—Banner & Allegretti, Ltd.

[57] CLAIM

The ornamental design for a bladder for a shoe sole, as shown and described.

DESCRIPTION

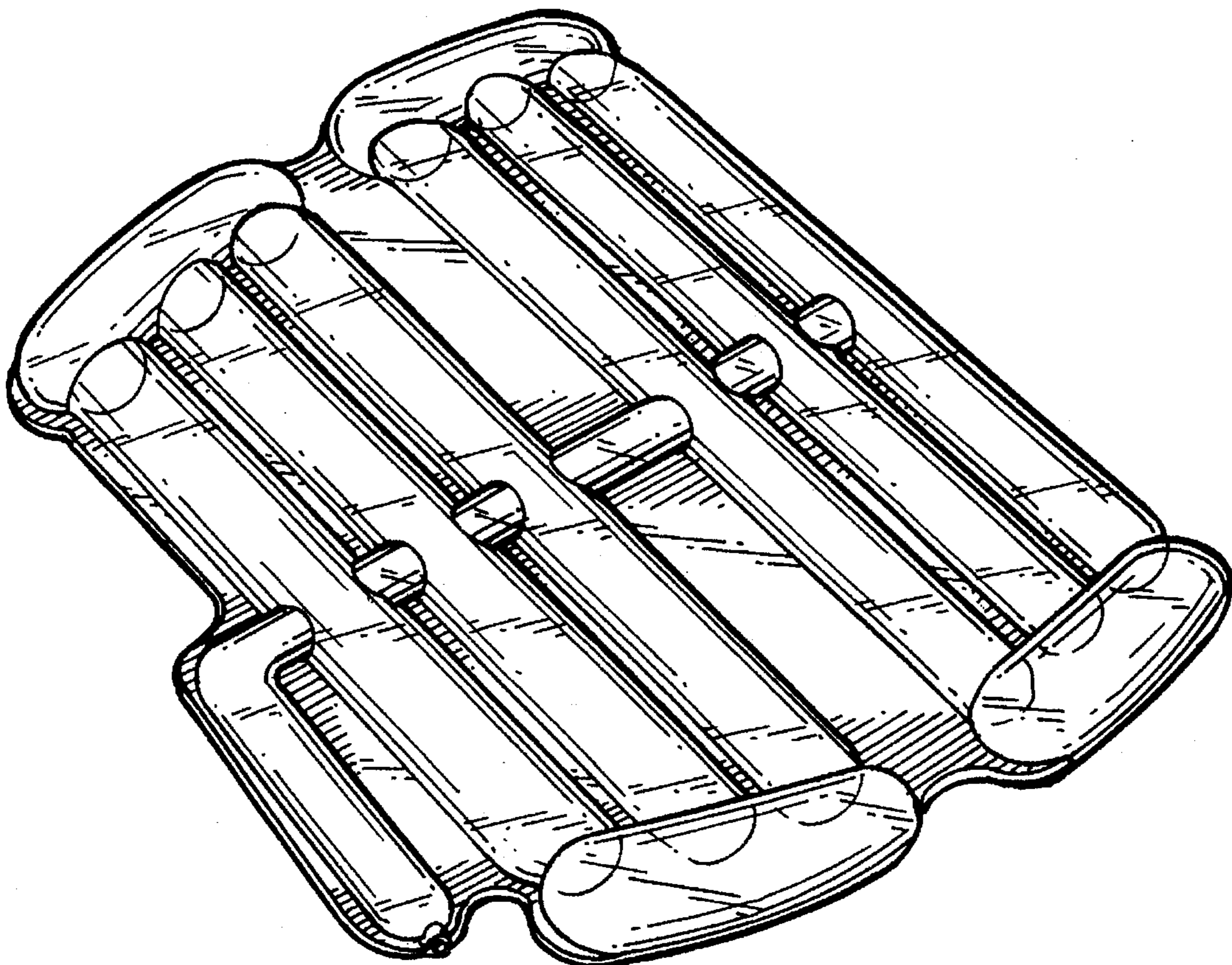
FIG. 1 is a perspective view of an bladder for a shoe sole showing our new design;
 FIG. 2 is a top plan view thereof;
 FIG. 3 is a left side elevational view thereof;
 FIG. 4 is a right side view thereof;
 FIG. 5 is a front view thereof;
 FIG. 6 is a rear elevational view thereof; and,
 FIG. 7 is a cross-sectional view taken along the line 7—7 of FIG. 2.

1 Claim, 3 Drawing Sheets

[56] References Cited

U.S. PATENT DOCUMENTS

D. 300,084	3/1989	Ito et al. .	
D. 300,085	3/1989	Ito et al. .	
D. 336,772	6/1993	Forland et al. .	
D. 349,186	8/1994	Passke et al.	D2/961
D. 349,804	8/1994	Passke et al.	D2/961
D. 351,056	10/1994	Auger et al.	D2/961
4,445,283	5/1984	Meyers	36/29
4,768,295	9/1988	Ito	36/28
4,782,603	11/1988	Brown	36/29
4,817,304	4/1989	Parker et al.	36/114



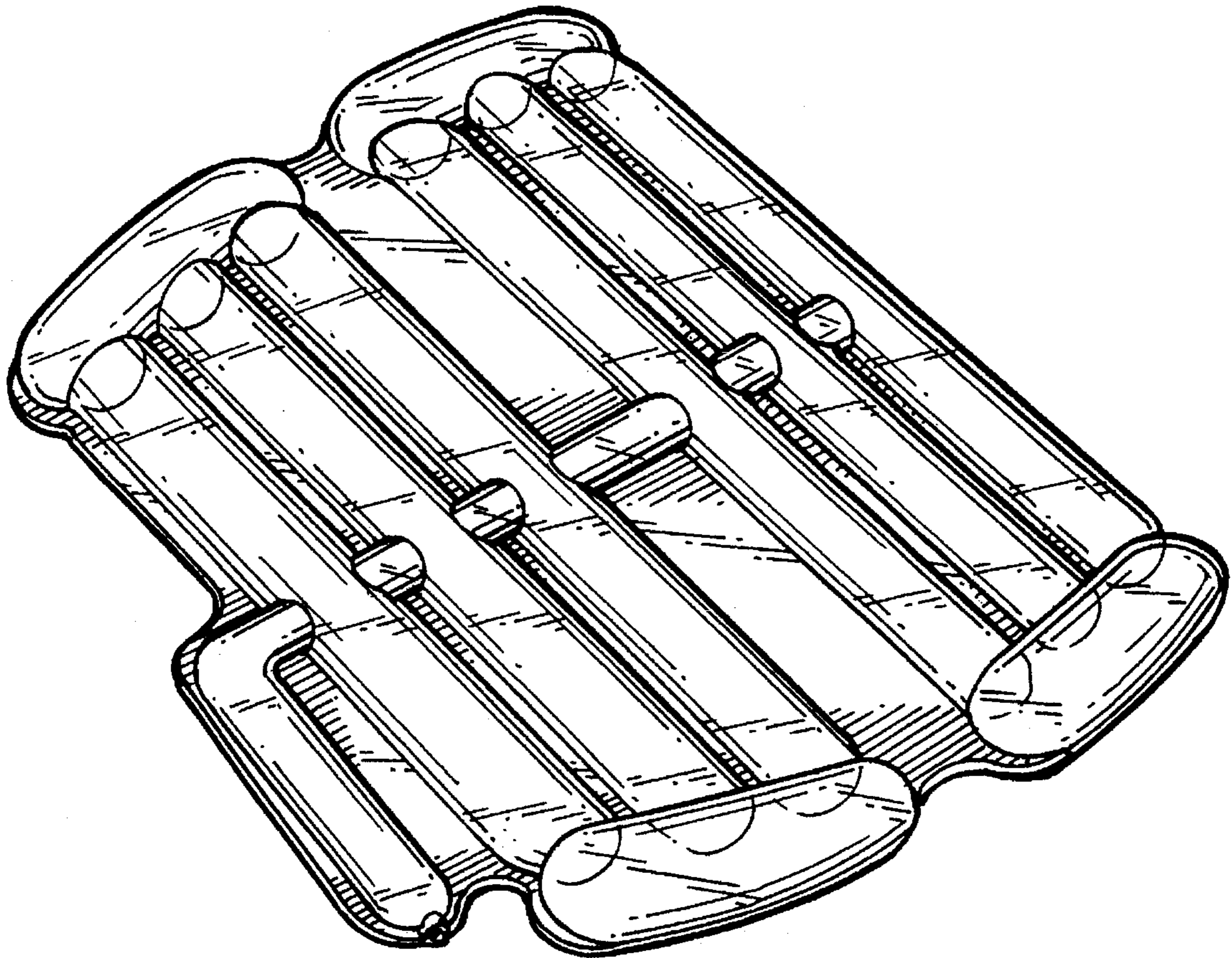


FIG. 1

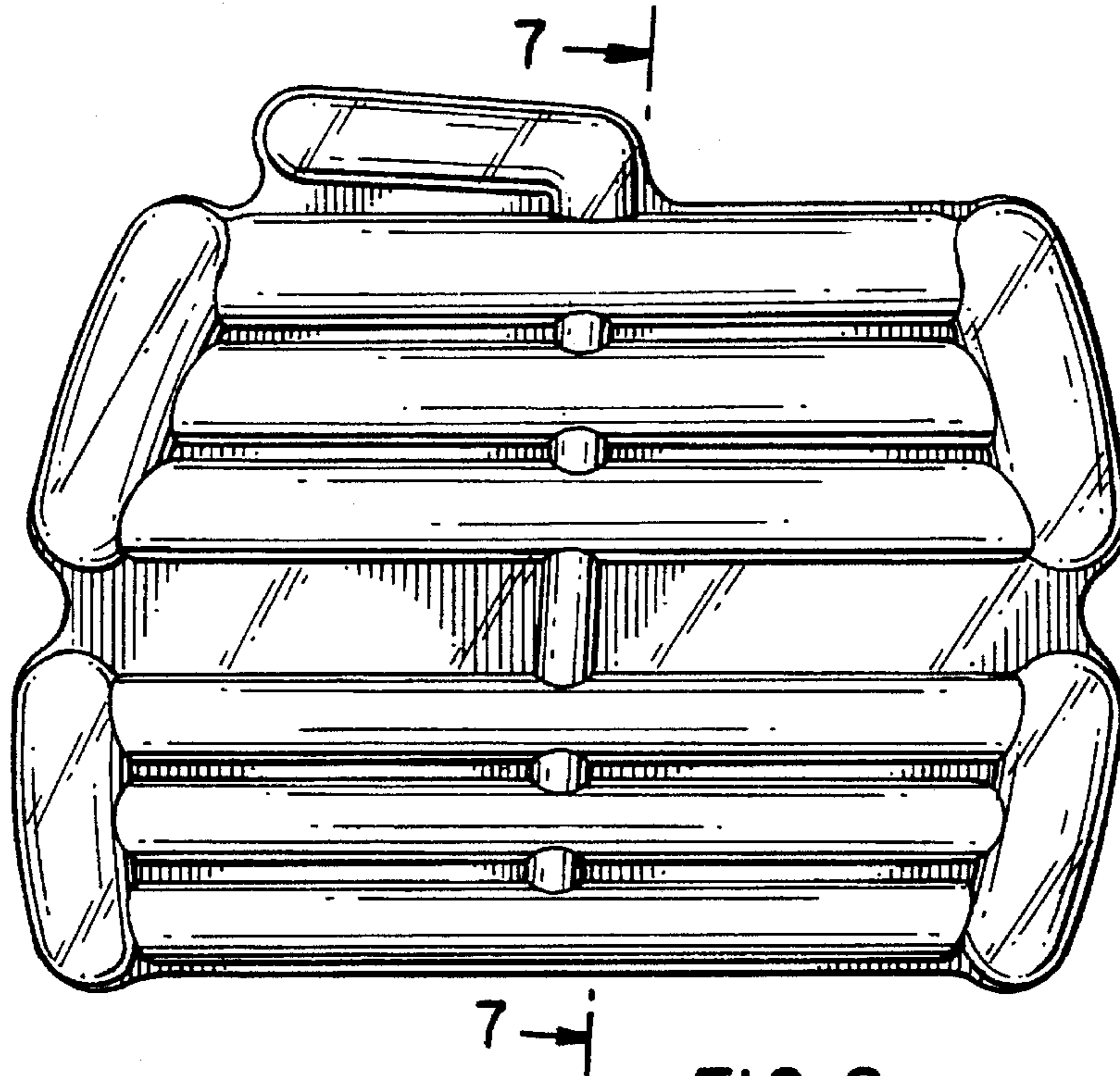


FIG. 2

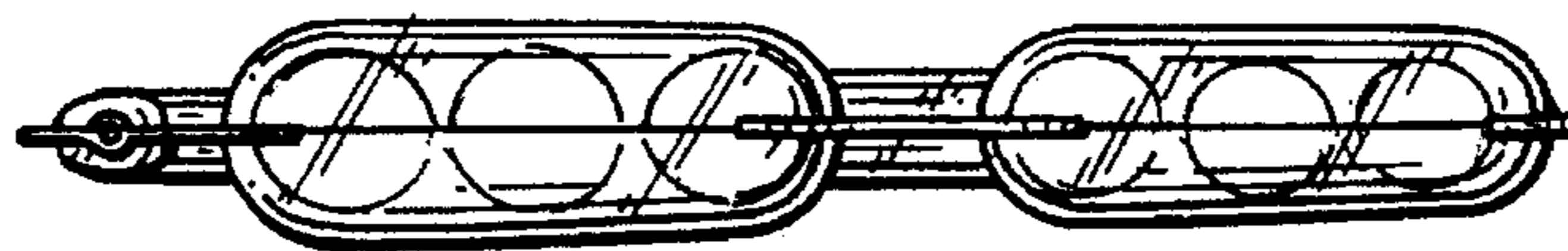


FIG. 3

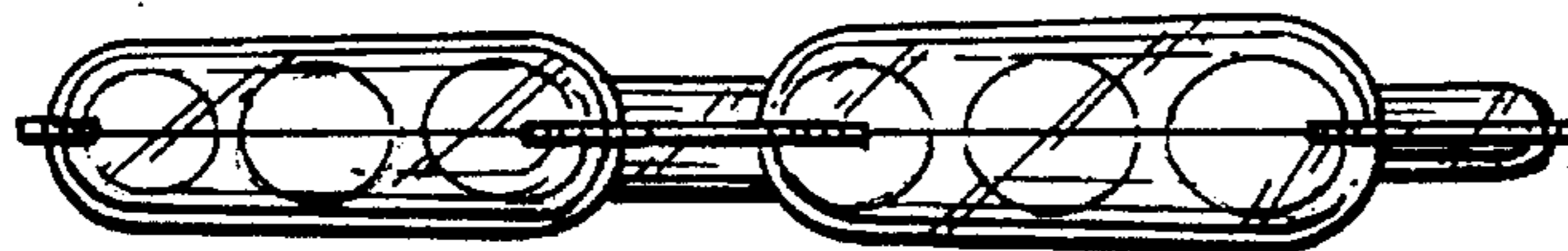


FIG. 4

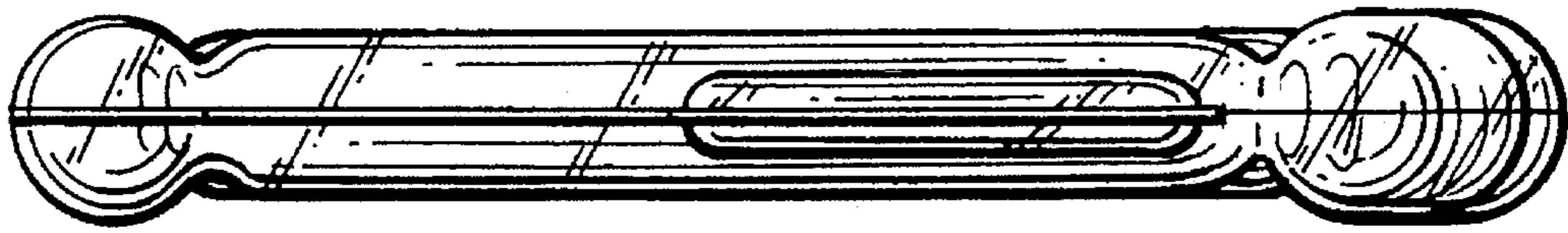


FIG. 5



FIG. 6

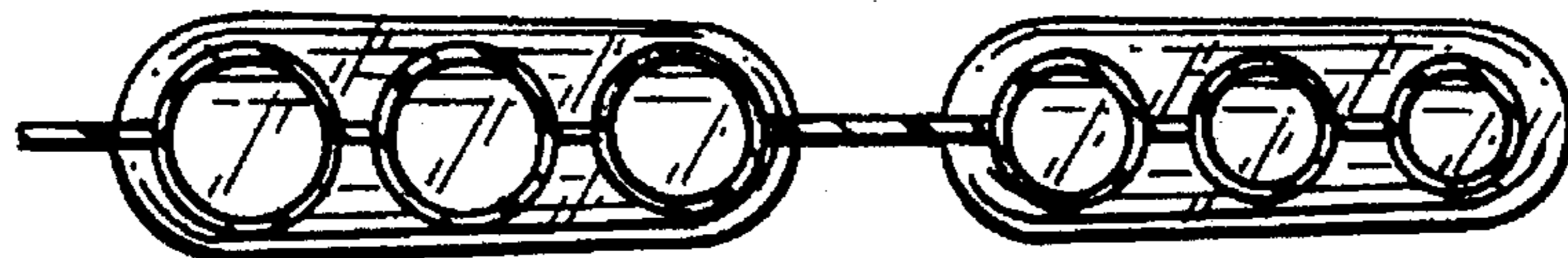


FIG. 7