



US00D364029S

United States Patent [19]

[11] **Patent Number:** **Des. 364,029**

Noonan et al.

[45] **Date of Patent:** ****Nov. 7, 1995**

[54] **ANGLED TWIST-GRIP HANDLE**

[75] Inventors: **Daniel T. Noonan**, Greene; **Howard S. Ryan**, Skaneateles; **Timothy Fitch**, Marcellus, all of N.Y.

[73] Assignee: **The Raymond Corporation**, Greene, N.Y.

[**] Term: **14 Years**

[21] Appl. No.: **25,477**

[22] Filed: **Jun. 29, 1994**

[52] U.S. Cl. **D34/35**

[58] **Field of Search** D34/27, 28, 34, D34/35; D12/174, 179; D21/48; D8/303; 16/DIG. 12; 74/603, 732.1, 321, 322; 280/43.12

[56] **References Cited**

U.S. PATENT DOCUMENTS

- D. 235,987 7/1975 Mono D34/35
- D. 343,935 2/1994 Drobeck D34/35

Primary Examiner—A. Hugo Word
Assistant Examiner—Robin V. Taylor
Attorney, Agent, or Firm—Salzman & Levy

[57] **CLAIM**

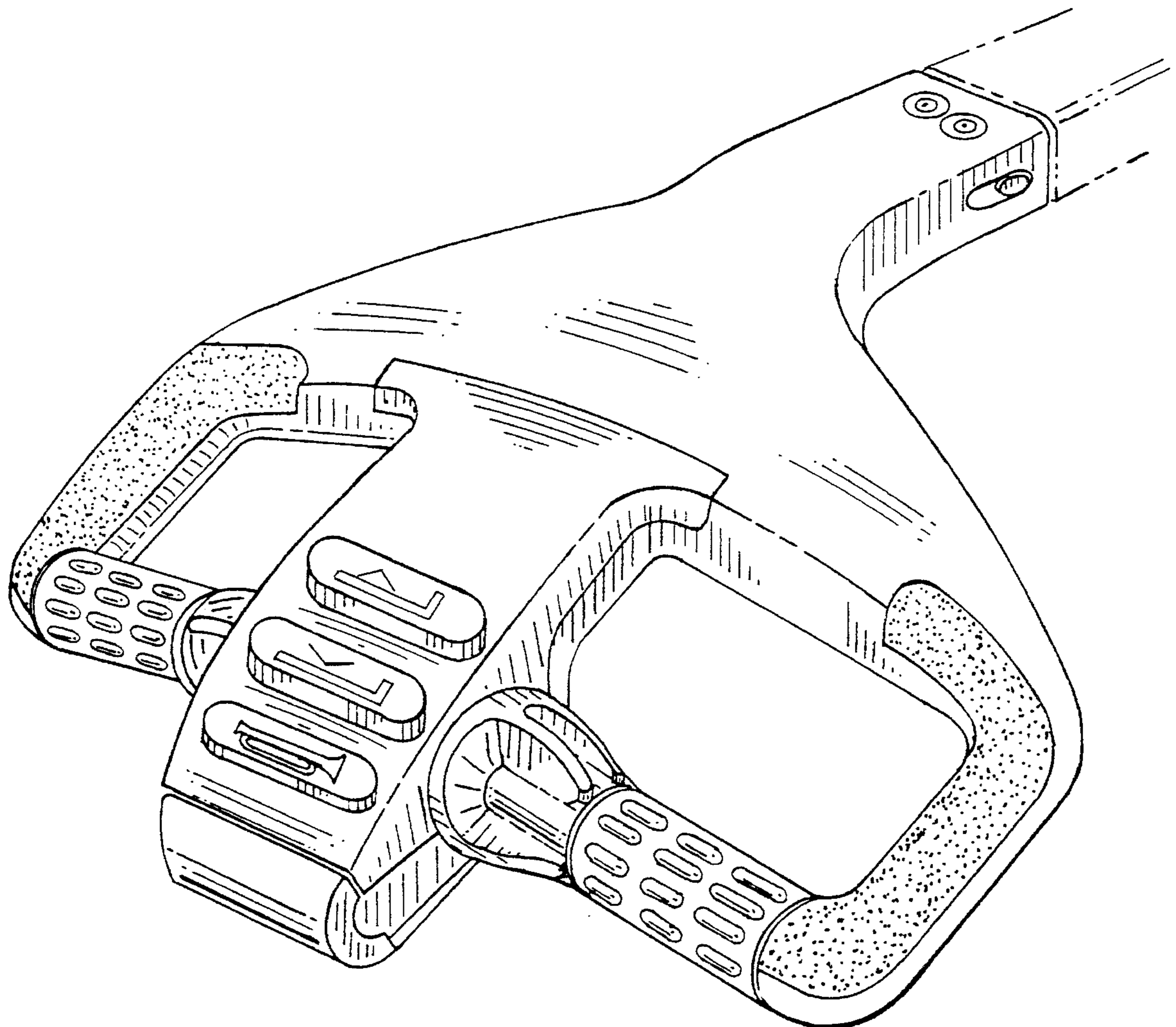
The ornamental design for a angled twist-grip handle, as shown and described.

DESCRIPTION

FIG. 1 is a top, perspective view of an angled twist-grip handle showing our new design; the broken line showing is for illustrative purposes only and forms no part of the claimed design;

FIG. 2 is a top plan view thereof;
FIG. 3 is a front plan view thereof;
FIG. 4 is a bottom plan view thereof;
FIG. 5 is a back plan view thereof;
FIG. 6 is a left side plan view thereof; and,
FIG. 7 is a right side plan view.

1 Claim, 4 Drawing Sheets



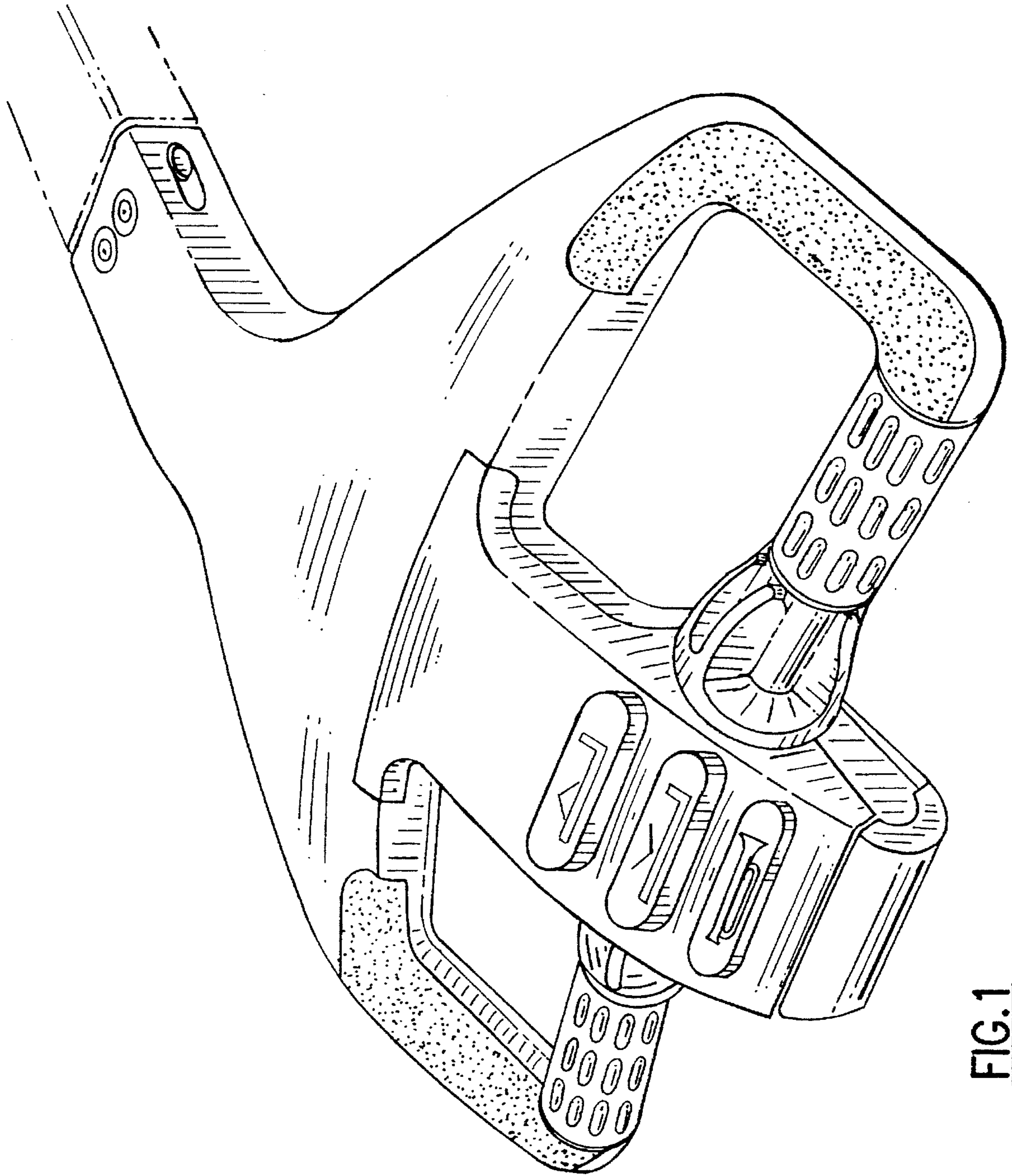


FIG. 1

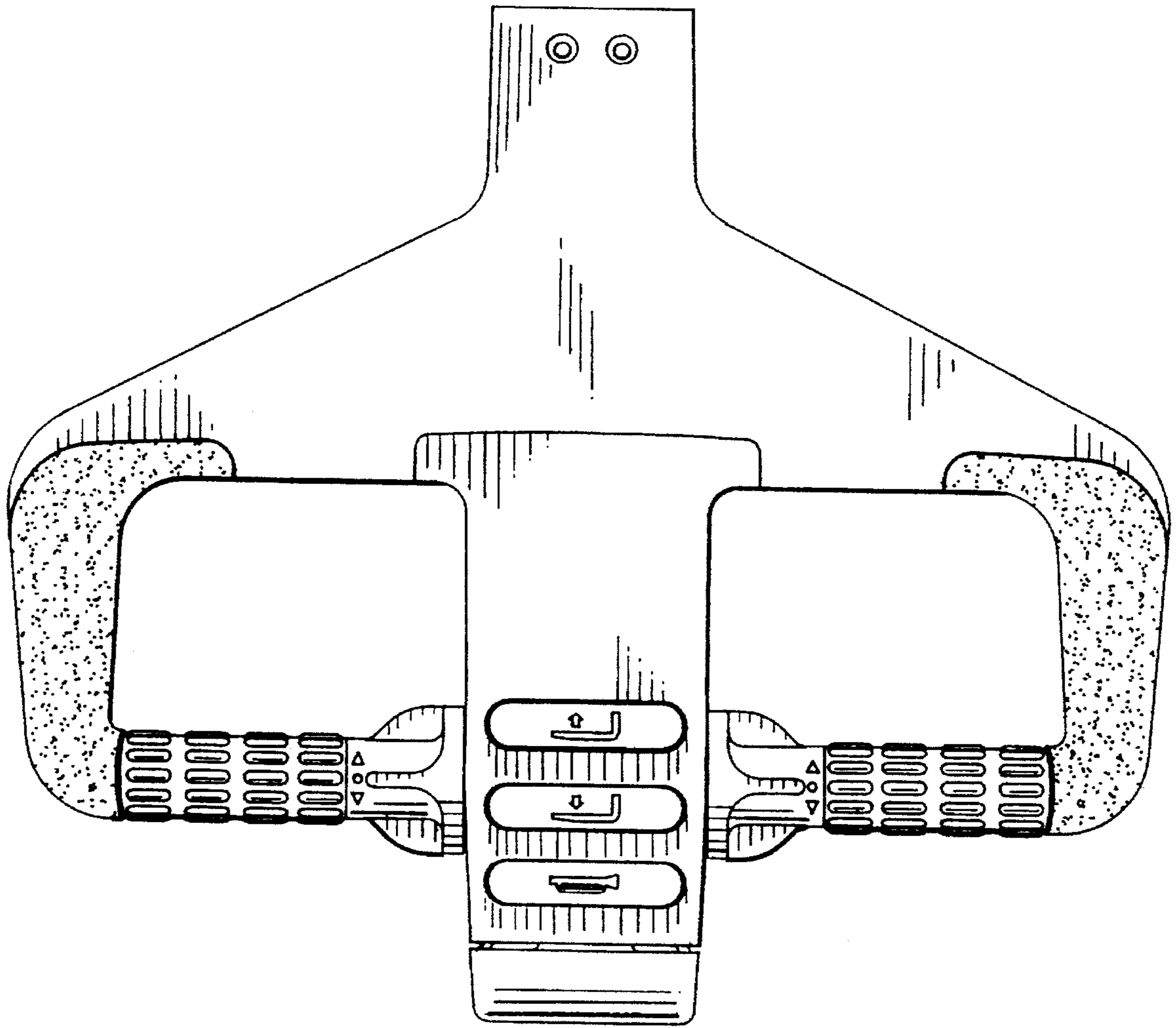


FIG. 2

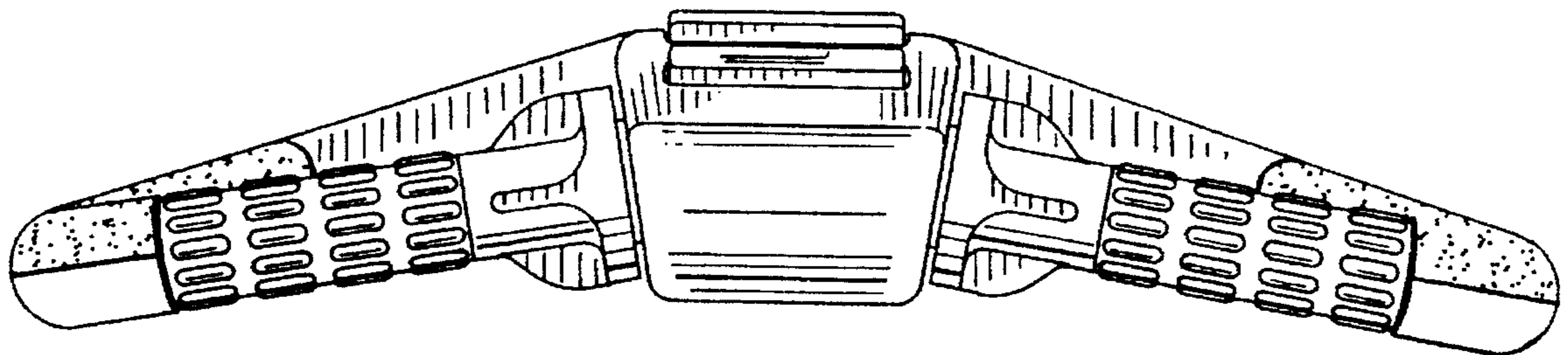


FIG. 3

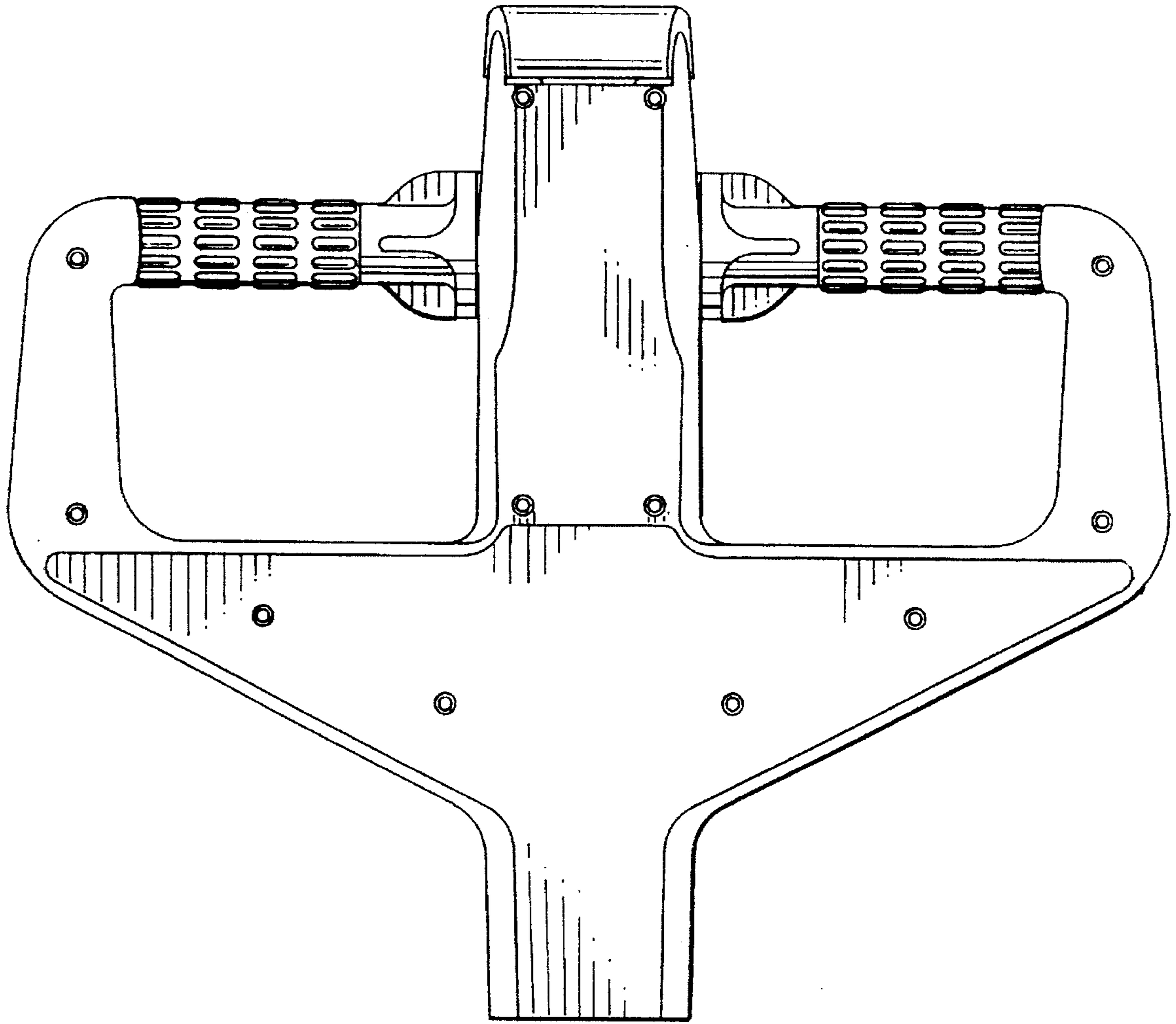


FIG. 4

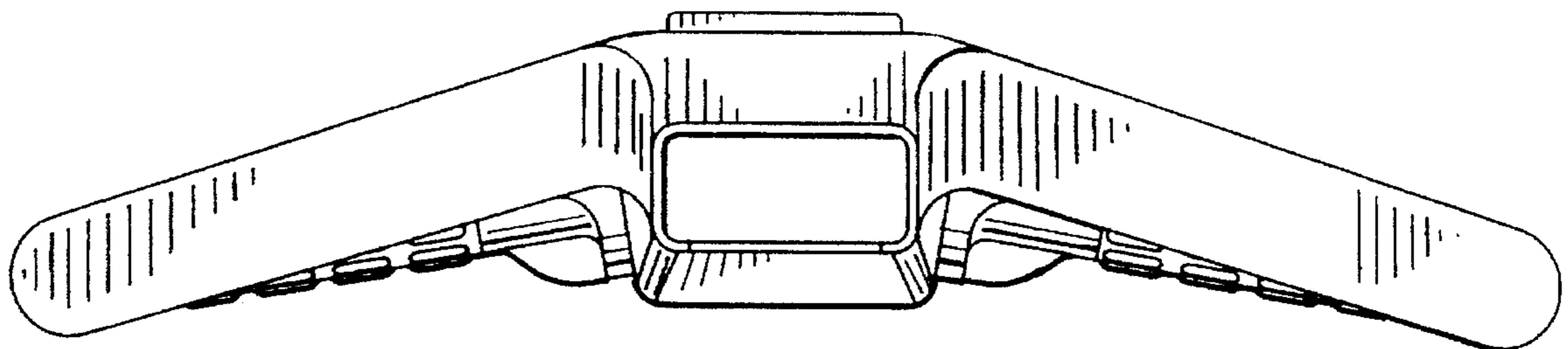


FIG. 5

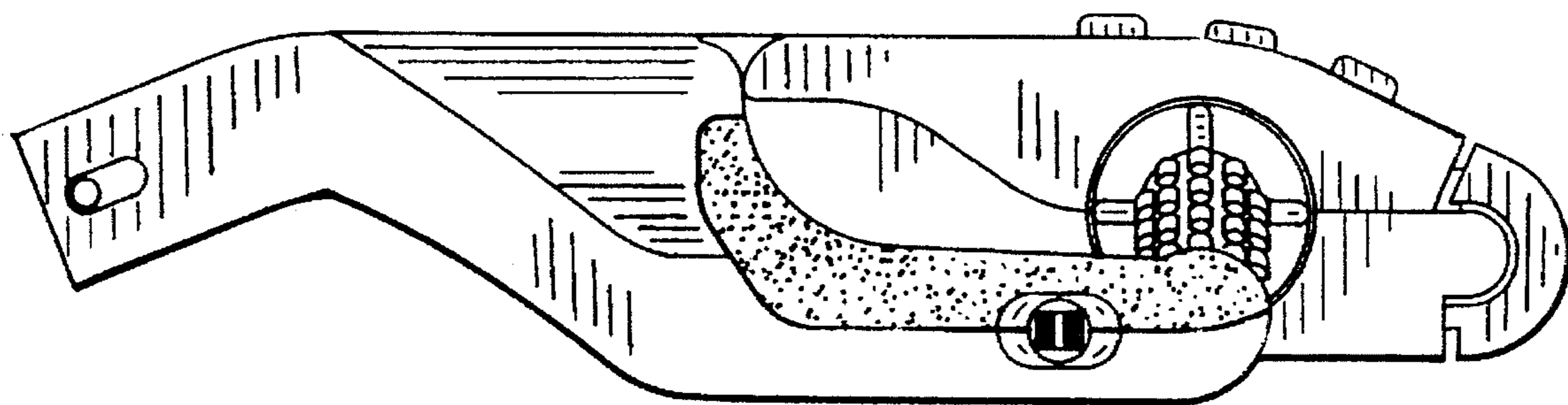


FIG. 6

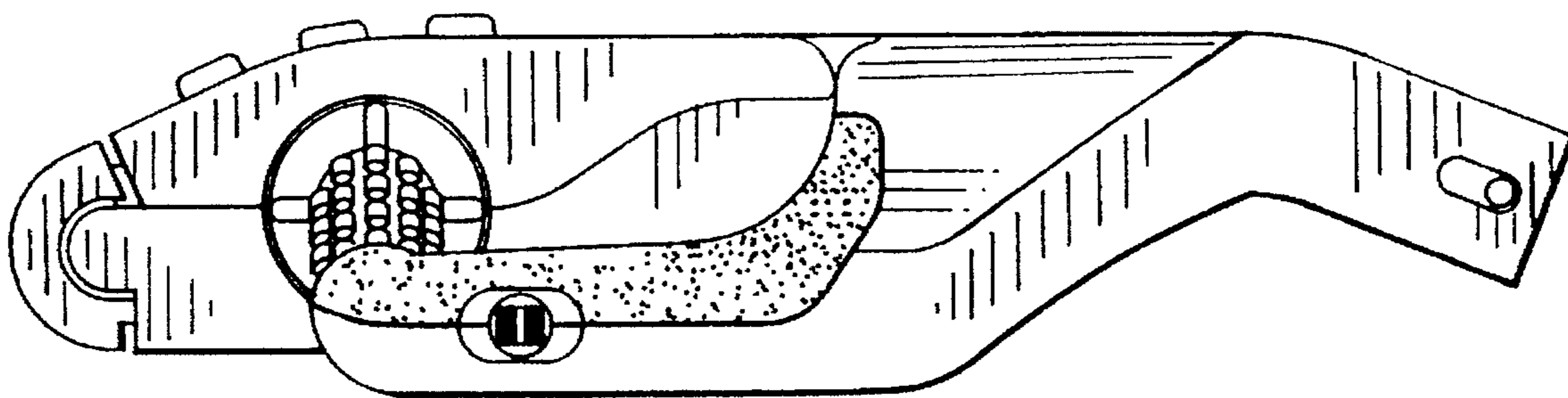


FIG. 7