



US00D364027S

United States Patent [19] Hung

[11] Patent Number: **Des. 364,027**

[45] Date of Patent: ****Nov. 7, 1995**

[54] **ELECTRIC WINCH**

5,374,035 12/1994 Santos 254/323 X

[76] Inventor: **Michael Hung**, 9-16, Nan Kan Hsia,
Nan Kan, Lu Chu Hsiang, Tao Yuan
County, Taiwan

Primary Examiner—Susan J. Lucas
Assistant Examiner—Cynthia E. Ramirez
Attorney, Agent, or Firm—Wenderoth, Lind & Ponack

[**] Term: **14 Years**

[57] **CLAIM**

[21] Appl. No.: **24,532**

The ornamental design for a electric winch, as shown and described.

[22] Filed: **Jun. 15, 1994**

DESCRIPTION

[52] U.S. Cl. **D34/33**

[58] Field of Search D34/28, 29, 33,
D34/34; 254/264, 265, 266, 267, 362, 323

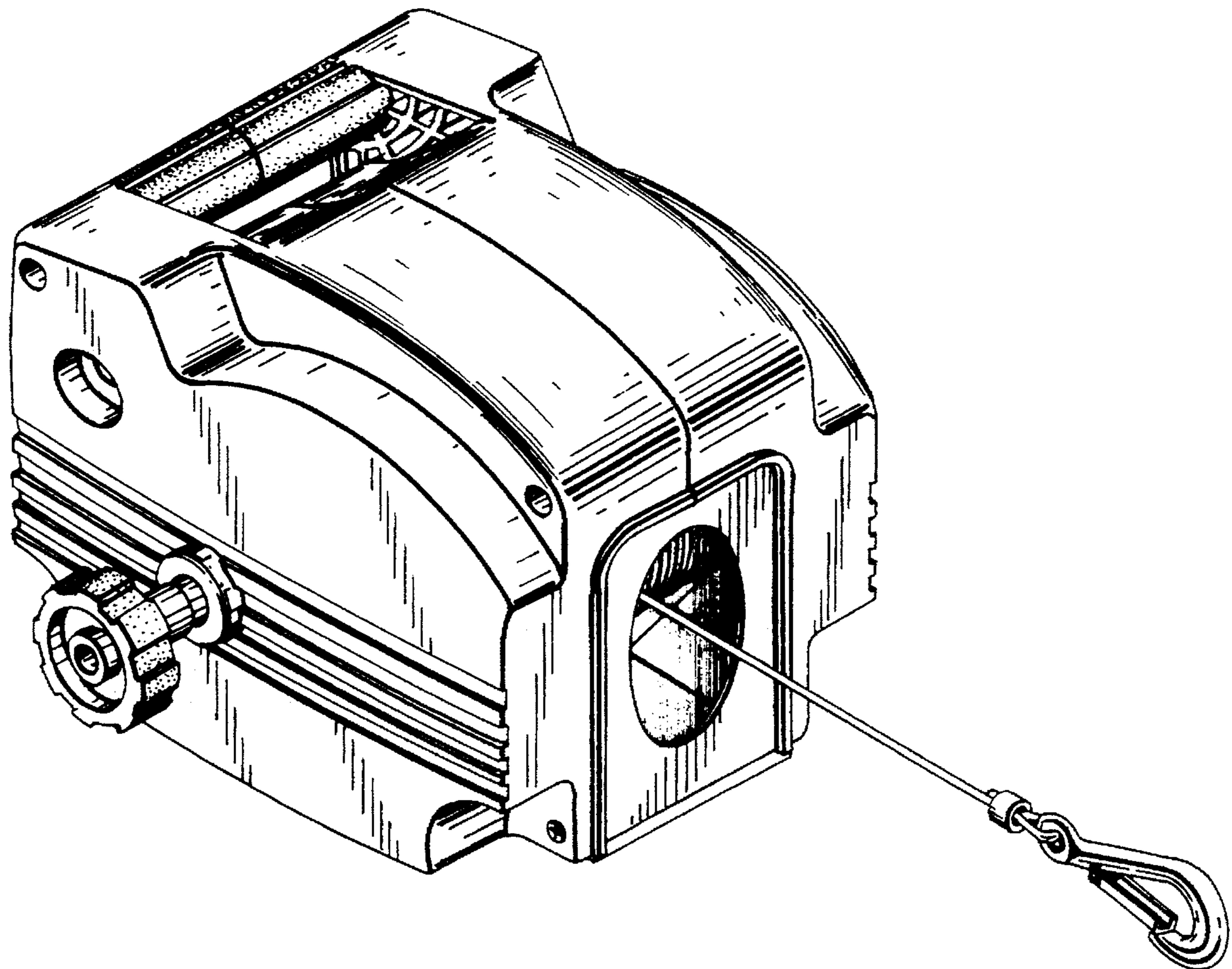
FIGS. 1 and 2 are a top, left front perspective view of a electric winch showing my new design;
FIG. 3 is a front elevational view thereof;
FIG. 4 is a rear elevational view thereof;
FIG. 5 is a top plan view thereof;
FIG. 6 is a bottom plan view thereof;
FIG. 7 is a left side elevational view thereof; and,
FIG. 8 is a right side elevational view thereof.

[56] **References Cited**

U.S. PATENT DOCUMENTS

D. 238,861	2/1976	Cavalier	D34/28
D. 243,940	4/1977	Kuzarov	D34/33
3,170,567	2/1965	Capgras	254/265 X
3,916,487	11/1975	Rinio	254/264 X
4,236,693	12/1980	McCrea	254/323

1 Claim, 4 Drawing Sheets



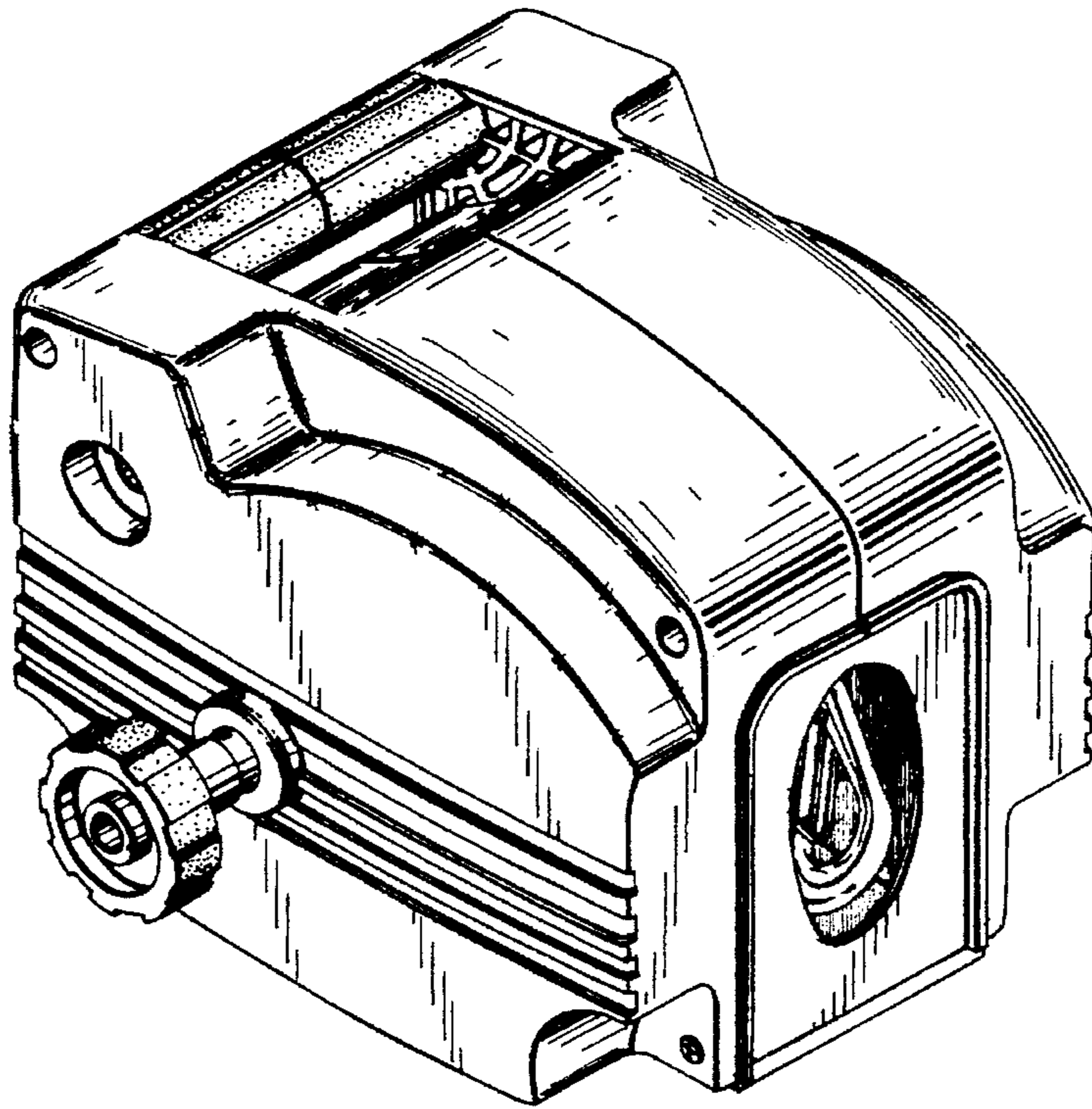


FIG. 1

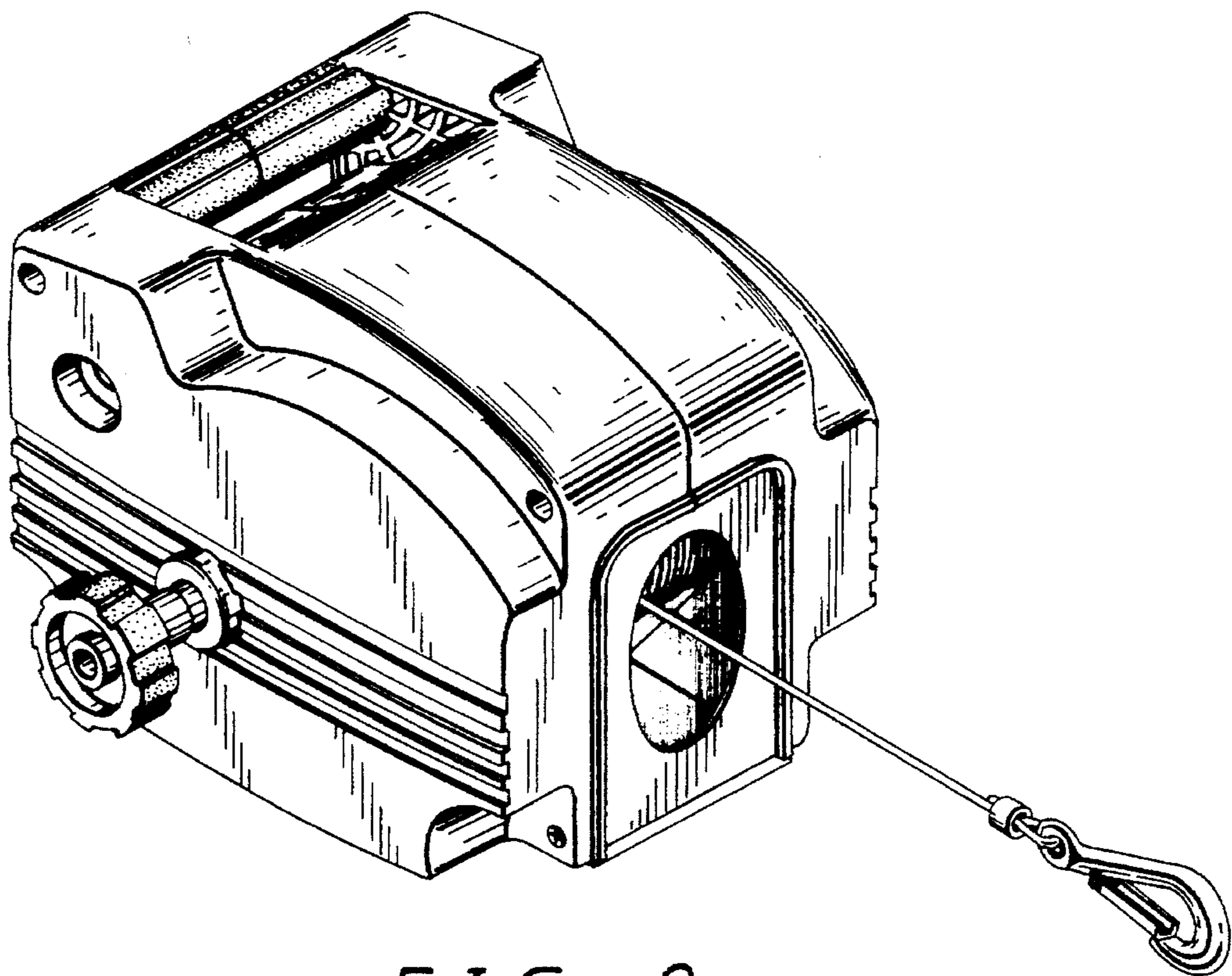


FIG. 2

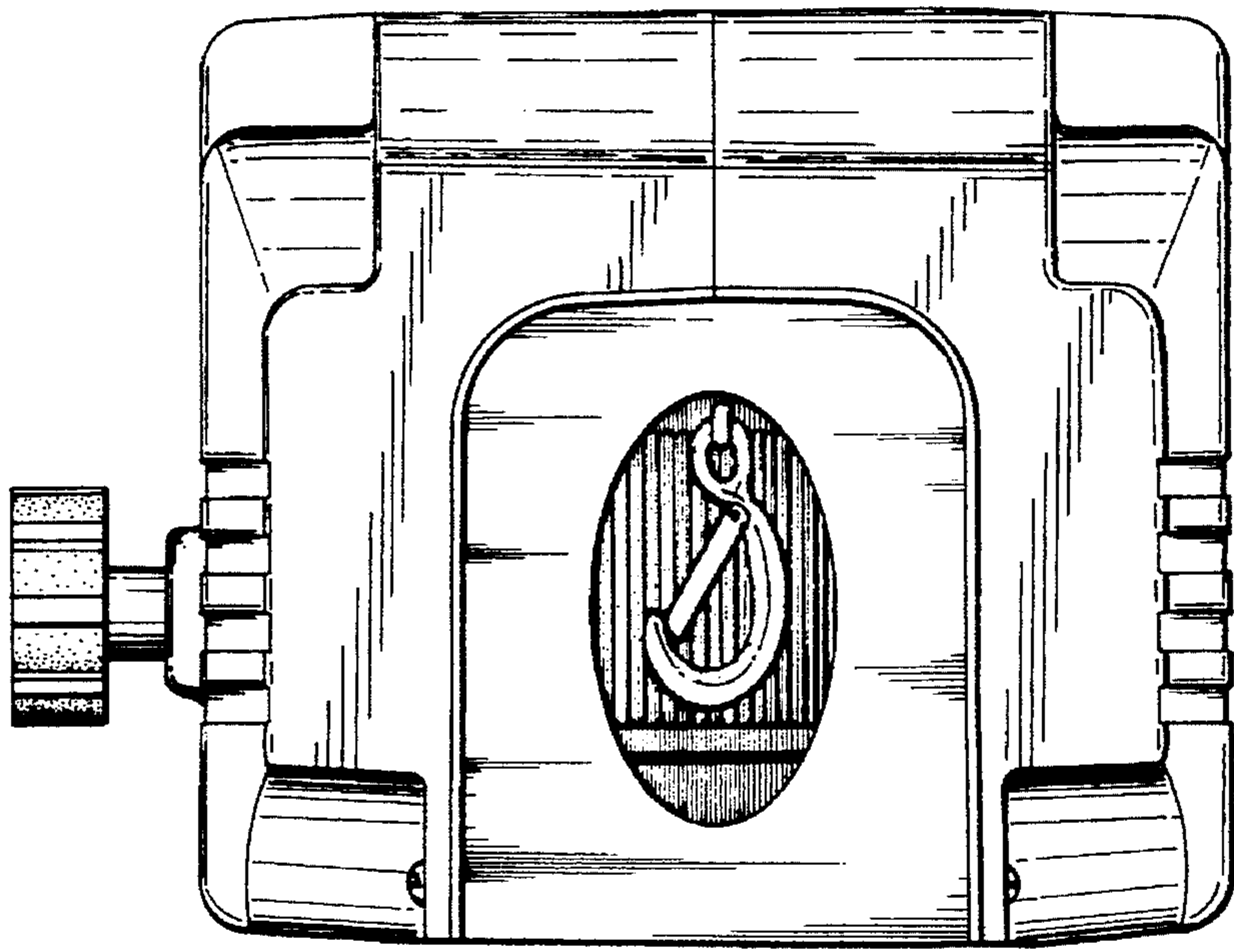


FIG. 3

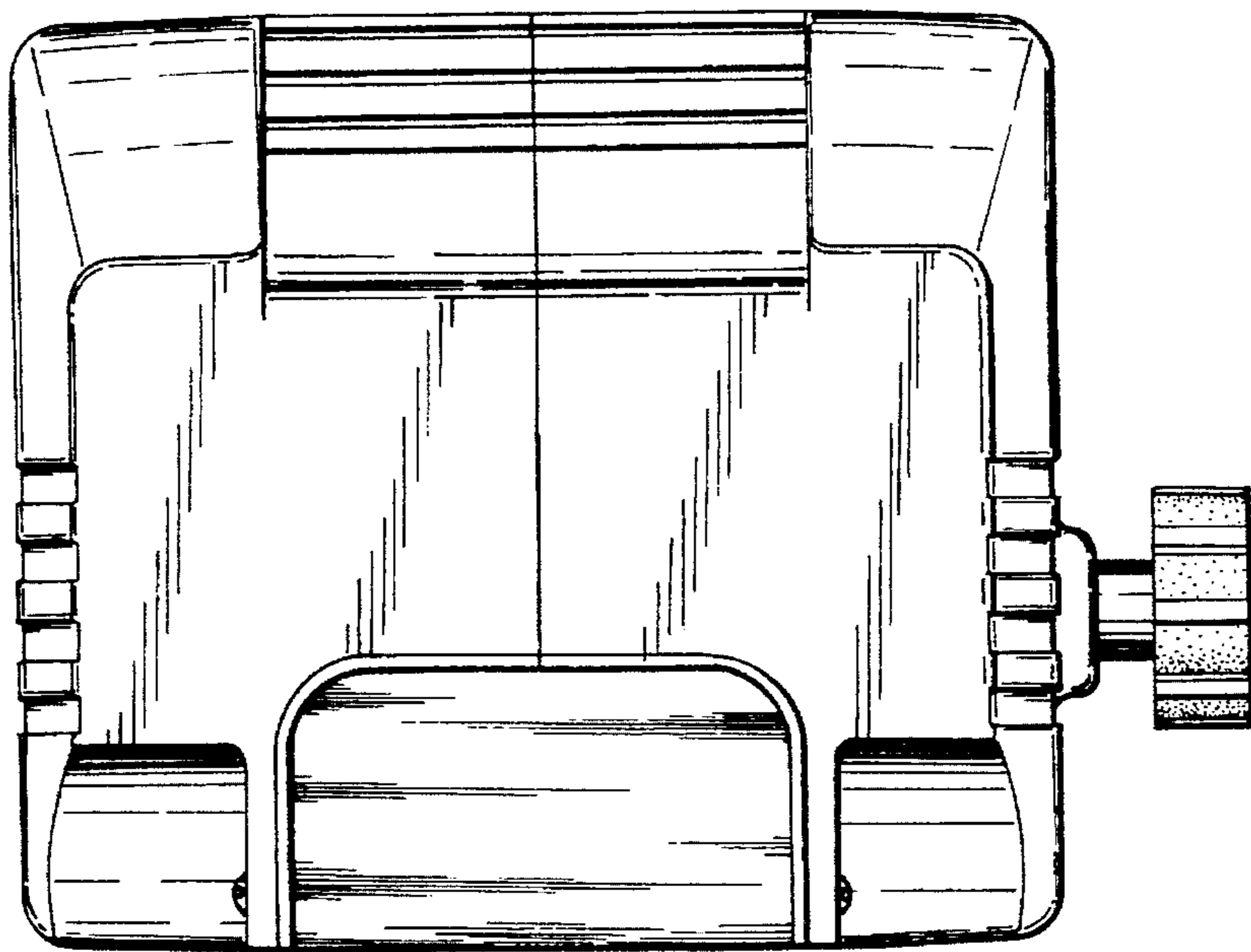


FIG. 4

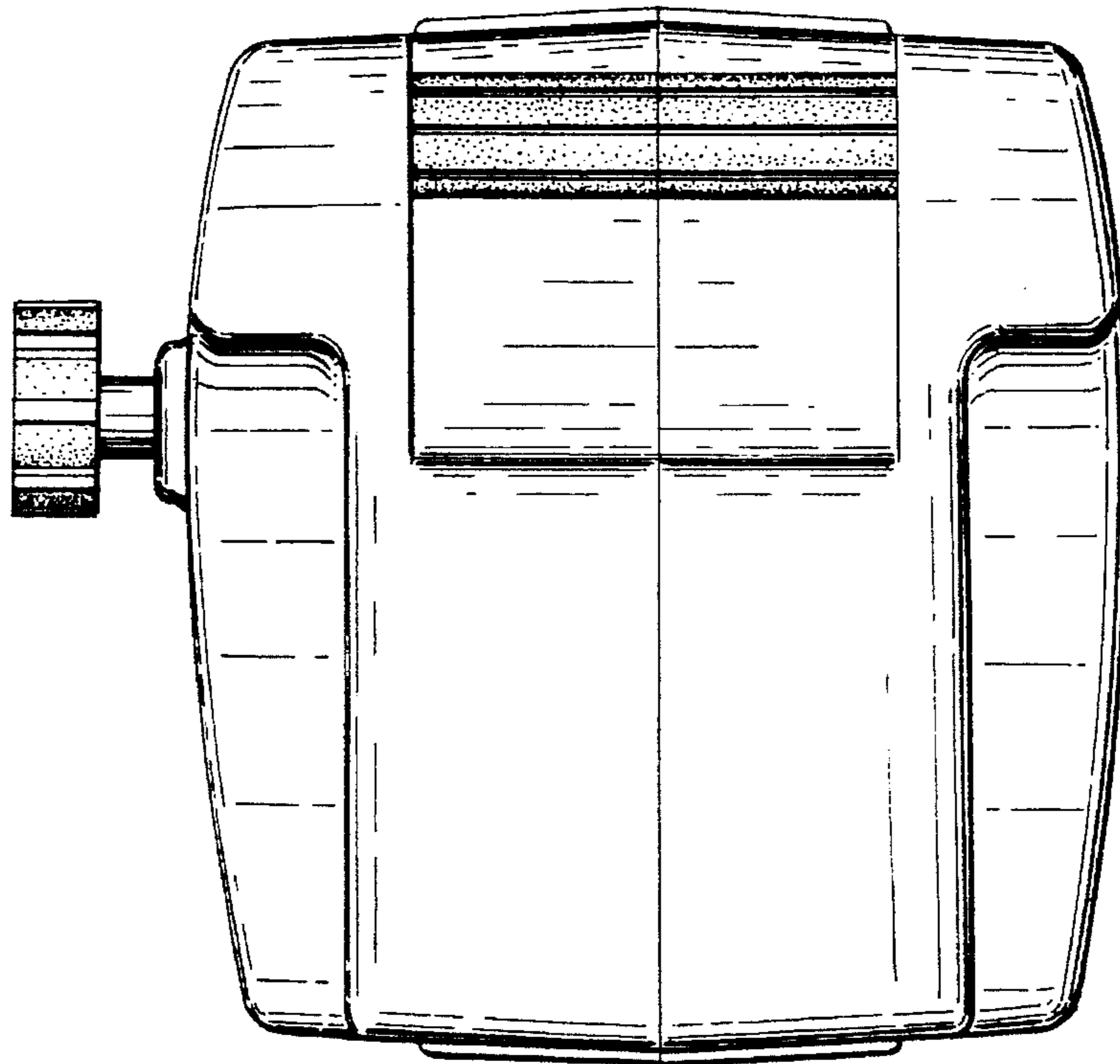


FIG. 5

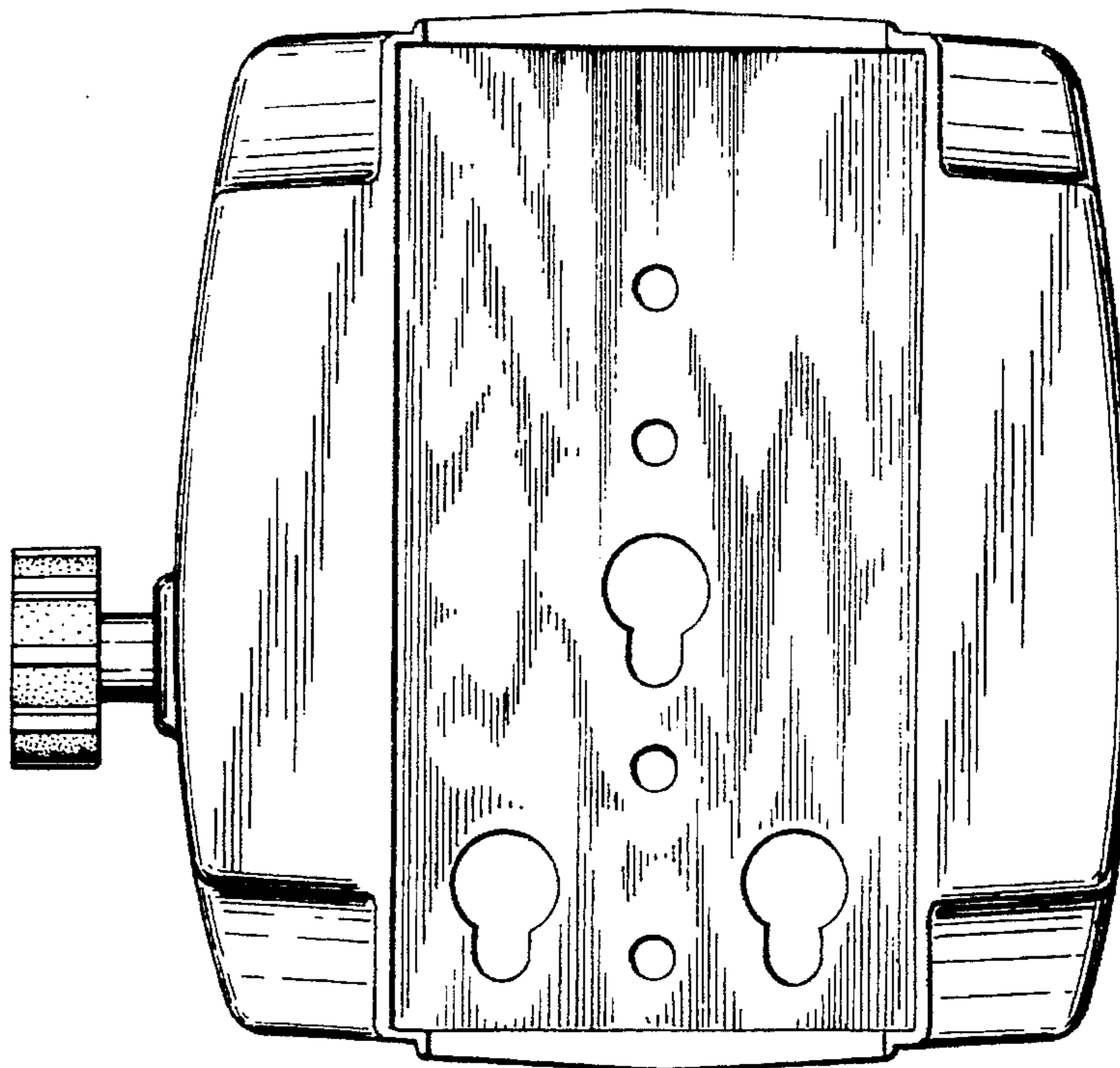


FIG. 6

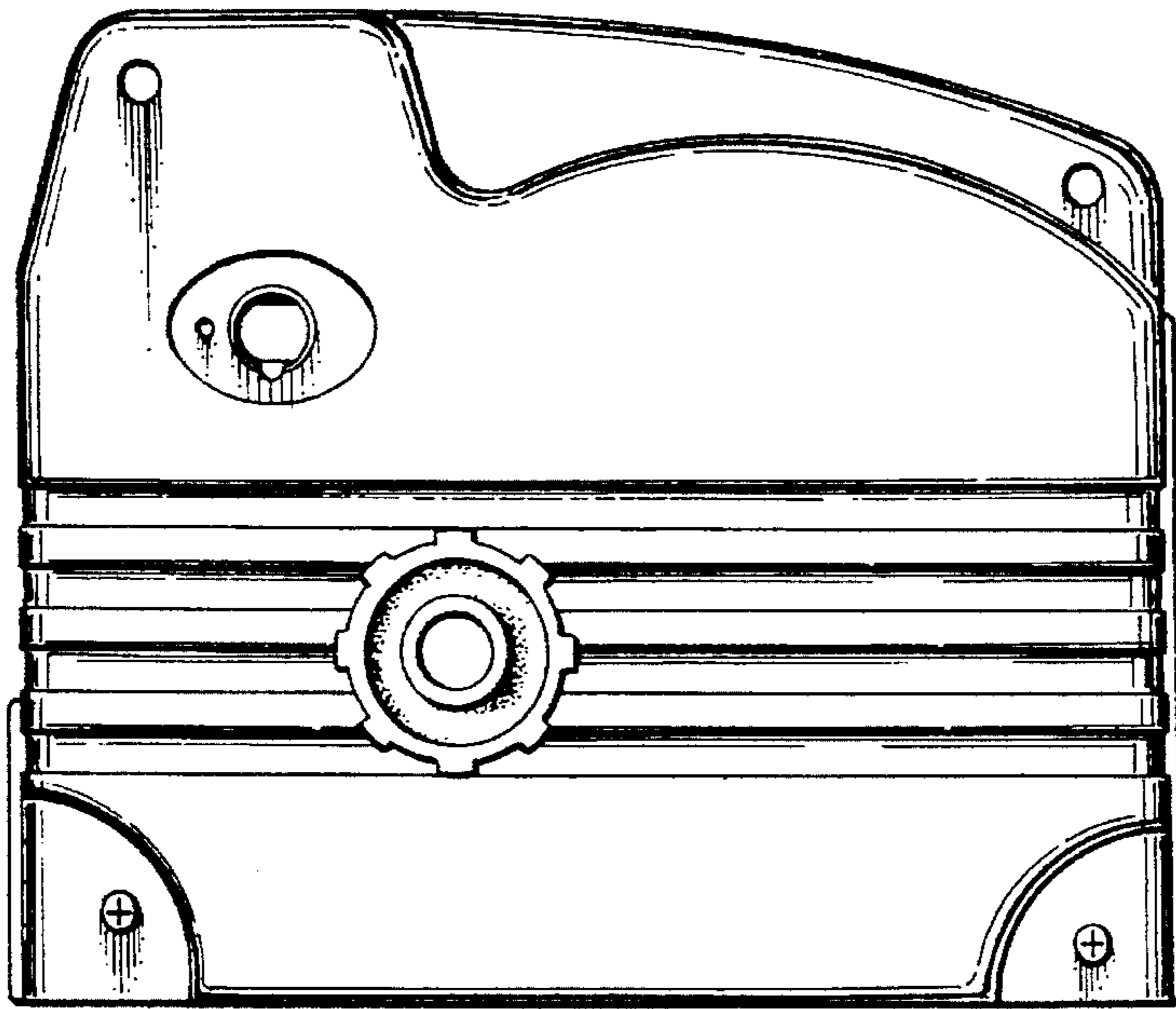


FIG. 7

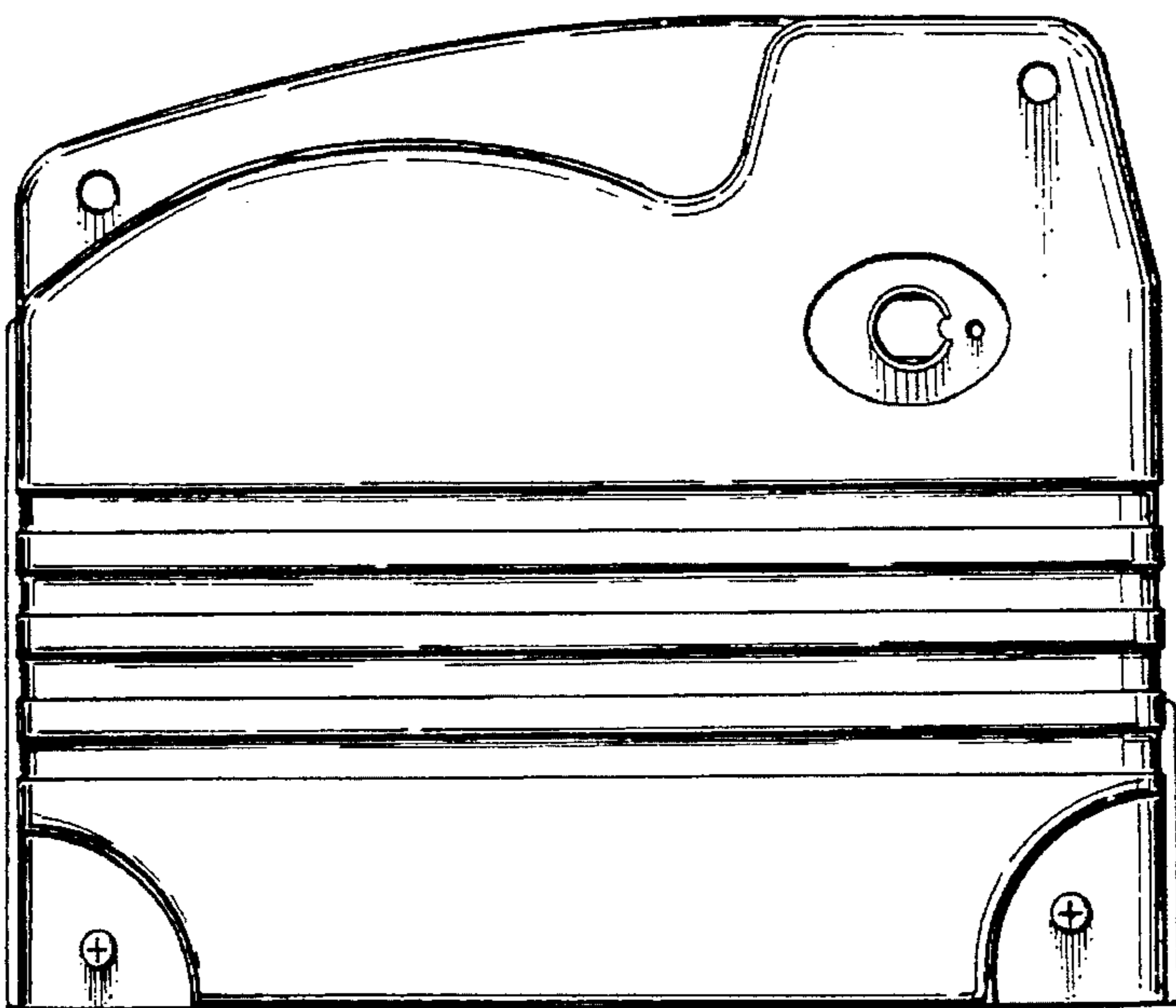


FIG. 8