



US00D364026S

United States Patent [19] Hung

[11] Patent Number: **Des. 364,026**

[45] Date of Patent: ****Nov. 7, 1995**

[54] **JACK**

[76] Inventor: **Michael Hung**, 9-16, Nan Kan Hsia,
Nan Kan, Lu Chu Hsiang, Tao Yuan
County, Taiwan

[**] Term: **14 Years**

[21] Appl. No.: **28,344**

[22] Filed: **Sep. 13, 1994**

[52] U.S. Cl. **D34/31**

[58] **Field of Search** D34/28, 31; 254/8 B,
254/8 R, 11, 84, 86, 93 H, 133-134, 418-419,
420

4,277,048 7/1981 Okuda 254/8 B
4,635,902 1/1987 Chou 254/8 B
4,656,879 4/1987 Jen 254/93 H

Primary Examiner—A. Hugo Word
Assistant Examiner—Robin V. Taylor
Attorney, Agent, or Firm—Wenderoth, Lind & Ponack

[57] CLAIM

The ornamental design for a jack, as shown and described.

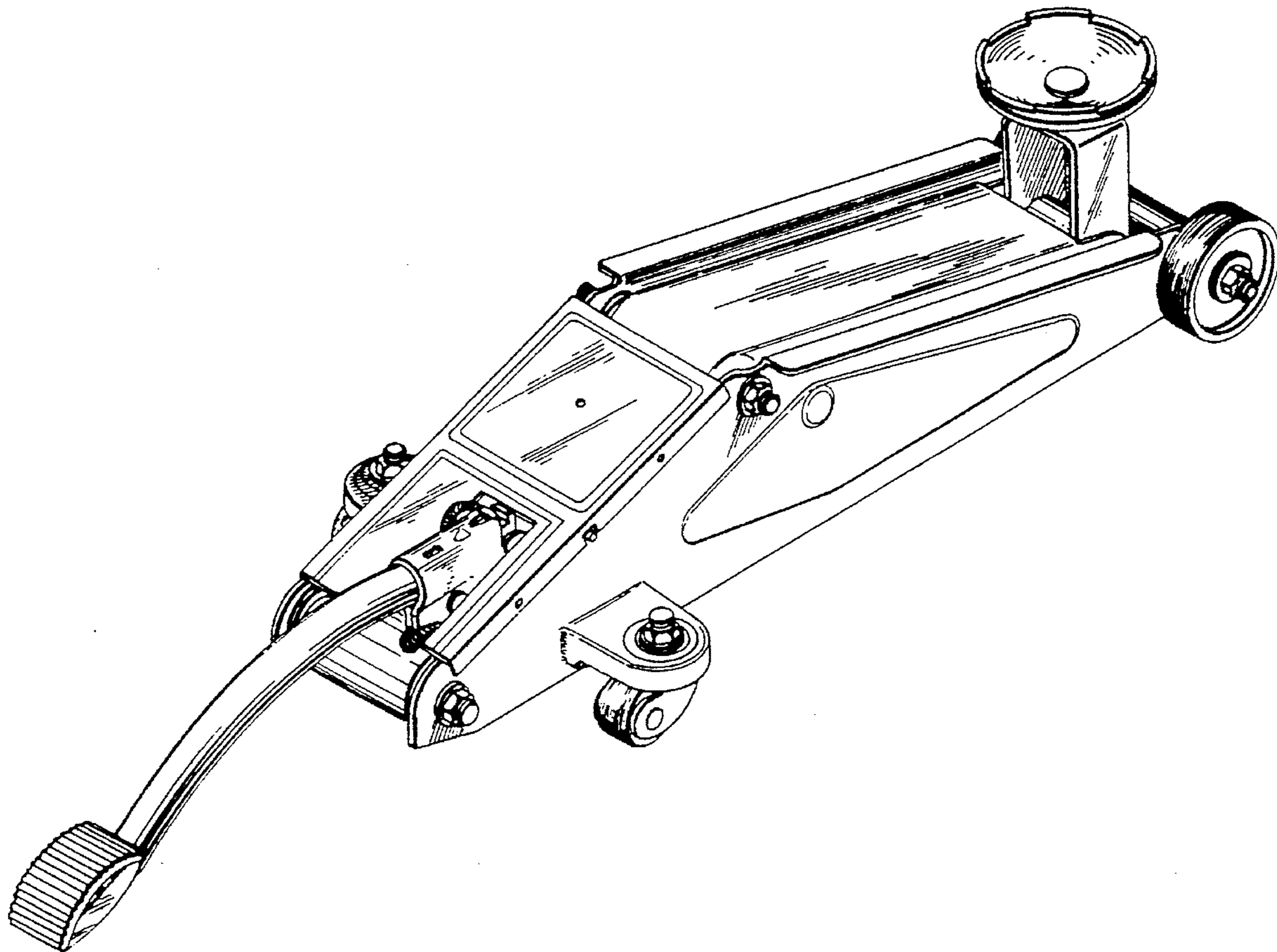
DESCRIPTION

FIG. 1 is a top, left front perspective view of a jack showing my new design;
FIG. 2 is a front elevational view thereof;
FIG. 3 is a rear elevational view thereof;
FIG. 4 is a left side elevational view thereof;
FIG. 5 is a right side elevational view thereof;
FIG. 6 is a top plan view thereof; and,
FIG. 7 is a bottom plan view thereof.

[56] **References Cited**
U.S. PATENT DOCUMENTS

D. 253,696	12/1979	Sazuki	D34/31
D. 284,417	6/1986	Yamagishi	D34/31
D. 296,598	7/1988	Hung	D34/31
D. 332,337	1/1993	Wang	D34/31

1 Claim, 4 Drawing Sheets



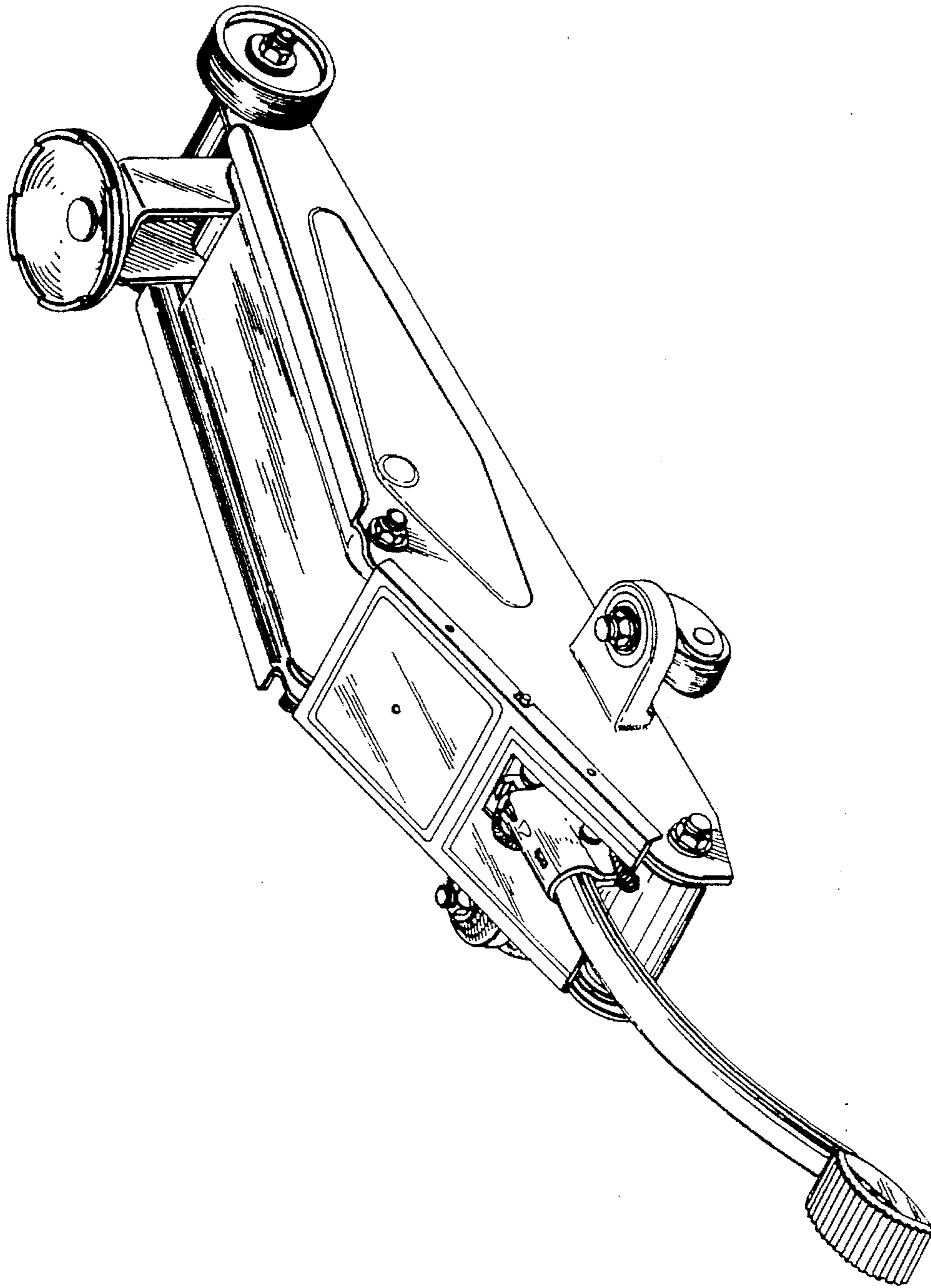


FIG. 1

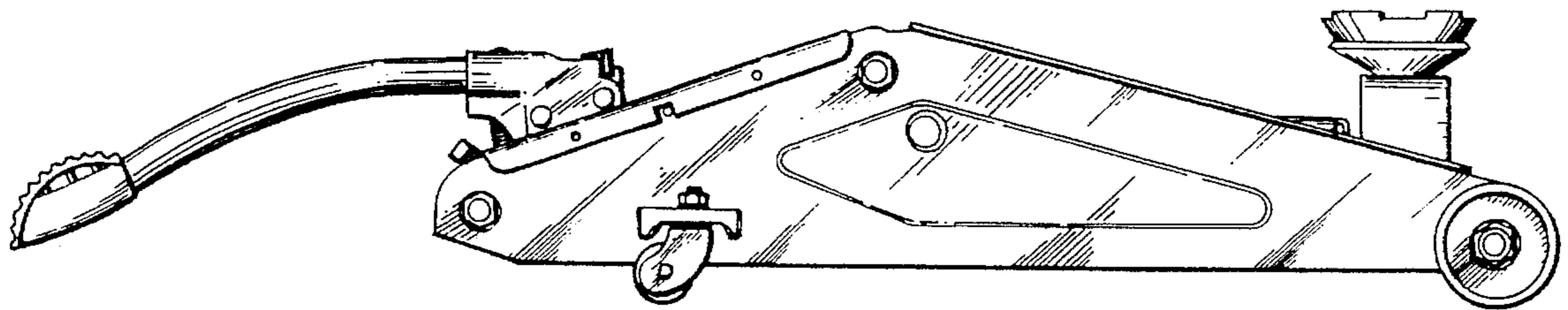


FIG. 2

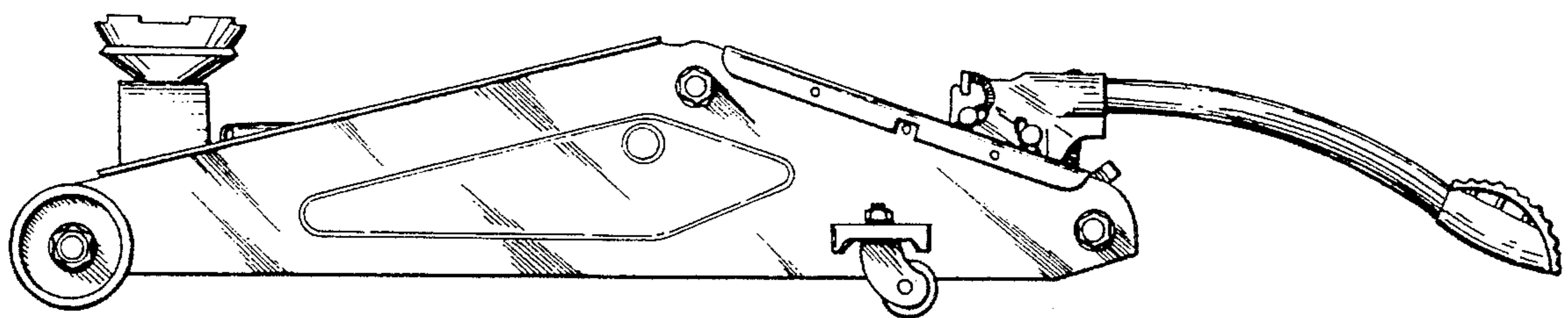


FIG. 3

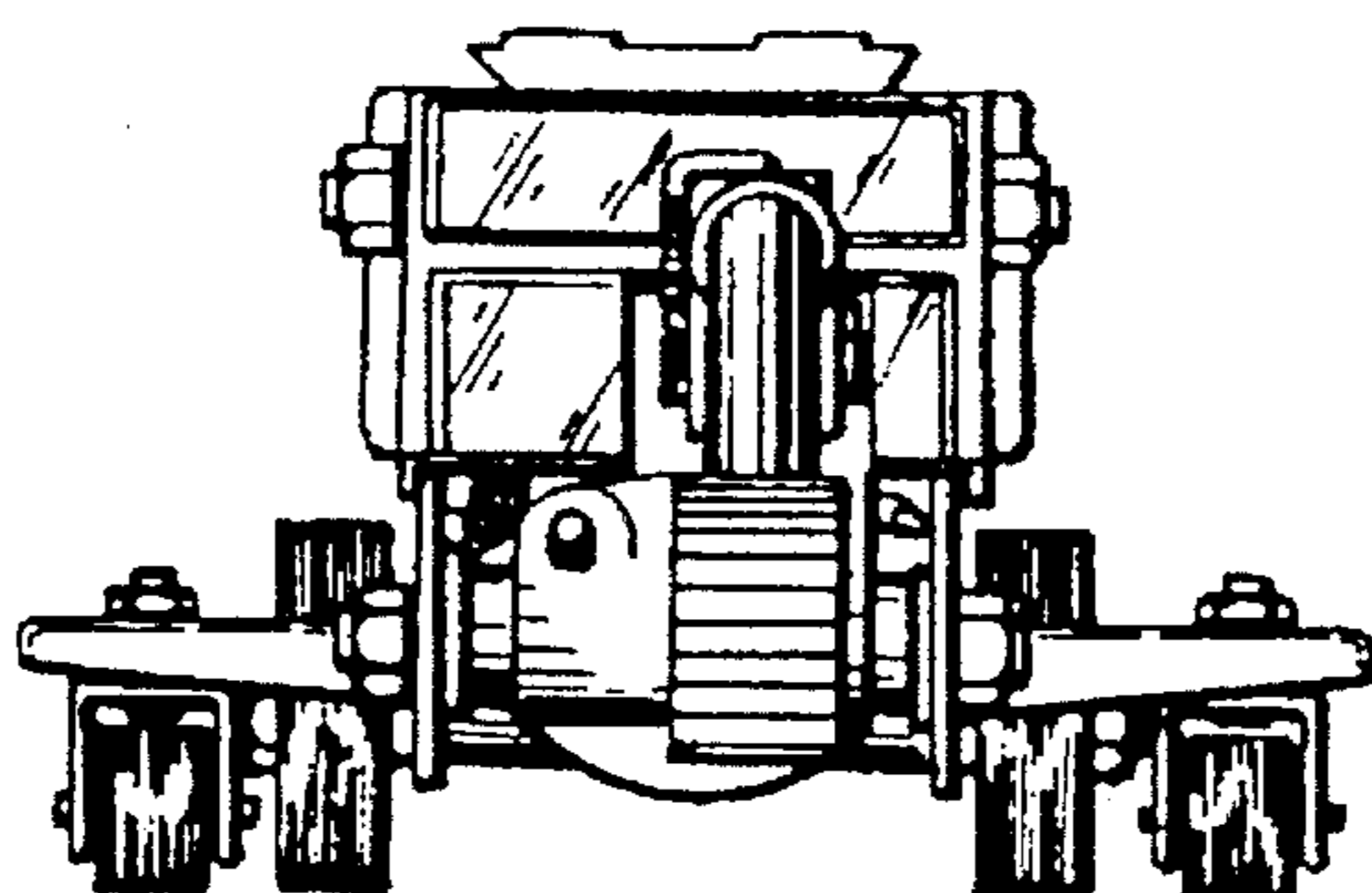


FIG. 4

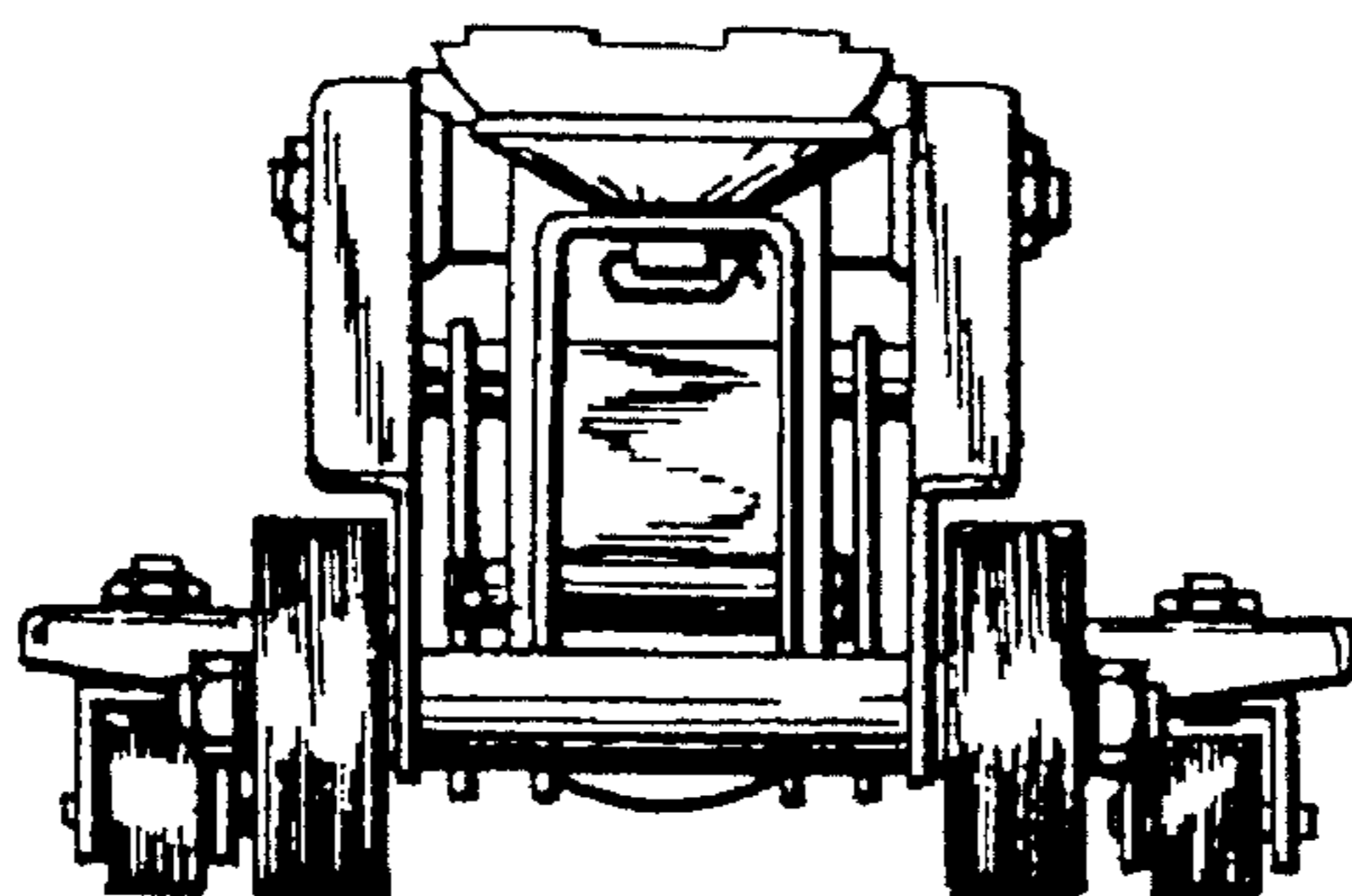


FIG. 5

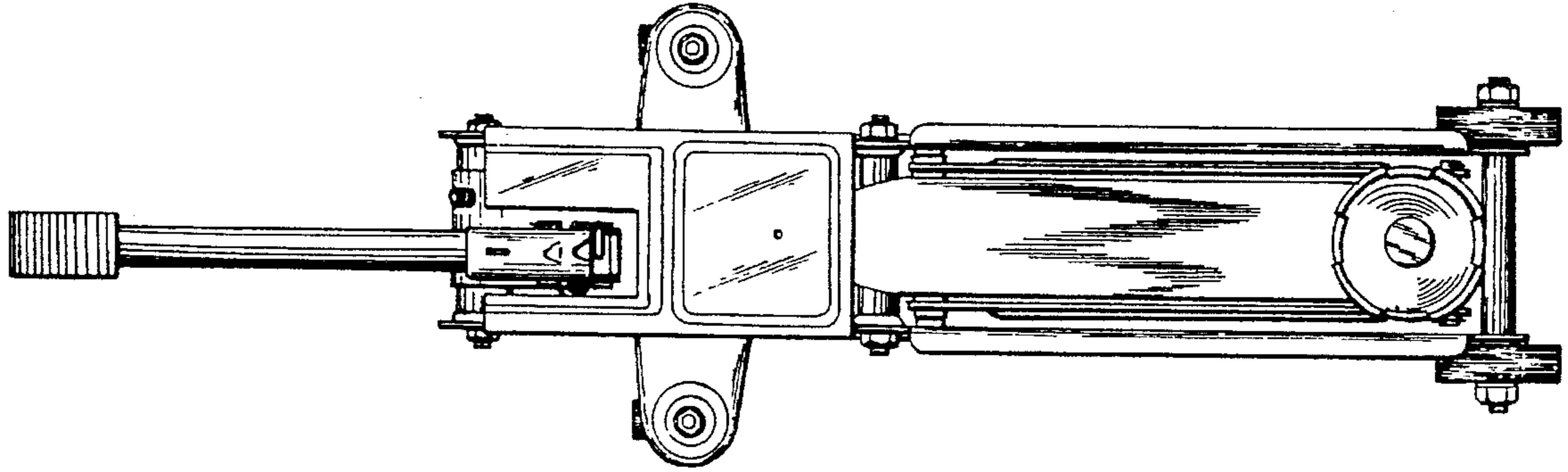


FIG. 6

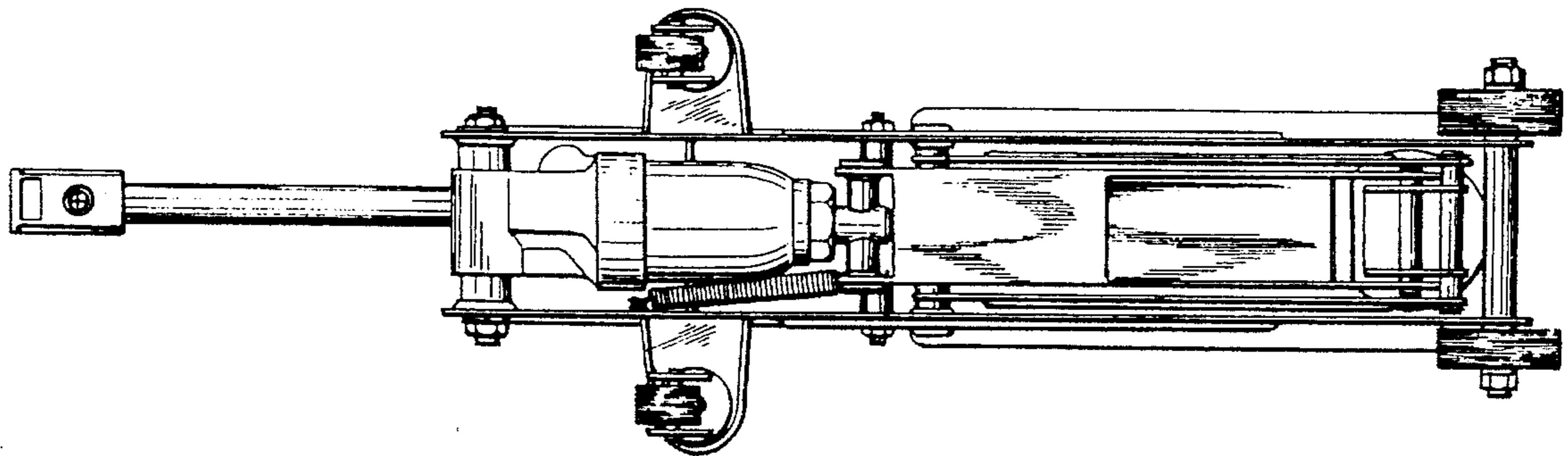


FIG. 7