



US00D364025S

# United States Patent [19]

Davis

[11] Patent Number: **Des. 364,025**

[45] Date of Patent: **\*\*Nov. 7, 1995**

[54] **COMBINED BELT AND VARIABLE OFFSET ARM PORTION OF A CONVEYOR FOR SUPPORTING POULTRY AND POULTRY PARTS**

[76] Inventor: **James F. Davis**, 11976 Bells Ferry Rd., Canton, Ga. 30114

[\*\*] Term: **14 Years**

[21] Appl. No.: **33,370**

[22] Filed: **Jan. 11, 1995**

### Related U.S. Application Data

[62] Division of Ser. No. 17,593, Jan. 18, 1994.  
[52] U.S. Cl. .... **D34/29**  
[58] Field of Search ..... D34/28, 29, 35;  
198/619; 452/169, 177, 184

### [56] References Cited

#### U.S. PATENT DOCUMENTS

D. 307,707	5/1990	Abbestam	.....	D34/29
1,008,772	12/1966	Freeman	.	
1,749,224	3/1930	Ostricher	.	
2,612,652	10/1952	Berglund	.....	452/169
2,818,600	1/1958	Zebarth	.....	452/177
3,017,027	1/1962	Brown et al.	.....	452/184
4,385,419	5/1983	Cantrell	.....	17/11
5,183,434	2/1993	Scheier	.....	452/169

5,368,520 11/1994 Koch et al. .... 452/169

### OTHER PUBLICATIONS

Drumstick & Thigh Deboning Line—Brochure—Globe Machine Company—D & D Manufacturing Co. Published Prior to Jan., 1993.

*Primary Examiner*—A. Hugo Word  
*Assistant Examiner*—Robin V. Taylor  
*Attorney, Agent, or Firm*—Louis T. Isaf

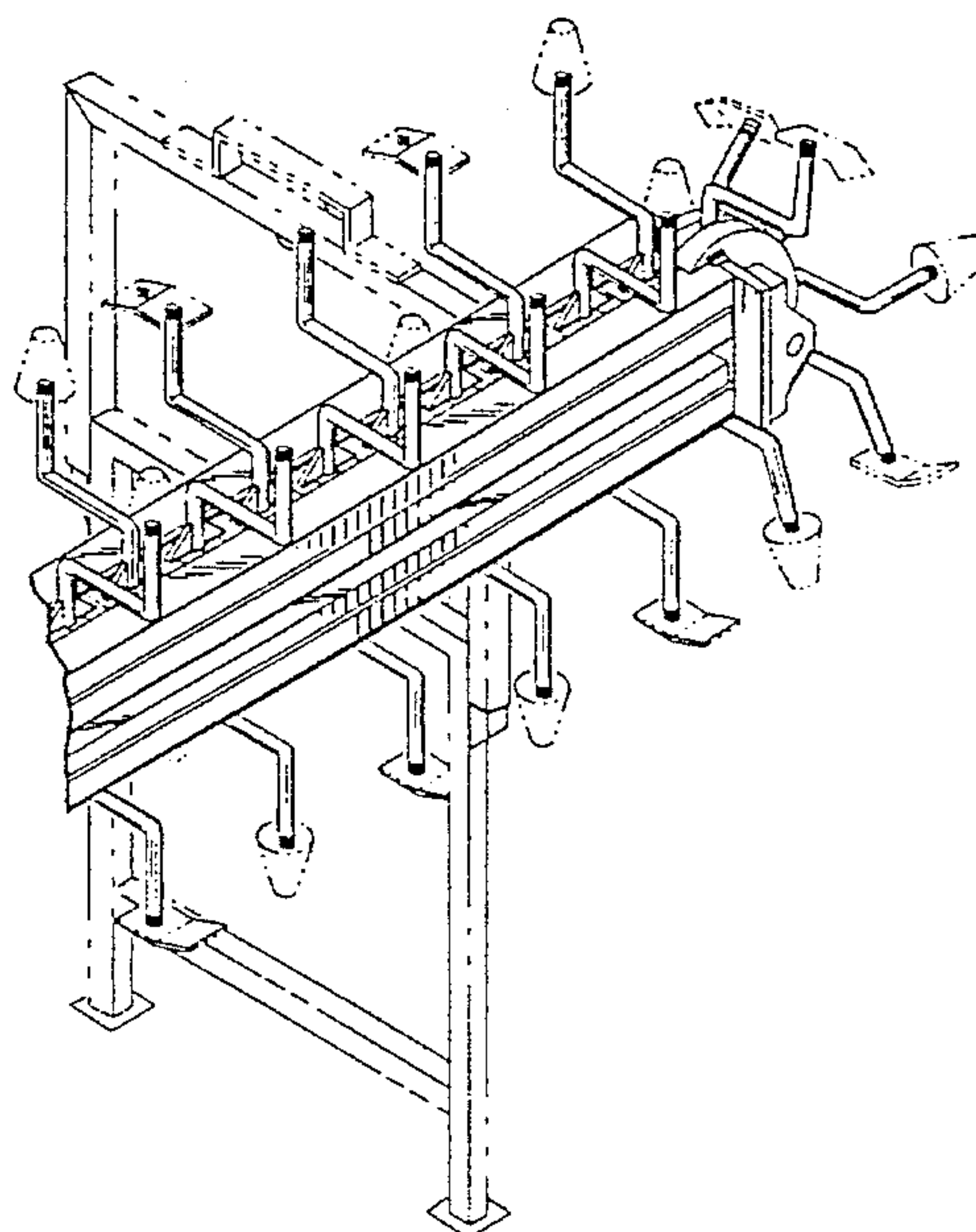
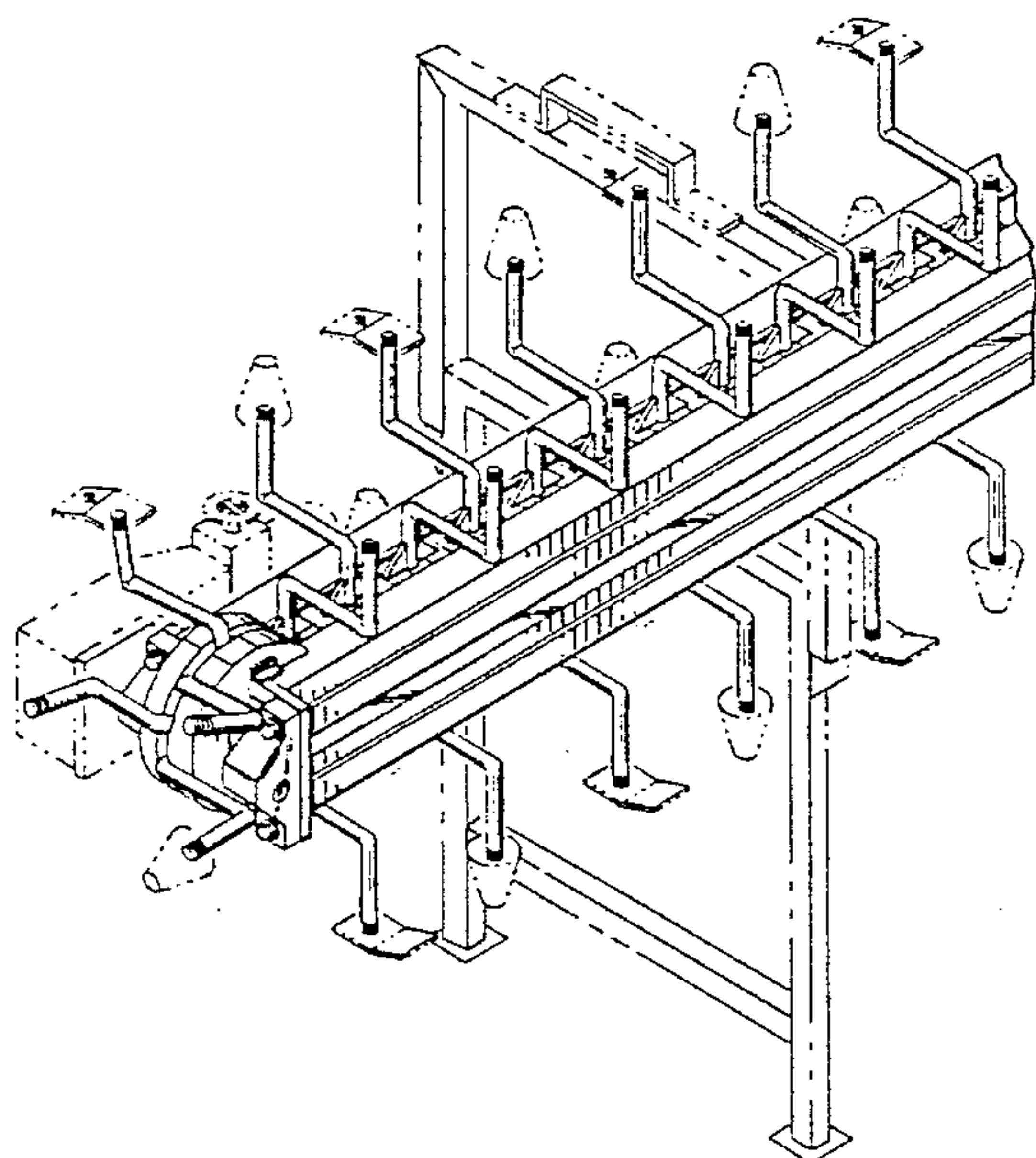
### [57] CLAIM

The ornamental design for a combined belt and variable offset arm portion of a conveyor for supporting poultry and poultry parts, as shown and described.

### DESCRIPTION

FIG. 1 is a perspective view of a combined belt and variable offset arm portion of a conveyor for supporting poultry and poultry parts, showing my new design; FIG. 2 is a side elevational view thereof, the other side being a mirror image; FIG. 3 is a top plan view thereof; and, FIG. 4 is an end view thereof, the other end being a mirror image. The broken line showing of cones, half-pads, framing, a parts conveyor, and a motor/gearbox is for illustrative purposes only and forms no part of the claimed design.

1 Claim, 3 Drawing Sheets



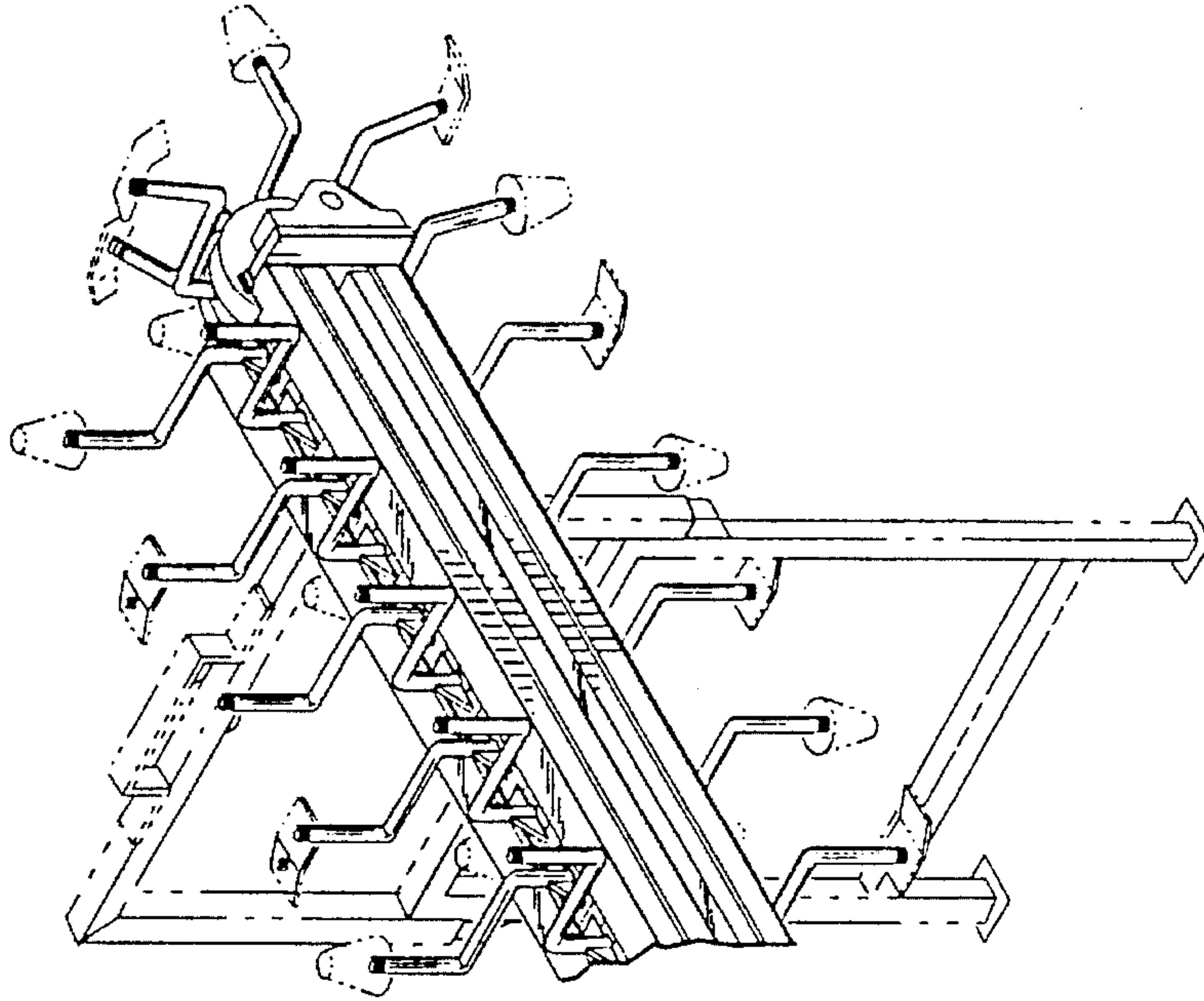
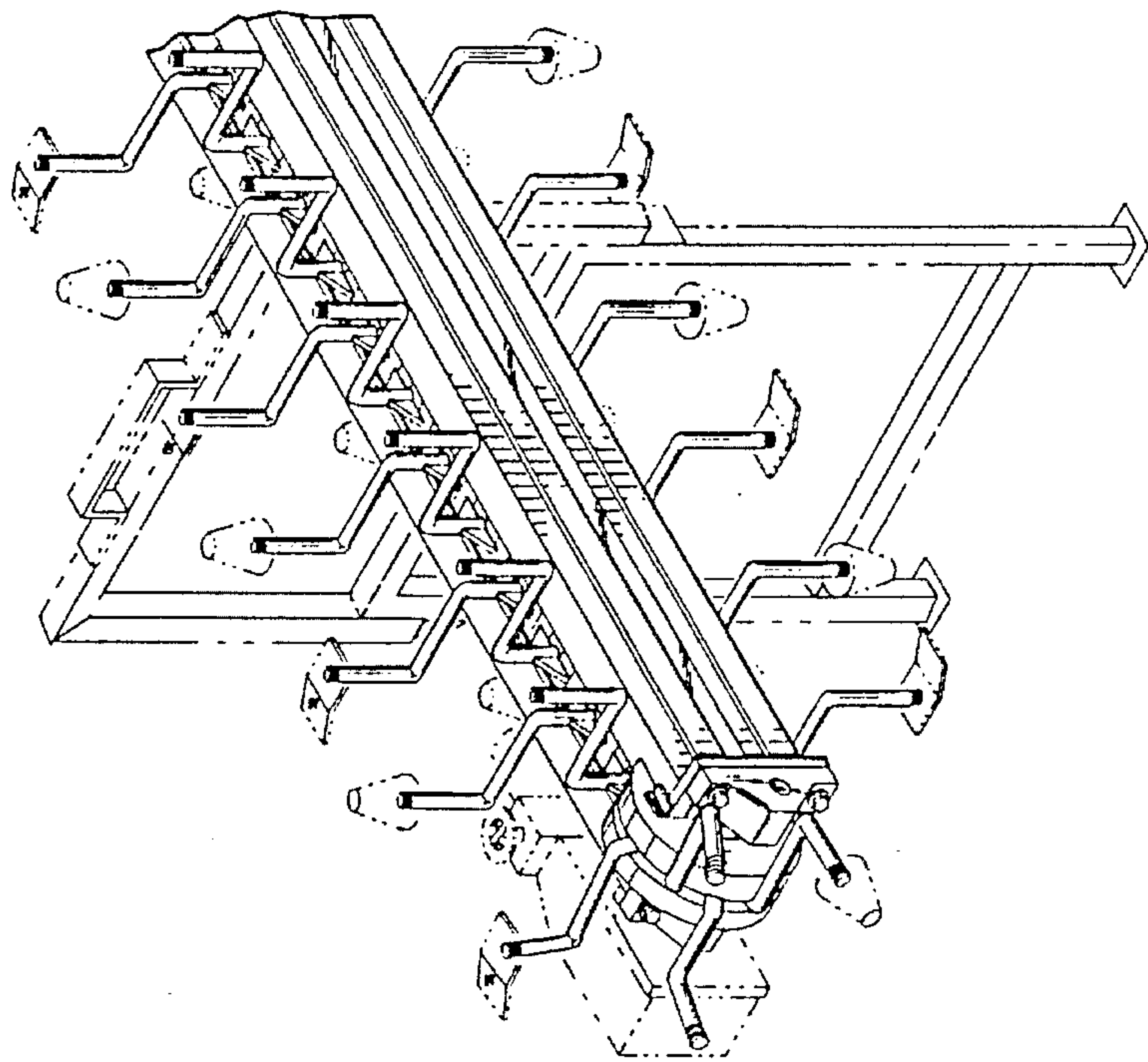


FIG. 1



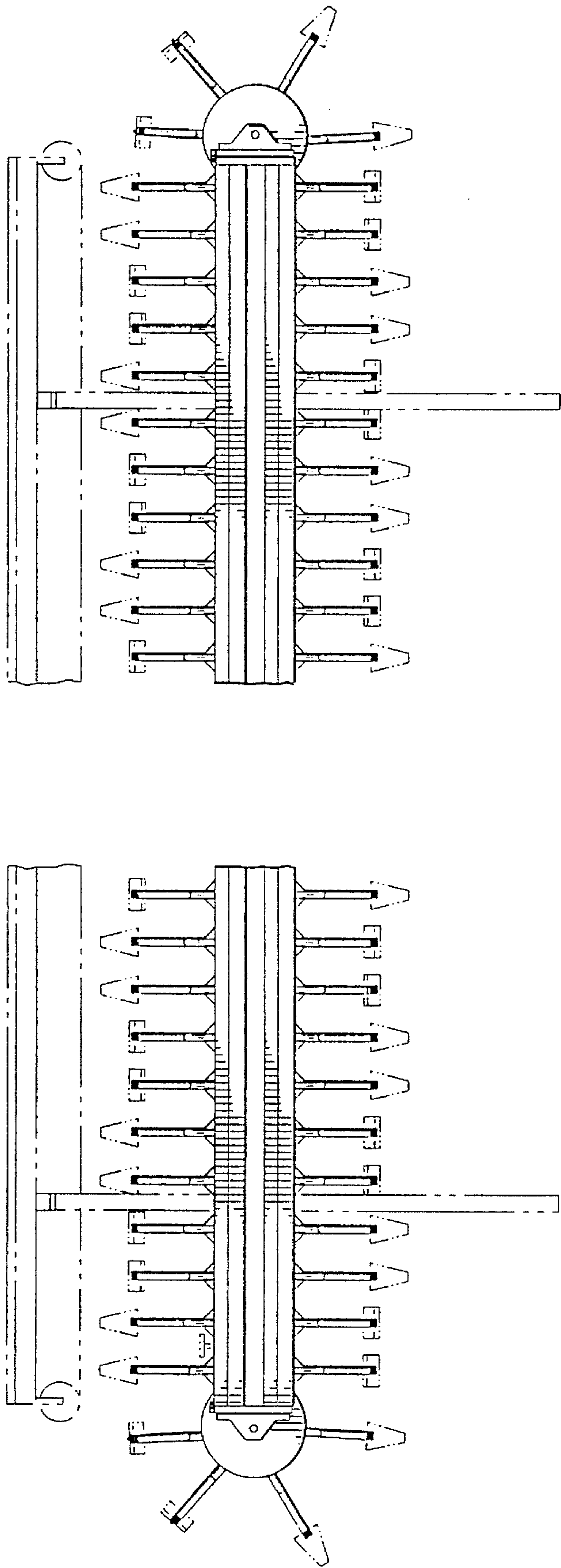


FIG. 2



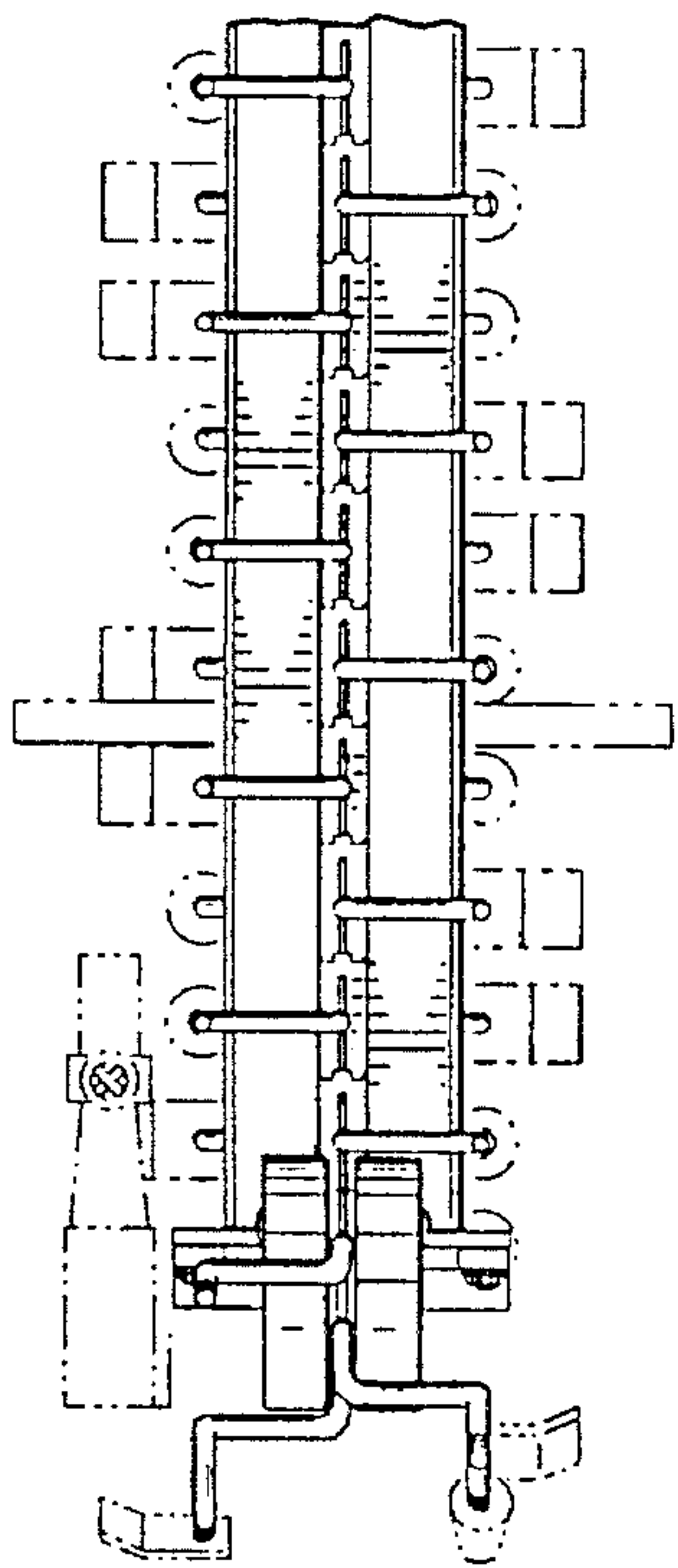
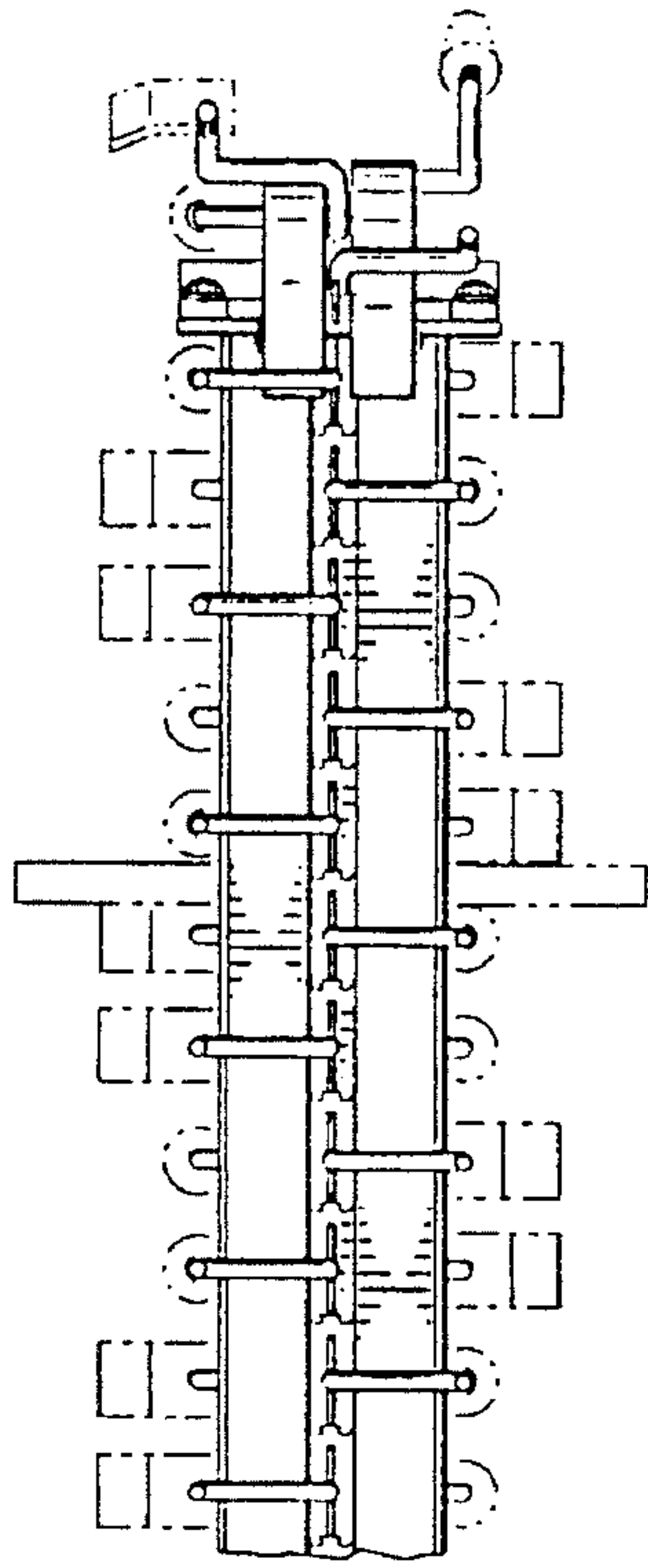


FIG. 3

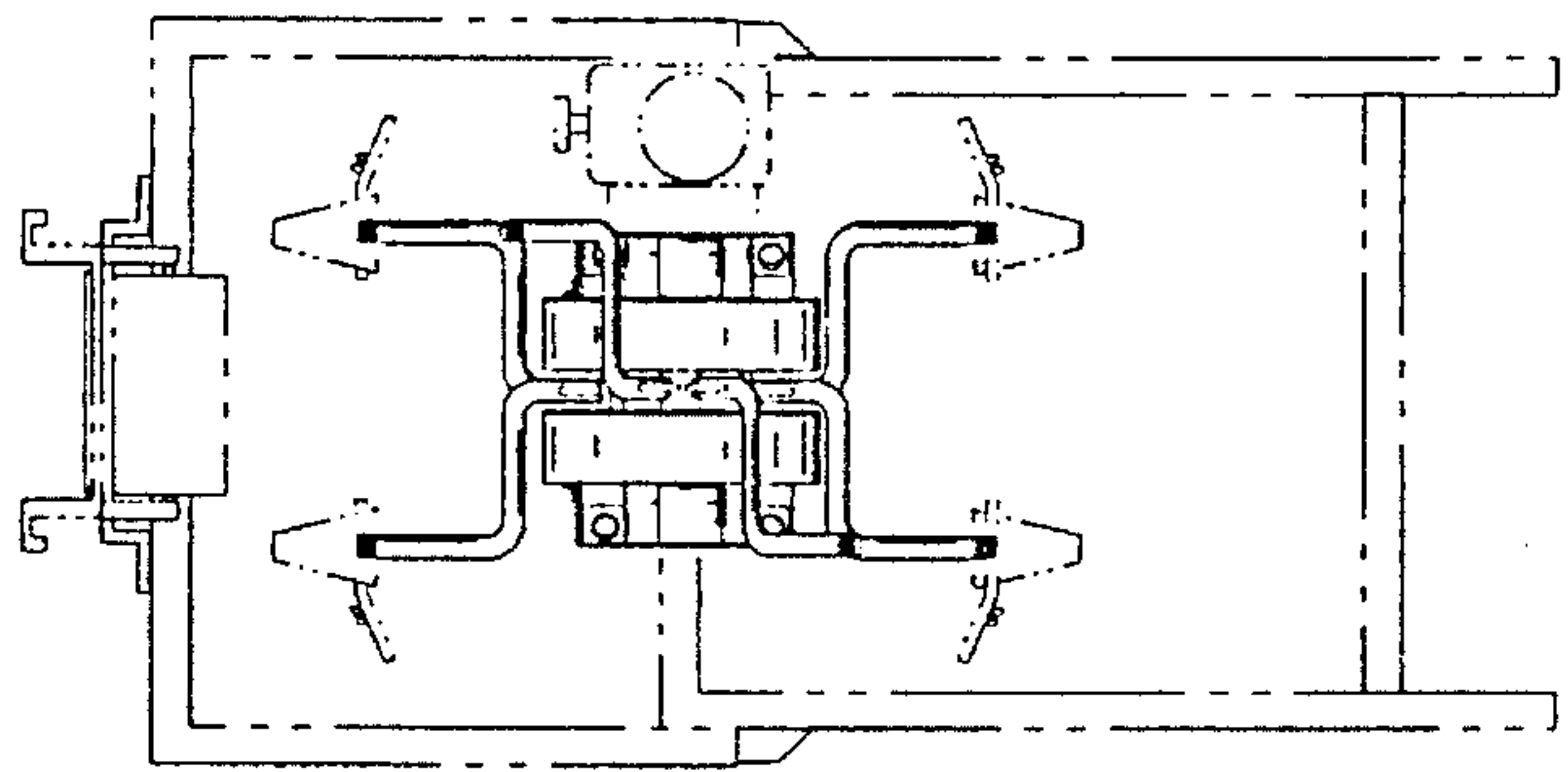


FIG. 4